



US00D959221S

(12) **United States Design Patent**
Busenitz

(10) **Patent No.:** **US D959,221 S**

(45) **Date of Patent:** **** Aug. 2, 2022**

(54) **COMBINATION CONDUIT BENDER AND MOUNTING CLAMP**

(71) Applicant: **Douglas Busenitz**, Peabody, KS (US)

(72) Inventor: **Douglas Busenitz**, Peabody, KS (US)

(**) Term: **15 Years**

(21) Appl. No.: **29/747,175**

(22) Filed: **Aug. 20, 2020**

(51) **LOC (13) Cl.** **08-05**

(52) **U.S. Cl.**

USPC **D8/32; D15/123**

(58) **Field of Classification Search**

USPC D8/32, 40, 60; D15/126, 131, 138, 139, D15/140

CPC ... B21D 7/02; B21D 7/06; B21D 7/12; B21D 7/14; B21D 7/16; B21D 7/021; B21D 7/024; B21D 7/063

See application file for complete search history.

(56) **References Cited**

U.S. PATENT DOCUMENTS

- 1,627,034 A * 5/1927 Henderson B21D 7/063
72/458
- 1,659,026 A * 2/1928 Henderson B21D 7/063
72/457
- D153,102 S * 3/1949 Benfield D8/32
- 2,571,241 A * 10/1951 Henderson B21D 7/063
72/458
- 2,754,880 A * 7/1956 Kuehlman B21D 7/024
72/154
- 2,817,986 A * 12/1957 Benfield B21D 7/063
72/459
- 2,820,504 A * 1/1958 Henderson B21D 7/063
72/406
- D188,003 S * 5/1960 Curtiss D8/32
- D229,281 S * 11/1973 Benfield et al. D8/32
- 3,785,190 A * 1/1974 Schall B21D 7/024
72/149

- 3,906,778 A * 9/1975 Crouse B21D 7/063
72/459
- 4,009,602 A * 3/1977 Linquist B21D 7/063
72/459
- 4,052,881 A * 10/1977 Mount B21D 7/063
72/459
- 4,196,610 A * 4/1980 Chilton B21D 7/063
403/97
- 4,269,056 A * 5/1981 Kozinski B21D 7/063
72/459

(Continued)

FOREIGN PATENT DOCUMENTS

WO WO-2019070434 A1 * 4/2019 B21D 7/063

Primary Examiner — Patricia A Palasik

(74) *Attorney, Agent, or Firm* — Cramer Patent & Design, PLLC; Aaron R. Cramer

(57) **CLAIM**

The ornamental design for a combination conduit bender and mounting clamp, as shown and described.

DESCRIPTION

FIG. 1 is a perspective top front right view of a combination conduit bender and mounting clamp with the mounting clamp shown in exploded view for clarity purposes showing my new design;

FIG. 2 is a perspective top rear left view thereof;

FIG. 3 is a front elevation view thereof;

FIG. 4 is a rear elevation view thereof;

FIG. 5 is a right elevation view thereof;

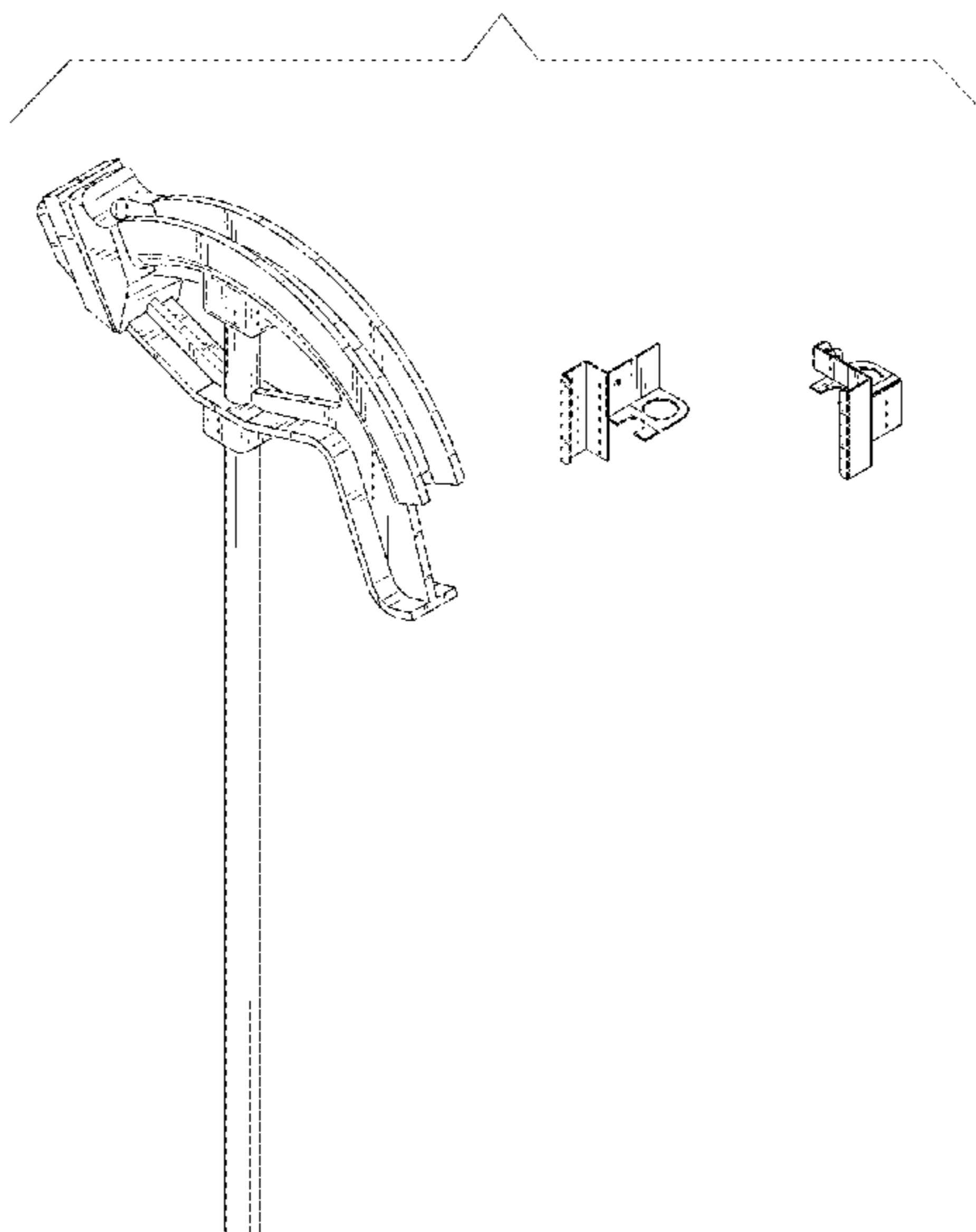
FIG. 6 is a left elevation view thereof;

FIG. 7 is a top plan view thereof;

FIG. 8 is a bottom plan view thereof; and,

FIG. 9 is a perspective top front right view of the combination conduit bender and mounting clamp with the mounting clamp shown as interconnected and installed on a shaft element of the conduit bender.

1 Claim, 9 Drawing Sheets



(56)

References Cited

U.S. PATENT DOCUMENTS

4,442,695 A *	4/1984	Gardner	H02G 1/00	72/31.1	6,880,794 B1	4/2005	Kahn	
4,452,064 A *	6/1984	Custin	B21D 7/14	72/459	7,055,362 B2 *	6/2006	Widmayer B21D 7/063
4,622,837 A *	11/1986	Bergman	B21D 7/063	33/334				72/458
D326,395 S *	5/1992	Aulgur	D8/32		7,059,448 B2	6/2006	Beechler	
5,727,419 A *	3/1998	Walsten	B21D 7/063	16/422	7,757,537 B1 *	7/2010	Hartranft B21D 7/063
D410,658 S *	6/1999	Walsten	D15/123					72/458
5,927,141 A *	7/1999	Walsten	B21D 7/14	72/459	8,191,684 B1	6/2012	Dammann	
6,264,151 B1	7/2001	Schiller				8,528,696 B2	9/2013	Astor	
6,487,889 B1 *	12/2002	Bates	B21D 7/063	72/459	10,441,984 B1	10/2019	Brochman	
6,729,439 B1	5/2004	Zlatis et al.				D907,980 S *	1/2021	Brochman D8/69
6,766,881 B2	7/2004	Carty				D926,003 S *	7/2021	Brochman D15/123
6,824,115 B1	11/2004	Batson				11,253,896 B2 *	2/2022	Brochman B21D 7/063
						2003/0233859 A1 *	12/2003	Luebke B21D 7/063
									72/458
						2004/0182129 A1 *	9/2004	Hopwood B21D 7/063
									72/459
						2017/0274437 A1 *	9/2017	Klinger B21D 7/14
						2018/0272404 A1 *	9/2018	Williams B21D 7/063
						2020/0282505 A1 *	9/2020	Benton B23Q 17/2471
						2021/0031254 A1 *	2/2021	Pearson B21D 7/063

* cited by examiner

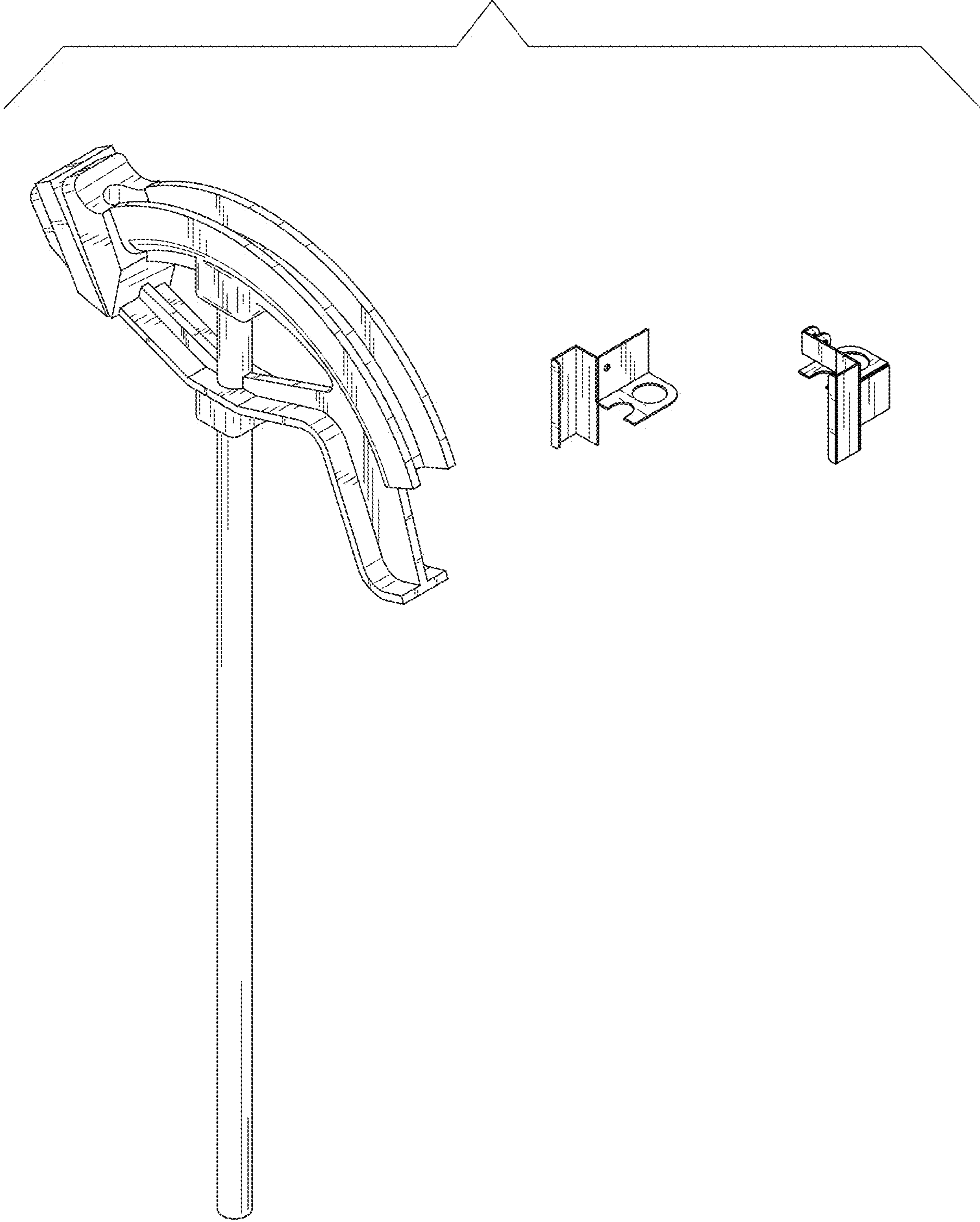


FIG. 1

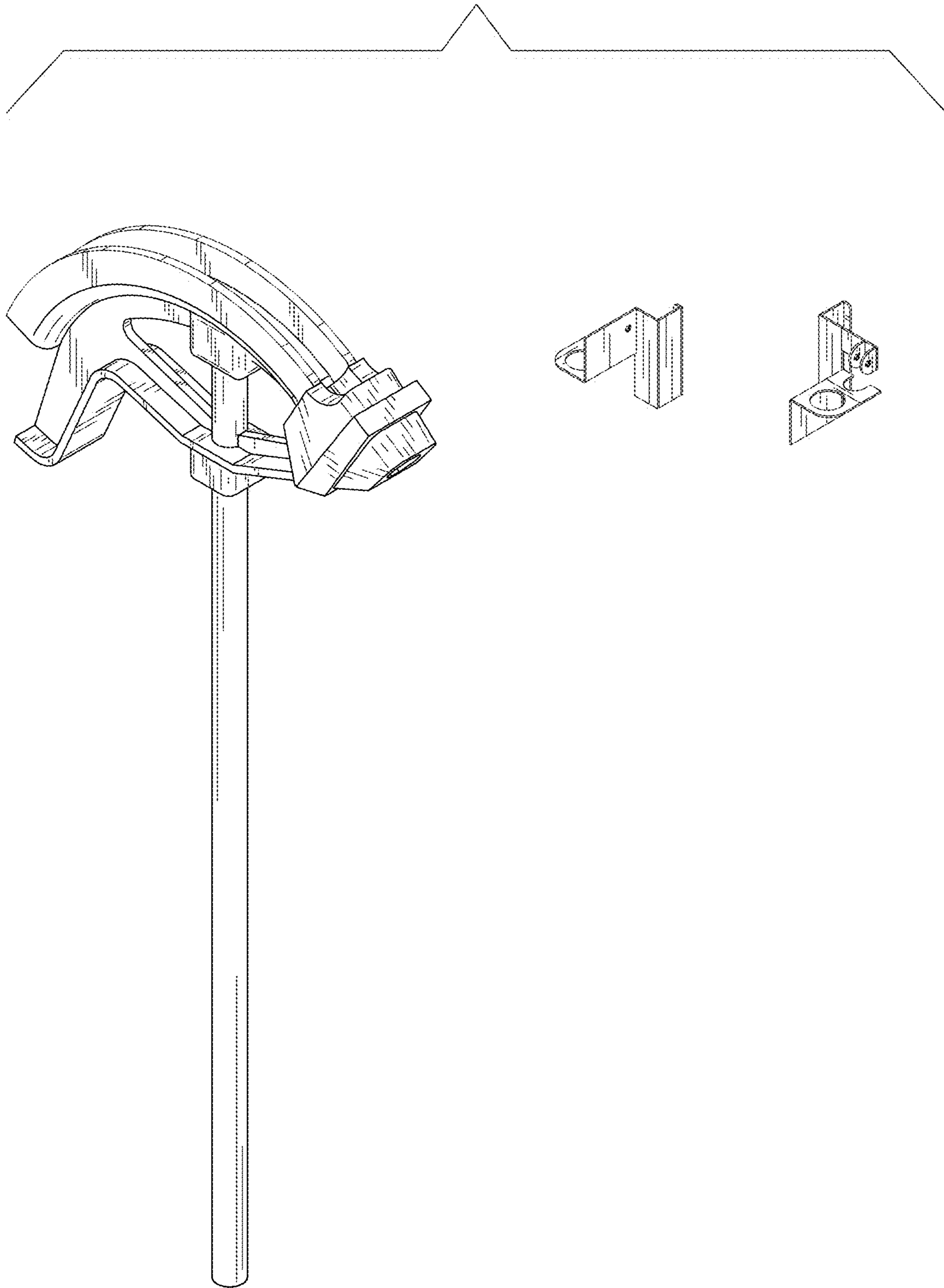


FIG. 2

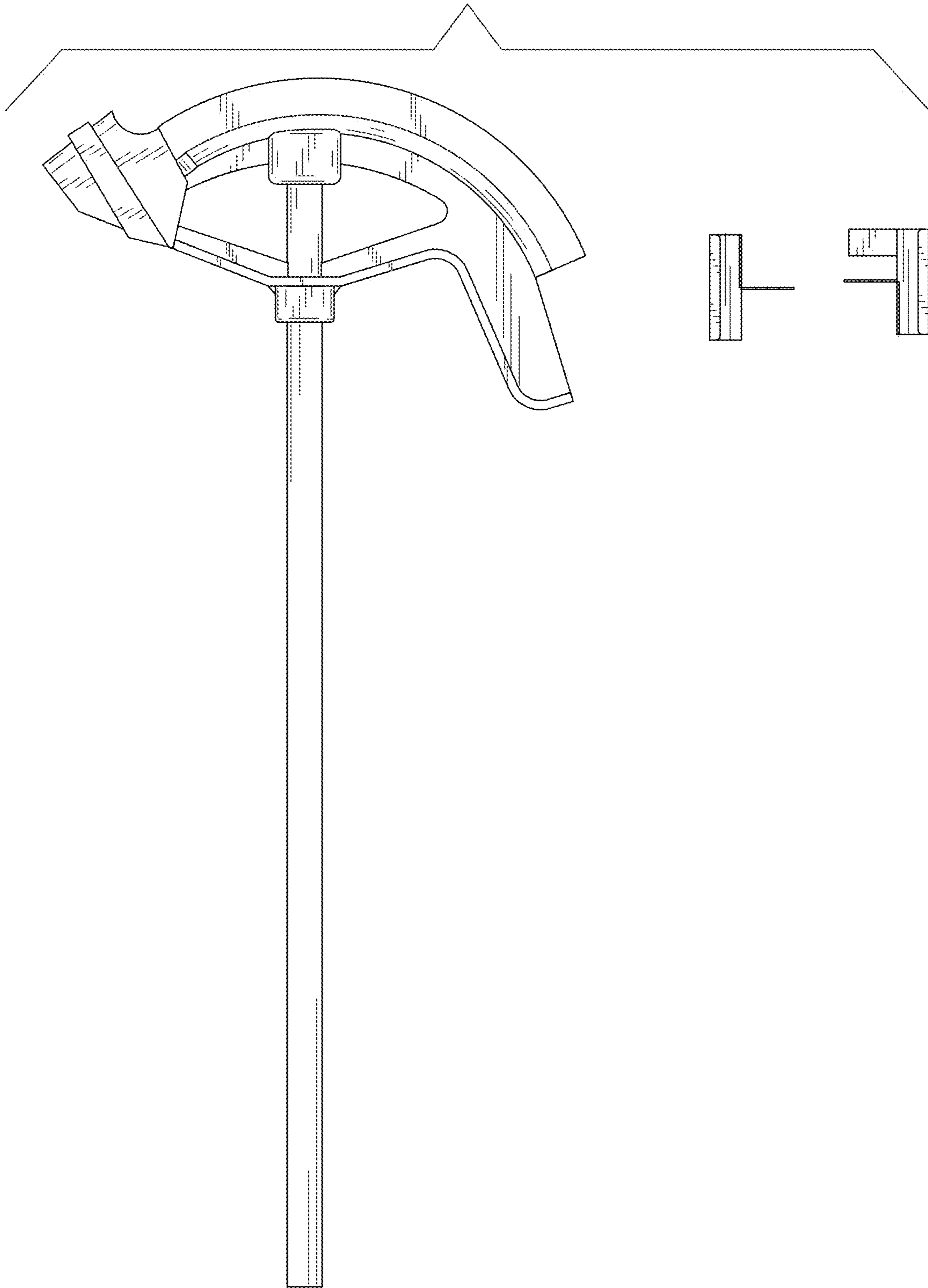


FIG. 3

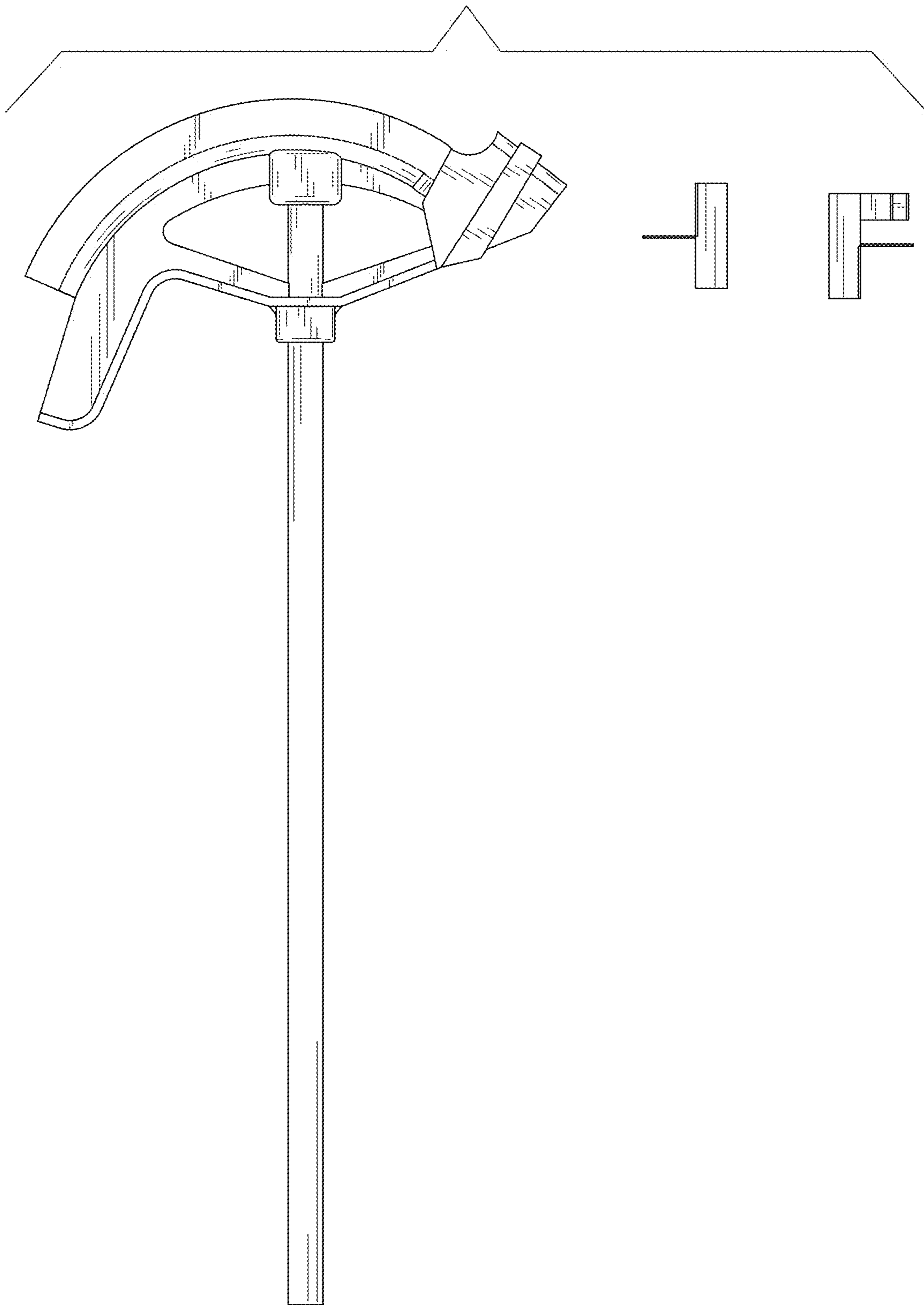


FIG. 4

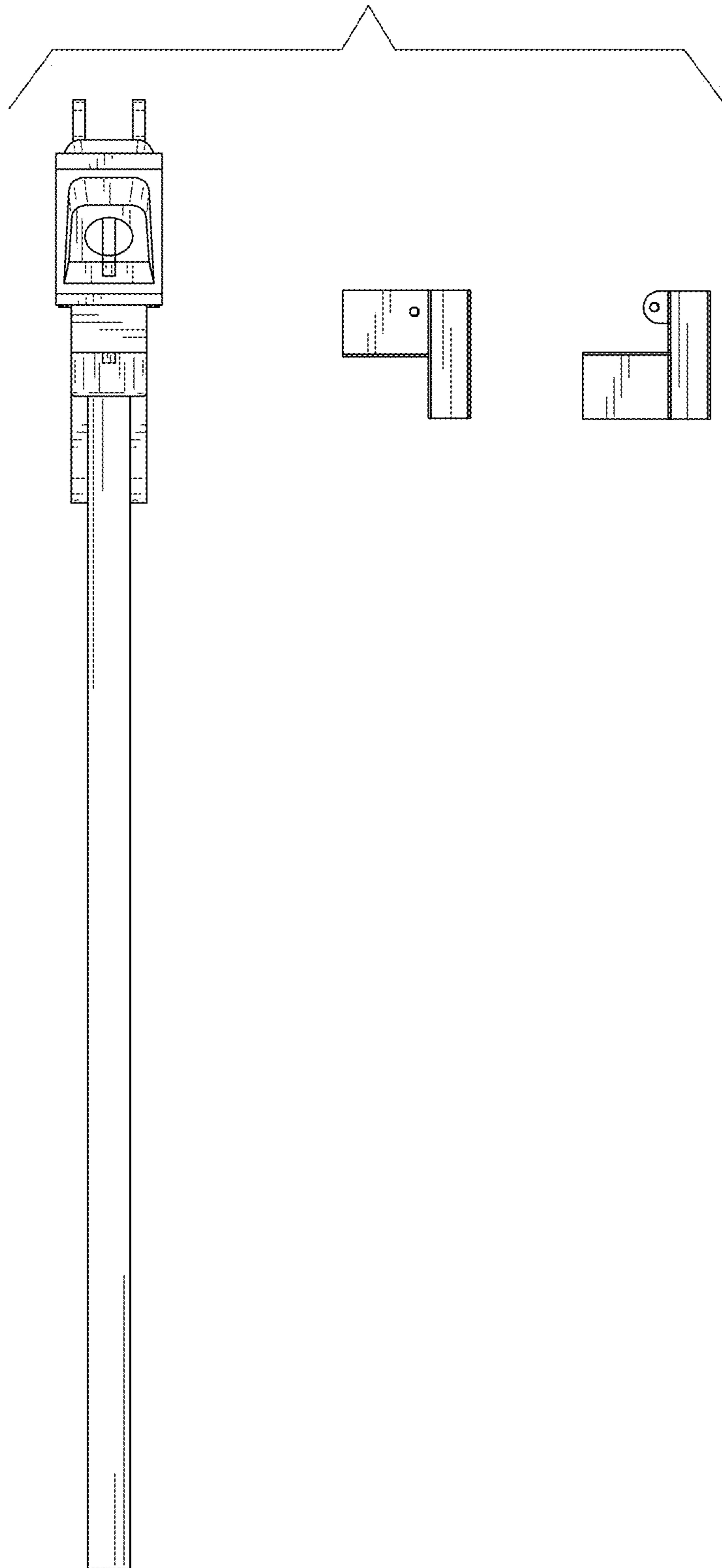


FIG. 5

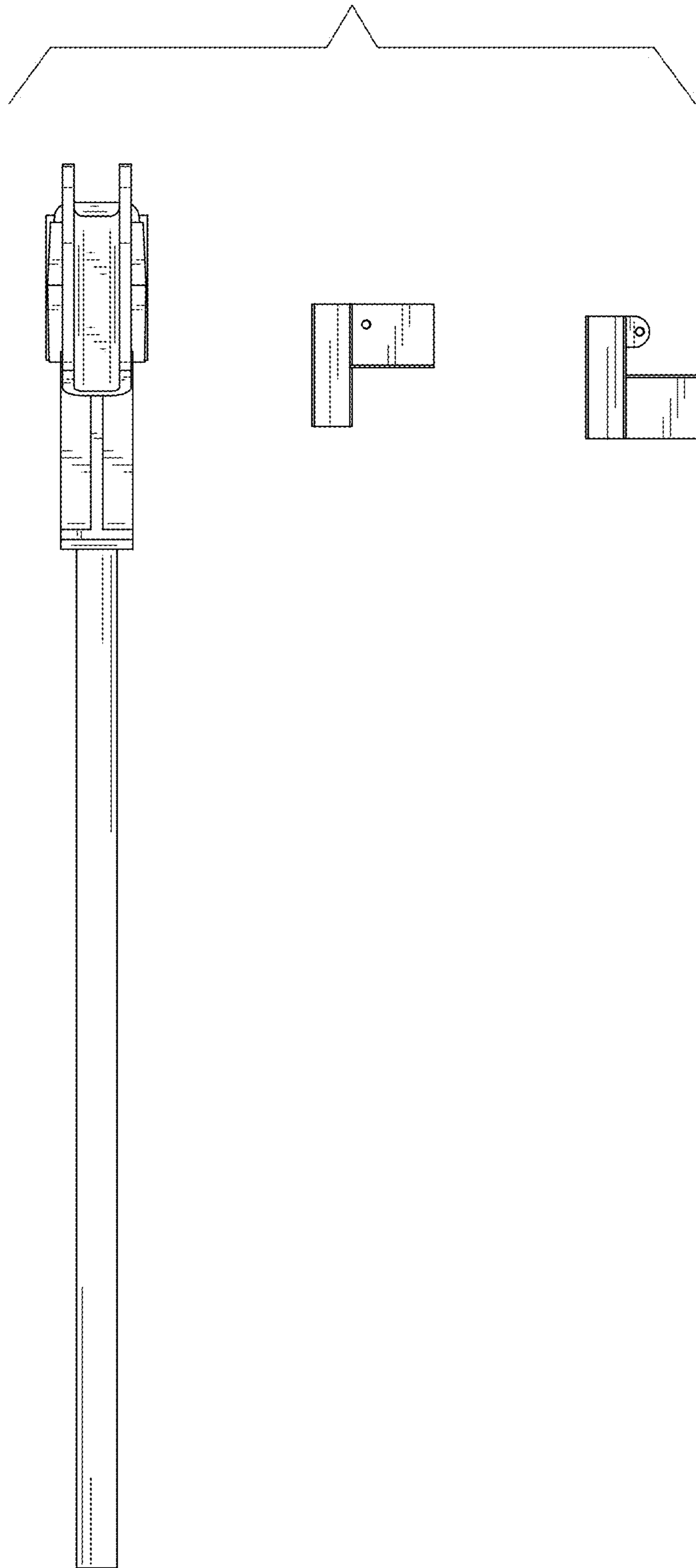


FIG. 6

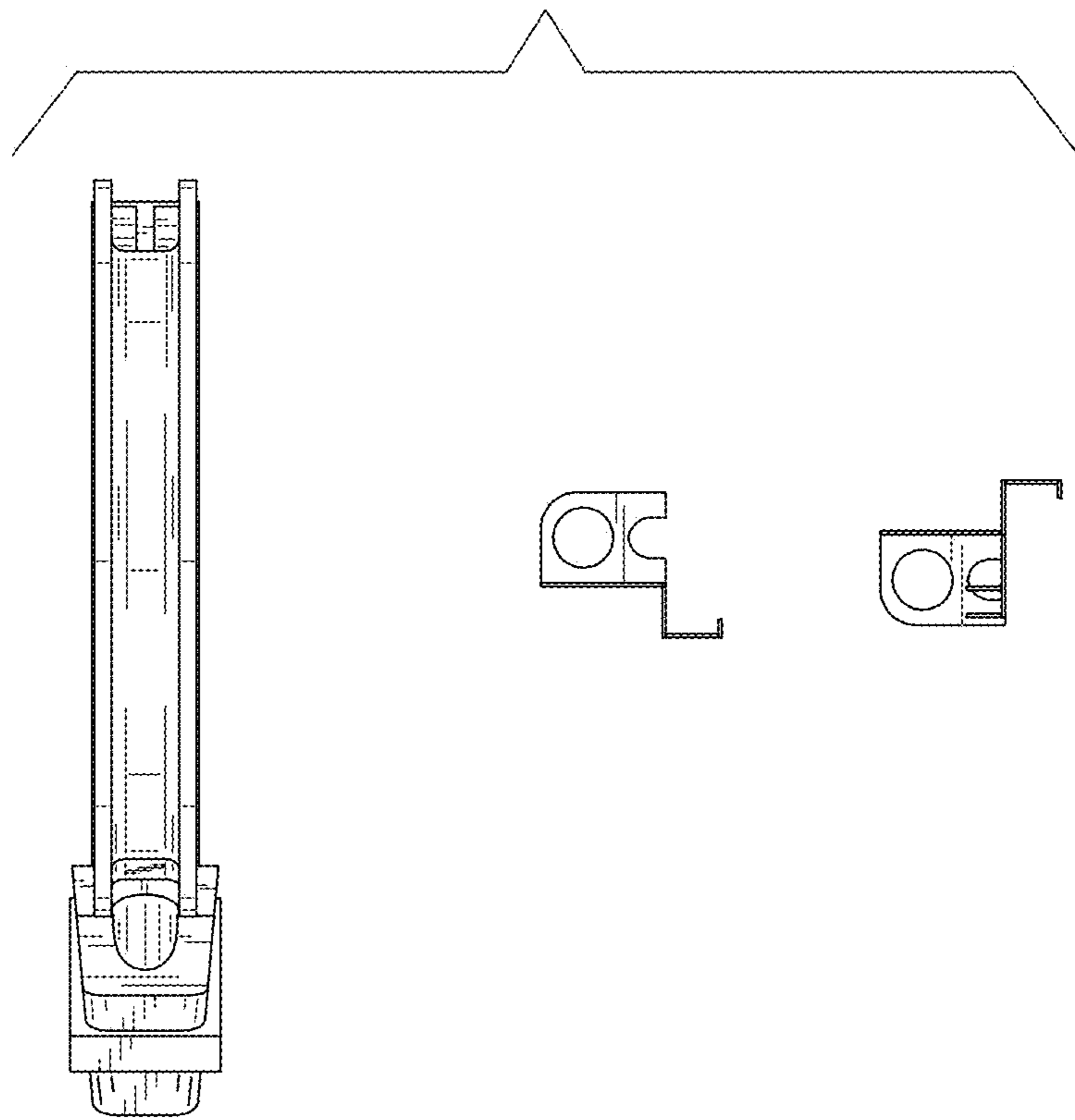


FIG. 7

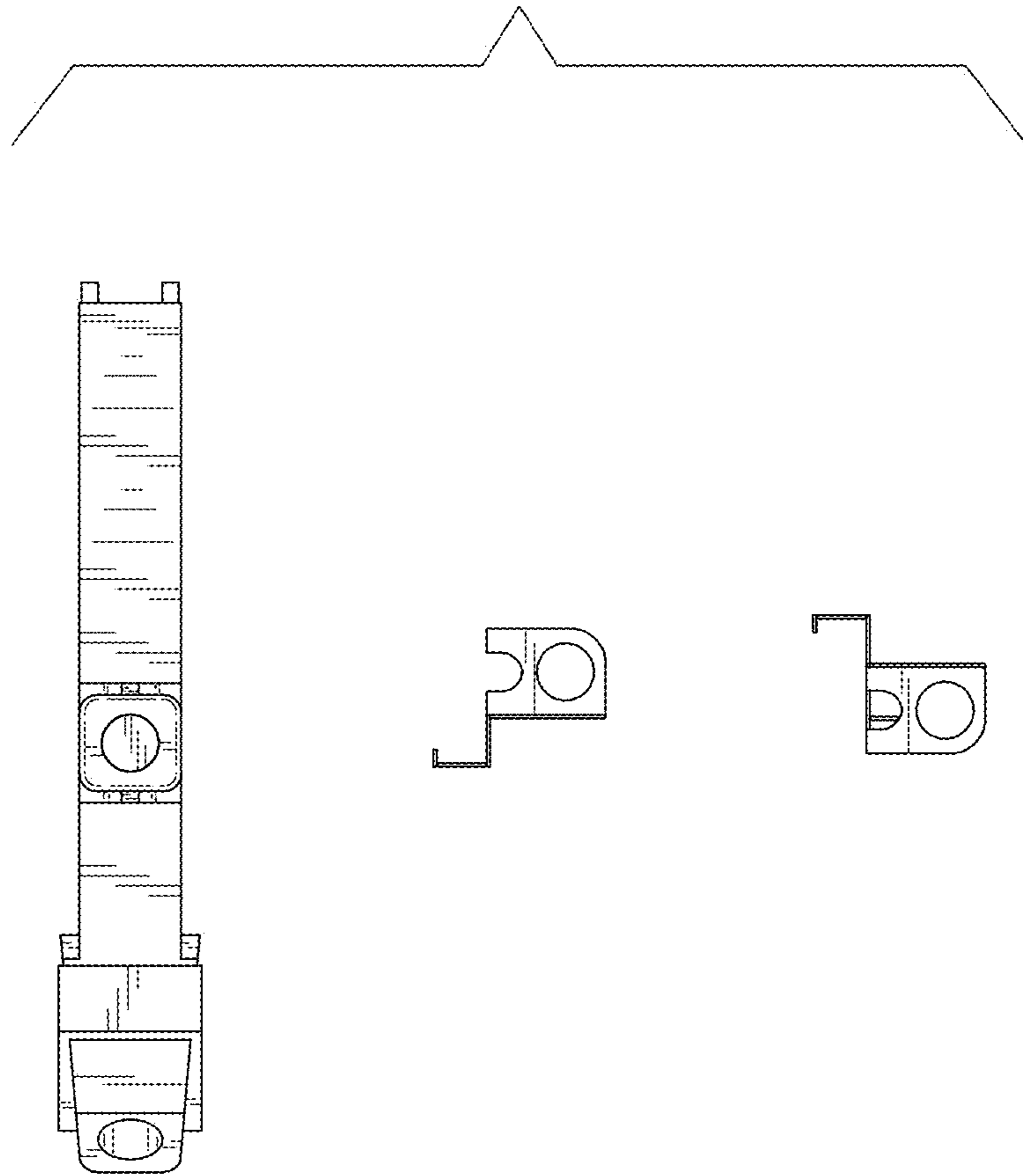


FIG. 8

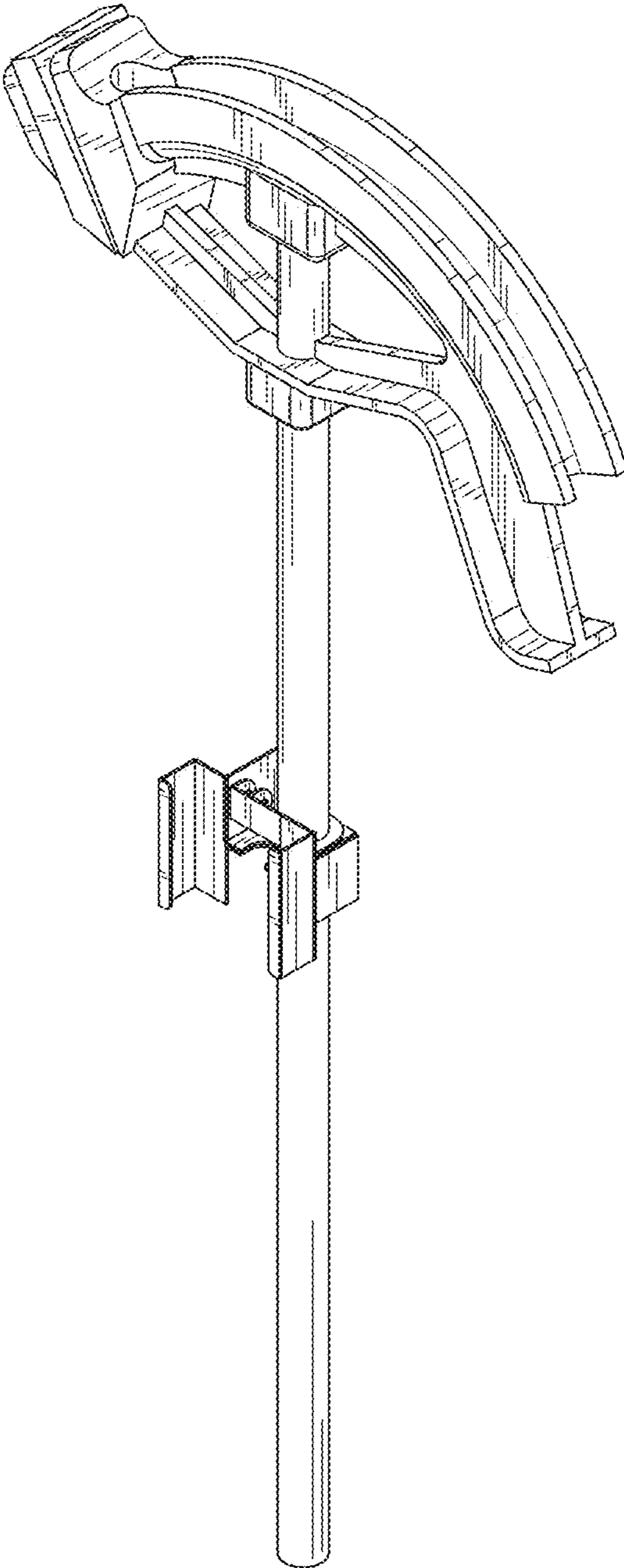


FIG. 9