



US00D959220S

(12) **United States Design Patent**
Healey

(10) **Patent No.:** **US D959,220 S**

(45) **Date of Patent:** **** Aug. 2, 2022**

(54) **GAS TORCH**

(71) Applicant: **Robert W. Healey**, Chouteau, OK (US)

(72) Inventor: **Robert W. Healey**, Chouteau, OK (US)

(**) Term: **15 Years**

(21) Appl. No.: **29/689,225**

(22) Filed: **Apr. 29, 2019**

(51) **LOC (13) Cl.** **08-05**

(52) **U.S. Cl.**

USPC **D8/30**; D8/29.1; D15/144

(58) **Field of Classification Search**

USPC D8/29, 29.1, 29.2, 30; D15/122, 144,
D15/144.1, 144.2; D23/90.1

CPC . F23Q 13/04; F23Q 2/28; F23Q 2/287; F23D
14/34; F23D 14/52

See application file for complete search history.

(56) **References Cited**

U.S. PATENT DOCUMENTS

D284,545 S *	7/1986	Nelson	D8/30
D284,554 S *	7/1986	Nelson	D8/30
D465,978 S *	11/2002	Miyanaga	D8/30
D477,507 S *	7/2003	Lin	D8/30
D608,856 S *	1/2010	Dammkoehler	D23/223
D615,834 S *	5/2010	Netzler	D8/29.1
D615,835 S *	5/2010	Netzler	D8/29.1
D813,627 S *	3/2018	Tsai	D8/30
D820,057 S *	6/2018	Tsai	D8/30
D838,301 S *	1/2019	Prikler	D15/144
D844,405 S *	4/2019	Shen	D8/29.1
D847,232 S *	4/2019	Zahriya	D15/144
D861,429 S *	10/2019	Lin	D7/416
D867,413 S *	11/2019	Tsai	D15/144

D867,842 S *	11/2019	Shimazu	D8/29.1
D868,857 S *	12/2019	Wu	D15/144
2020/0132298 A1 *	4/2020	Healey	F23D 14/38

OTHER PUBLICATIONS

Bersa Firestorm .380, posted on wbtguns.com, first posted Sep. 2015, no production date posted, [online], [site visited Nov. 30, 2020], Available online, URL: <https://wbtguns.com/semi-auto-pistols/bersa-firestorm-california-legal-380/> (Year: 2015).*

(Continued)

Primary Examiner — Michael C Stout

Assistant Examiner — Fritzgerald L Butac

(74) *Attorney, Agent, or Firm* — Terry I. Watt; Fellers, Snider, Blankenship, Bailey & Tppens

(57) **CLAIM**

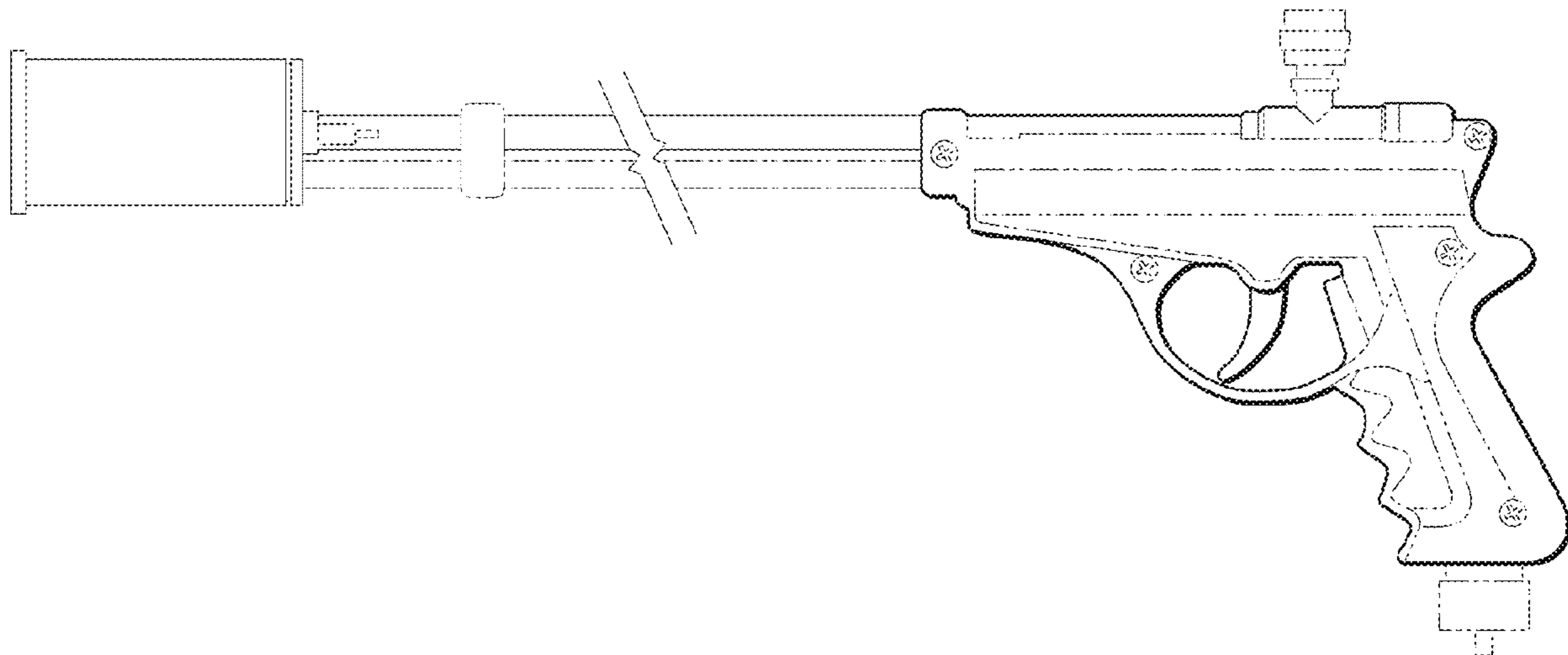
I claim the ornamental design for the gas torch, as shown and described.

DESCRIPTION

FIG. 1 is a left side view of an embodiment;
FIG. 2 is top plan view of the embodiment of FIG. 1;
FIG. 3 is a bottom plan view of the embodiment of FIG. 1;
FIG. 4 is a right side view of the embodiment of FIG. 1;
FIG. 5 is a rear view of the embodiment of FIG. 1 as seen from the right end; and,
FIG. 6 is a front view of the embodiment of FIG. 1 as seen from the left end.

The broken lines show portions of a gas torch which form no parts of the claimed design. The parallel “zig-zag” lines seen in FIGS. 1-4 are meant to represent a symbolic break in the length of the claimed design. The area in between the “zig-zag” parallel lines forms no part of the claimed design.

1 Claim, 2 Drawing Sheets



(56)

References Cited

OTHER PUBLICATIONS

JGG Python Revolver Gun Shaped Lighter, posted on desertcart.com.kw; no posted date given, no production date given, [online],[site visited Dec. 22, 2020], available from Internet, URL: <https://www.desertcart.com.kw/products/101092665-jgg-python-revolver-gun-shaped-lighter-silver> (Year: 2020).*

508 Metal Gun Lighter with Hoster, posted on amazon.in, posted May 15, 2019, no production date posted, [online], [site visited Dec. 22, 2020], available from internet, URL: <https://www.amazon.in/dp/B01NBSEY9R/?tag=justdialcom-21> (Year: 2019).*

Not a Flamethrower, posted on coolthings.com; posted Jan. 29, 2018, produced 2018, [online], [site visited Dec. 22, 2020], available from internet, URL: <https://www.coolthings.com/the-boring-company-flamethrower-elon-musk/> (Year: 2018).*

* cited by examiner

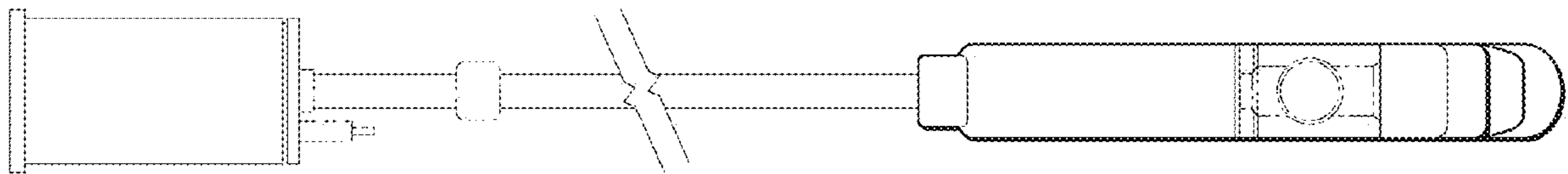


Fig. 2

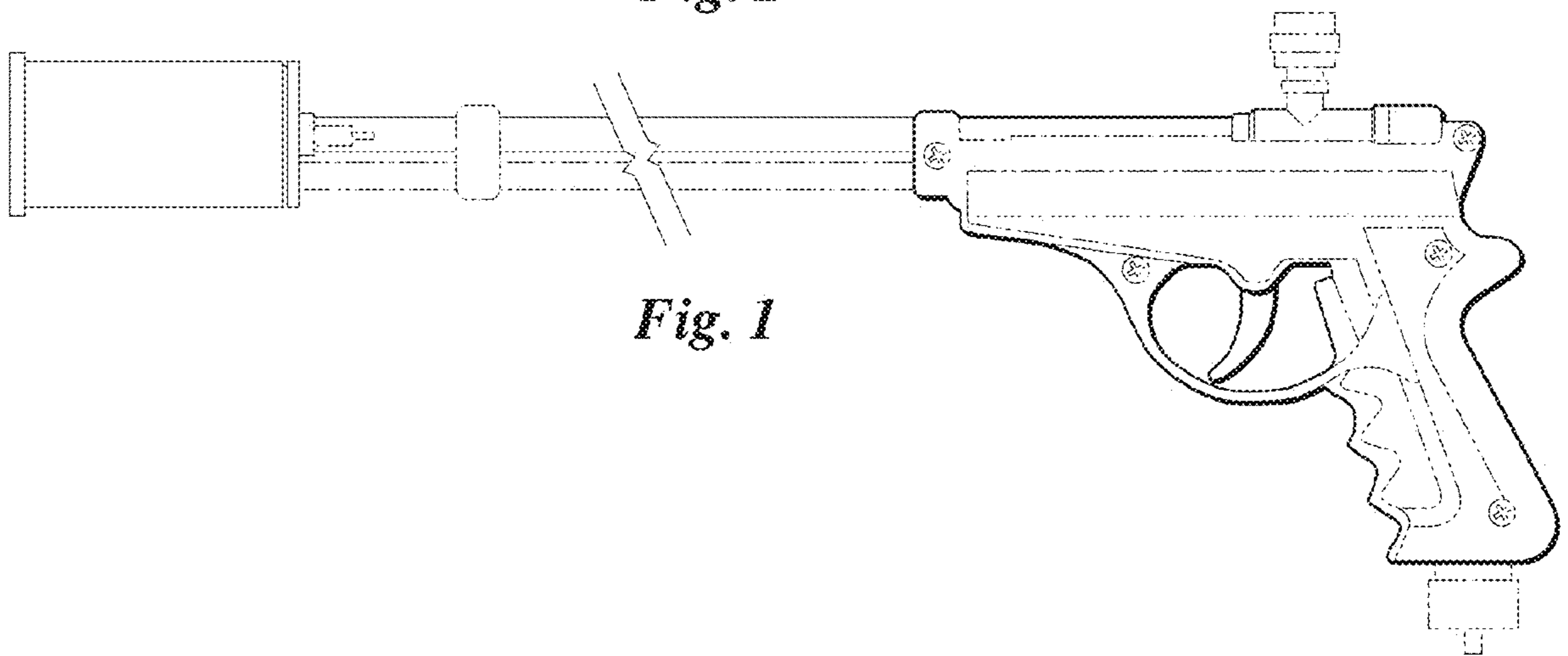


Fig. 1

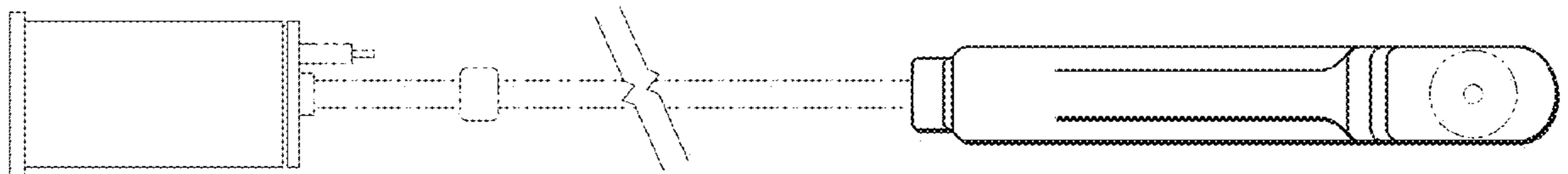


Fig. 3

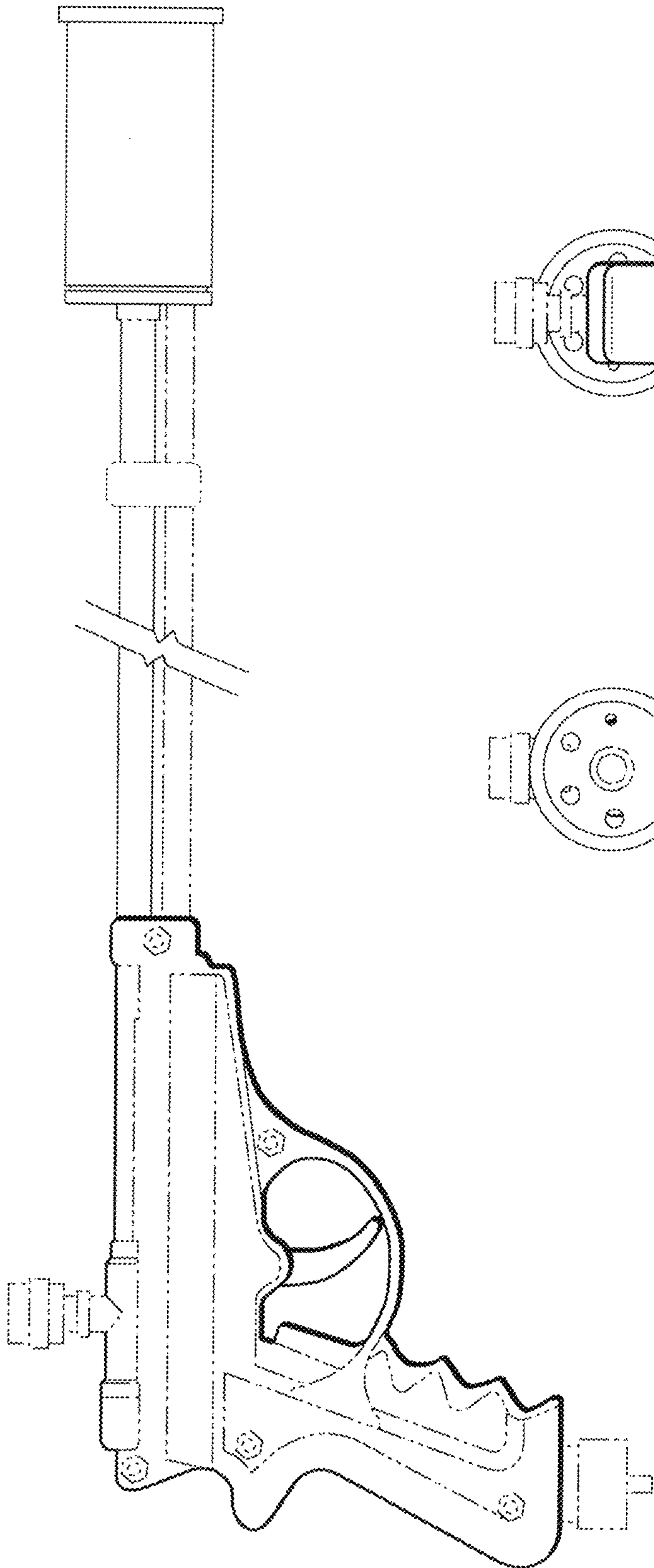


Fig. 4

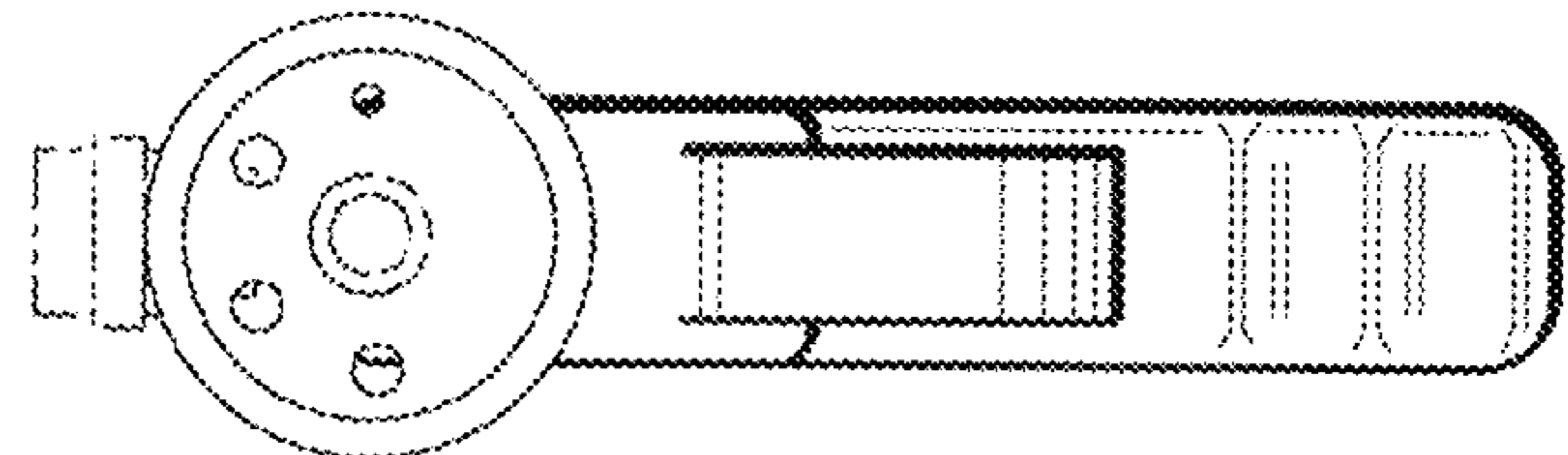


Fig. 5

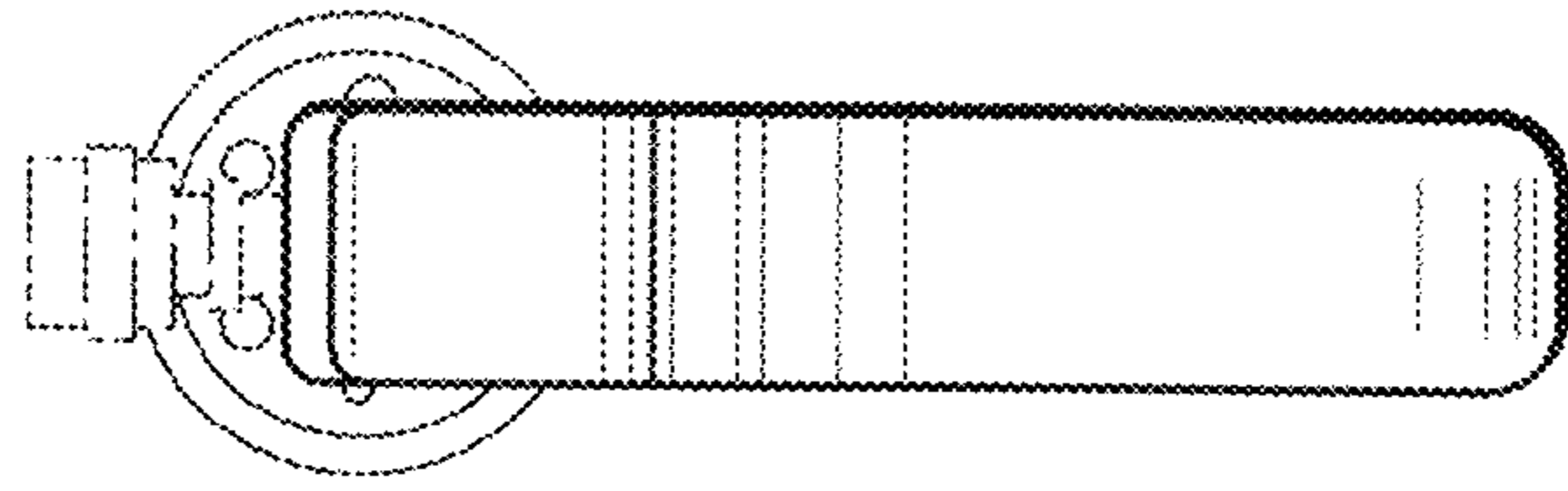


Fig. 6