



US00D959216S

(12) **United States Design Patent**
Nakamura et al.

(10) **Patent No.:** **US D959,216 S**

(45) **Date of Patent:** **** Aug. 2, 2022**

(54) **JOINT FOR HEDGE TRIMMER**

(71) Applicant: **MAKITA CORPORATION**, Anjo (JP)

(72) Inventors: **Kento Nakamura**, Anjo (JP); **Ryosuke Ito**, Anjo (JP)

(73) Assignee: **MAKITA CORPORATION**, Anjo (JP)

(**) Term: **15 Years**

(21) Appl. No.: **29/725,139**

(22) Filed: **Feb. 21, 2020**

(30) **Foreign Application Priority Data**

Aug. 22, 2019 (JP) 2019-018541

(51) **LOC (13) Cl.** **08-03**

(52) **U.S. Cl.**
USPC **D8/8**

(58) **Field of Classification Search**
USPC D8/8, 9

(Continued)

(56) **References Cited**

U.S. PATENT DOCUMENTS

6,651,347 B2 * 11/2003 Uhl A01G 3/08
30/272.1

6,735,873 B2 * 5/2004 Langhans A01D 34/902
30/210

(Continued)

FOREIGN PATENT DOCUMENTS

EP 3235369 A2 * 10/2017 A01G 3/053

JP 1467483 S 4/2013

(Continued)

Primary Examiner — Sheryl Lane

Assistant Examiner — Ieisha N Price

(74) *Attorney, Agent, or Firm* — Global IP Counselors, LLP

(57) **CLAIM**

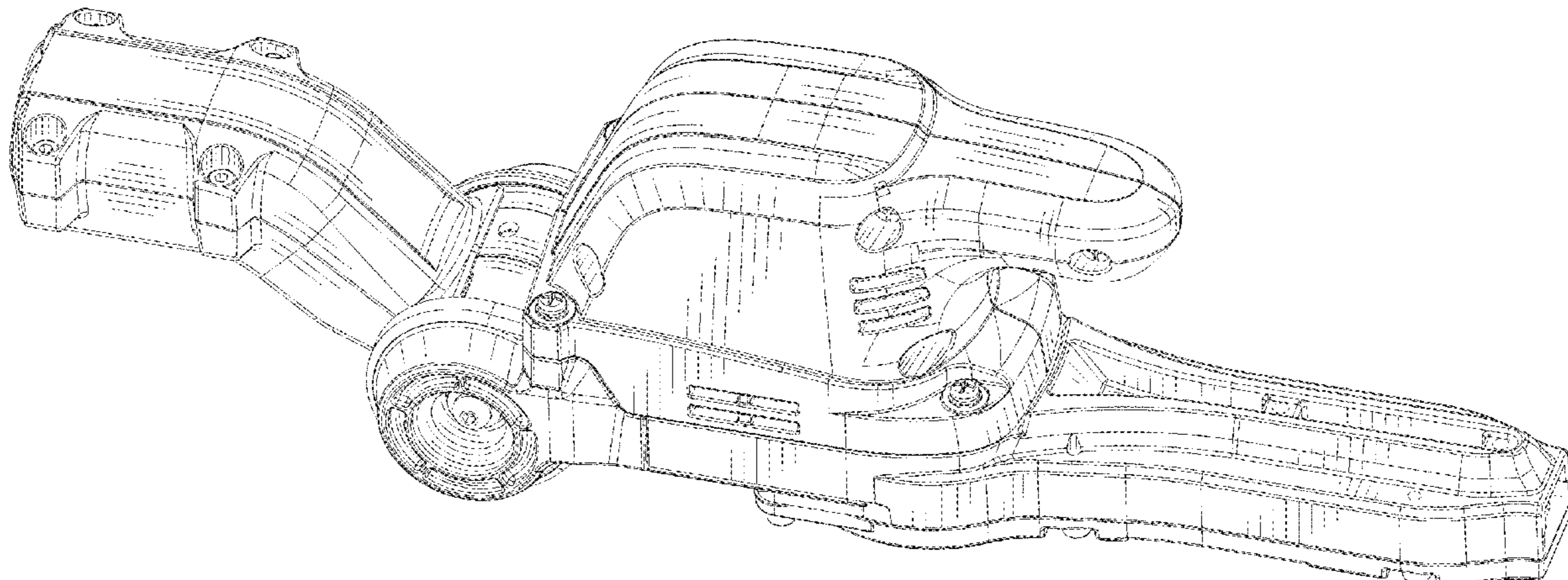
The ornamental design for a joint for hedge trimmer, as shown and described.

DESCRIPTION

FIG. 1 is a front perspective view of a joint for hedge trimmer in accordance with our new design; FIG. 2 is a rear perspective view of the joint for hedge trimmer in accordance with our new design; FIG. 3 is a front elevational view of the joint for hedge trimmer in accordance with our new design; FIG. 4 is a rear elevational view of the joint for hedge trimmer in accordance with our new design; FIG. 5 is a top plan view of the joint for hedge trimmer in accordance with our new design; FIG. 6 is a bottom plan view of the joint for hedge trimmer in accordance with our new design; FIG. 7 is a right side elevational view of the joint for hedge trimmer in accordance with our new design; FIG. 8 is a left side elevational view of the joint for hedge trimmer in accordance with our new design; FIG. 9 is a front perspective view showing a state in which a hedge trimmer, a handle and a blade are attached to the joint for hedge trimmer when in use in accordance with our new design; and, FIG. 10 is a front perspective view showing a state in which the hedge trimmer, the handle and the blade are attached to the joint for hedge trimmer when in use in accordance with our new design.

The broken line showing of a hedge trimmer housing, a handle and a blade illustrates the environment of the claimed design and forms no part of the claimed design The remaining broken lines in the drawings illustrate portions of the joint for hedge trimmer and form no part of the claimed design.

1 Claim, 10 Drawing Sheets



(58) **Field of Classification Search**

CPC .. A01D 34/01; A01D 34/416; A01D 34/4161;
 A01D 34/84; A01D 34/90; A01D 34/412;
 A01D 69/02; A01D 34/824; A01G 3/053;
 A01G 3/067; A01G 3/06; A01G 3/062;
 A01G 3/08; A01G 3/085; B25F 3/00

See application file for complete search history.

(56) **References Cited**

U.S. PATENT DOCUMENTS

D528,382	S *	9/2006	Baskar	D8/8
D582,736	S *	12/2008	Ghirardi	D8/9
D596,000	S *	7/2009	Klingbeil	D8/8
D732,358	S *	6/2015	Tinius	D8/9
D824,738	S *	8/2018	Nilsson	D8/8
10,953,533	B2 *	3/2021	Menzel	A01G 3/053
D919,387	S *	5/2021	Tinius	D8/8
2001/0010124	A1 *	8/2001	Schneider	A01G 3/053
					30/502
2005/0241161	A1 *	11/2005	Doragrip	A01G 3/053
					30/392
2013/0248216	A1 *	9/2013	Tsuchiya	A01G 3/053
					173/18
2017/0043470	A1 *	2/2017	Kong	B25F 3/00
2021/0015034	A1 *	1/2021	Ito	A01D 69/02
2021/0016406	A1 *	1/2021	Ito	B23Q 11/0092
2021/0127570	A1 *	5/2021	Palermo	A01D 34/68
2021/0146522	A1 *	5/2021	Luecke	H01R 13/73

FOREIGN PATENT DOCUMENTS

JP	2018014945	A *	2/2018	A01G 3/04
JP	2018014953	A *	2/2018	A01G 3/08

* cited by examiner

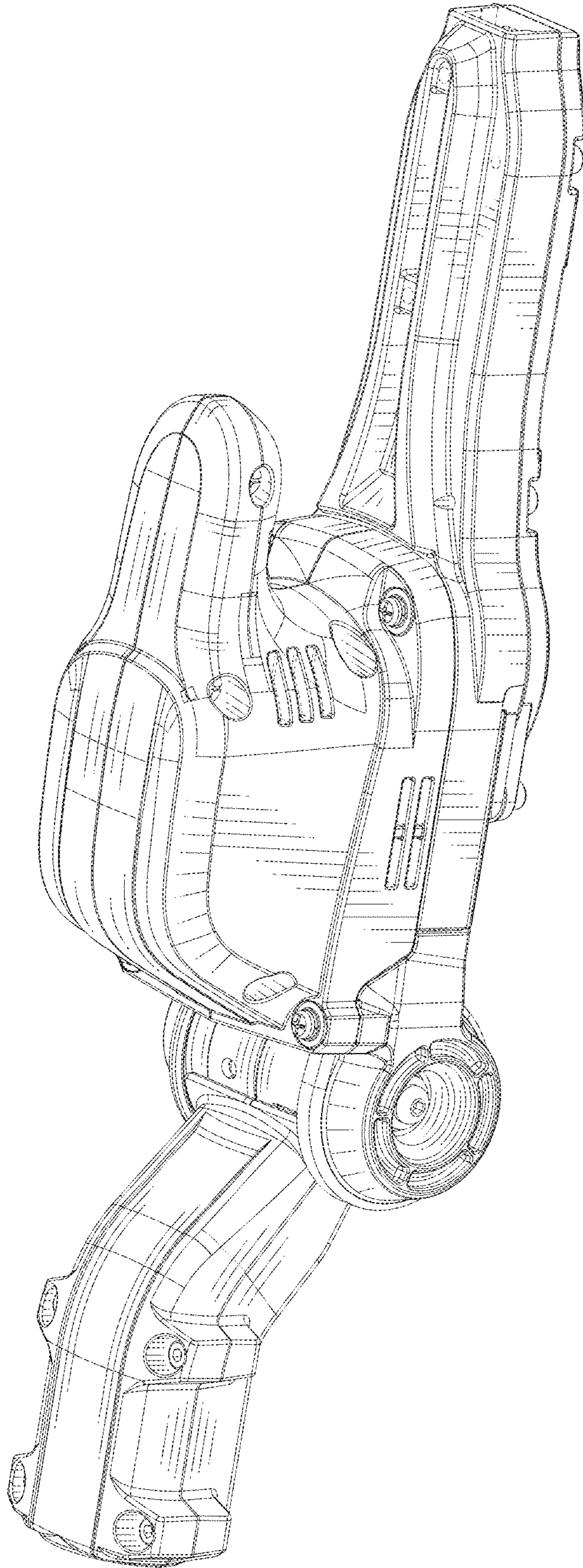


FIG. 1

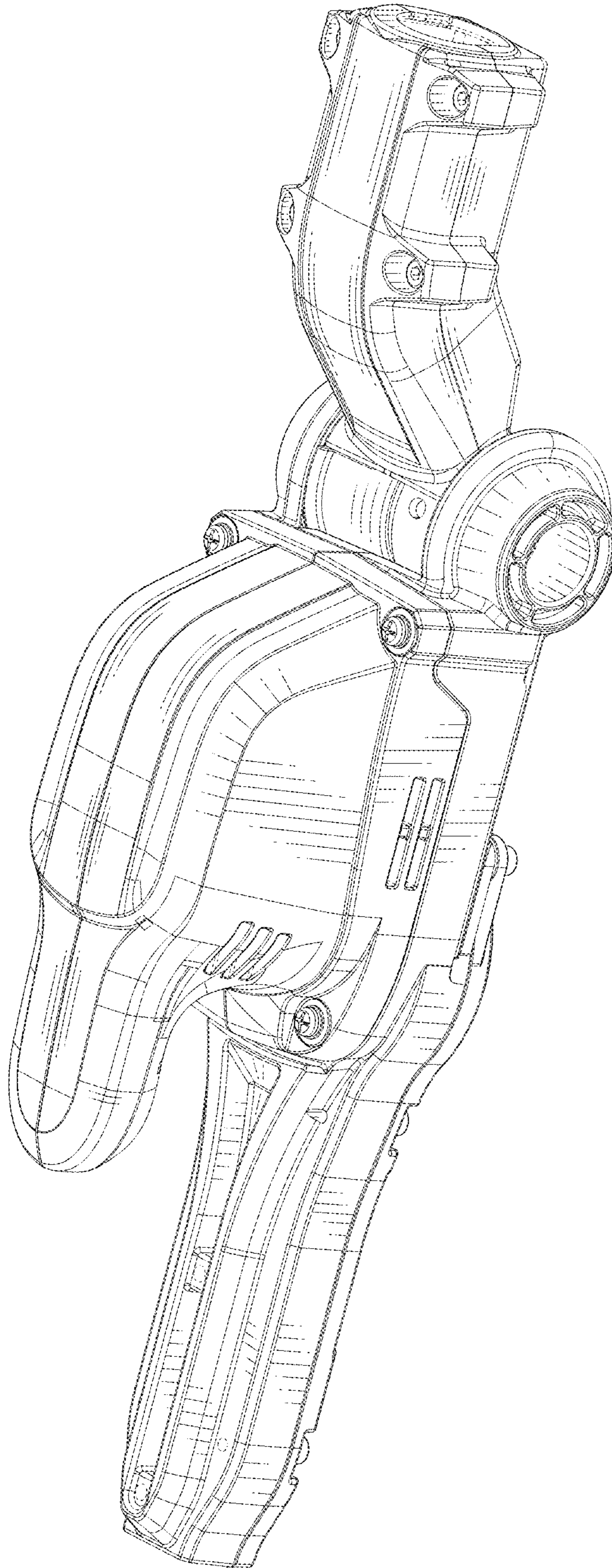


FIG. 2

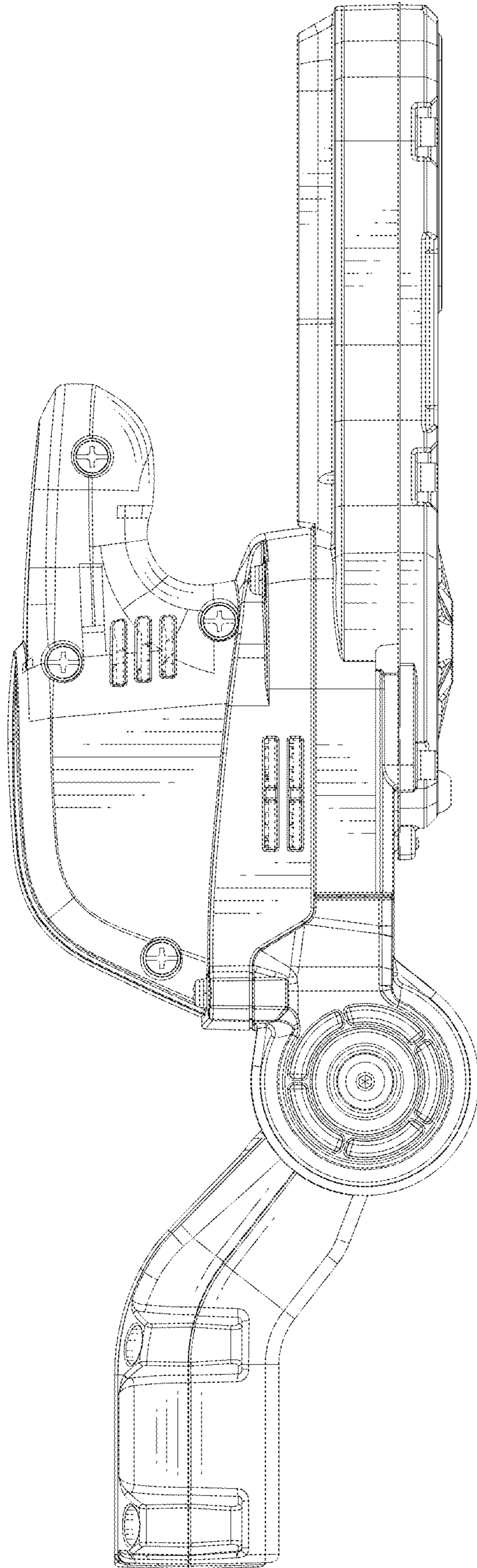


FIG. 3

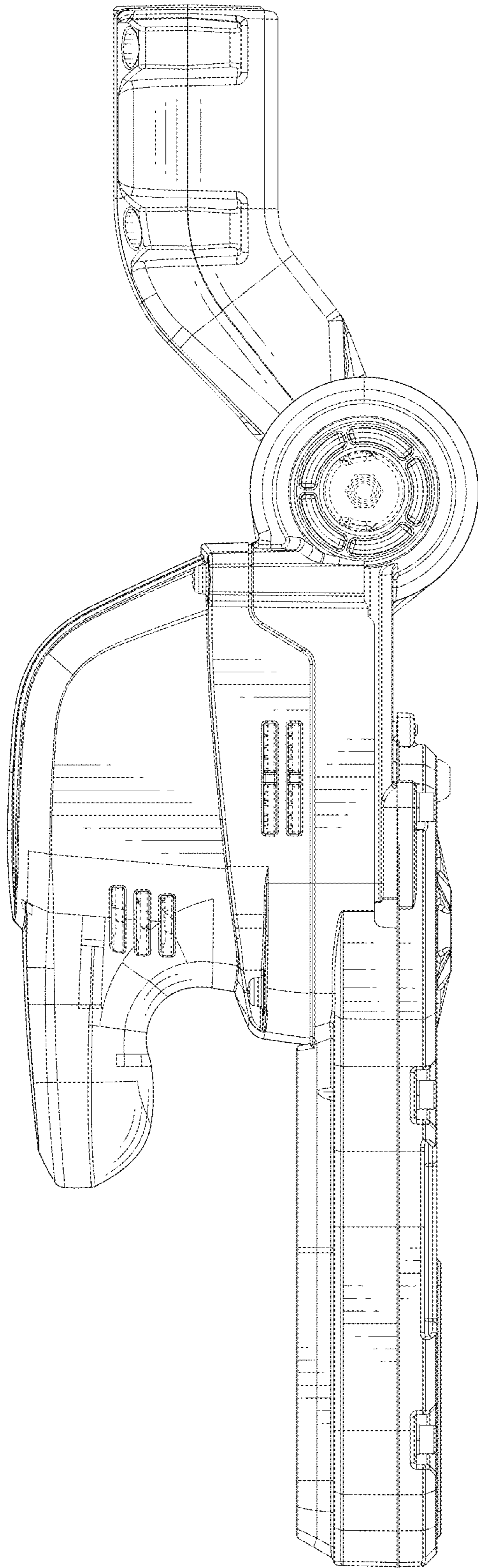


FIG. 4

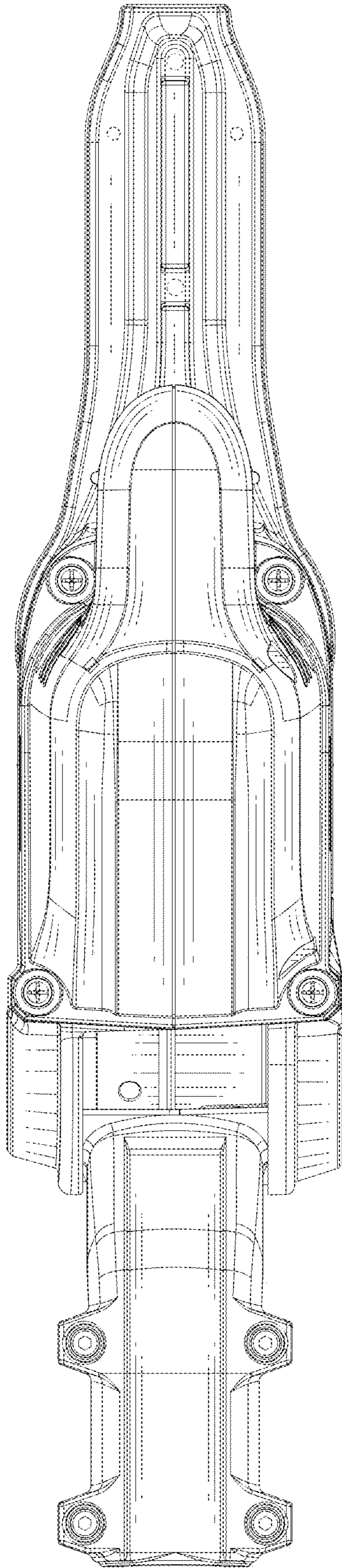


FIG. 5

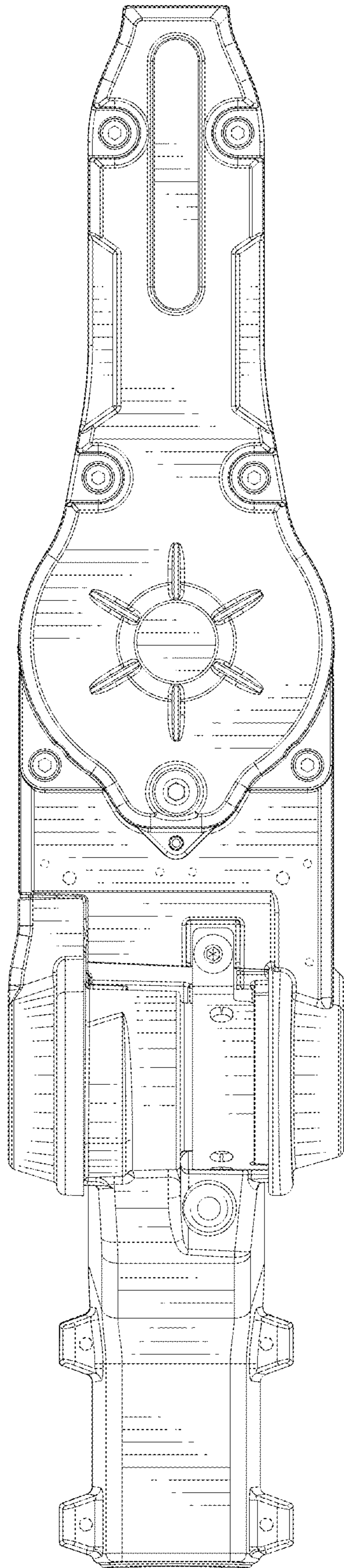


FIG. 6

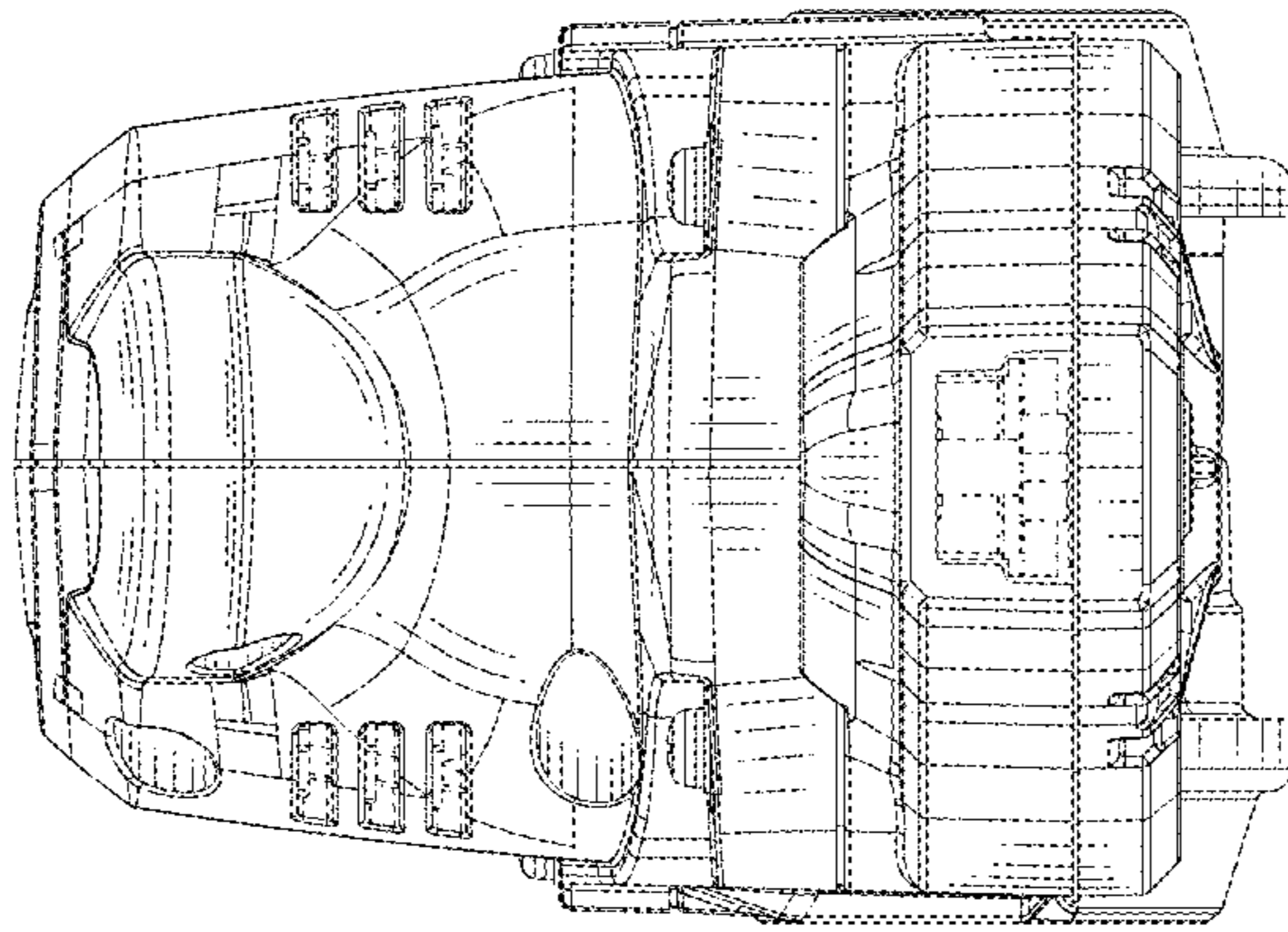


FIG. 7

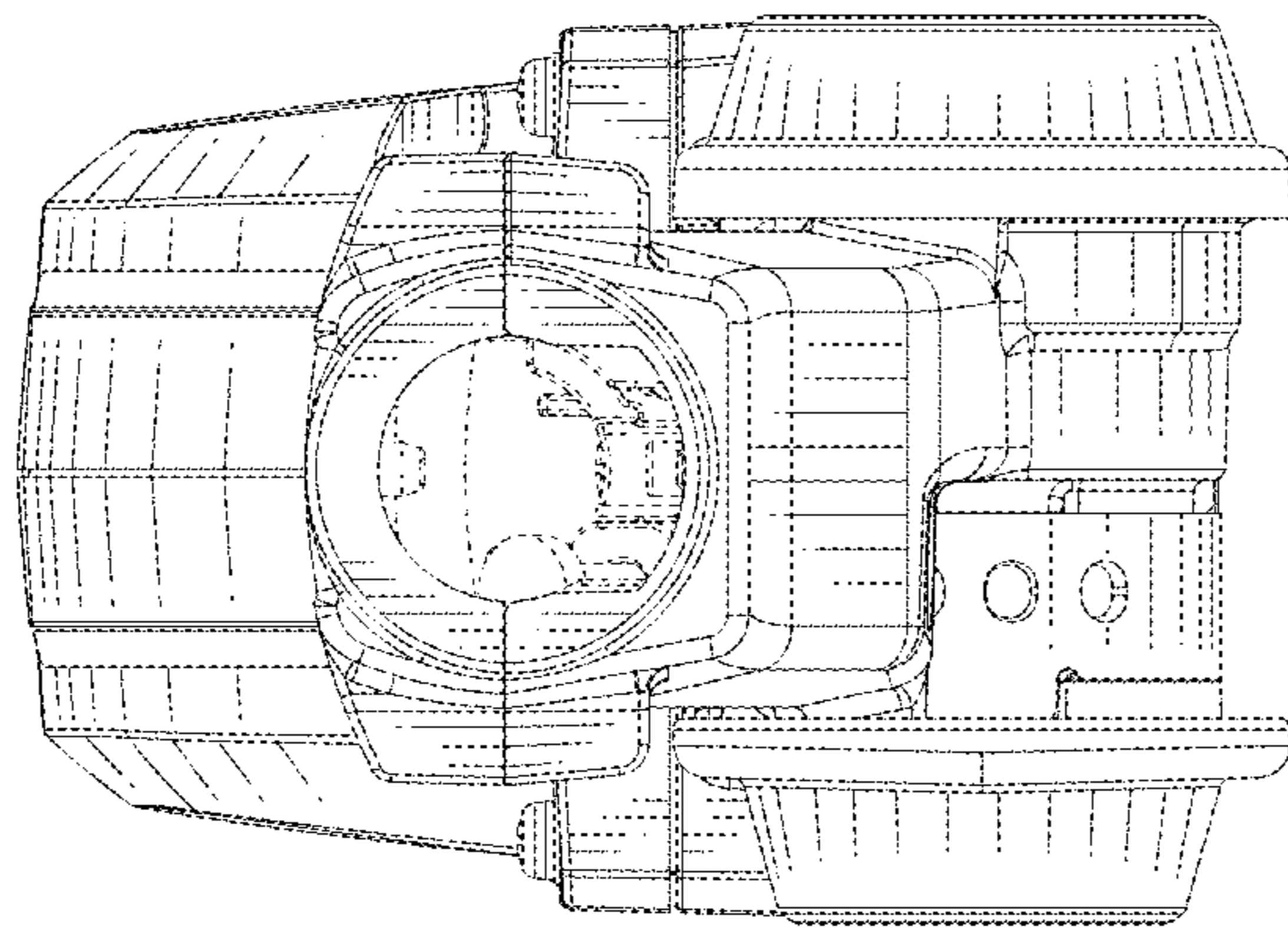


FIG. 8

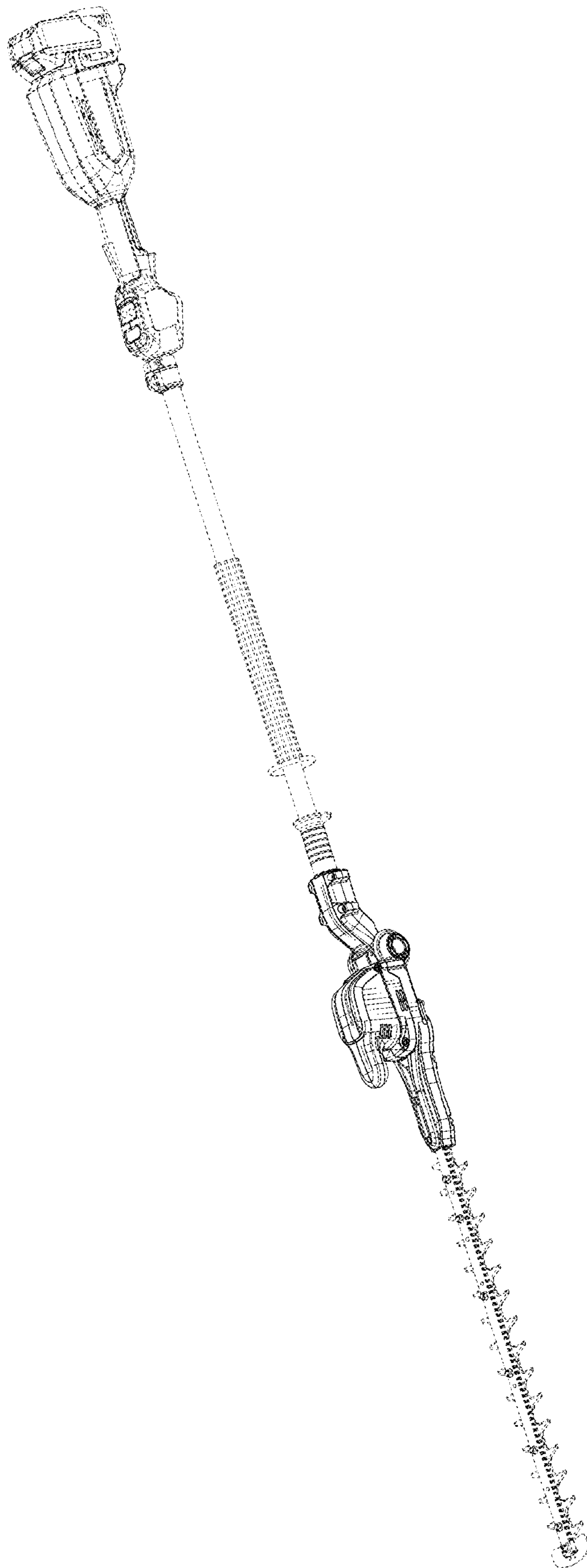


FIG. 9

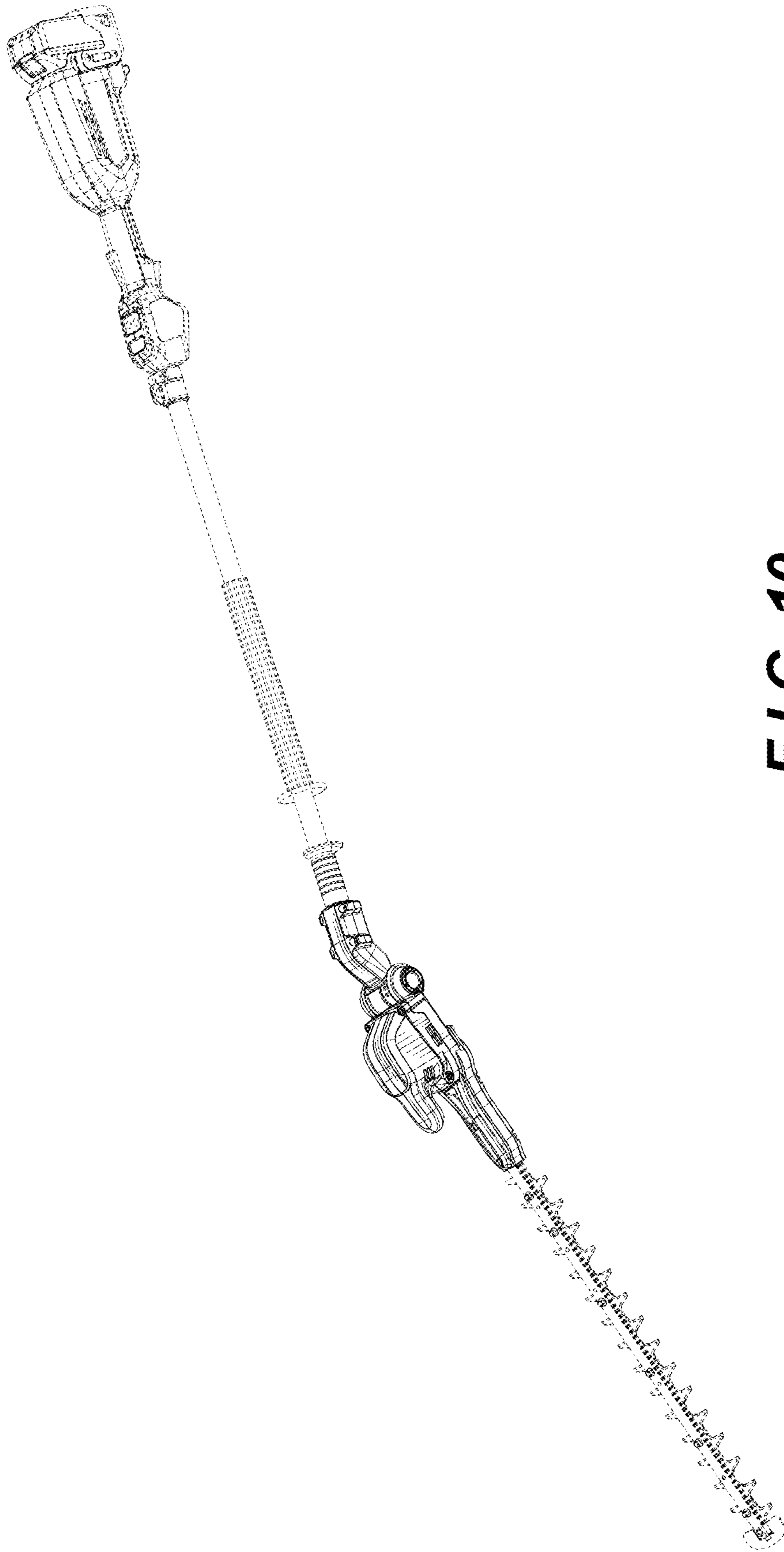


FIG. 10