



US00D959215S

(12) **United States Design Patent**
Patterson

(10) **Patent No.:** **US D959,215 S**

(45) **Date of Patent:** **** Aug. 2, 2022**

(54) **HOT DOG BUN MOLD**

(71) Applicant: **William A. Patterson**, Brantford (CA)

(72) Inventor: **William A. Patterson**, Brantford (CA)

(**) Term: **15 Years**

(21) Appl. No.: **29/751,775**

(22) Filed: **Sep. 23, 2020**

(51) **LOC (13) Cl.** **07-04**

(52) **U.S. Cl.**
USPC **D7/672; D7/354**

(58) **Field of Classification Search**
USPC D7/352, 354, 362-364, 367, 368, 502,
D7/538, 543, 545, 547, 550.1, 553.1,
D7/553.2, 554.3, 601, 602, 669, 672-678,
D7/693, 696; D9/425, 761; D15/90
CPC A21B 3/13; A21B 3/133; A21B 3/134;
A21B 5/00; A21B 5/02; A21B 5/023;
A21B 5/026; A21D 13/32; A47J 9/007;
A47J 43/20

See application file for complete search history.

(56) **References Cited**

U.S. PATENT DOCUMENTS

- 802,455 A * 10/1905 Kinzer B28B 7/241
D7/672
- 2,601,822 A * 7/1952 Hopkins A47J 37/067
D7/672
- 3,214,128 A * 10/1965 Beck F25C 1/243
D7/672
- 3,341,167 A 9/1967 Weiss
- 3,794,455 A * 2/1974 Heiderpriem A21B 3/132
D7/672
- D241,403 S * 9/1976 Holmqvist D7/672
- 4,047,477 A 9/1977 Berke
- 4,190,229 A 2/1980 Bradshaw
- 5,690,019 A 11/1997 Barker et al.
- 6,065,392 A 5/2000 Florindez
- D489,582 S * 5/2004 Franczyk A21B 3/132
D7/669
- D498,987 S 11/2004 Vodhanel, Jr.

- D551,033 S * 9/2007 Minidis F25C 1/243
D7/672
 - D637,449 S * 5/2011 Cornu A47J 37/067
D7/354
 - D651,449 S * 1/2012 Pal B28B 7/241
D7/672
 - D688,572 S * 8/2013 Marin D9/425
- (Continued)

OTHER PUBLICATIONS

Billy Patterson—Best Bun Since Sliced Bread, first available Apr. 20, 2021, YouTube, [online], [site visited May 23, 2022], Available from internet URL: https://www.youtube.com/watch?v=D4mj4_Fcdzk (Year: 2021).*

(Continued)

Primary Examiner — Mary Ann Calabrese
Assistant Examiner — Natalya M Rapundalo
(74) *Attorney, Agent, or Firm* — Cramer Patent & Design, PLLC; Aaron R. Cramer

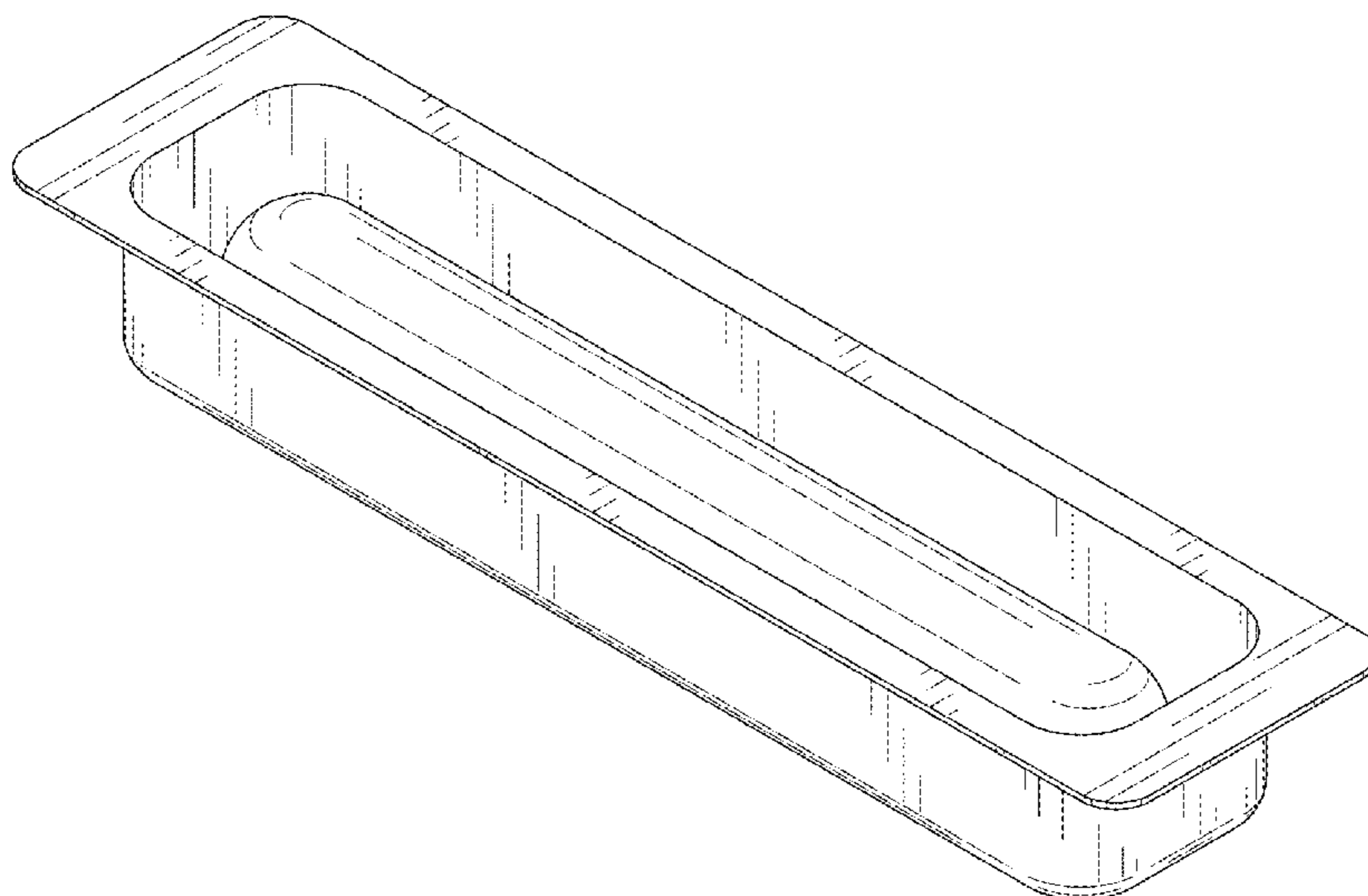
(57) **CLAIM**

The ornamental design for a hot dog bun mold, as shown and described.

DESCRIPTION

FIG. 1 is a perspective top front left view of a hot dog bun mold, showing my new design;
FIG. 2 is a perspective top rear right view thereof;
FIG. 3 is a front elevation view thereof;
FIG. 4 is a rear elevation view thereof;
FIG. 5 is a right elevation view thereof;
FIG. 6 is a left elevation plan view thereof;
FIG. 7 is a top plan view thereof;
FIG. 8 is a bottom plan view thereof;
FIG. 9 is a perspective bottom front left view; and,
FIG. 10 is a perspective bottom rear right view thereof.

1 Claim, 6 Drawing Sheets



(56)

References Cited

U.S. PATENT DOCUMENTS

D727,591	S	4/2015	Elliott	
D755,468	S	5/2016	Elliott	
D756,174	S *	5/2016	Hueser	D7/673
D823,105	S *	7/2018	Wardius, Jr.	D9/425
D838,558	S *	1/2019	Huynh	D7/669
D871,234	S *	12/2019	Grove	D7/553.3
D944,587	S *	3/2022	Chen	D7/354
D948,943	S *	4/2022	Mayer	A21D 13/32
				D9/761
2012/0201927	A1 *	8/2012	Meikle	A47J 37/01
				426/62
2014/0272056	A1 *	9/2014	Parth	A21D 13/32
				426/496

OTHER PUBLICATIONS

The Best Bun Since Sliced Bread—Blog, first available Apr. 15, 2021, Best Bun Since Sliced Bread, [online], [site visited May 23, 2022], Available from internet URL: <https://bestbunsinceslicedbread.com/index.php/2021/04/15/the-best-bun-since-sliced-bread/> (Year: 2021).*

The Best Bun since Sliced Bread—Homepage, Best Bun Since Sliced Bread, [online], [site visited May 23, 2022], Available from internet URL: <https://bestbunsinceslicedbread.com/> (Year: 2022).*

* cited by examiner

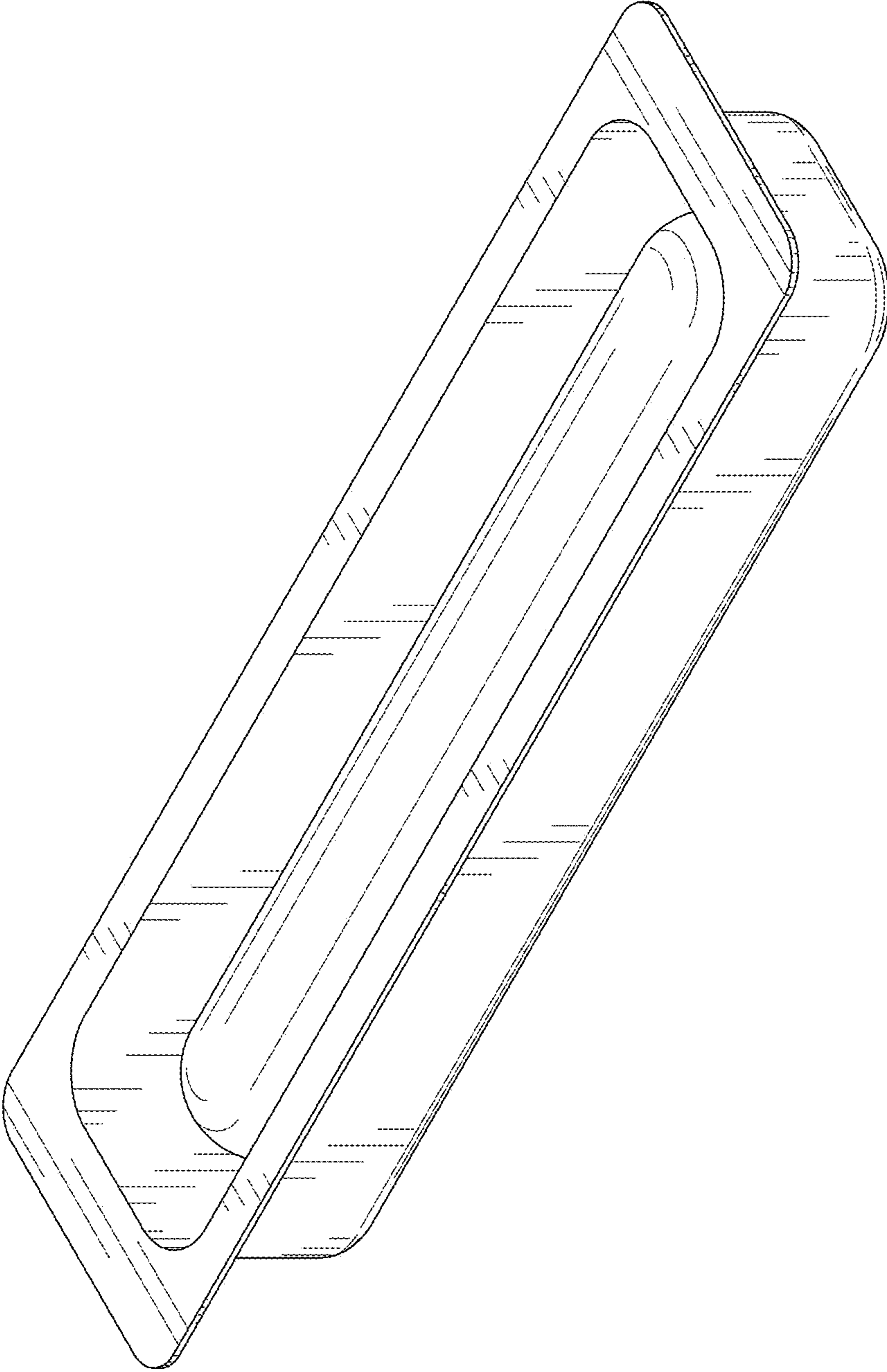


FIG. 1

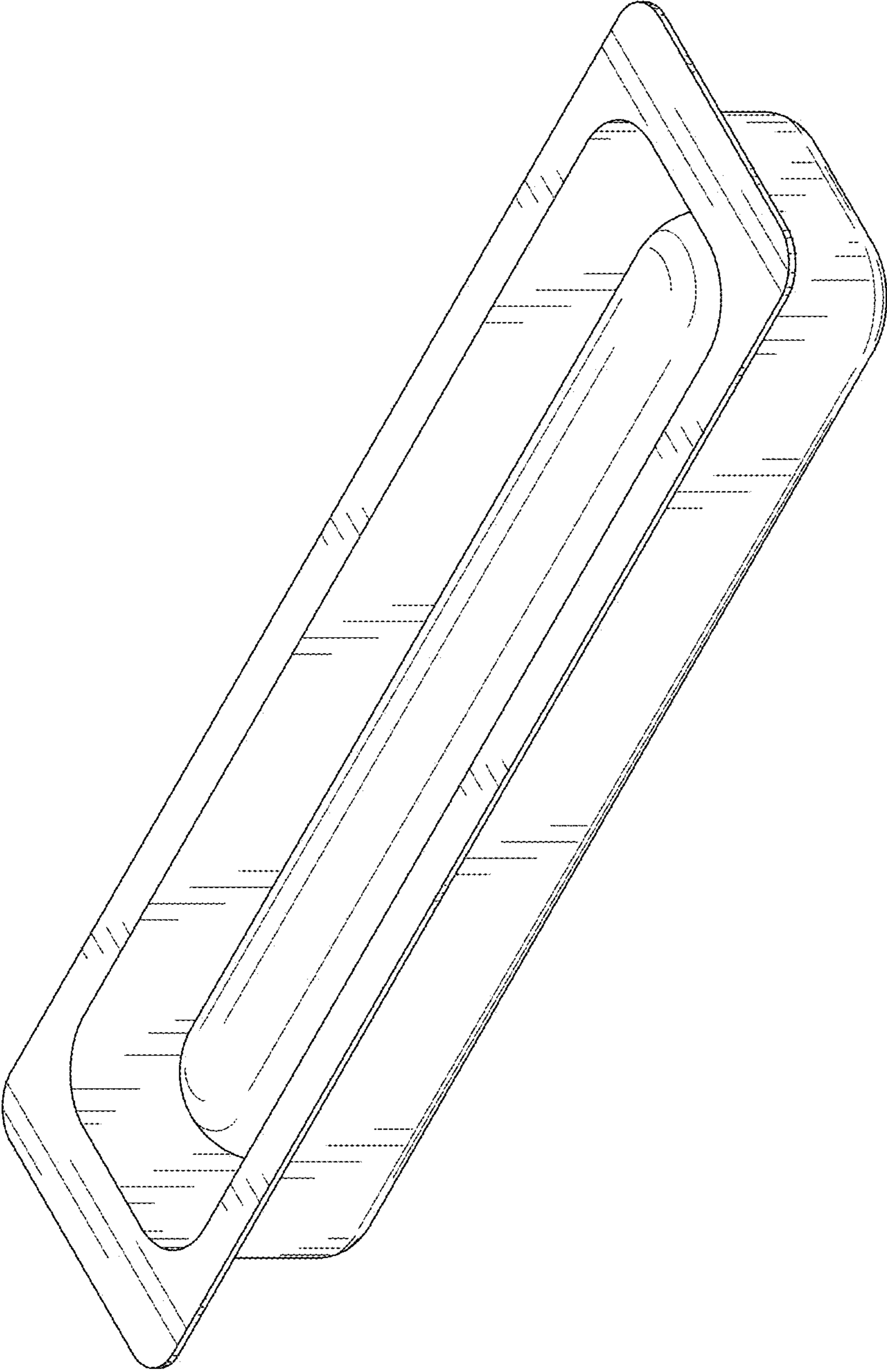


FIG. 2

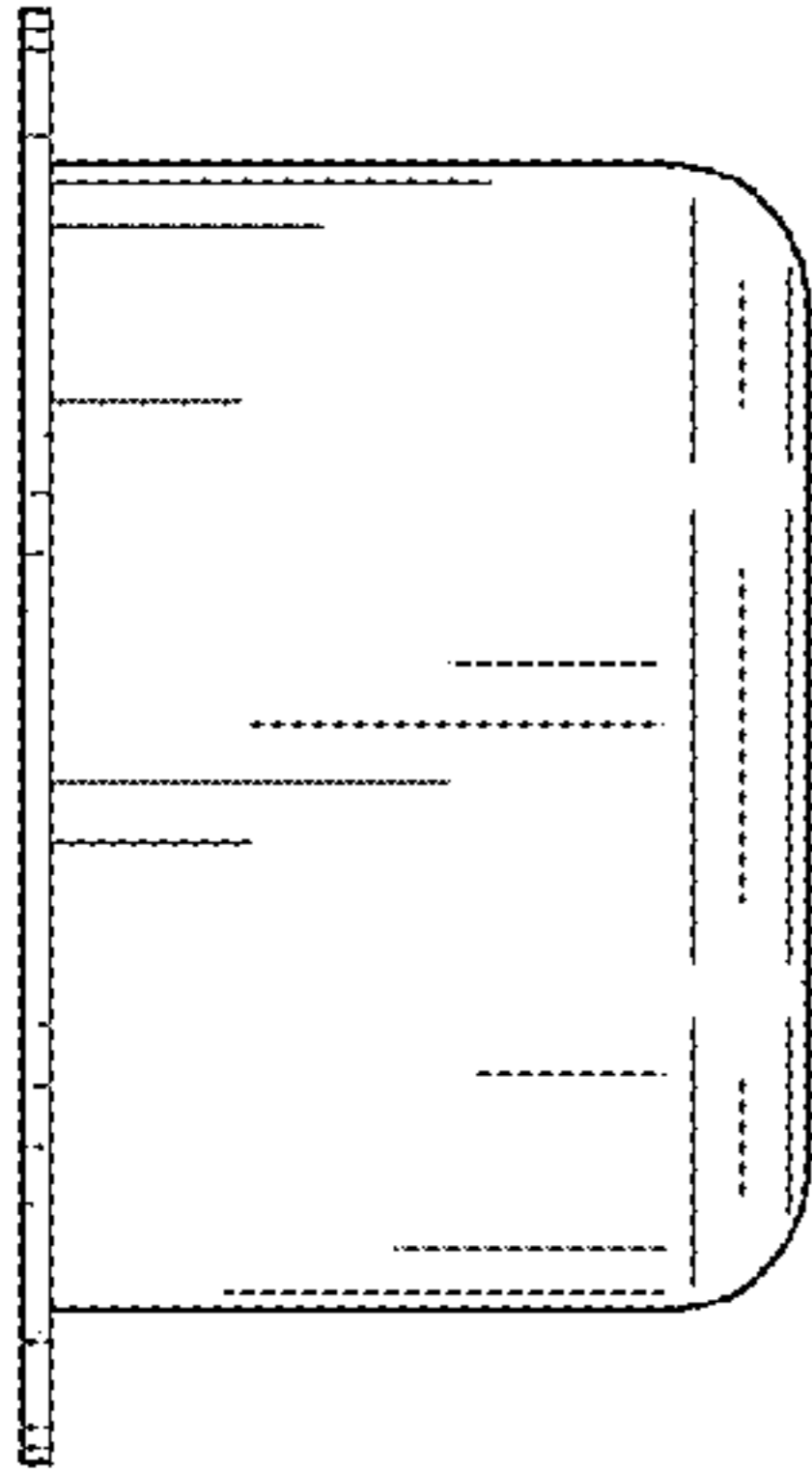


FIG. 3

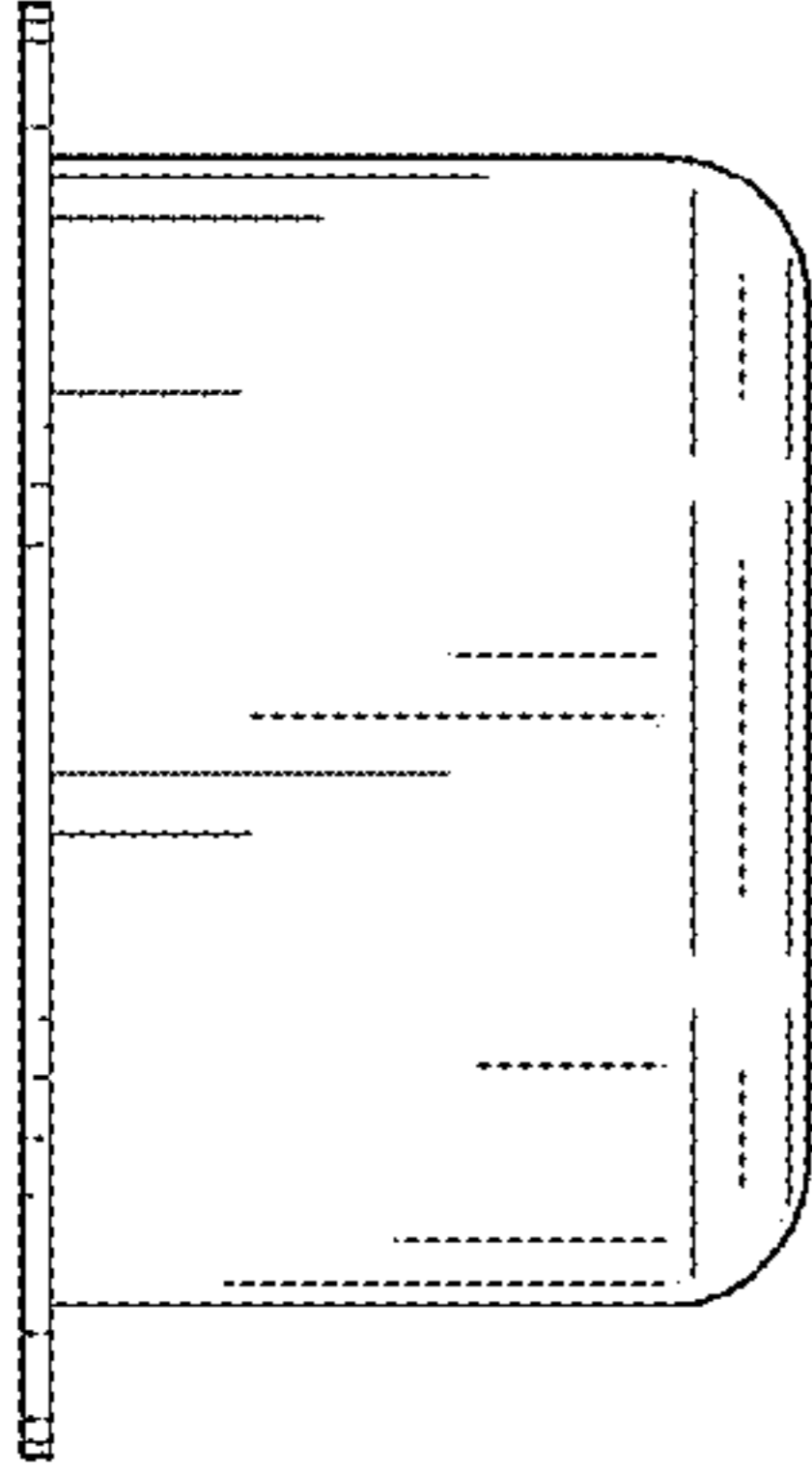


FIG. 4

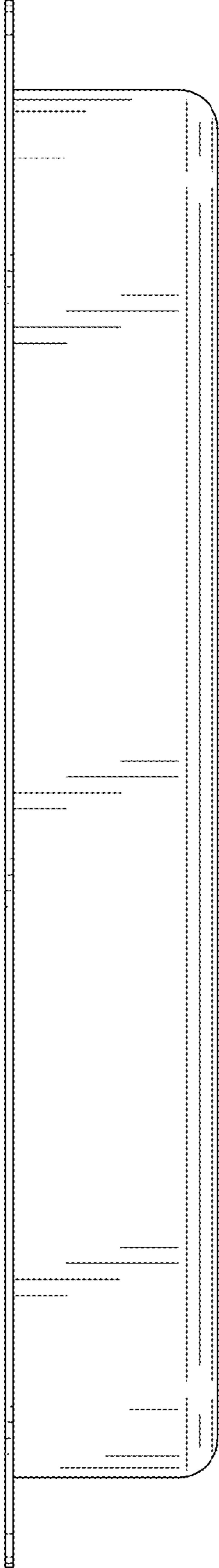


FIG. 5

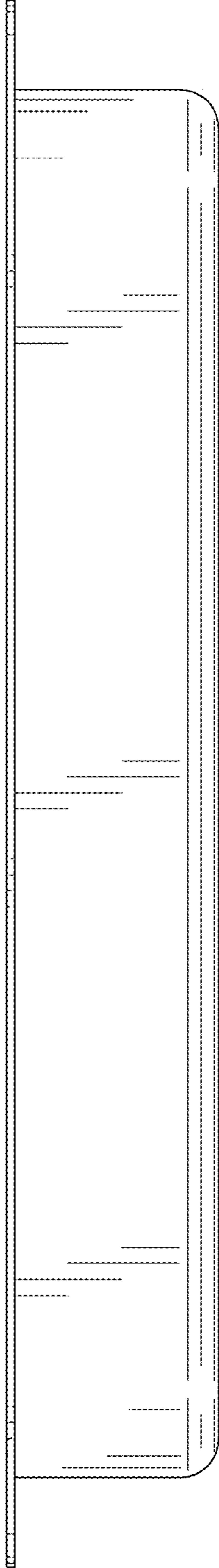


FIG. 6

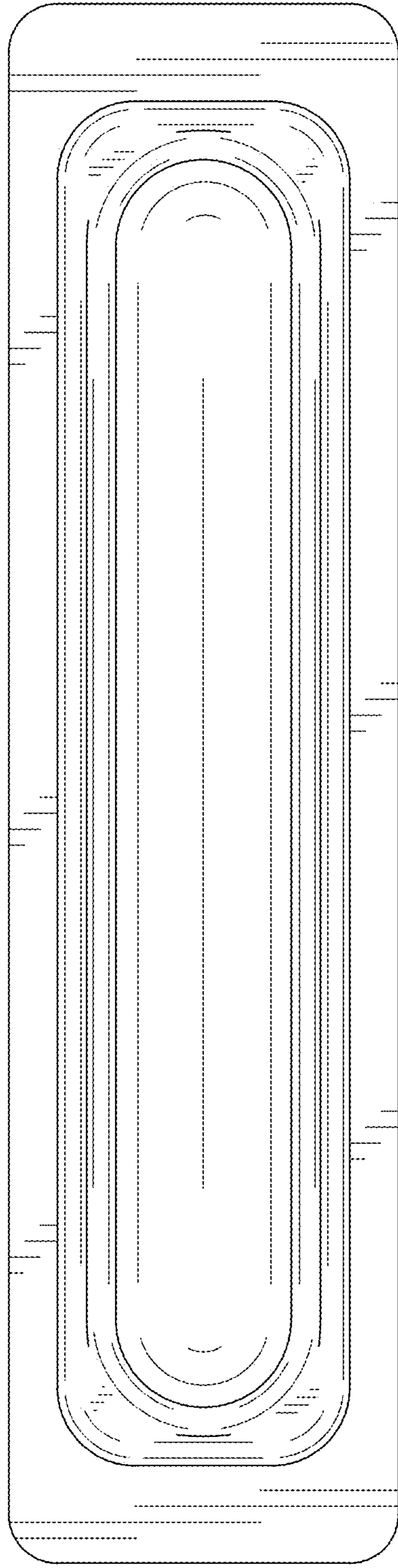


FIG. 7

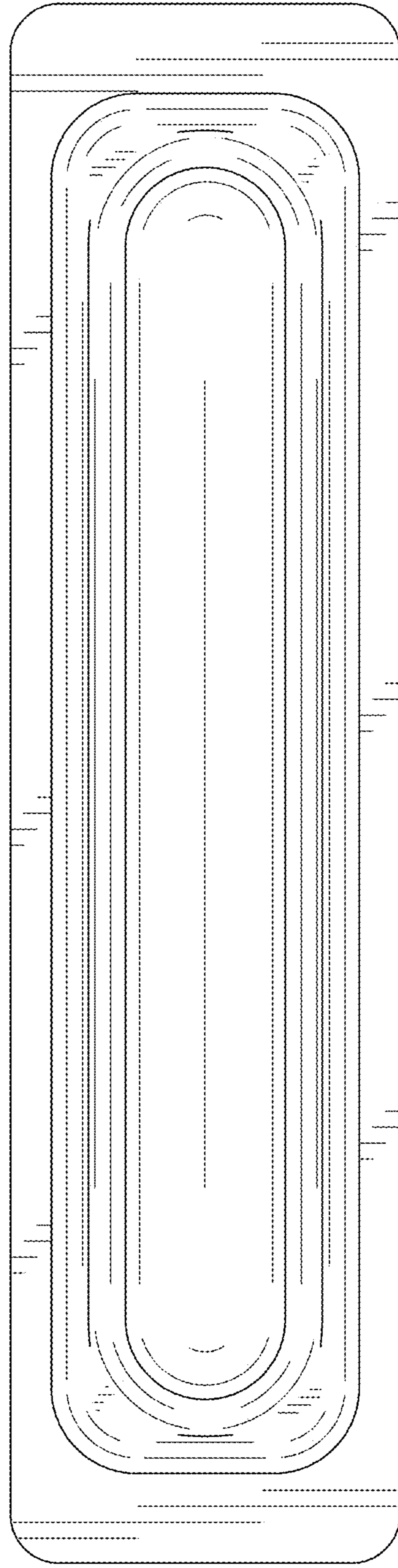


FIG. 8

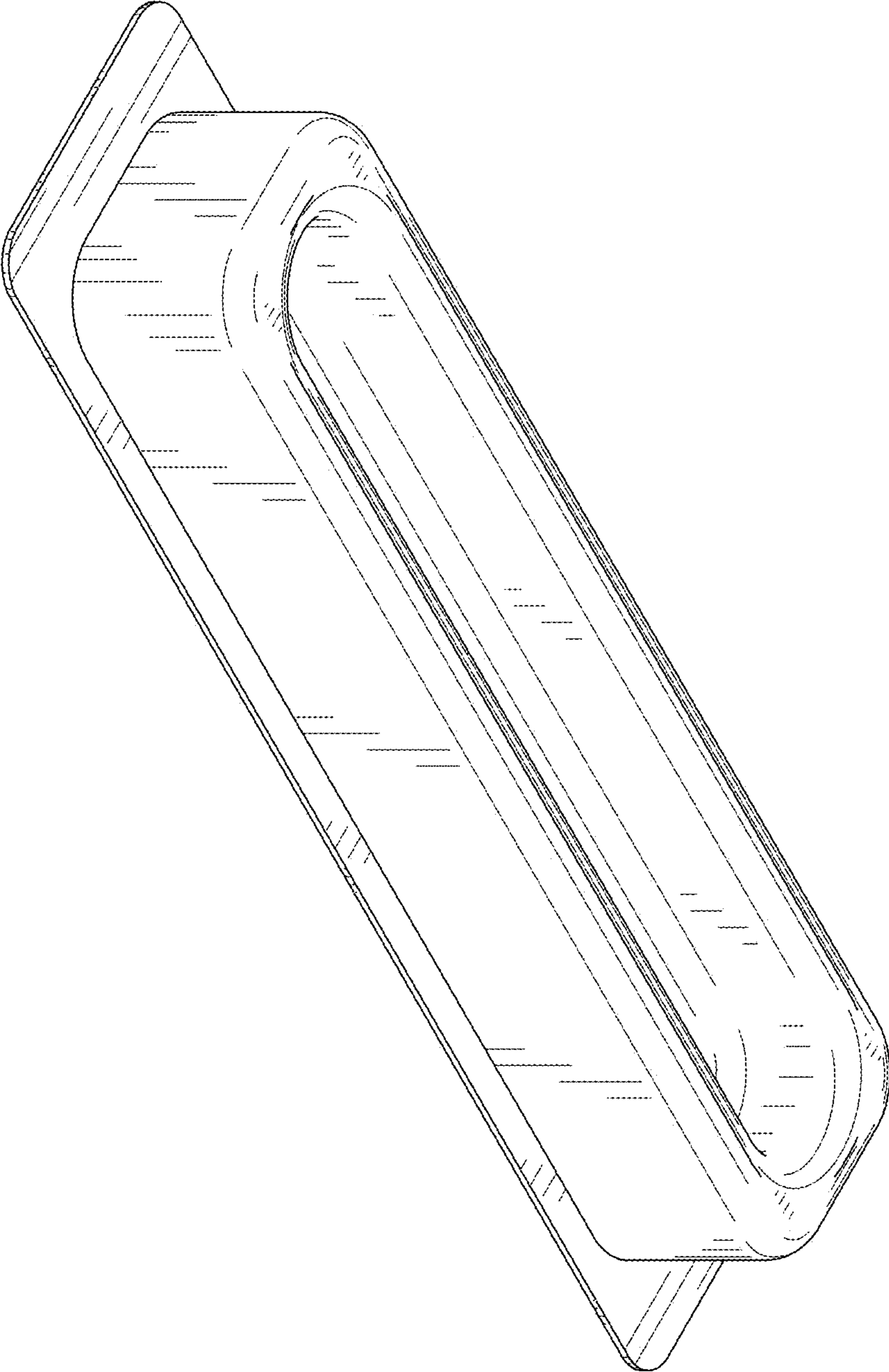


FIG. 9

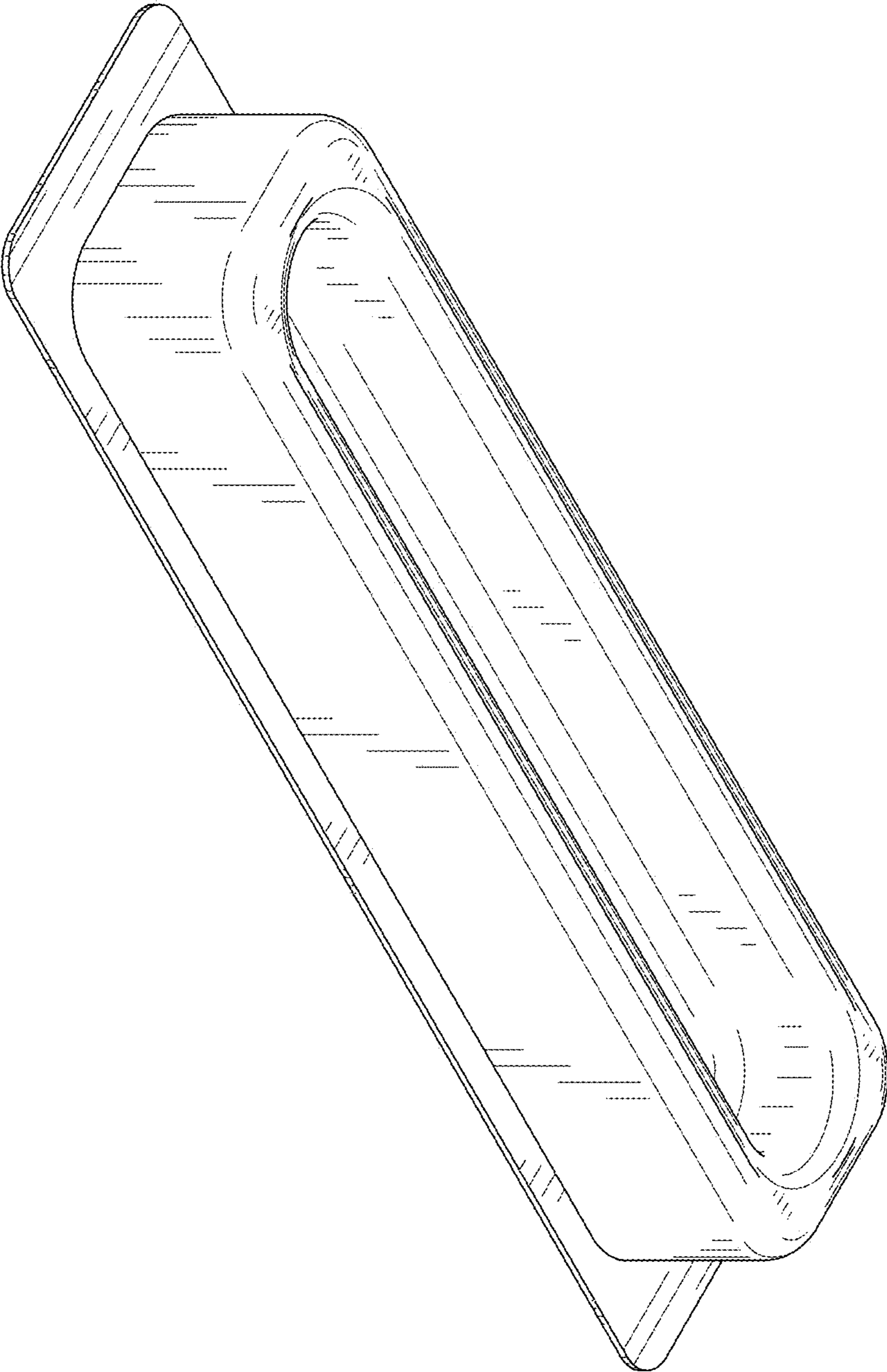


FIG. 10