



US00D959214S

(12) **United States Design Patent**
Tehrani et al.

(10) **Patent No.:** **US D959,214 S**

(45) **Date of Patent:** **** Aug. 2, 2022**

(54) **COOKWARE**

(71) Applicant: **Lagom Kitchen Co.**, Culver City, CA (US)

(72) Inventors: **Amir Tehrani**, Los Angeles, CA (US); **Zachary Rosner**, Los Angeles, CA (US); **Stuart Harvey Lee**, Forest Hills, NY (US); **Jochen Schaeppers**, New York, NY (US)

(73) Assignee: **Lagom Kitchen Co.**, Culver City, CA (US)

(**) Term: **15 Years**

(21) Appl. No.: **29/800,805**

(22) Filed: **Jul. 23, 2021**

Related U.S. Application Data

(60) Division of application No. 29/748,445, filed on Aug. 28, 2020, now Pat. No. Des. 929,798, which is a continuation-in-part of application No. 29/699,401, filed on Jul. 25, 2019, now Pat. No. Des. 916,547.

(51) **LOC (13) Cl.** **07-04**

(52) **U.S. Cl.**
USPC **D7/667**

(58) **Field of Classification Search**
USPC D7/323, 332, 335-337, 354-357, D7/359-364, 368, 387-388, 393, 395, D7/402, 407-409, 667-669, 680-696
CPC A21B 5/00; A21B 5/02; A21B 5/04; A21B 3/003; A21B 3/00; A21B 3/13; A21B 3/131; A21B 3/132; A21B 3/135; A21B 3/136; A21B 3/137; A21B 3/15; A47J 2/00; A47J 36/16; A47J 36/20; A47J 36/22; A47J 36/00; A47J 36/02; A47J 36/06; A47J 36/24; A47J 36/022; A47J 36/027; A47J 43/288; A47J 43/283; A47J 43/281; A47J 43/00; A47J 43/28; A47J 43/282; A47J

(Continued)

(56) **References Cited**

U.S. PATENT DOCUMENTS

D41,717 S 8/1911 Swan
1,569,544 A * 1/1926 Jamison A47J 37/1295
99/413
4,310,418 A 1/1982 Busbey
(Continued)

FOREIGN PATENT DOCUMENTS

CA 2455023 A1 7/2004
CN 3271597 * 1/2003
(Continued)

OTHER PUBLICATIONS

Our Place Always Pan Review, announced Feb. 23, 2021 [online], retrieved Jun. 7, 2022, retrieved from internet, <https://lemonstripes.com/lifestyle/our-place-always-pan-review/>.*

(Continued)

Primary Examiner — Messina L Smith

(74) *Attorney, Agent, or Firm* — Myers Wolin, LLC

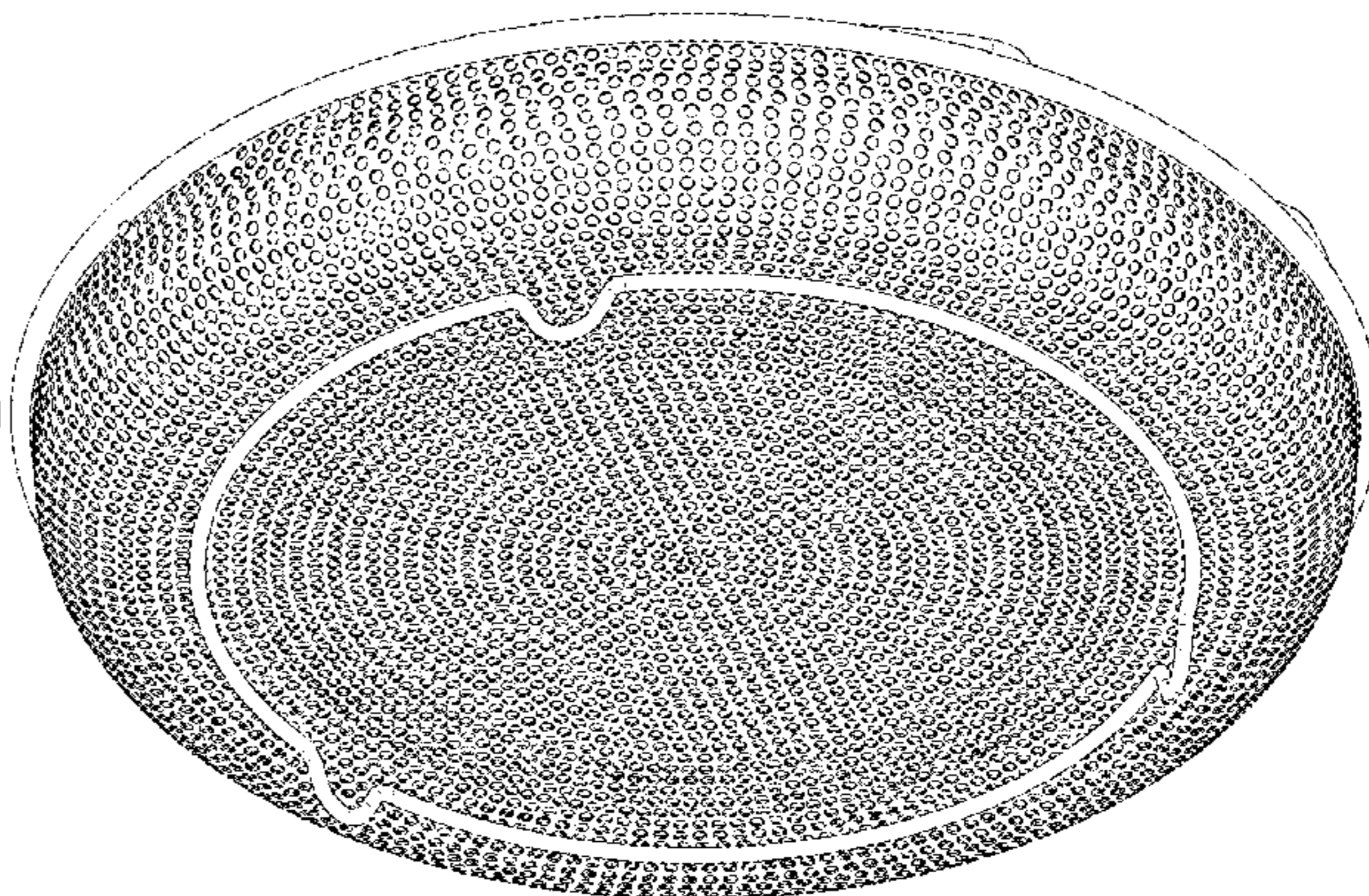
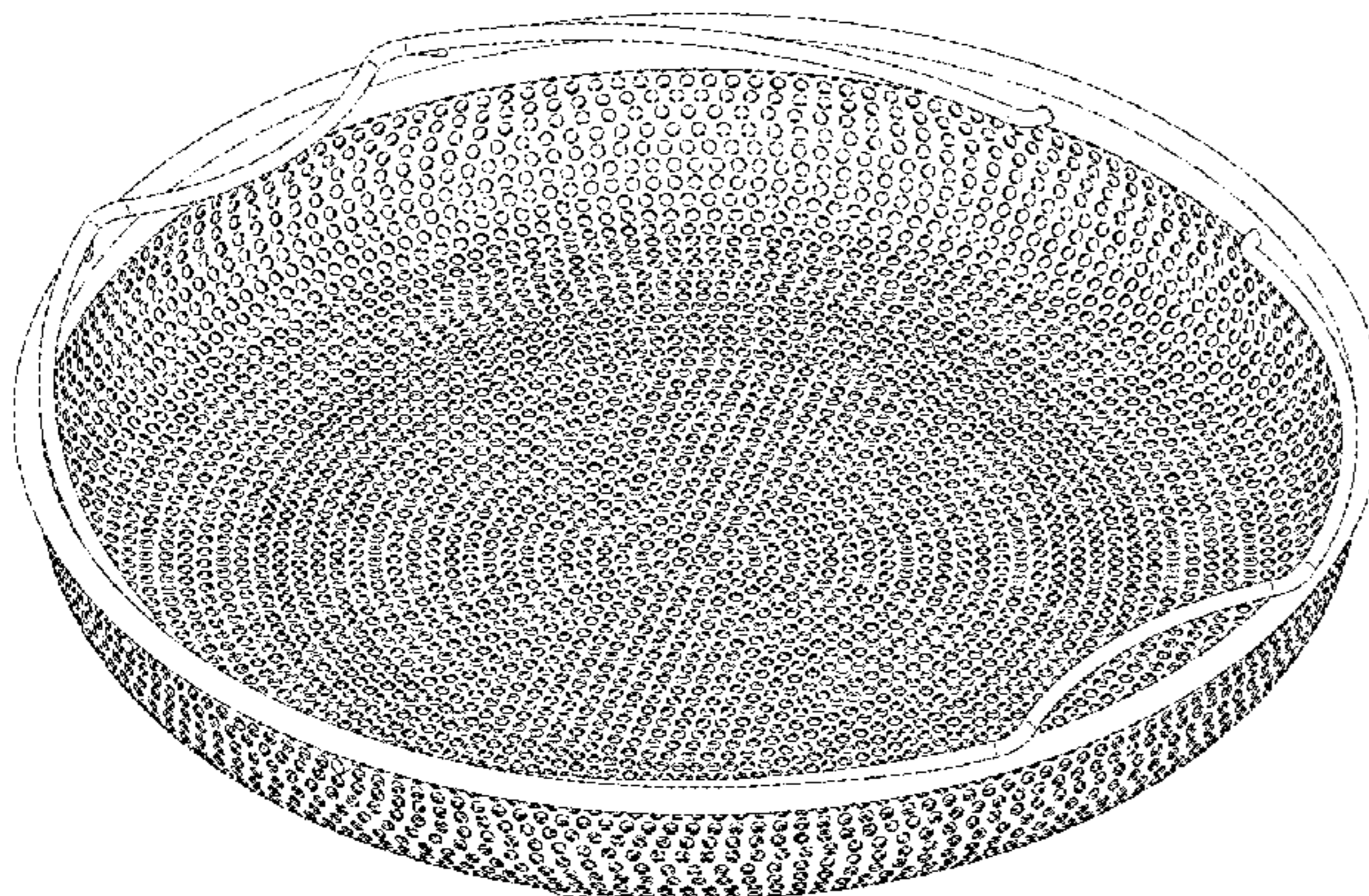
(57) **CLAIM**

The ornamental design for a cookware, as shown and described.

DESCRIPTION

FIG. 1 is a top perspective view of a cookware showing our new design;
FIG. 2 is a bottom perspective view thereof;
FIG. 3 is a right side elevation view thereof, the left side elevation view being a mirror image thereof;
FIG. 4 is a front elevation view thereof;
FIG. 5 is a rear elevation view thereof;
FIG. 6 is a top plan view thereof; and,
FIG. 7 is a bottom plan view thereof.

1 Claim, 4 Drawing Sheets



(58) **Field of Classification Search**
 CPC 43/20; A47G 21/045; A47G 21/04; A47F
 13/08; A61J 7/0023
 See application file for complete search history.

EM 007538731-0002 5/2020
 EP 2976977 A1 1/2016
 GB 6131807 * 4/2021
 RU 2264152 C1 11/2005

(56) **References Cited**

U.S. PATENT DOCUMENTS

D298,403 S * 11/1988 Hagberg D7/548
 D363,851 S 11/1995 Chen
 D370,826 S 6/1996 Thurlow
 D469,655 S 2/2003 Ryan
 6,848,592 B2 2/2005 Logiudice
 D503,592 S * 4/2005 de Groote D7/667
 D580,214 S 11/2008 Dodane
 D587,062 S 2/2009 Ek
 D587,519 S 3/2009 Cheng
 D639,603 S * 6/2011 Degnan D7/354
 D643,247 S * 8/2011 Zemel D7/409
 D648,983 S * 11/2011 Zemel D7/409
 D700,004 S * 2/2014 Weskamp D7/354
 D756,163 S 5/2016 Gabbay
 D797,494 S 9/2017 Mirchandani
 D819,393 S 6/2018 Dodane
 D824,204 S * 7/2018 McGrath D7/359
 D825,981 S * 8/2018 McGrath D7/360
 D831,408 S * 10/2018 Tsai D7/361
 D842,649 S * 3/2019 Mishan D7/409
 D850,186 S 6/2019 Livingston
 D850,200 S * 6/2019 Jiang D7/354
 D852,576 S 7/2019 Jamison
 D865,445 S * 11/2019 Lin D7/354
 D869,903 S * 12/2019 Zhong D7/354
 D879,546 S 3/2020 Hollinger
 D880,222 S 4/2020 Hollinger
 D883,731 S 5/2020 Tsai
 D884,422 S * 5/2020 Zhong D7/354
 D888,490 S 6/2020 Li
 D891,178 S * 7/2020 Lu D7/354
 D950,313 S * 5/2022 Tsai D7/354
 2005/0092762 A1 * 5/2005 Murat A47J 27/08
 220/759
 2005/0115417 A1 * 6/2005 Murat A47J 27/08
 99/413
 2013/0037553 A1 2/2013 Bourbeau
 2014/0319027 A1 * 10/2014 Nunnery F24B 15/007
 209/235
 2015/0297027 A1 * 10/2015 Nespoux A47J 27/004
 99/353
 2018/0368625 A1 12/2018 Wada

FOREIGN PATENT DOCUMENTS

CN 302348302 * 3/2013
 DE 8521152 U1 10/1985

OTHER PUBLICATIONS

How to Make Keto Potstickers, announced Mar. 17, 2020 [online],
 retrieved Jun. 7, 2022, retrieved from internet, <https://homemadeforelle.com/how-to-make-keto-potstickers/>.*

Can the Always Pan Replace All of Your Cookware?, announced
 Feb. 7, 2020 [online], retrieved Jun. 7, 2022, retrieved from internet,
<https://www.epicurious.com/expert-advice/our-place-always-pan-review-article>.*

This Always Pan Dupe Is More Than \$100 Off RN & Shoppers Say
 It Makes Cooking So ‘Seamless’, announced Feb. 15, 2022 [online],
 retrieved Jun. 7, 2022, retrieved from internet, <https://stylecaster.com/macys-always-pan-dupe/>.*

Chef Pomodoro Copper Crisper Tray, announced Jun. 10, 2020
 [online], retrieved Jun. 7, 2022, retrieved from internet, <https://www.amazon.com/Chef-Pomodoro-Copper-Crisper-2-Piece/dp/B089YTP8NT>.*

Instant Pot 2-pc. Mesh Steamer Basket Set, announced May 2020
 [online], retrieved Jun. 7, 2022, retrieved from internet, <https://www.kohls.com/product/prd-3778418/instant-pot-2-pc-mesh-steamer-basket-set.jsp>.*

Non-Final Office Action issued by the United States Patent and
 Trademark Office for corresponding U.S. Appl. No. 29/748,445,
 dated Dec. 30, 2020.

Notice of Allowance issued by the United States Patent and Trade-
 mark Office for corresponding U.S. Appl. No. 29/748,445, dated
 Jun. 29, 2021.

Corrected Notice of Allowance issued by the United States Patent
 and Trademark Office for corresponding U.S. Appl. No. 29/748,445,
 dated Jul. 27, 2021.

Corrected Notice of Allowance issued by the United States Patent
 and Trademark Office for corresponding U.S. Appl. No. 29/748,445,
 dated Aug. 4, 2021.

International Search Report and Written Opinion for PCT/US2020/
 042498 dated Oct. 15, 2020.

Always Pan, announced Dec. 16, 2019 [online], retrieved Sep. 25,
 2020 from Internet, https://fromourplace.com/products/always-essential-cooking-pan?utm_source=pepperjam&utm_medium=affiliate&utm_campaign=200286&clickid=3276306738.

These Designers Created a Pan That Is Able to Replace Most of
 Your Cookware by Itself, announced Nov. 28, 2019 [online],
 retrieved Sep. 25, 2020 from Internet, <https://fortune.com/2019/11/28/our-place-always-pan-cookware-design/>.

A Pan for Just About Anything, announced Sep. 23, 2019 [online],
 retrieved Sep. 25, 2020 from Internet, [https://www.nytimes.com/2019/09/23/di/ni ng/always-pan-from-our-place.html](https://www.nytimes.com/2019/09/23/di/ni-ng/always-pan-from-our-place.html).

* cited by examiner

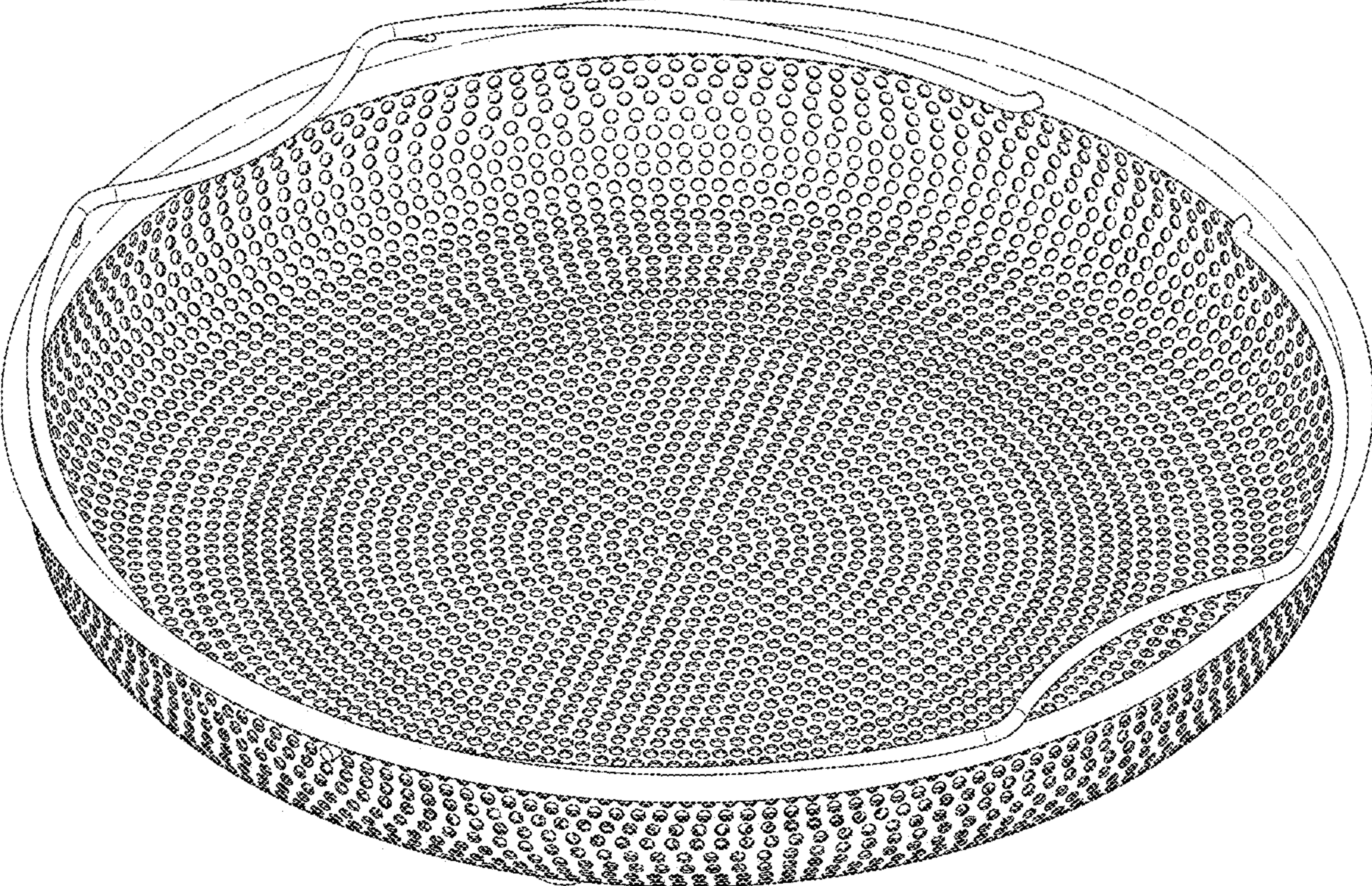


FIG. 1

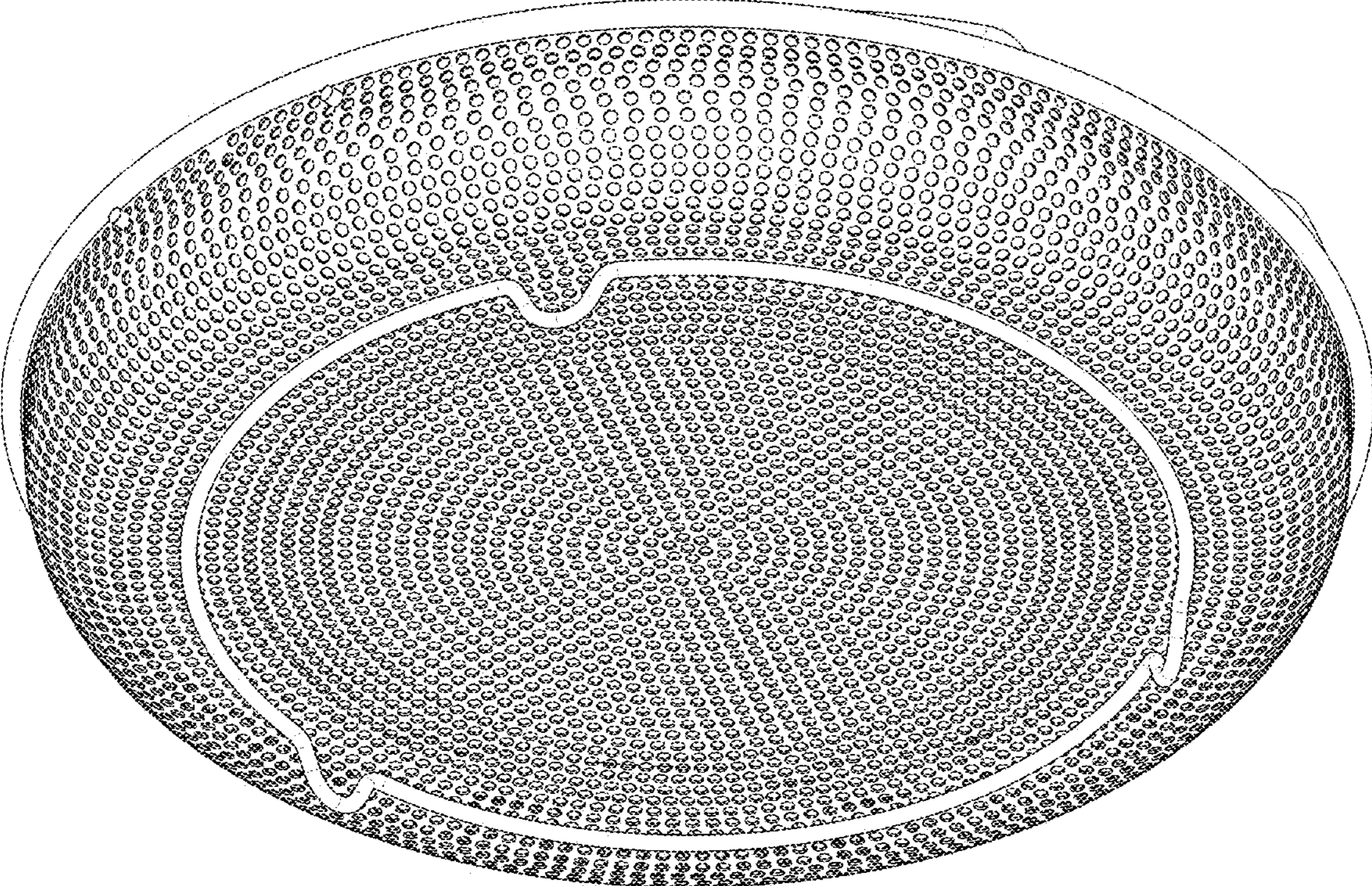


FIG. 2

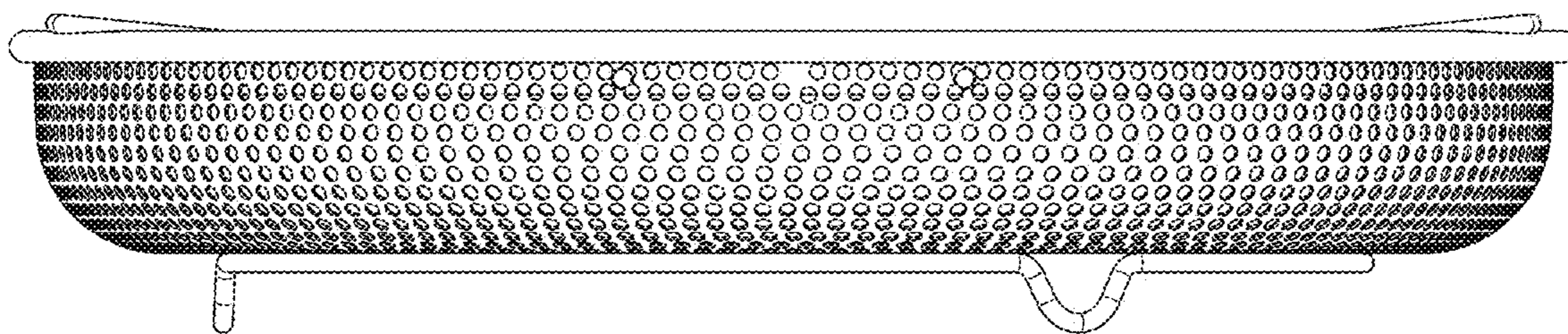


FIG. 3

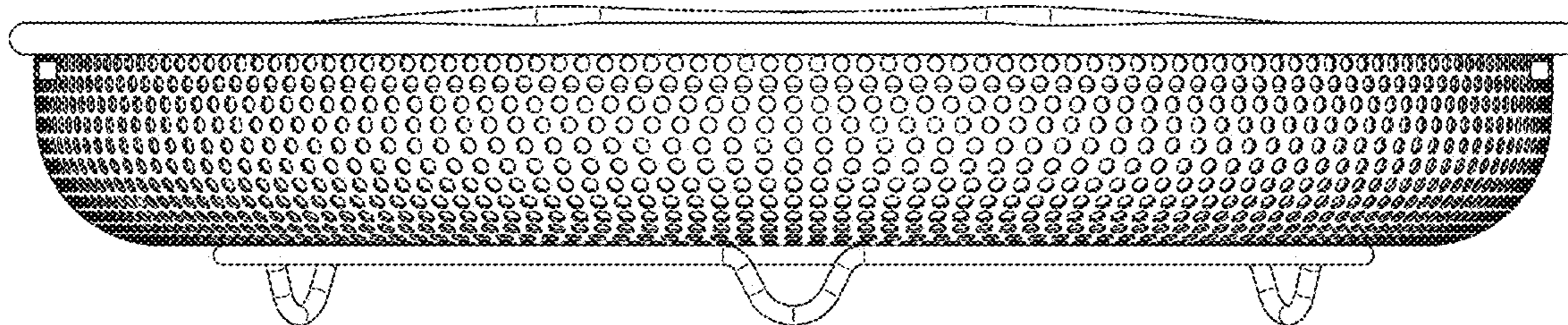


FIG. 4

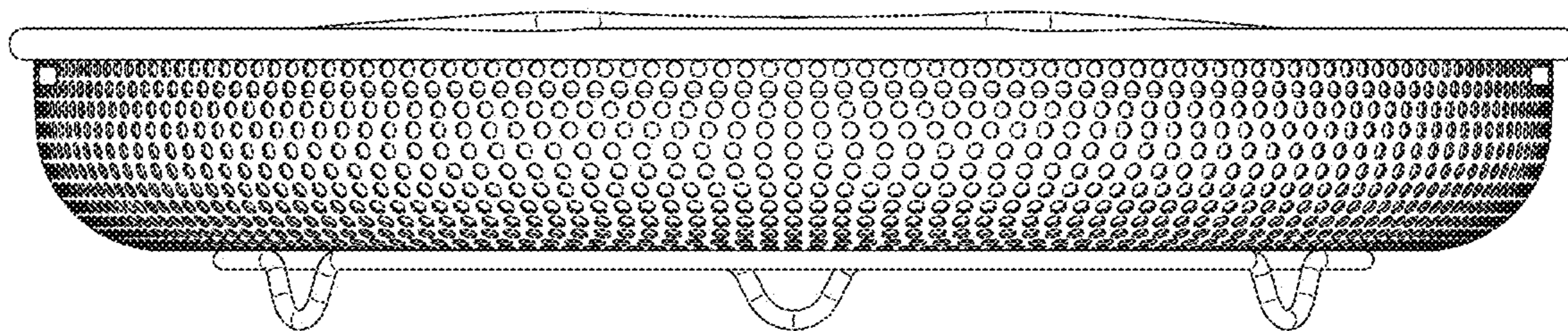


FIG. 5

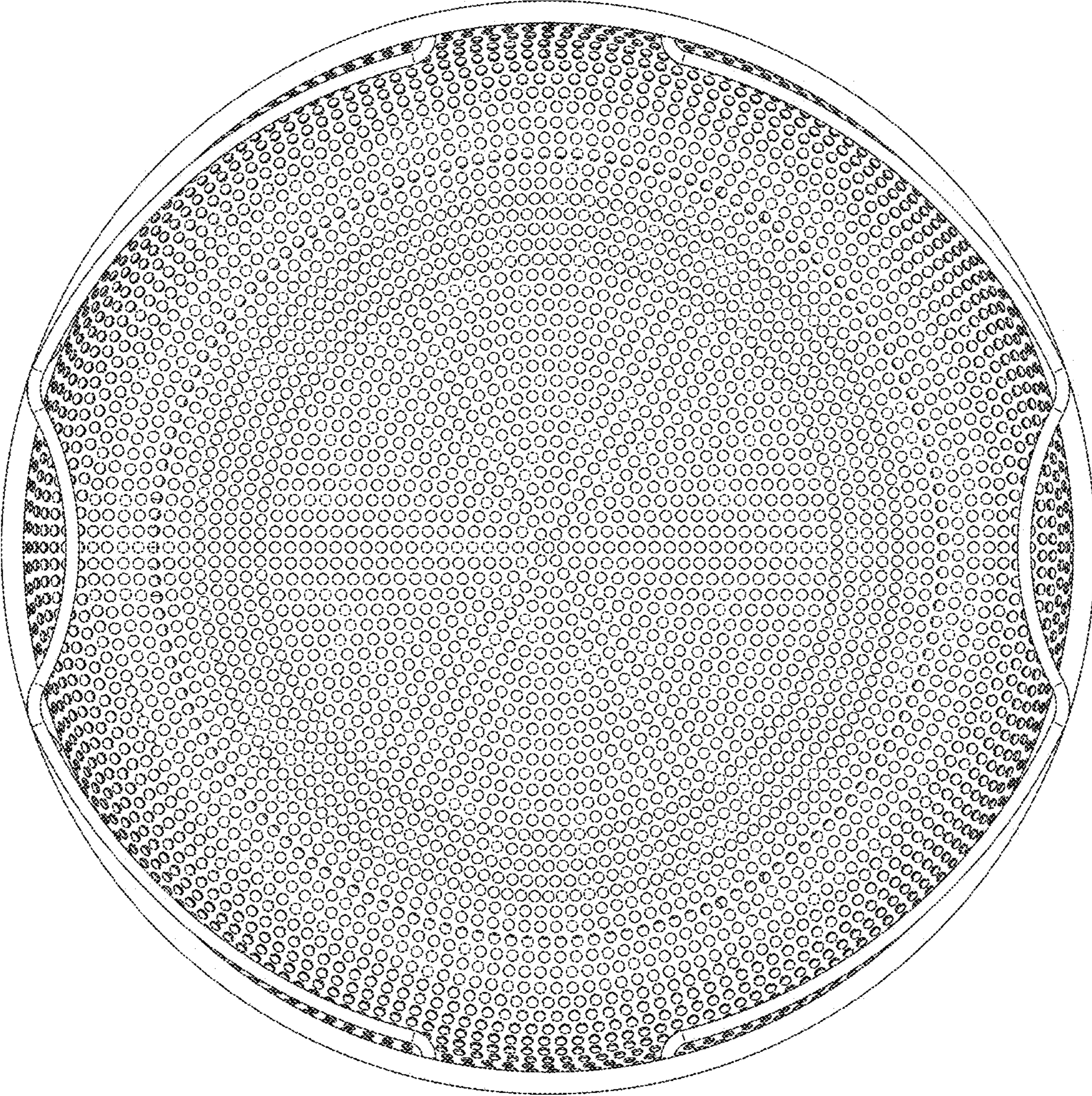


FIG. 6

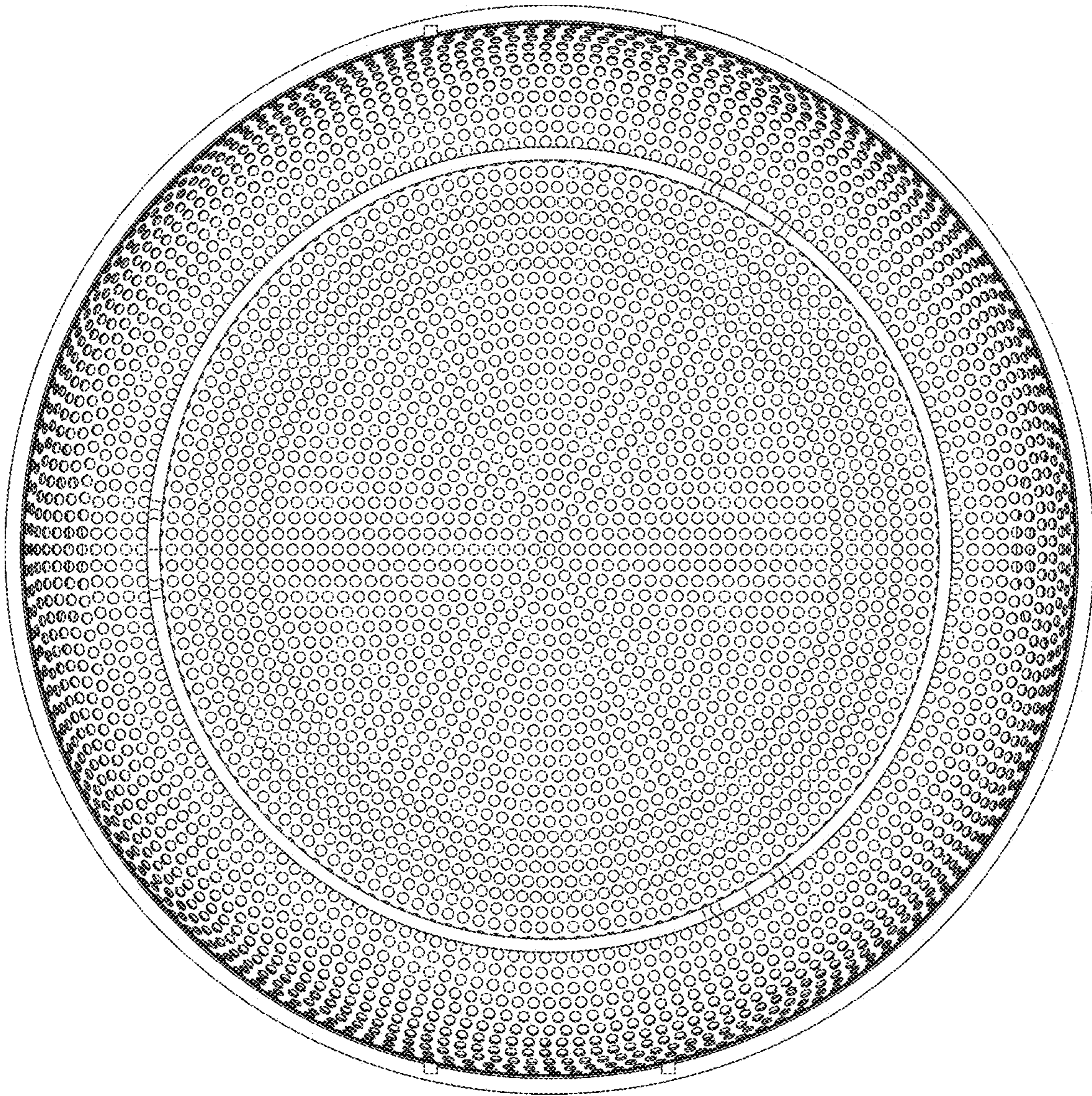


FIG. 7