



US00D959210S

(12) **United States Design Patent** (10) **Patent No.:** **US D959,210 S**  
**Lin** (45) **Date of Patent:** **\*\* Aug. 2, 2022**

(54) **LUNCH BOX**

(71) Applicant: **Zhushi Lin**, Guangdong Province (CN)

(72) Inventor: **Zhushi Lin**, Guangdong Province (CN)

(\*\*) Term: **15 Years**

(21) Appl. No.: **29/787,795**

(22) Filed: **Jun. 8, 2021**

(51) **LOC (13) Cl.** ..... **09-07**

(52) **U.S. Cl.**  
USPC ..... **D7/629**

(58) **Field of Classification Search**  
USPC ..... D7/500, 511, 538, 542, 550.1, 553.2,  
D7/553.4-553.6, 554.3-554.4, 601-602,  
D7/605, 607, 609, 629, 708; D3/11, 201,  
D3/212, 273, 302, 304, 901, 903-905;  
D9/768, 770, 782  
CPC ..... A45C 11/20; B65D 81/18; B65D 81/00  
See application file for complete search history.

(56) **References Cited**

U.S. PATENT DOCUMENTS

D220,448	S	*	4/1971	Swett	.....	D7/629
D224,553	S	*	8/1972	Swett et al.	.....	D7/629
D224,554	S	*	8/1972	Swett et al.	.....	D7/629
D229,916	S	*	1/1974	Schneider	.....	D7/629
3,863,833	A	*	2/1975	Swett	.....	A47J 47/02 229/5.5
D246,289	S	*	11/1977	Boucher	.....	D7/602
D246,560	S	*	12/1977	Beauchamp	.....	D7/629
D279,952	S	*	8/1985	Daenen	.....	D9/425
D280,964	S	*	10/1985	Wolff	.....	D7/629
D284,254	S	*	6/1986	Carlson	.....	D7/629
D325,123	S	*	4/1992	Tiramani	.....	D3/901
D439,159	S	*	3/2001	Chen	.....	D9/425
D472,773	S	*	4/2003	Samartgis	.....	D9/425
D513,122	S	*	12/2005	Greene	.....	D3/273
D527,227	S	*	8/2006	Bertulis	.....	D7/629
D530,516	S	*	10/2006	Snell	.....	D3/304
D530,918	S	*	10/2006	Snell	.....	D3/304

(Continued)

FOREIGN PATENT DOCUMENTS

CN 304950083 \* 12/2018  
CN 306234770 \* 12/2020

(Continued)

OTHER PUBLICATIONS

Fresh & Save Vacuum Sealer Lunch Box, Zwilling, amazon.com, published by Zwilling, first available on Jul. 23, 2020 © 1996-2022 Amazon.com, Inc., online, site visited Mar. 10, 2022. Available at URL: [https://www.amazon.com/ZWILLING-Fresh-Plastic-Vacuum-Lunch/dp/B08DJ6HQB4/ref=sr\\_1\\_8?crid=2JUYSBJ8Y0UMX&keywords=vacuum%2Blunch%2Bbox&qid=1647462985&prefix=vacuum%2Blunch%2Bbox%2B%2Caps%2C141&sr=8-8&th=1](https://www.amazon.com/ZWILLING-Fresh-Plastic-Vacuum-Lunch/dp/B08DJ6HQB4/ref=sr_1_8?crid=2JUYSBJ8Y0UMX&keywords=vacuum%2Blunch%2Bbox&qid=1647462985&prefix=vacuum%2Blunch%2Bbox%2B%2Caps%2C141&sr=8-8&th=1) (Year: 2020).\*

(Continued)

*Primary Examiner* — Sandra Snapp  
*Assistant Examiner* — Altaira J Swangin

(57) **CLAIM**

The ornamental design for a lunch box, as shown and described.

**DESCRIPTION**

FIG. 1 is a front and top perspective view of a lunch box, showing my new design;  
FIG. 2 is a rear and bottom perspective view thereof;  
FIG. 3 is a front elevation view thereof;  
FIG. 4 is a rear elevation view thereof;  
FIG. 5 is a left side elevation view thereof;  
FIG. 6 is a right side elevation view thereof;  
FIG. 7 is a top plan view thereof;  
FIG. 8 is a bottom plan view thereof; and,  
FIG. 9 is another perspective view thereof, shown in an alternative position.  
The broken lines in the figures illustrate portions of the lunch box that form, no part of the claimed design.

**1 Claim, 9 Drawing Sheets**



(56)

References Cited

U.S. PATENT DOCUMENTS

D530,919 S \* 10/2006 Snell ..... D3/304  
 D608,592 S \* 1/2010 Curtin ..... D7/392.1  
 D611,807 S \* 3/2010 Miga, Jr. .... D9/424  
 D633,339 S \* 3/2011 Hart ..... D7/542  
 D656,369 S \* 3/2012 Everson ..... B65D 43/162  
 D795,651 S \* 8/2017 Cimmerer ..... D7/538  
 D814,883 S \* 4/2018 Day ..... D7/629  
 D824,249 S 7/2018 Mei  
 D841,462 S \* 2/2019 Kui ..... D9/425  
 D876,176 S \* 2/2020 Pentelovitch ..... D7/629  
 D876,177 S \* 2/2020 Pentelovitch ..... D7/629  
 D876,178 S \* 2/2020 Pentelovitch ..... D7/629  
 D877,574 S \* 3/2020 Pentelovitch ..... D7/629  
 D878,165 S \* 3/2020 Pentelovitch ..... D7/629  
 D919,293 S \* 5/2021 Fang ..... D3/294  
 D931,064 S \* 9/2021 Xu ..... D7/629  
 D932,255 S \* 10/2021 Dinkheller ..... D7/629  
 2019/0202607 A1 \* 7/2019 Lee ..... B65D 43/0208

FOREIGN PATENT DOCUMENTS

CN 306409452 \* 3/2021  
 EP 008543102-0001 \* 5/2021  
 EP 008543102-0002 \* 5/2021

OTHER PUBLICATIONS

Vac 'n Save Ruby Rectangular Shaped Vacuum-Sealing Food Storage Containers, Zevro, amazon.com, published by ZevrO, first available on Jun. 4, 2008 © 1996-2022 Amazon.com, Inc., online, site visited Mar. 16, 2022. Available at URL: [https://www.amazon.com/KCH-06093-Rectangular-Shaped-Vacuum-Sealing-Food-Storage-Containers/dp/B001A5W7L4/ref=sr\\_1\\_1?crd=3PTKL39E0CY1X&keywords=vacuum%2Bseal%2Bfood%2Bstorage%2Bcontainers&qid=1647463340&srefix=vacuum%2Bseal%2Bfood%2Bstorage%2Bcontainers%2Caps%2C78&sr=8-1&th=1](https://www.amazon.com/KCH-06093-Rectangular-Shaped-Vacuum-Sealing-Food-Storage-Containers/dp/B001A5W7L4/ref=sr_1_1?crd=3PTKL39E0CY1X&keywords=vacuum%2Bseal%2Bfood%2Bstorage%2Bcontainers&qid=1647463340&srefix=vacuum%2Bseal%2Bfood%2Bstorage%2Bcontainers%2Caps%2C78&sr=8-1&th=1) (Year: 2008).\*

\* cited by examiner

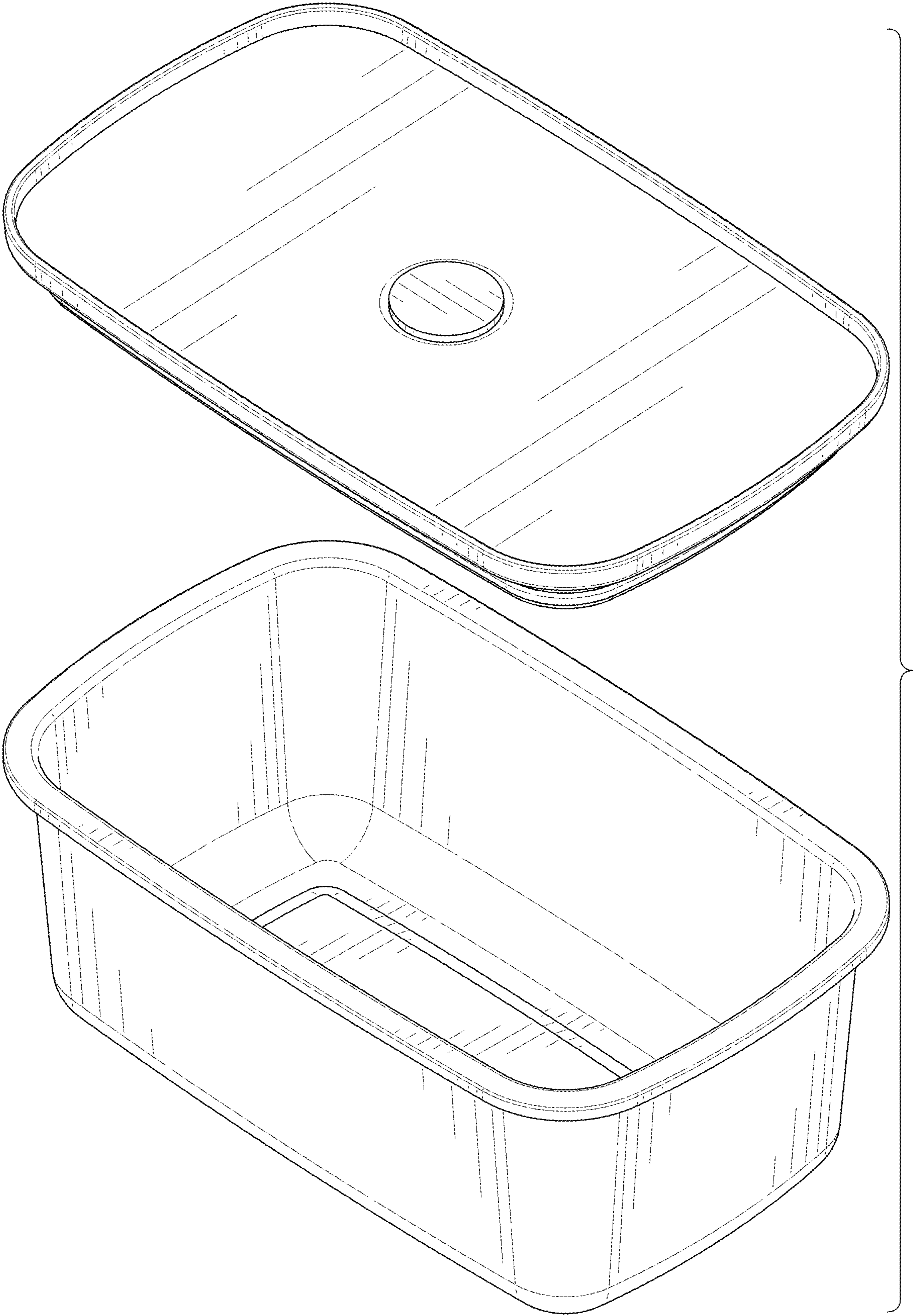


FIG. 1

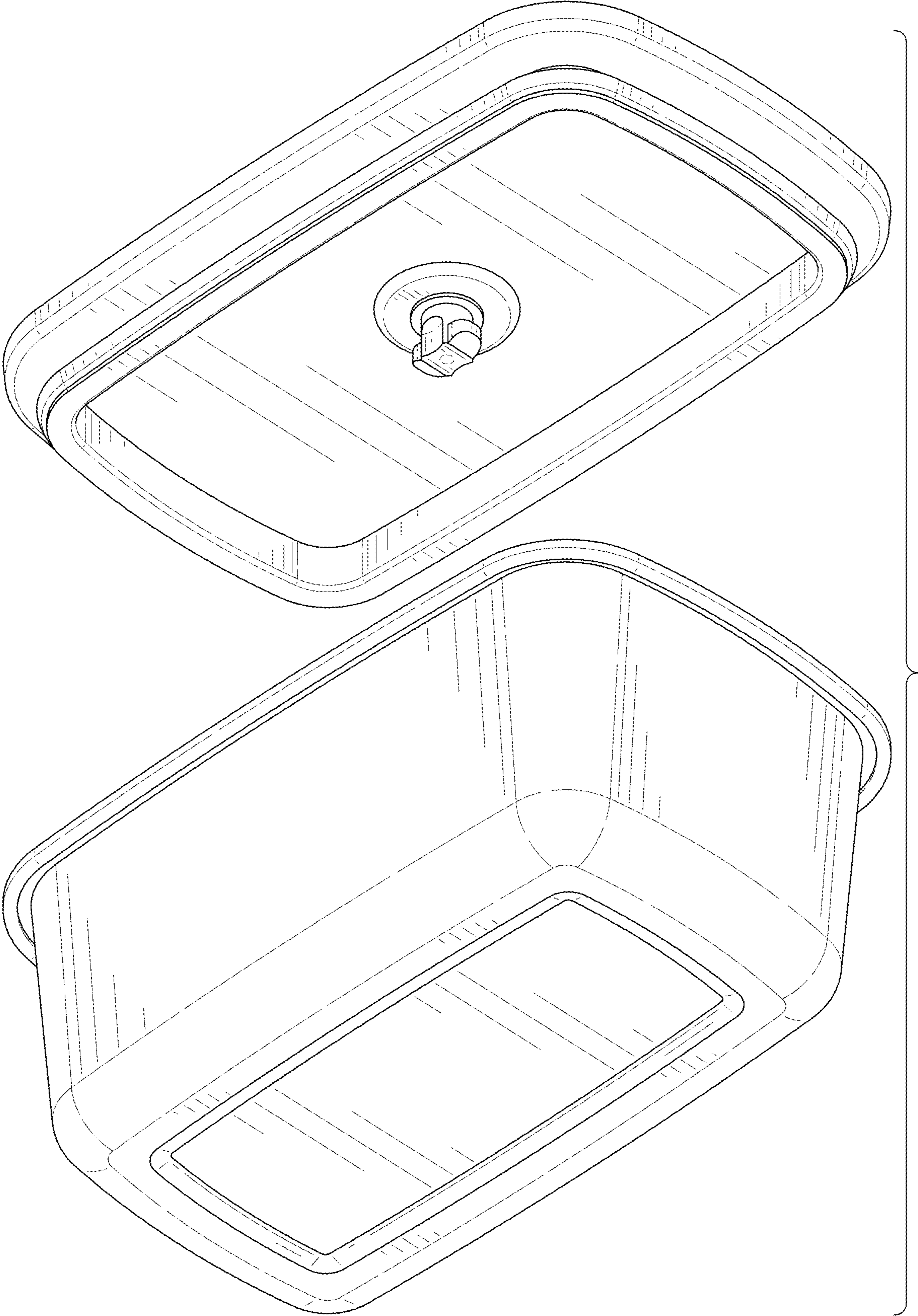


FIG. 2

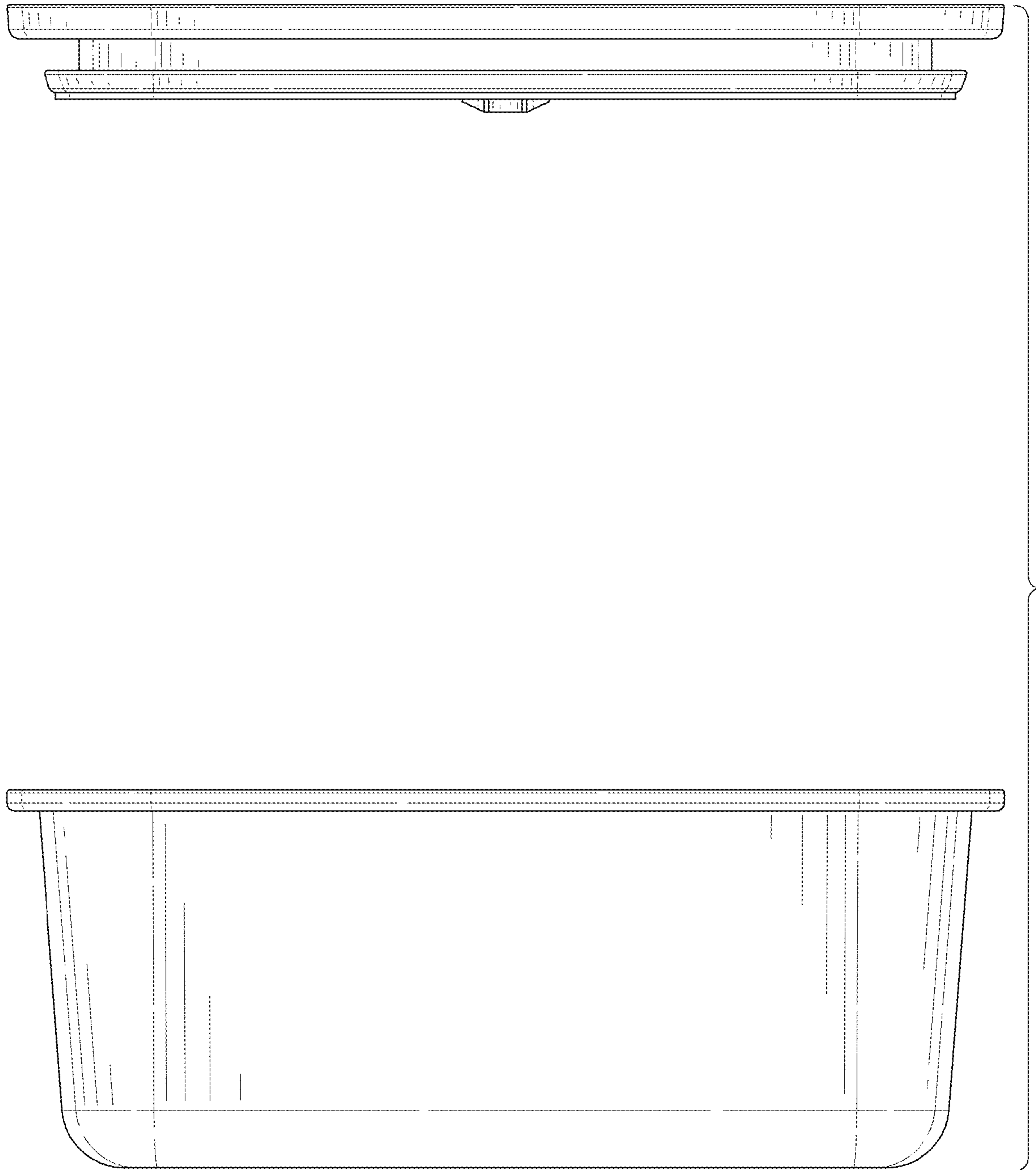


FIG. 3

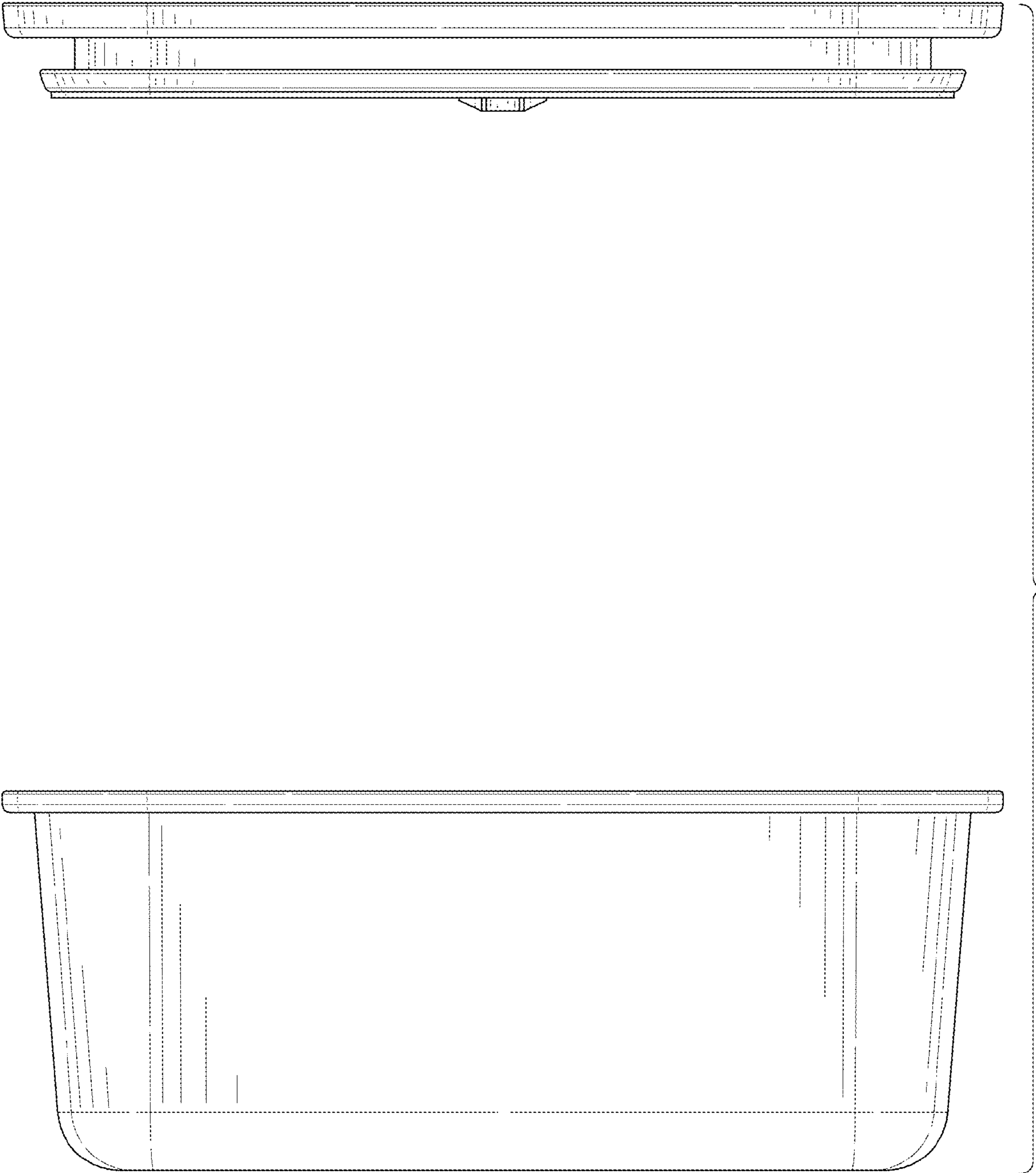


FIG. 4

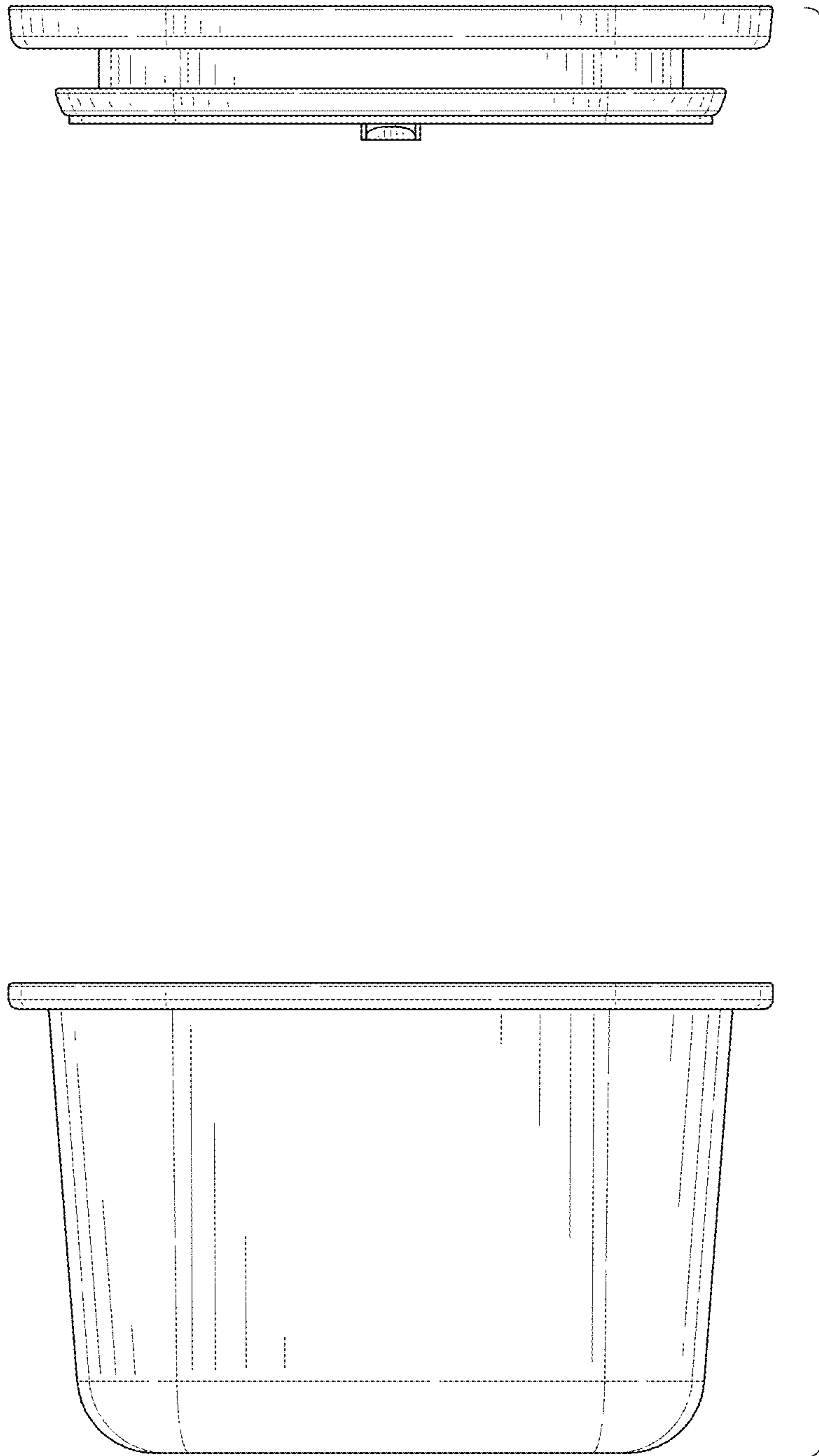


FIG. 5

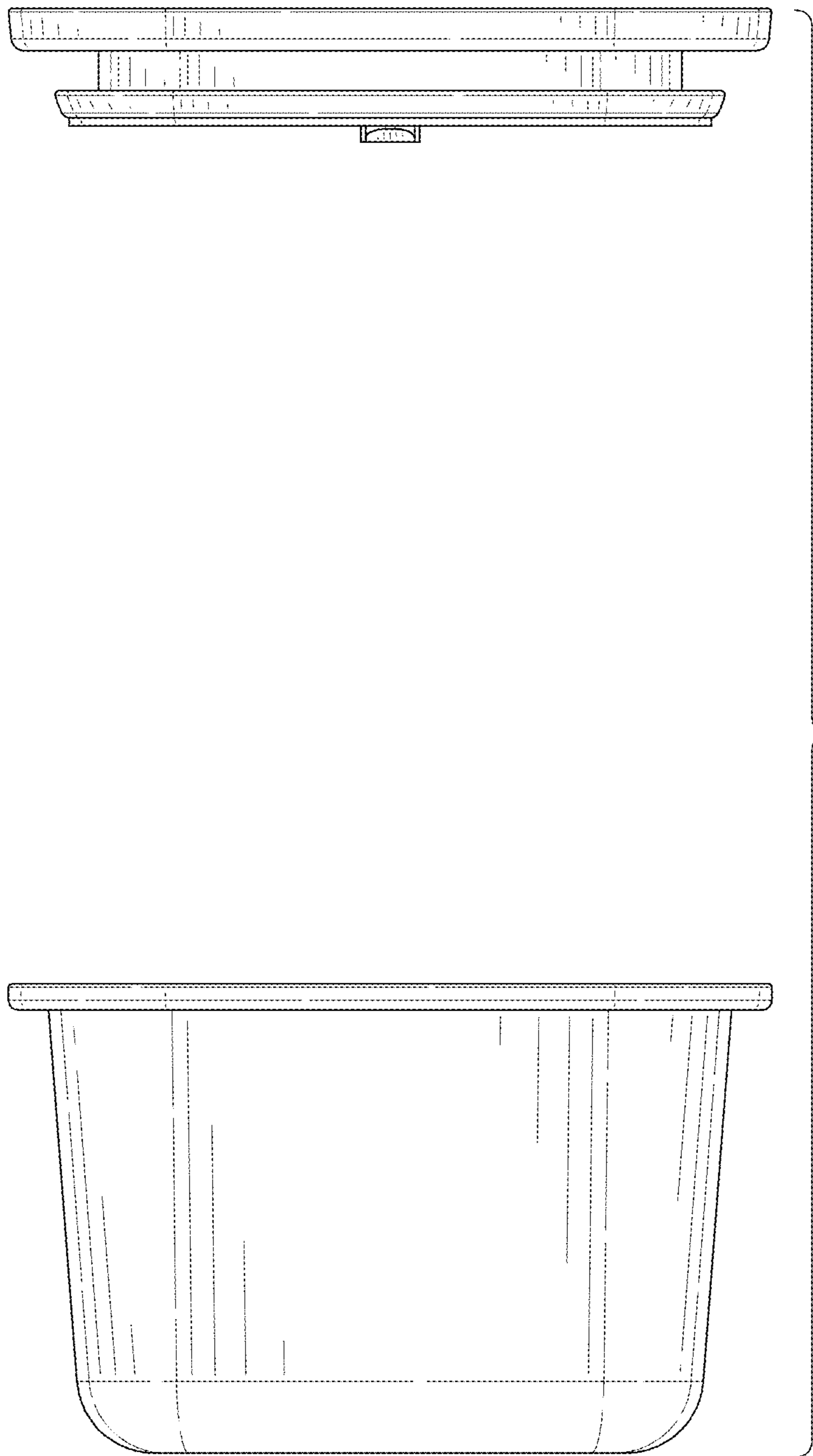


FIG. 6



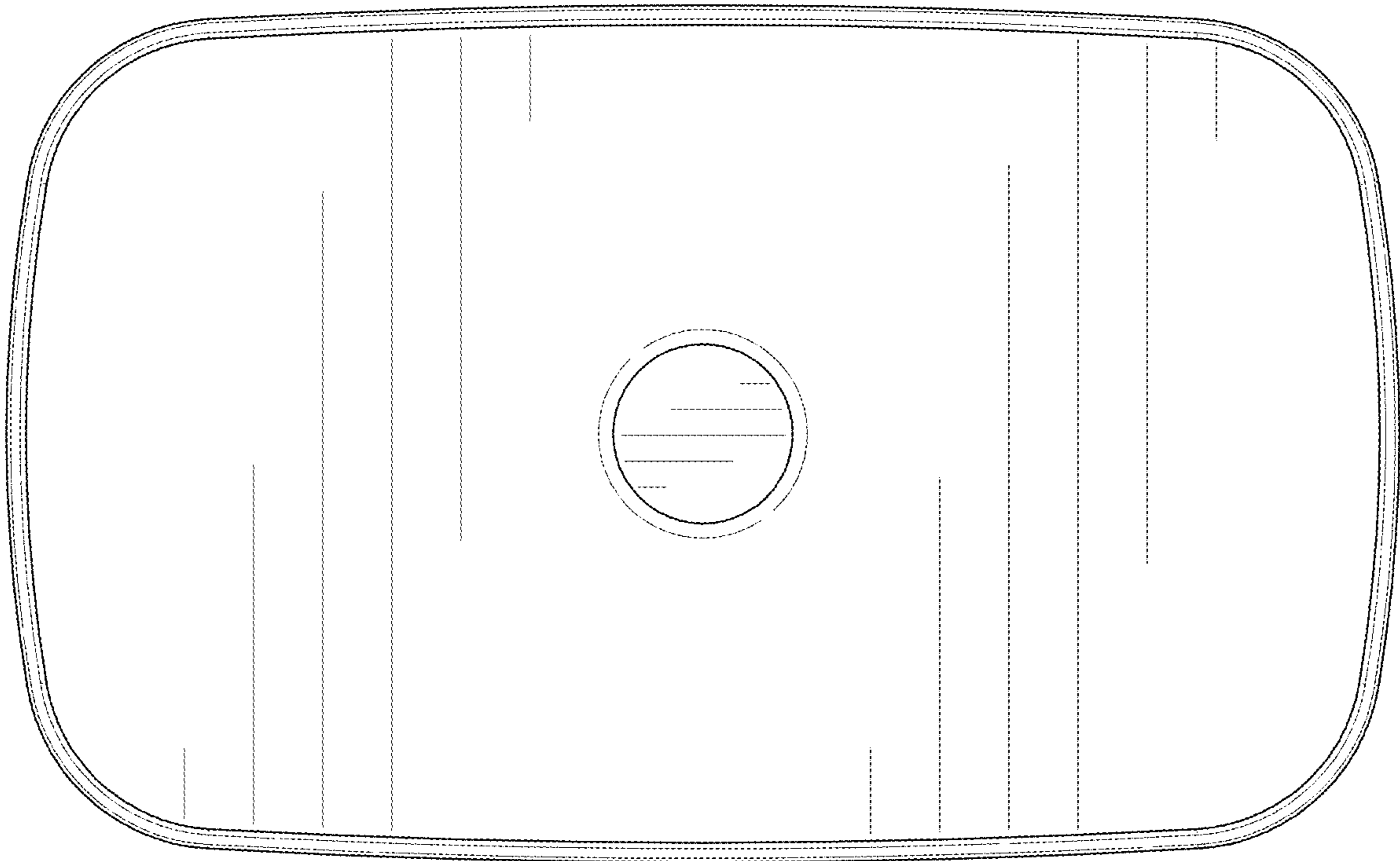


FIG. 7

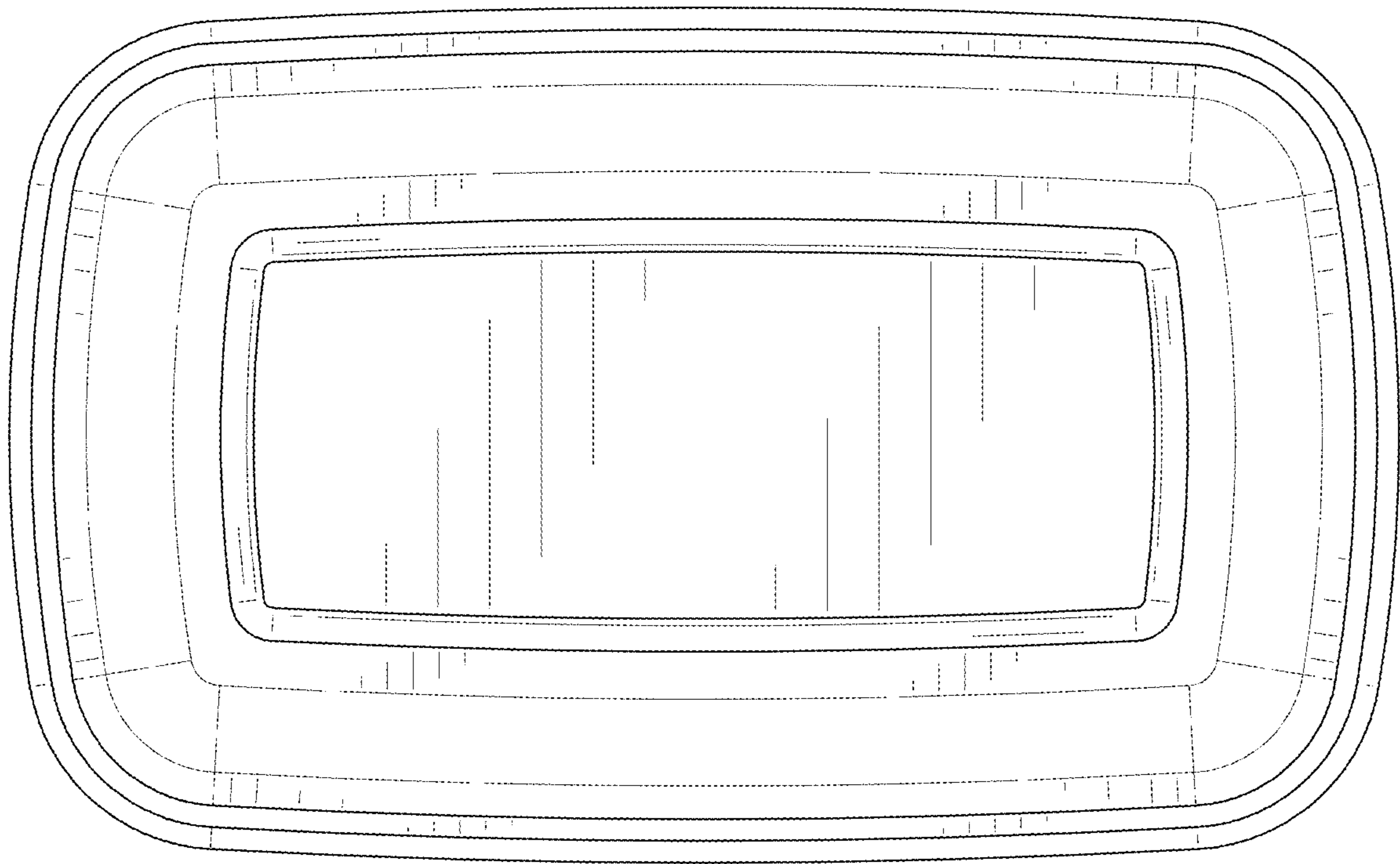


FIG. 8

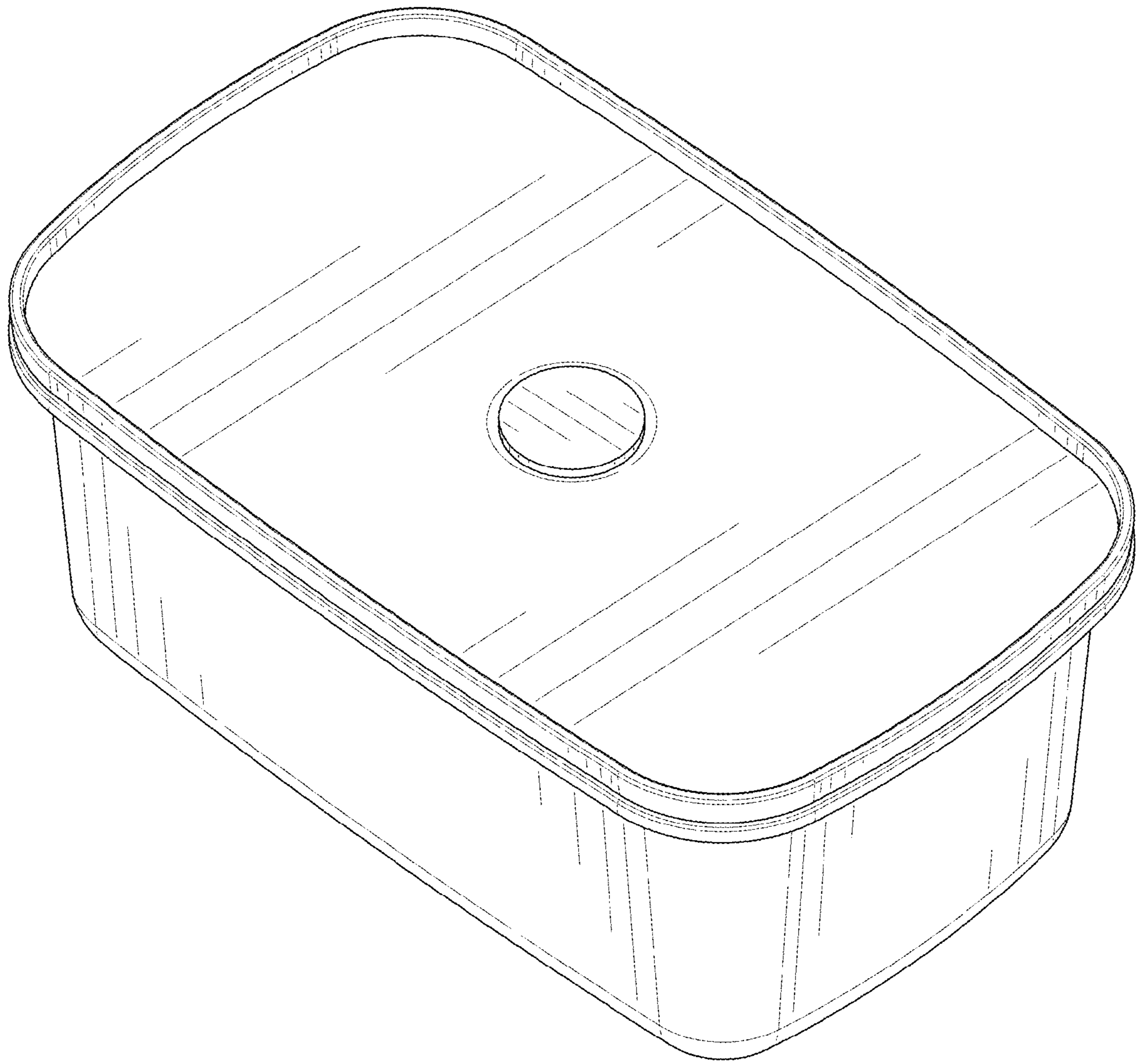


FIG. 9