



US00D959209S

(12) **United States Design Patent**
Holmes et al.

(10) **Patent No.:** **US D959,209 S**
(45) **Date of Patent:** **** Aug. 2, 2022**

(54) **LIDDED CONTAINER**
(71) Applicant: **Sistema Plastics Limited**, Auckland (NZ)
(72) Inventors: **Raymond Holmes**, Auckland (GB); **Cameron Lindsay**, Auckland (NZ)
(73) Assignee: **SISTEMA PLASTICS LIMITED**, Auckland (NZ)

D489,530 S 5/2004 Lindsay
6,761,283 B1 * 7/2004 Gilliam B65D 43/0218
220/837
6,772,904 B1 * 8/2004 Gilliam B65D 23/102
220/675

(Continued)

FOREIGN PATENT DOCUMENTS

CN ZL201230324579.9 2/2013
CN 304039164 * 2/2017
EM 007999966-0001 * 1/2020

(**) Term: **15 Years**

OTHER PUBLICATIONS

(21) Appl. No.: **29/744,630**
(22) Filed: **Jul. 30, 2020**

Klip It Plus 400 ml Rectangle Container, Sistema, sistemaplastics.com, author unlisted, published on Sep. 19, 2020 per wayback machine © 2021 Sistema Plastics, online, site visited Sep. 15, 2021. Available at URL: <https://sistemaplastics.com/products/klip-it-plus/400ml-rectangle1> (Year: 2020).*

(30) **Foreign Application Priority Data**

(Continued)

Jan. 30, 2020 (NZ) NZ427055

(51) **LOC (13) Cl.** **09-07**

Primary Examiner — Sandra Snapp

(52) **U.S. Cl.**
USPC **D7/629**

Assistant Examiner — Altaira J Swangin

(58) **Field of Classification Search**
USPC D7/500, 511, 538, 550.1, 553.4–553.6,
D7/554.2, 601, 605, 608, 629, 708, 710;
D3/11, 201, 207, 212, 273, 294, 302, 304,
D3/901, 903–905; D9/767, 772, 781;
D13/108

(74) *Attorney, Agent, or Firm* — McCarter & English, LLP

CPC A24F 23/00; A45C 11/20

See application file for complete search history.

(57) **CLAIM**

The ornamental design for a lidded container, as shown and described.

(56) **References Cited**

DESCRIPTION

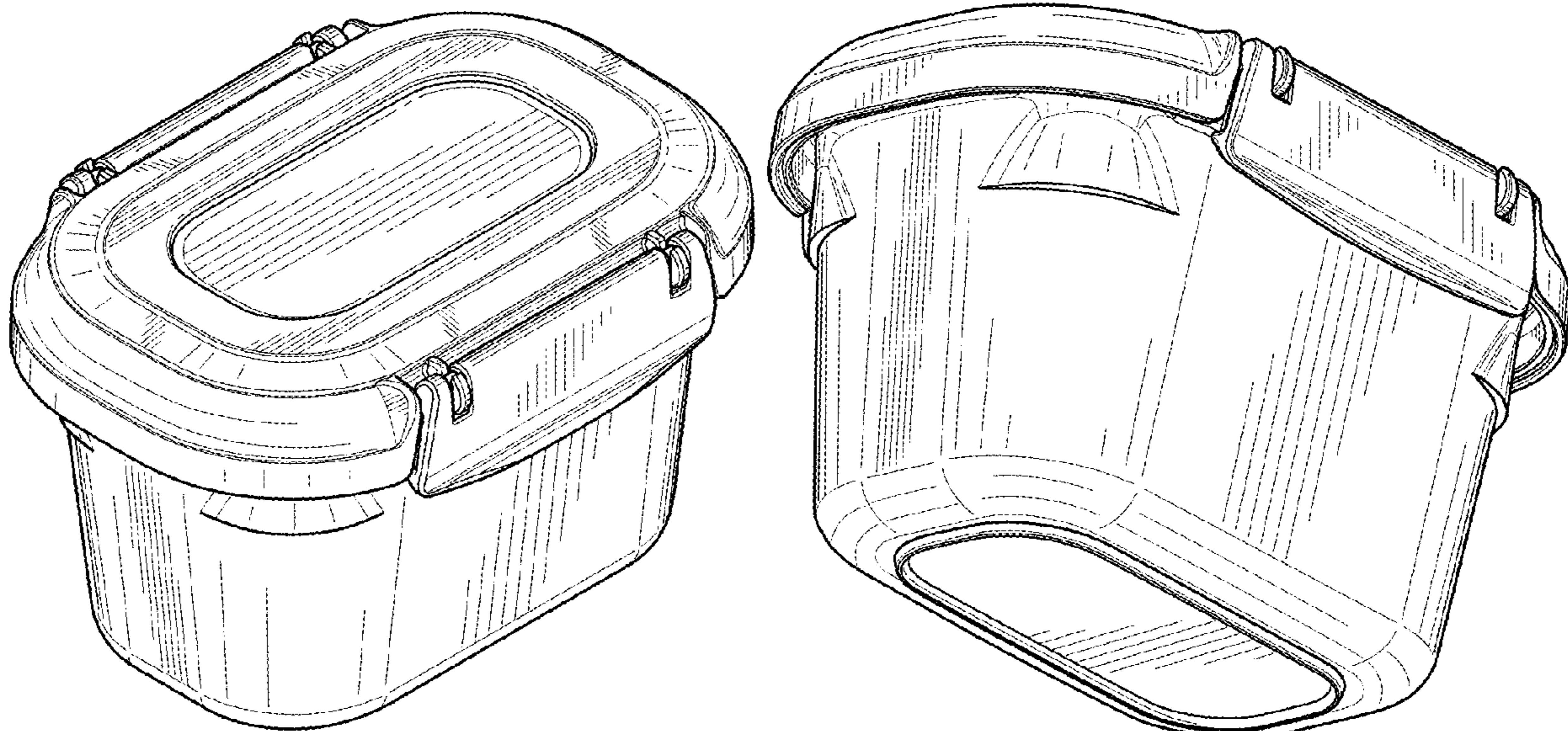
U.S. PATENT DOCUMENTS

D407,974 S * 4/1999 Zimmer D9/428
D469,689 S * 2/2003 Buchalski D9/425
D481,910 S * 11/2003 Kim D7/629
D483,622 S * 12/2003 Kim D7/629

FIG. 1 is a top front perspective view of a lidded container; FIG. 2 is a bottom front perspective view of the lidded container of FIG. 1;

FIG. 3 is a front view of the lidded container of FIG. 1; FIG. 4 is a rear view of the lidded container of FIG. 1; FIG. 5 is a right side view of the lidded container of FIG. 1; FIG. 6 is a left side view of the lidded container of FIG. 1; FIG. 7 is a top view of the lidded container of FIG. 1; and, FIG. 8 is a bottom view of the lidded container of FIG. 1.

1 Claim, 8 Drawing Sheets



(56)

References Cited

U.S. PATENT DOCUMENTS

D544,762 S *	6/2007	Zimmerman	D7/601
D661,182 S *	6/2012	Noer	D9/428
D805,363 S *	12/2017	Weinberg	D7/703
D853,118 S *	7/2019	Gasbarro	D3/302
D877,574 S *	3/2020	Pentelovitch	D7/629
D904,133 S *	12/2020	Armistead	D7/629
D904,134 S *	12/2020	Choi	D7/629
D919,429 S *	5/2021	Timar	D9/428
D922,154 S *	6/2021	Zou	D7/629
D929,736 S *	9/2021	Dai	D3/302
2007/0062948 A1 *	3/2007	Albrecht	B65D 51/1627 220/366.1

OTHER PUBLICATIONS

Oval Food Container, brand unlisted, proimprint.com, author unlisted, published on Sep. 19, 2020 per wayback machine © 2021 Sistema Plastics, online, site visited Sep. 15, 2021. Available at URL: <https://sistemaplastics.com/products/klip-it-plus/400ml-rectangle1> (Year: 2020).*

Food Storage Container, Sistema, amazon.com, published by Sistema, first available on Jul. 3, 2018 © 1996-2021 Amazon.com, Inc., online, site visited Sep. 29, 2021. Available at URL: <https://www.amazon.com/Sistema-Brilliance-55110-storage-container/dp/B07DDZTS9C?th=1> (Year: 2018).*

Locking Food Storage Container, Tritan, amazon.com, published by Amazon Basics, first available on Jun. 15, 2019 © 1996-2021 Amazon.com, Inc., online, site visited Sep. 29, 2021. Available at URL: <https://www.amazon.com/AmazonBasics-Locking-Storage-Container-10-Piece/dp/B07KYSDN7W> (Year: 2019).*

* cited by examiner

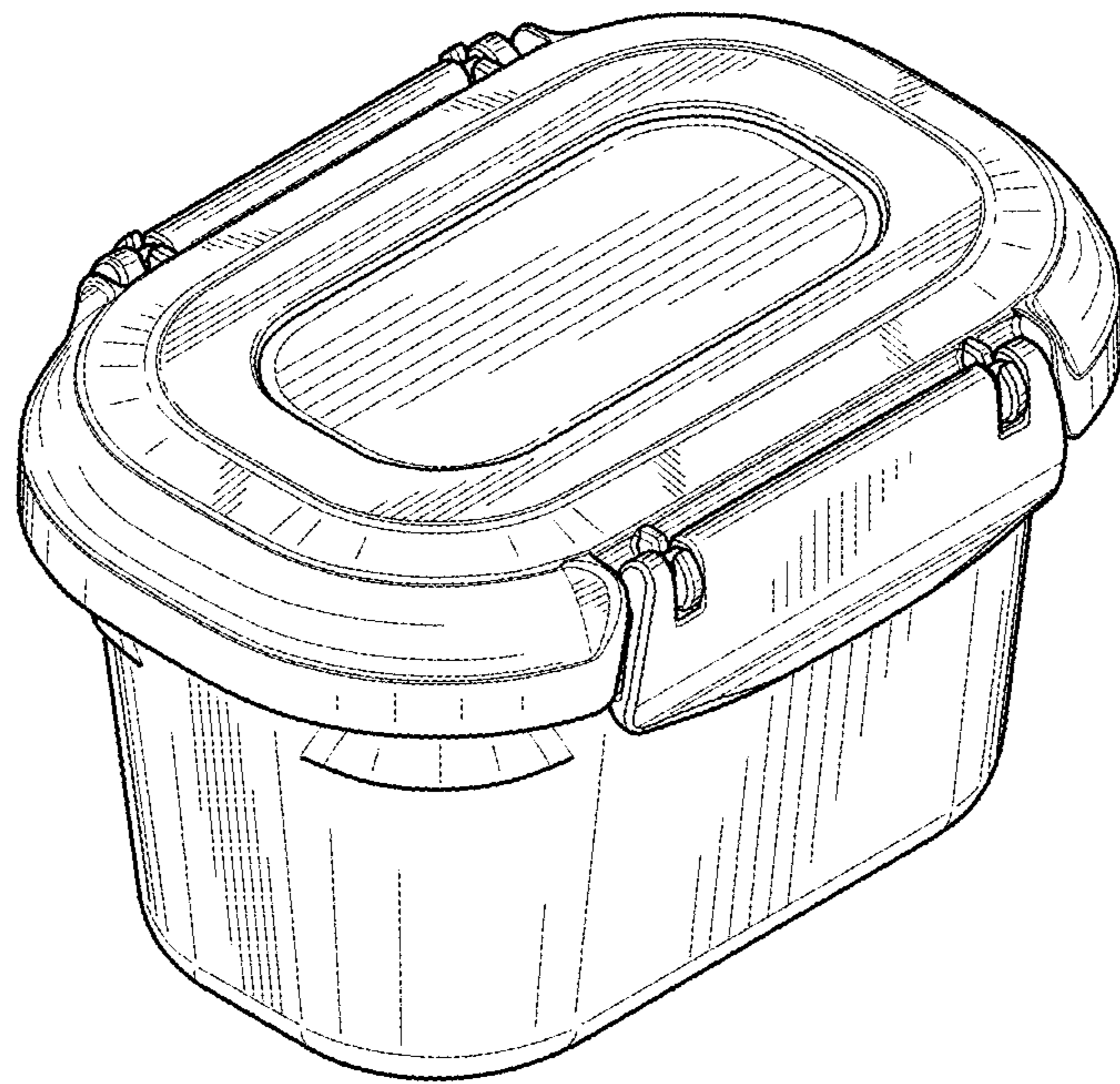


Fig 1

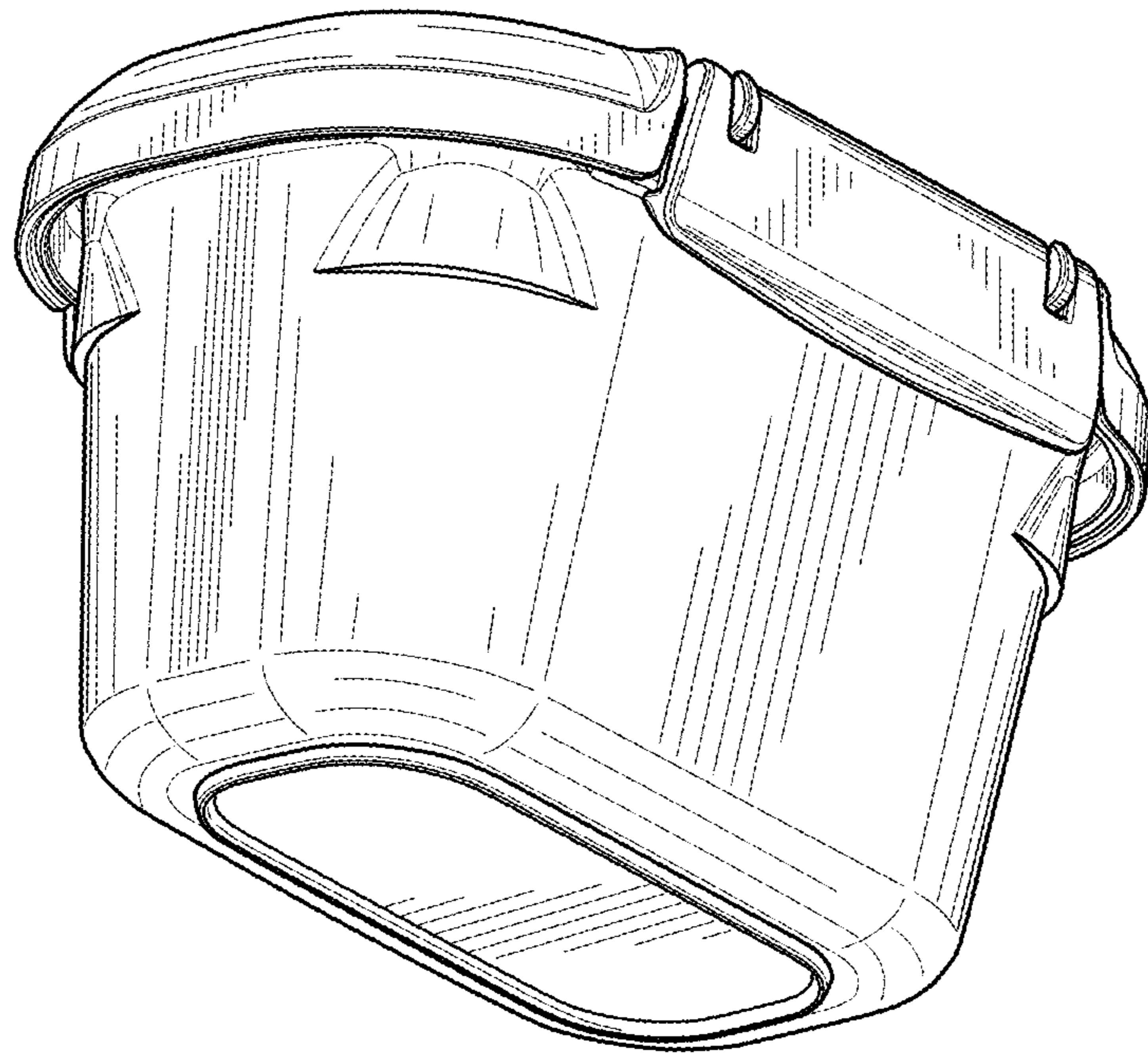


Fig 2

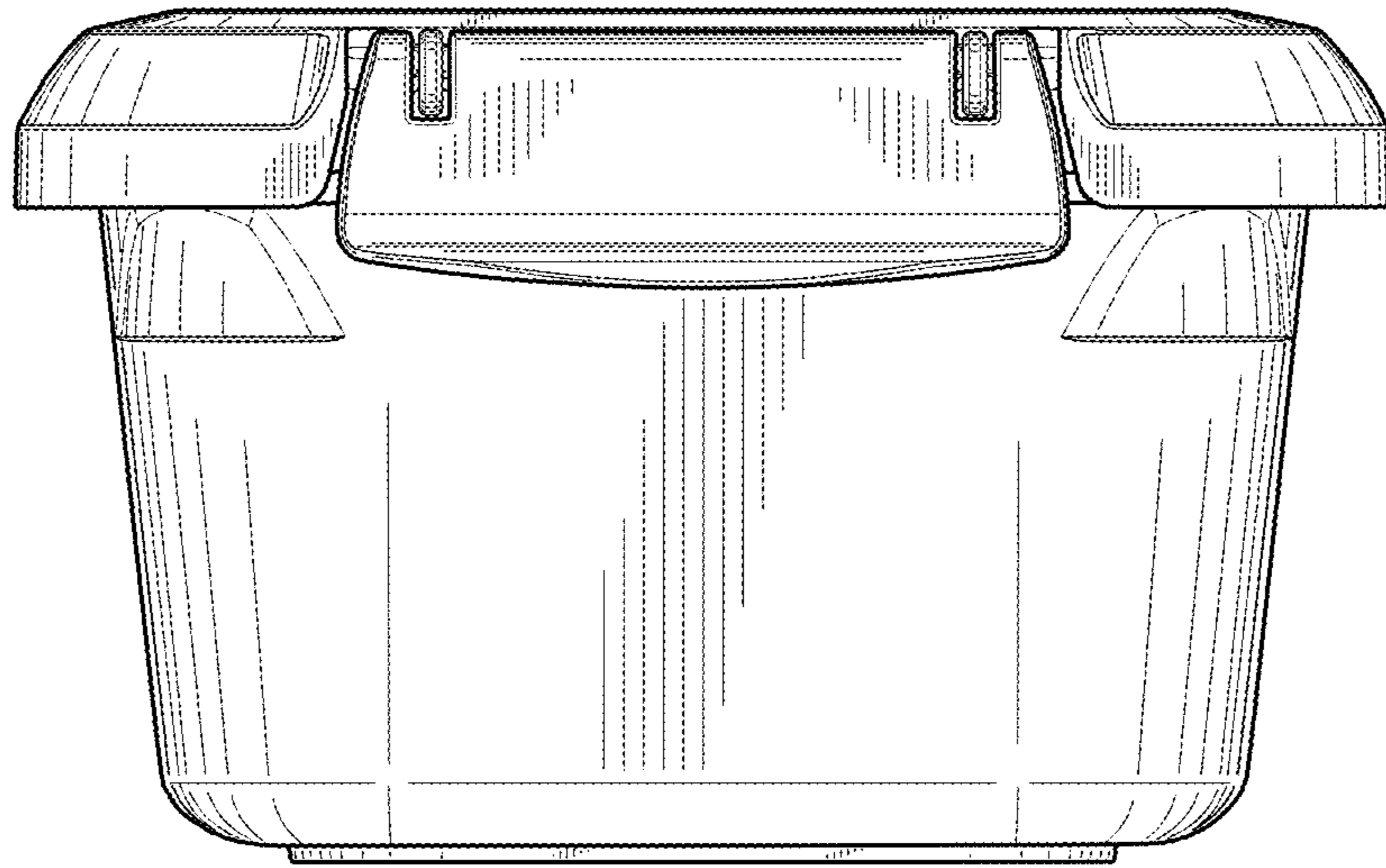


Fig 3

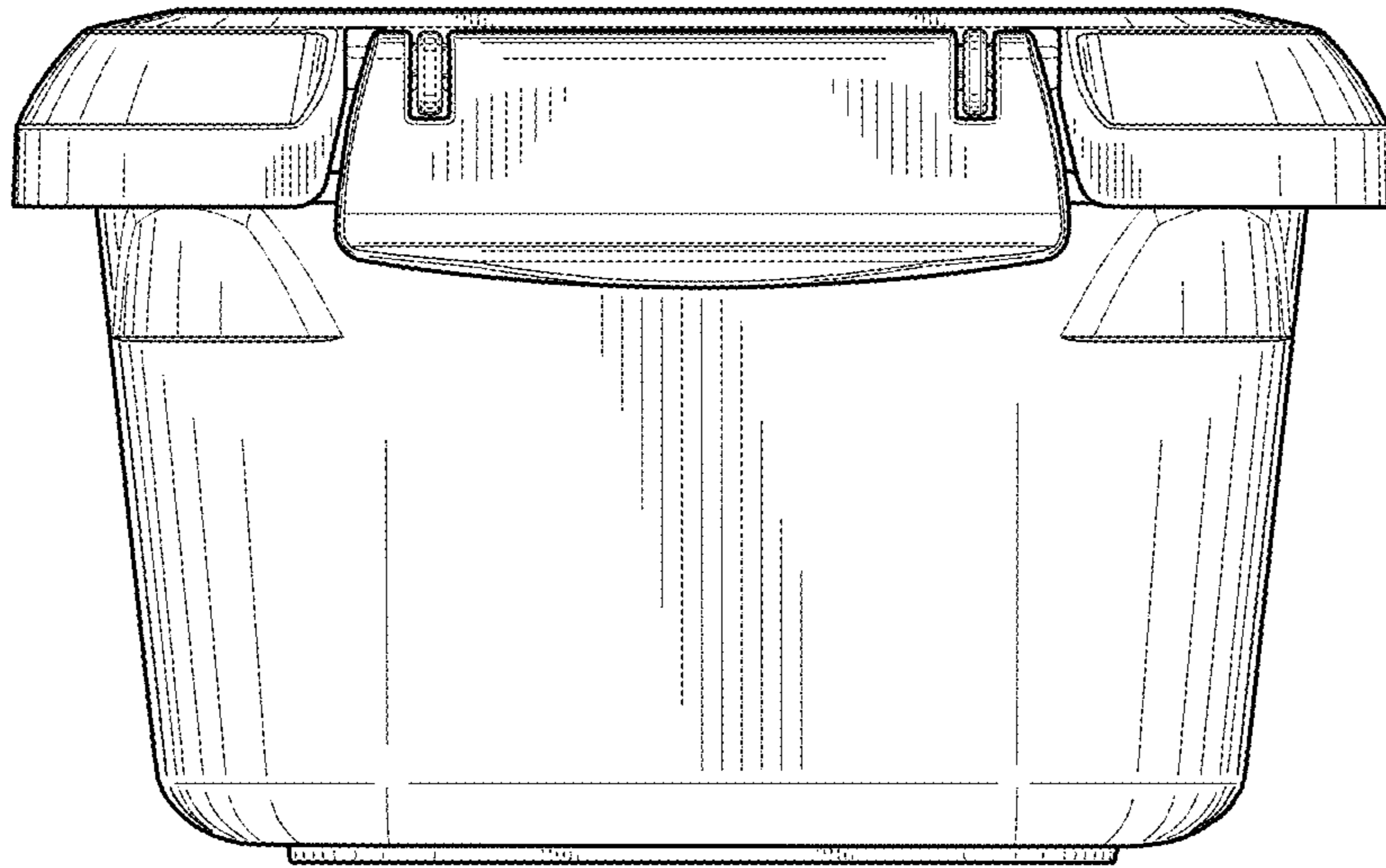


Fig 4

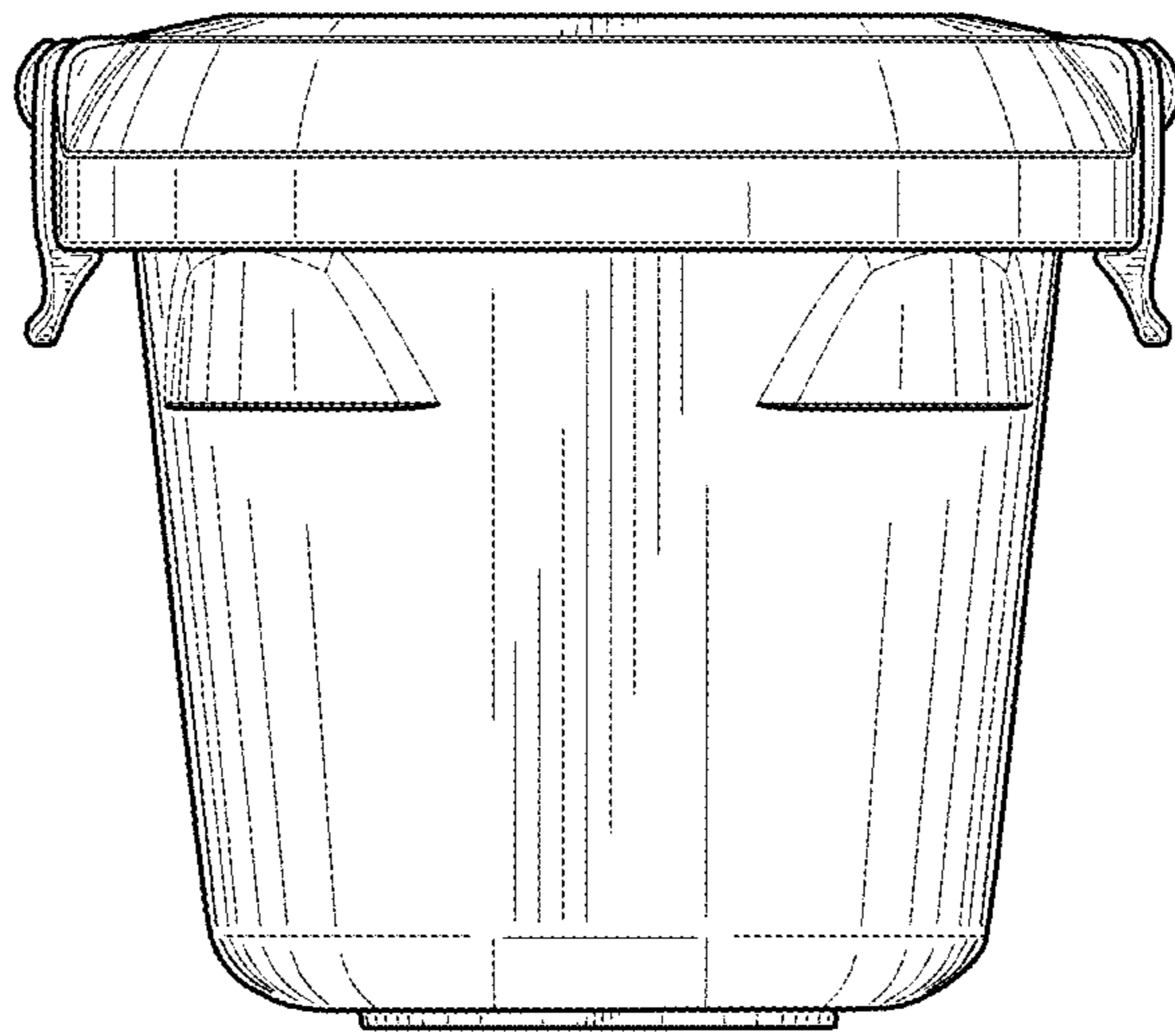


Fig 5

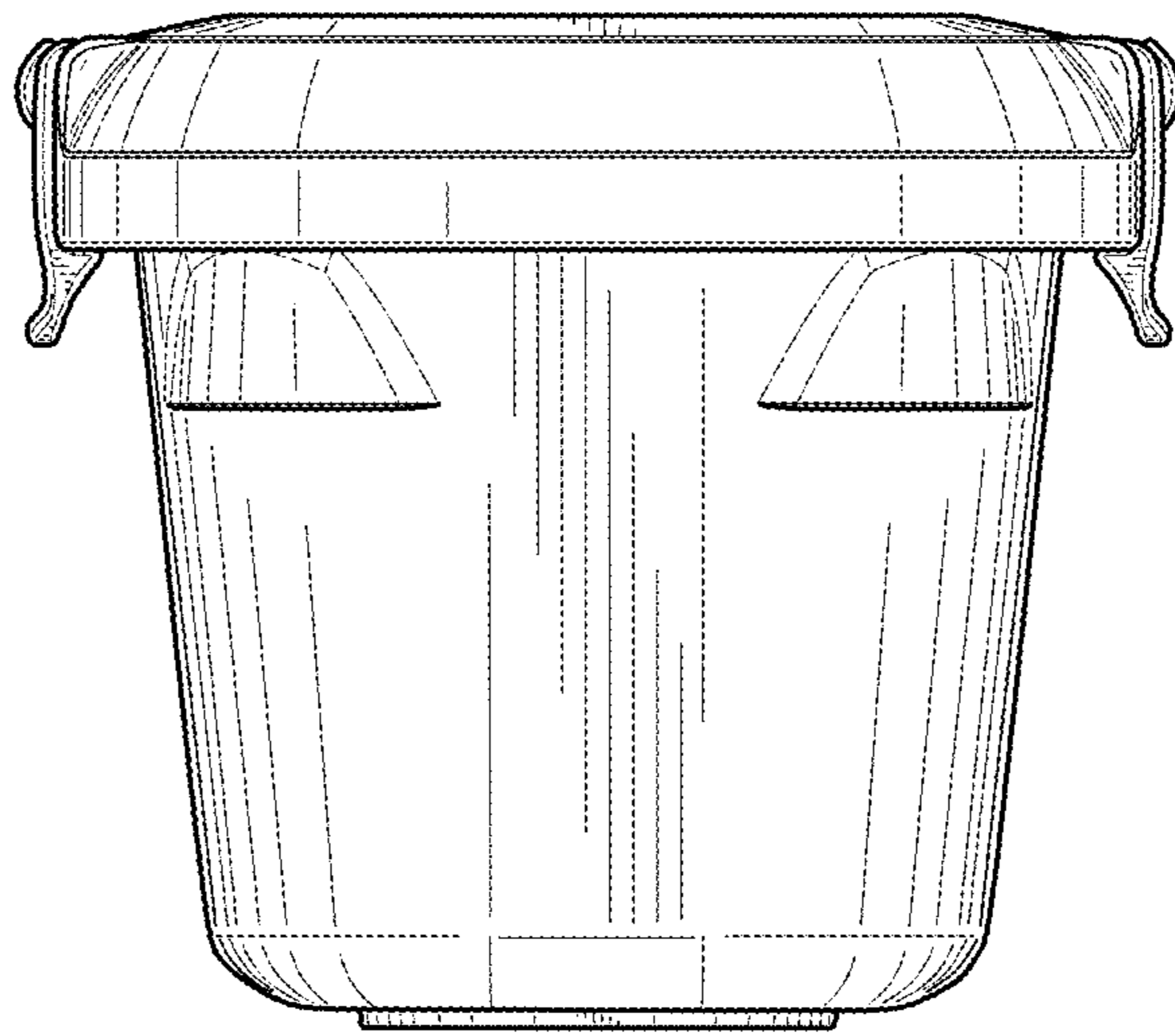


Fig 6

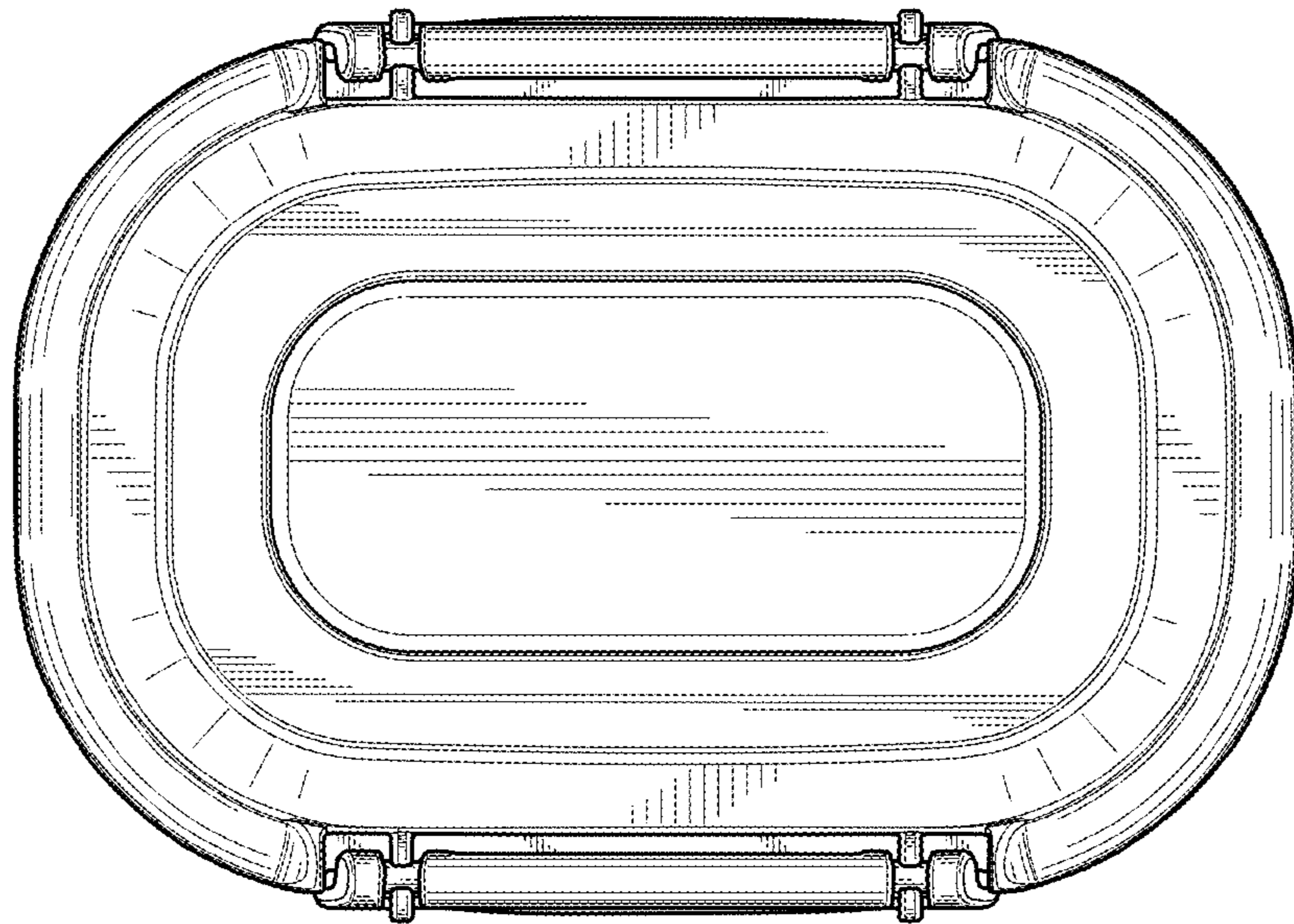


Fig 7

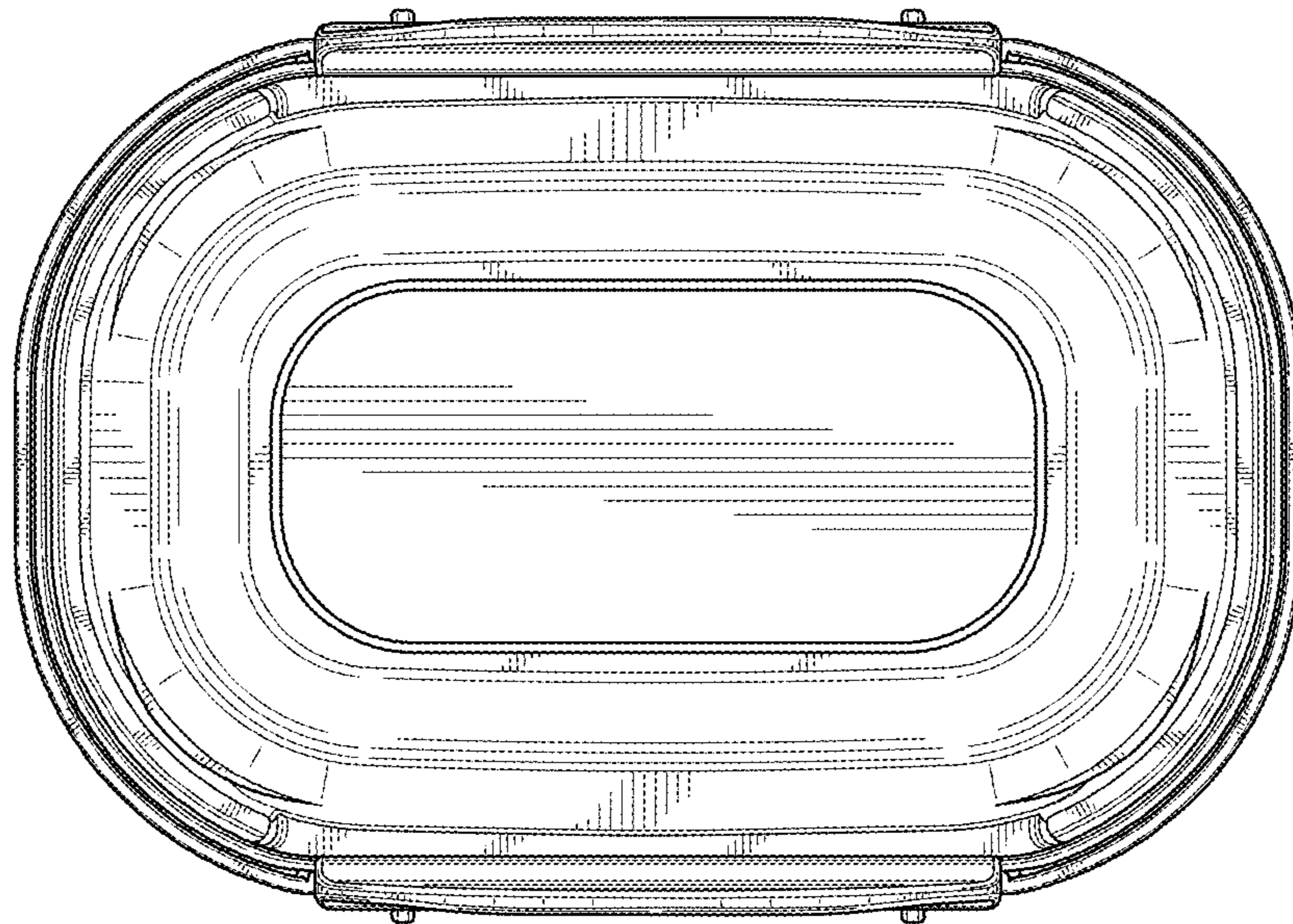


Fig 8