



US00D959203S

(12) **United States Design Patent** (10) **Patent No.:** **US D959,203 S**  
**Kent et al.** (45) **Date of Patent:** **\*\* Aug. 2, 2022**

(54) **BOTTLE**  
(71) Applicant: **Revelution Technology, LLC**, Carson, CA (US)  
(72) Inventors: **Joshua Kent**, Carson, CA (US);  
**Christanne Cabal**, Carson, CA (US);  
**DanAngelo Cabal**, Chesapeake, VA (US);  
**Rebekah Cabal**, Chesapeake, VA (US)

D772,652 S \* 11/2016 Yao ..... D7/510  
D786,072 S \* 5/2017 Breit ..... D9/443  
D792,216 S \* 7/2017 Breit ..... D9/443  
D807,110 S \* 1/2018 Lown ..... D7/391  
D814,236 S \* 4/2018 Rolfson ..... D9/449  
D816,412 S \* 5/2018 Yao ..... D7/532  
D817,085 S \* 5/2018 Davis ..... D7/392.1  
D818,774 S \* 5/2018 Stover ..... D7/532  
D828,722 S \* 9/2018 Davis ..... D7/532

(Continued)

**FOREIGN PATENT DOCUMENTS**

(73) Assignee: **REVELUTION TECHNOLOGY, LLC**, Carson, CA (US)

CN 304966086 \* 12/2018  
CN 305064667 \* 3/2019

(Continued)

(\*\*) Term: **15 Years**

**OTHER PUBLICATIONS**

(21) Appl. No.: **29/717,032**

(22) Filed: **Dec. 13, 2019**

Contigo, "Contigo Shake & Go Fit Double—Wall Twist Lid Shaker Bottle," Jan. 5, 2017, Amazon.com, www.amazon.com/Contigo-Double-Wall-Shaker-Bottle-Blizzard/dp/B01N30RXYK (Year: 2017).\*

(51) **LOC (13) Cl.** ..... **07-01**

(Continued)

(52) **U.S. Cl.**  
USPC ..... **D7/511; D7/300.1**

(58) **Field of Classification Search**  
USPC ..... D3/202; D7/300, 300.1, 320, 392.1,  
D7/396.2, 507, 509–511, 529–536, 591,  
D7/619.1; D9/501–504, 522, 529, 530,  
D9/549, 554, 556, 558, 566, 567, 569  
CPC ..... A47G 19/22; A47G 19/2205; A47G  
19/2211; A47G 19/2288; A47J 43/042;  
A47J 43/27; B65D 47/08; B65D 47/0833;  
B65D 47/0885; B65D 47/0895; B65D  
47/122  
See application file for complete search history.

*Primary Examiner* — Joseph Kukella  
*Assistant Examiner* — Arva P Adams  
(74) *Attorney, Agent, or Firm* — Snell & Wilmer LLP

(57) **CLAIM**

The ornamental design for a bottle, as shown and described.

**DESCRIPTION**

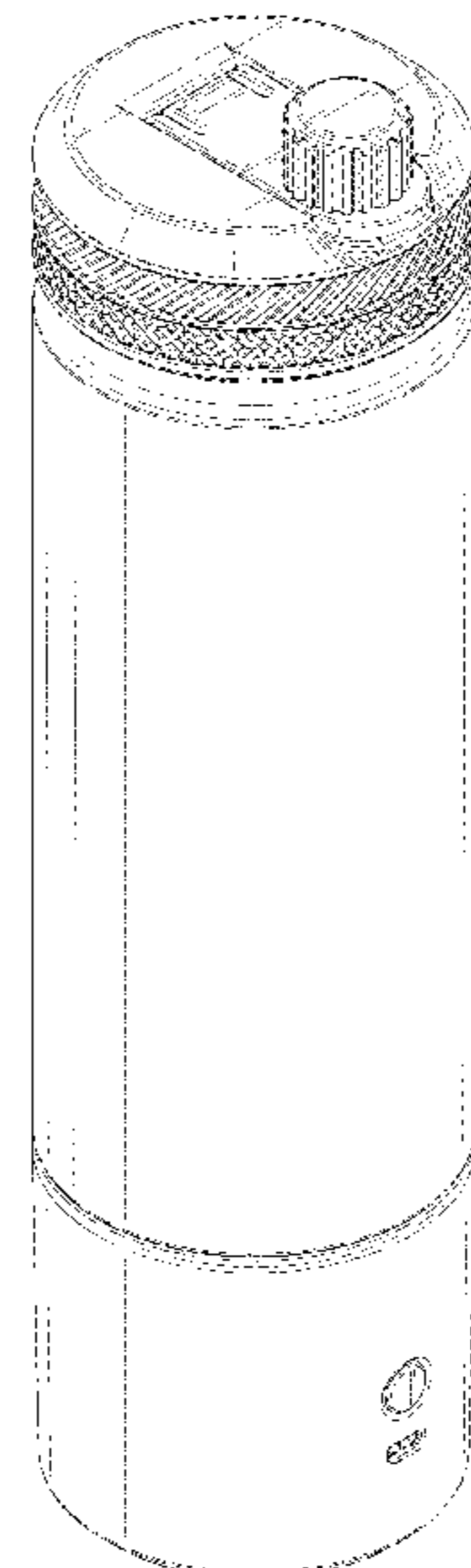
FIG. 1 is an elevated perspective view of a bottle, showing our new design;  
FIG. 2 is a left side view thereof;  
FIG. 3 is a right side view thereof;  
FIG. 4 is a back view thereof;  
FIG. 5 is a front view thereof;  
FIG. 6 is a top side view thereof; and,  
FIG. 7 is a bottom side view thereof.

(56) **References Cited**

**U.S. PATENT DOCUMENTS**

D451,760 S \* 12/2001 Fox ..... D7/510  
D638,658 S \* 5/2011 Staton ..... D7/392  
D751,344 S \* 3/2016 Charlton ..... D7/300.1  
D771,990 S \* 11/2016 Horowitz ..... D7/300.1

**1 Claim, 7 Drawing Sheets**



(56)

**References Cited**

U.S. PATENT DOCUMENTS

D830,783 S \* 10/2018 Diener ..... D7/532  
D858,181 S \* 9/2019 Lown ..... B65D 47/0885  
D9/449  
D867,811 S \* 11/2019 Lane ..... A47J 41/0016  
D7/392.1  
2017/0129665 A1\* 5/2017 Rolfes ..... B65D 47/0885  
2019/0357711 A1\* 11/2019 Nichols ..... A47J 41/0016

FOREIGN PATENT DOCUMENTS

EM 003150580-0005 \* 7/2016 ..... A45F 3/16  
GB 9007991864-0002 \* 6/2020  
JP D1685972 \* 5/2021  
TW 200784-0001 \* 11/2019

OTHER PUBLICATIONS

ProTrink, "Stainless Steel Protein Shaker Bottle," Dec. 22, 2018, Amazon.com, [www.amazon.com/Stainless-Insulated-Dishwasher-Resistant-Sweatproof/dp/B07K19SDZQ](http://www.amazon.com/Stainless-Insulated-Dishwasher-Resistant-Sweatproof/dp/B07K19SDZQ) (Year: 2018).\*

Liquo, "Double Walled Stainless Steel Vacuum Insulated Sports Water Bottle with Lid," May 31, 2019, Amazon.com, [www.amazon.com/Double-Walled-Stainless-Insulated-Thermos/dp/B07SQF1YGY](http://www.amazon.com/Double-Walled-Stainless-Insulated-Thermos/dp/B07SQF1YGY) (Year: 2019).\*

\* cited by examiner

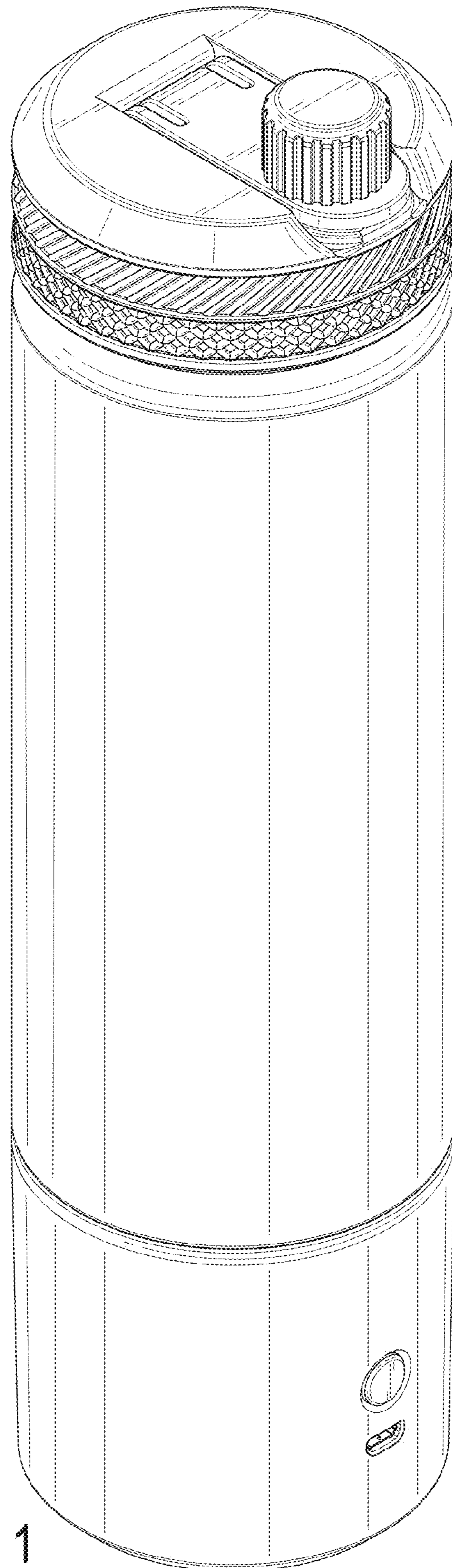


FIG. 1

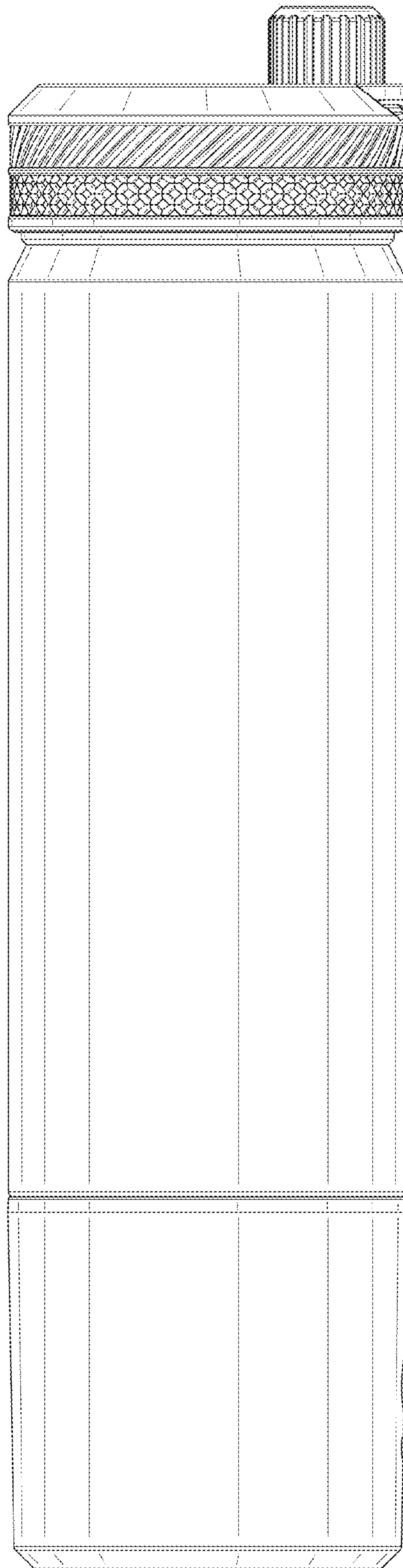


FIG. 2

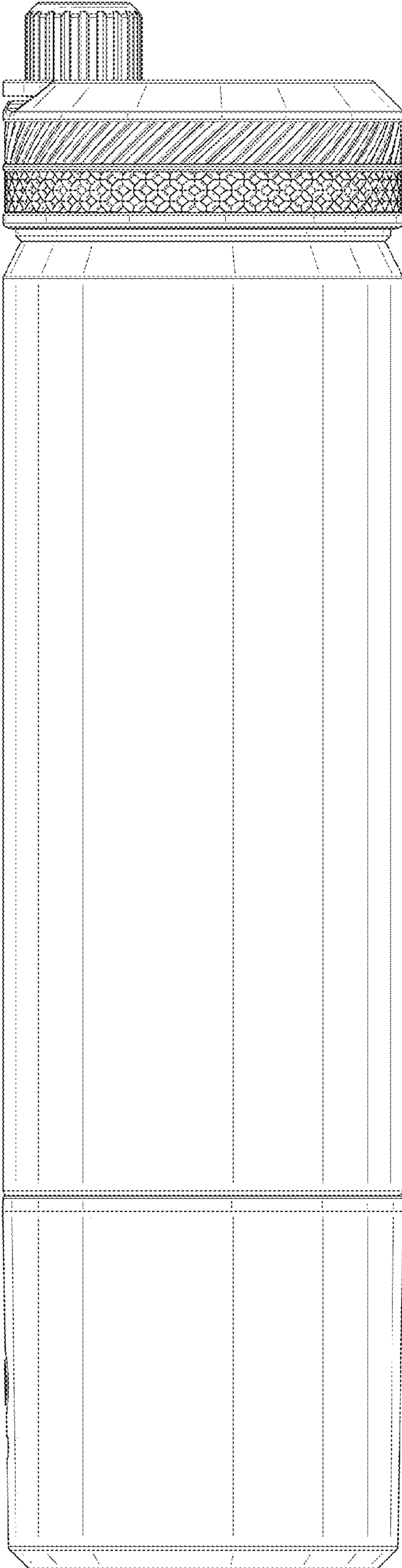


FIG. 3

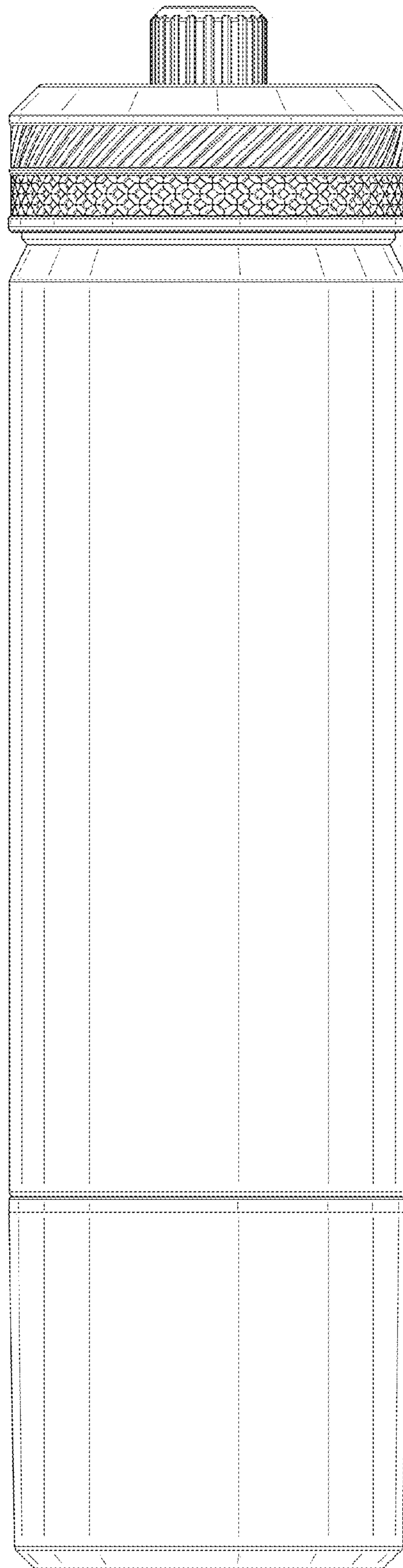


FIG. 4

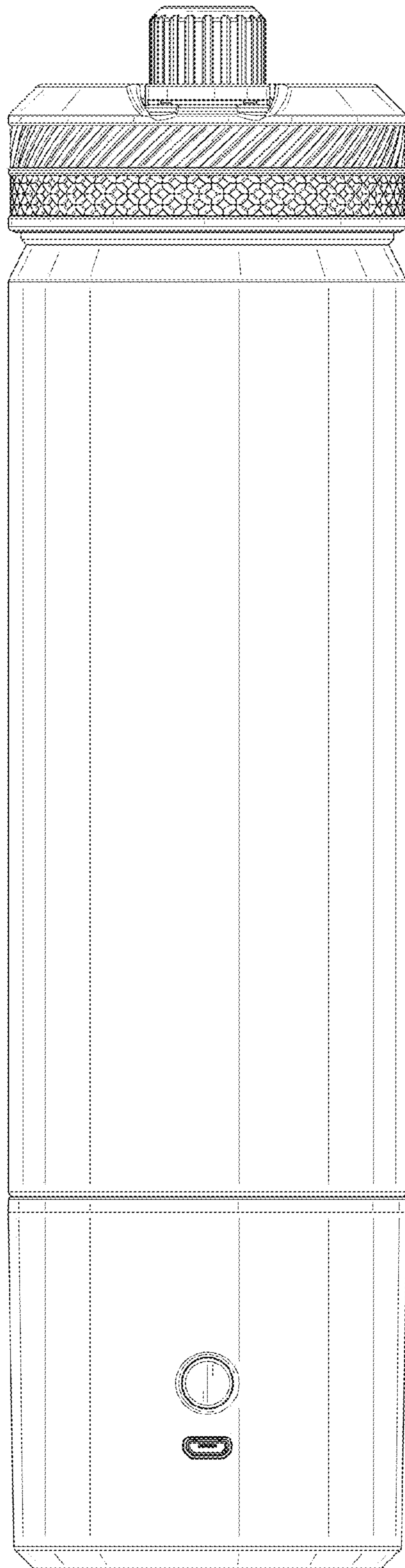


FIG. 5

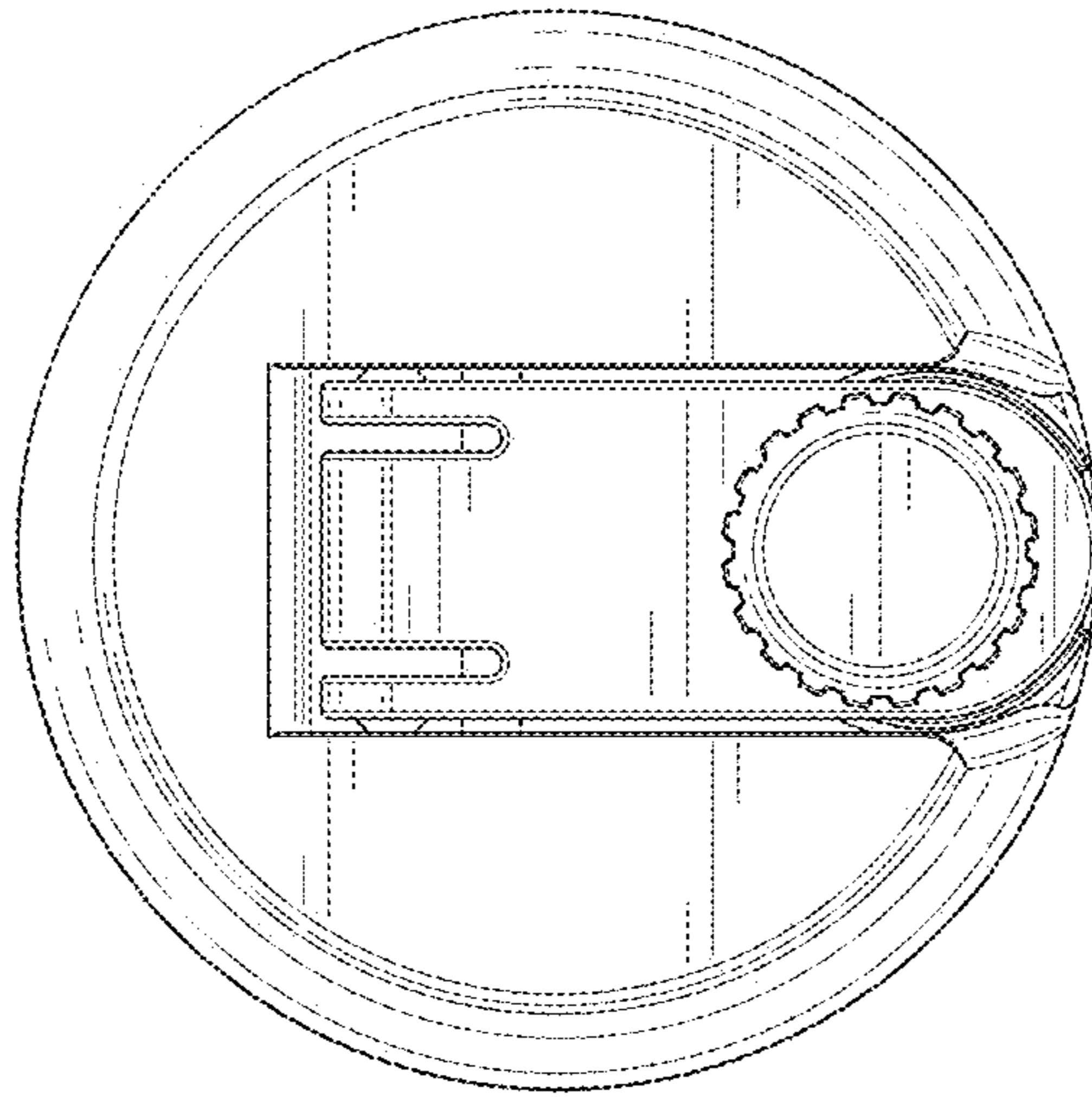


FIG. 6



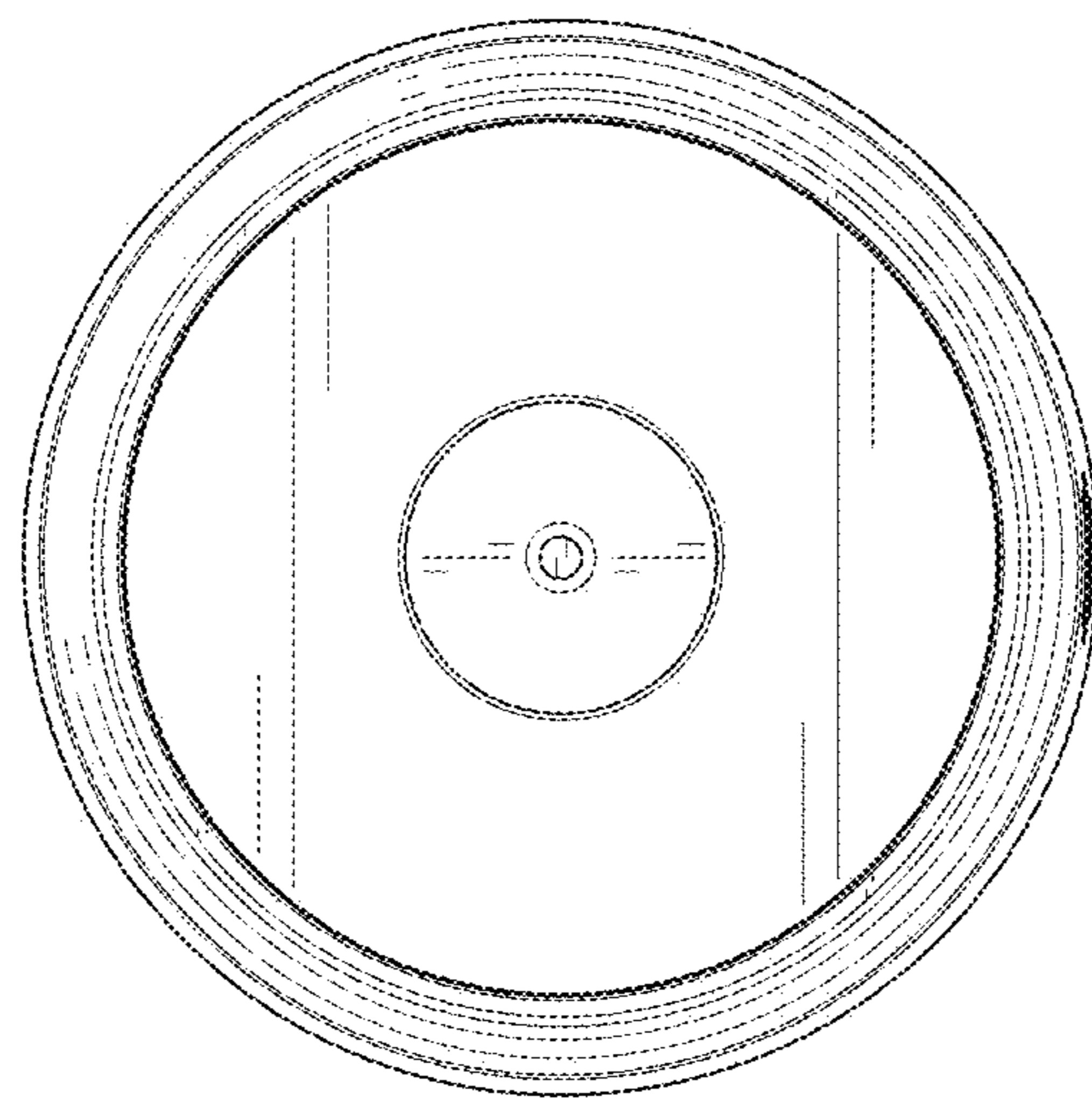


FIG. 7