



US00D959200S

(12) **United States Design Patent**  
**Kuo**

(10) **Patent No.:** **US D959,200 S**

(45) **Date of Patent:** **\*\* Aug. 2, 2022**

(54) **DISPOSABLE DRINKING VESSEL**

(71) Applicant: **Tse-Huang Kuo**, Taipei (TW)

(72) Inventor: **Tse-Huang Kuo**, Taipei (TW)

(\*\*) Term: **15 Years**

(21) Appl. No.: **29/760,596**

(22) Filed: **Dec. 2, 2020**

(30) **Foreign Application Priority Data**

Jun. 12, 2020 (TW) ..... 109303180

(51) **LOC (13) Cl.** ..... **07-01**

(52) **U.S. Cl.**  
USPC ..... **D7/509; D7/507**

(58) **Field of Classification Search**  
USPC ..... D7/507, 509, 510, 511, 533, 536, 392.1,  
D7/396.1, 396.2, 608, 603, 316, 619.1,  
D7/598, 600, 900; D9/443, 449, 561,  
D9/545; D3/202; D29/125, 126  
CPC ..... A47G 19/2205; A47G 23/16; A47G  
19/2272; A47J 41/00; A47J 41/02; A47J  
41/0088; A47J 41/0077; Y10S 220/903;  
B65D 21/02; B65D 43/00; B65D 41/00  
See application file for complete search history.

(56) **References Cited**

**U.S. PATENT DOCUMENTS**

- 1,384,725 A \* 7/1921 Levy ..... A47G 19/2205  
229/117.12
- 2,378,750 A \* 6/1945 Carew ..... B65D 3/28  
229/402
- 2,558,287 A \* 6/1951 Amberg ..... B65D 3/28  
229/402
- 2,581,516 A \* 1/1952 Cohen ..... A47G 21/18  
220/710
- 2,745,586 A \* 5/1956 Thoma ..... B65D 3/06  
229/401

- 2,868,434 A \* 1/1959 Jones ..... A47G 23/0216  
229/402
- D192,967 S \* 6/1962 Behrens ..... D9/551
- 3,870,220 A \* 3/1975 Koury ..... B65D 85/816  
426/86
- 3,926,361 A \* 12/1975 Hilderbrand ..... B65D 77/24  
206/232

(Continued)

**FOREIGN PATENT DOCUMENTS**

- CN 306783453 \* 8/2021
- GB 6107212 \* 11/2020

(Continued)

**OTHER PUBLICATIONS**

Recycling [online] URL: <https://www.theprch.com/this-vs-that/recycling-yogurtcontainers/> (site visited: Mar. 24, 2022) (Year: 2016).\*

(Continued)

*Primary Examiner* — Jae Liang  
*Assistant Examiner* — Tia Ruth-Renee Polidori  
(74) *Attorney, Agent, or Firm* — Muncy, Geissler, Olds & Lowe, P.C.

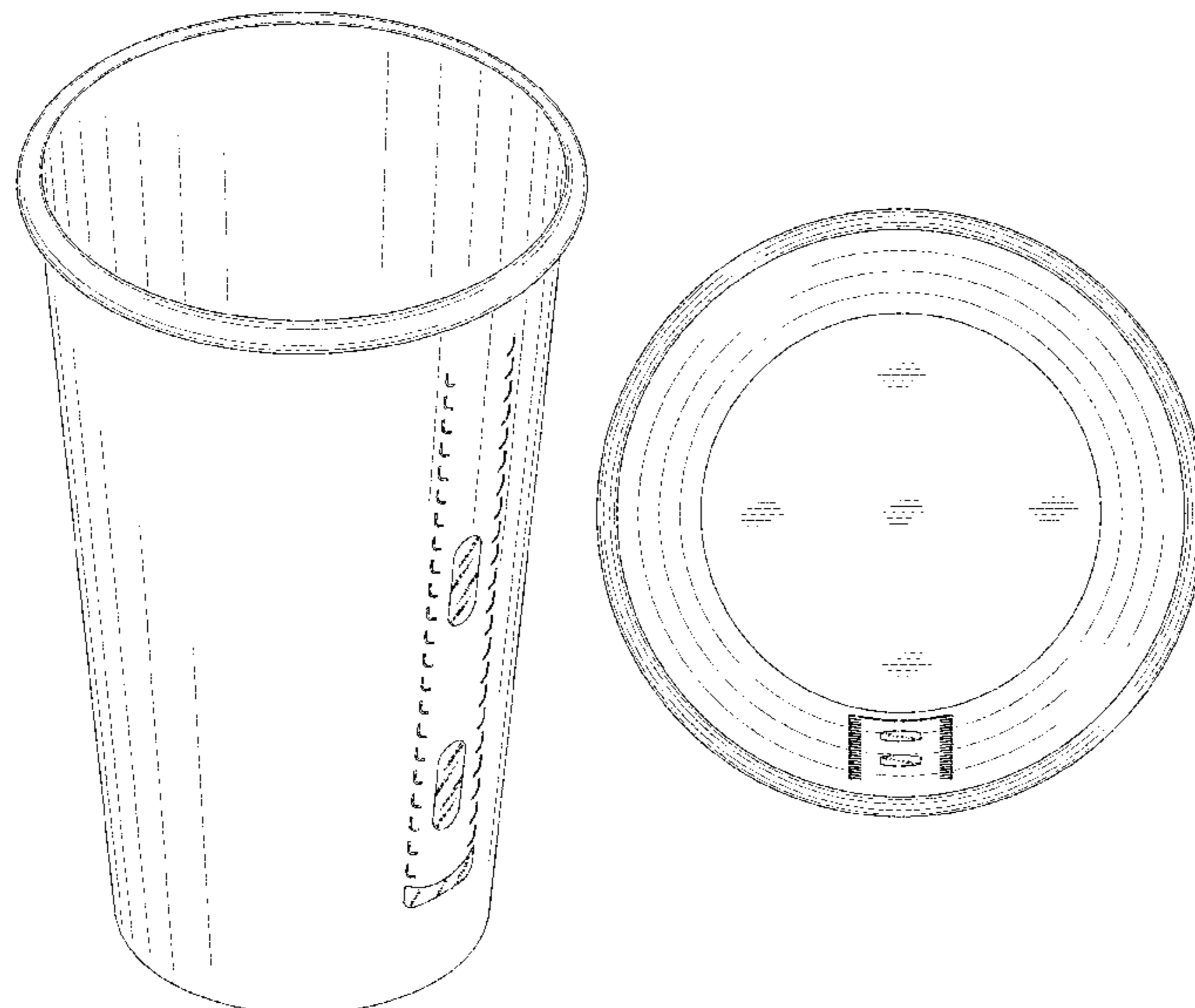
(57) **CLAIM**

The ornamental design for a disposable drinking vessel, as shown and described.

**DESCRIPTION**

FIG. 1 is a top perspective view of a disposable drinking vessel in accordance with the present design; FIG. 2 is a front side elevation view thereof; FIG. 3 is a rear side elevation view thereof; FIG. 4 is a left side elevation view thereof; FIG. 5 is a right side elevation view thereof; FIG. 6 is a top plan view thereof; and, FIG. 7 is a bottom plan view thereof.

**1 Claim, 7 Drawing Sheets**



(56)

References Cited

U.S. PATENT DOCUMENTS

5,007,578 A \* 4/1991 Simone ..... B65D 3/28  
206/459.5  
5,425,497 A \* 6/1995 Sorensen ..... B65D 81/3874  
220/903  
5,996,887 A \* 12/1999 Cai ..... B65D 3/28  
229/116.1  
6,206,229 B1 \* 3/2001 Harjes ..... B65D 1/265  
229/404  
D443,475 S \* 6/2001 Miura ..... D7/533  
D444,672 S \* 7/2001 Miura ..... D7/533  
D635,399 S \* 4/2011 DelVecchio ..... D7/509  
8,191,708 B2 \* 6/2012 D'Amato ..... B65D 25/205  
206/459.5  
D891,183 S \* 7/2020 Patel ..... D7/523  
2014/0284344 A1 \* 9/2014 French ..... A47G 19/2272  
220/713  
2014/0361017 A1 \* 12/2014 Shonborn ..... A47G 19/2205  
220/503  
2019/0357710 A1 \* 11/2019 Kang ..... A47G 19/2205  
2020/0231326 A1 \* 7/2020 Romano ..... B65D 1/265

FOREIGN PATENT DOCUMENTS

GB 6107213 \* 11/2020  
JP D1692503 \* 8/2021  
JP D1692505 \* 8/2021  
KR 301104509.0000 \* 4/2021

OTHER PUBLICATIONS

McDonalds [online] URL: <https://www.elitedaily.com/p/heres-how-to-play-mcdonalds-trick-treat-win-halloweengame-for-legit-prizes-12166838> (site visited: Mar. 24, 2022) (Year: 2018).\*

Subway [online] URL: [https://publicaffairs-sme.com/Community\\_DEV/2019/01/30/subway-oconus-sip-rip-win-contest/](https://publicaffairs-sme.com/Community_DEV/2019/01/30/subway-oconus-sip-rip-win-contest/) (site visited: Mar. 24, 2022) (Year: 2019).\*

\* cited by examiner

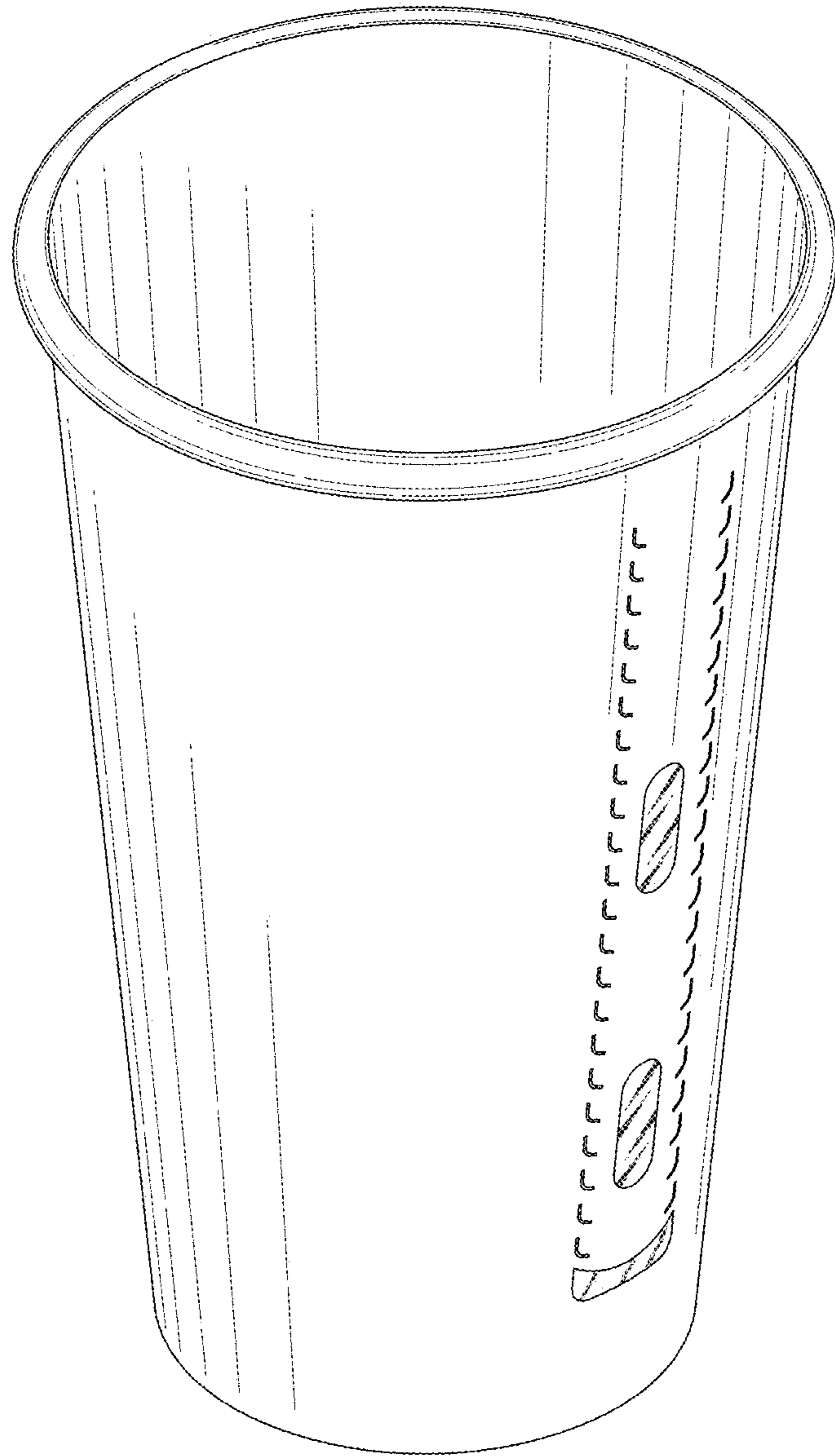


FIG. 1

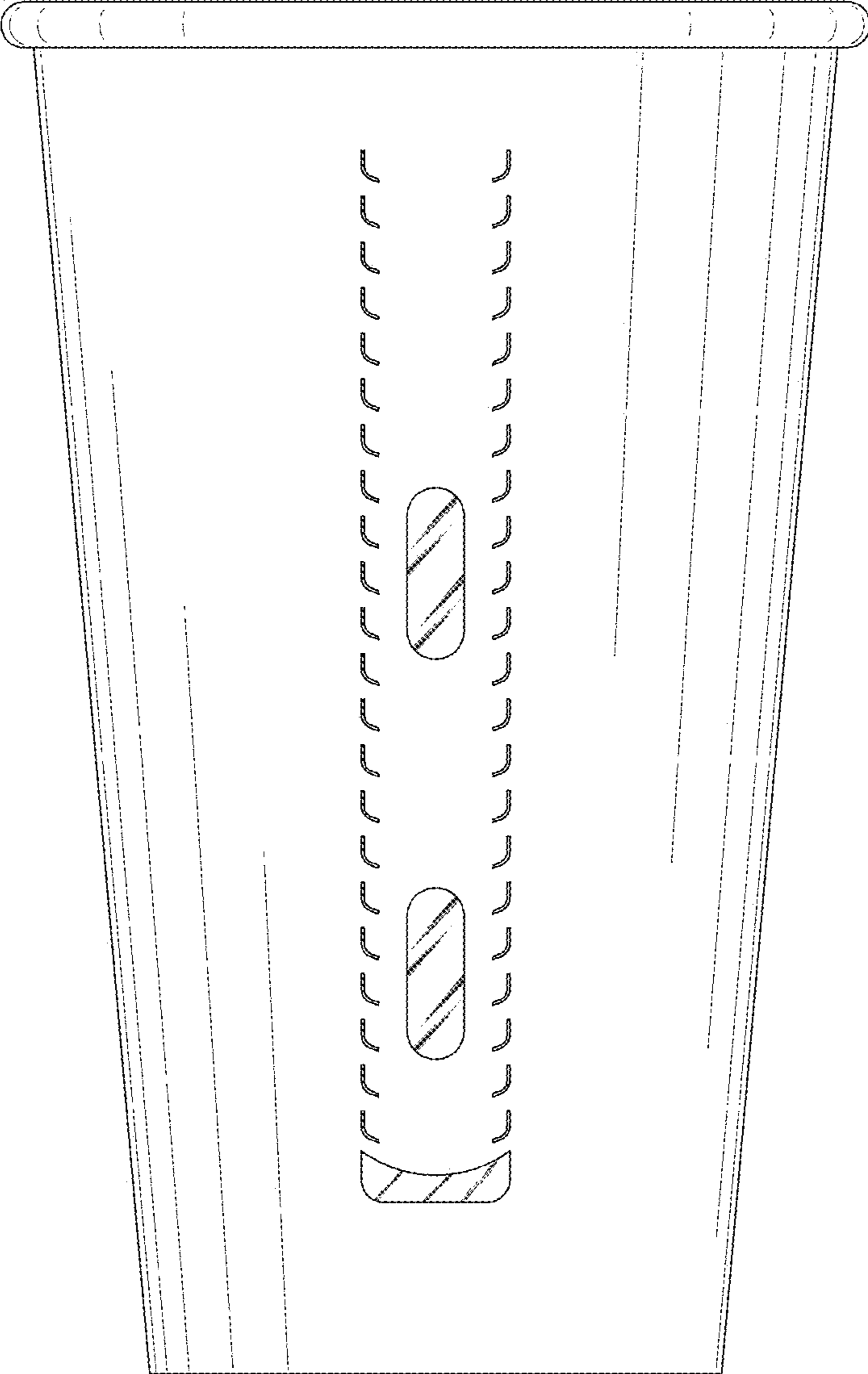


FIG.2

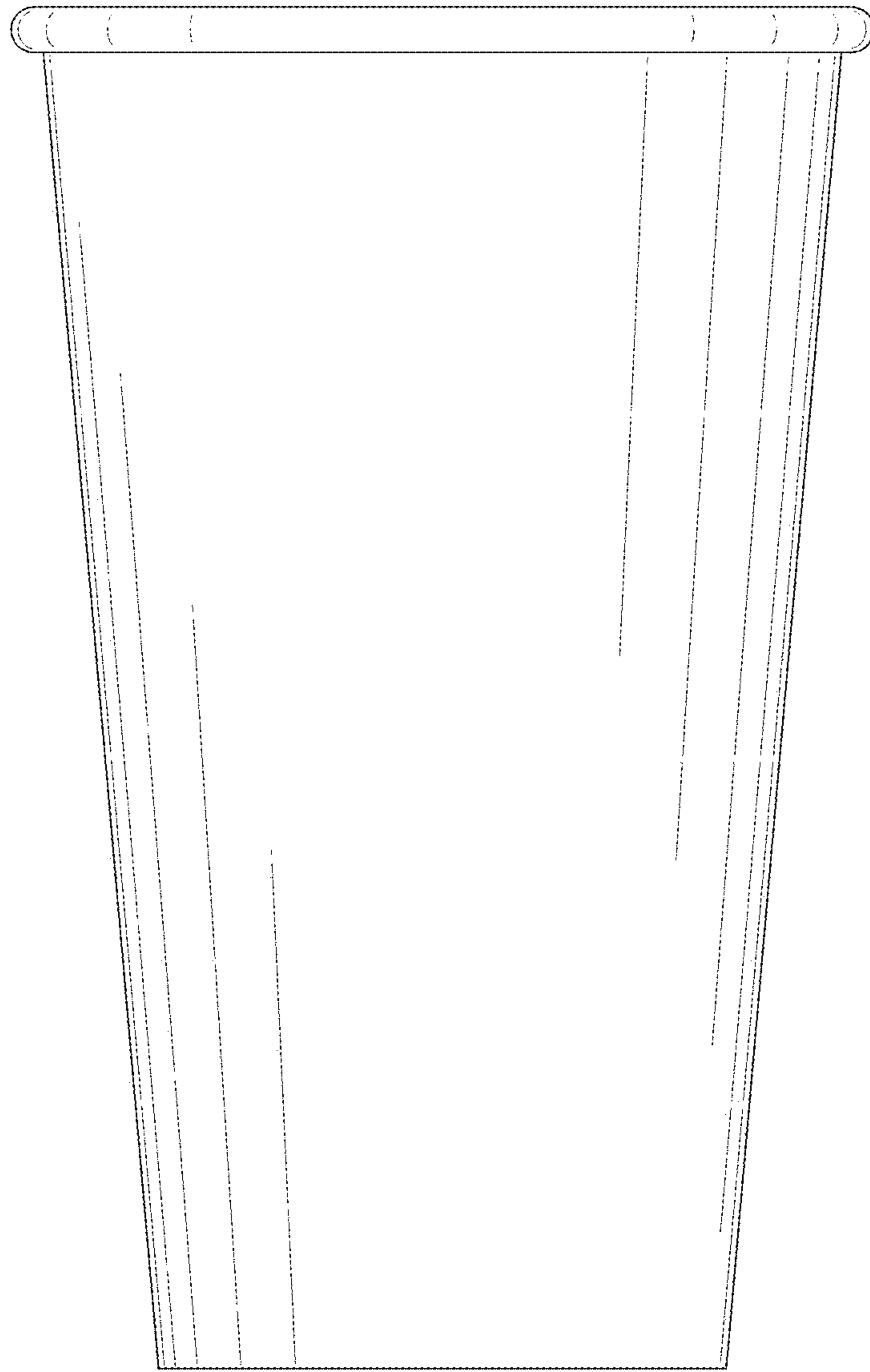


FIG.3

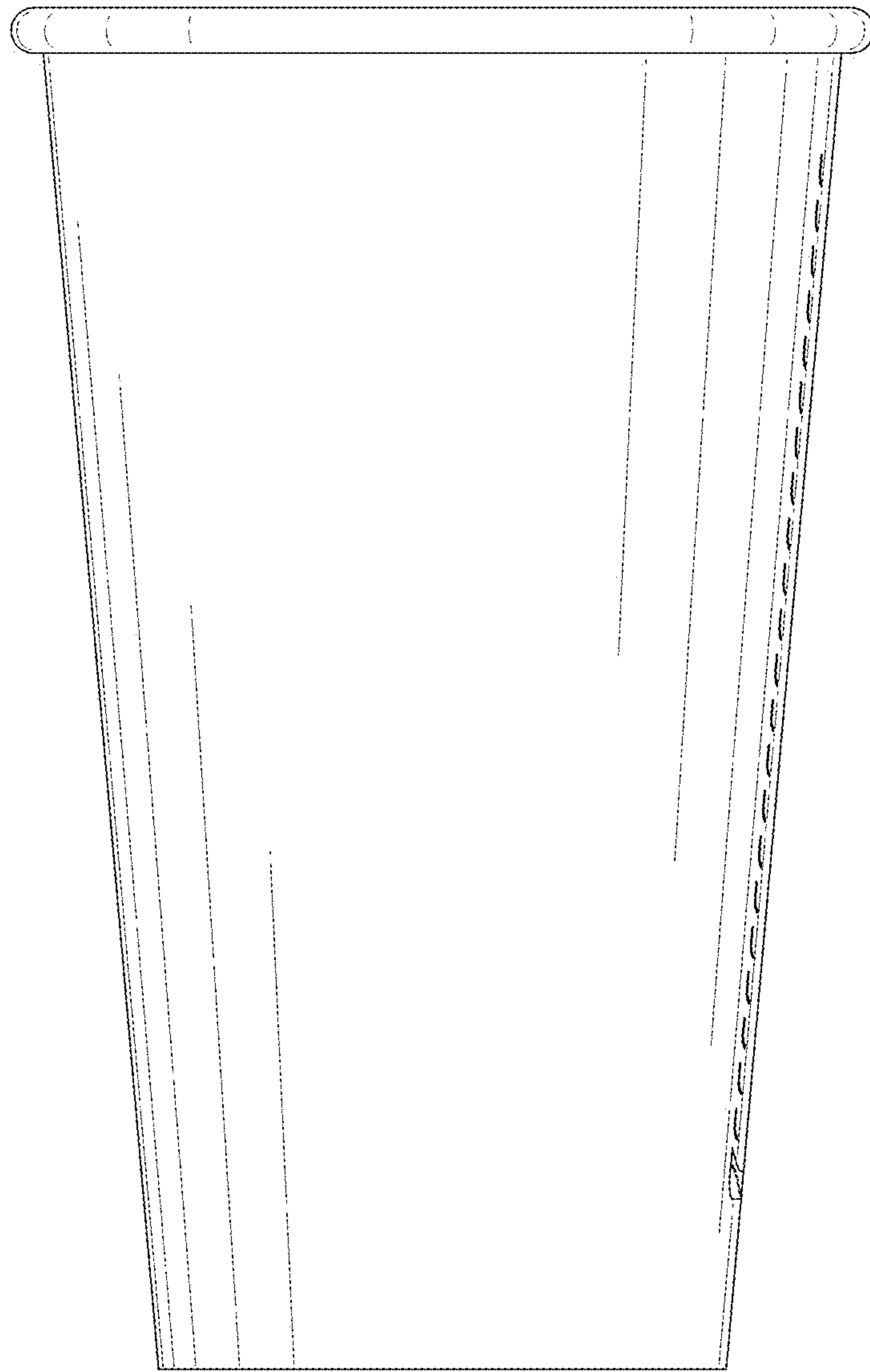


FIG.4

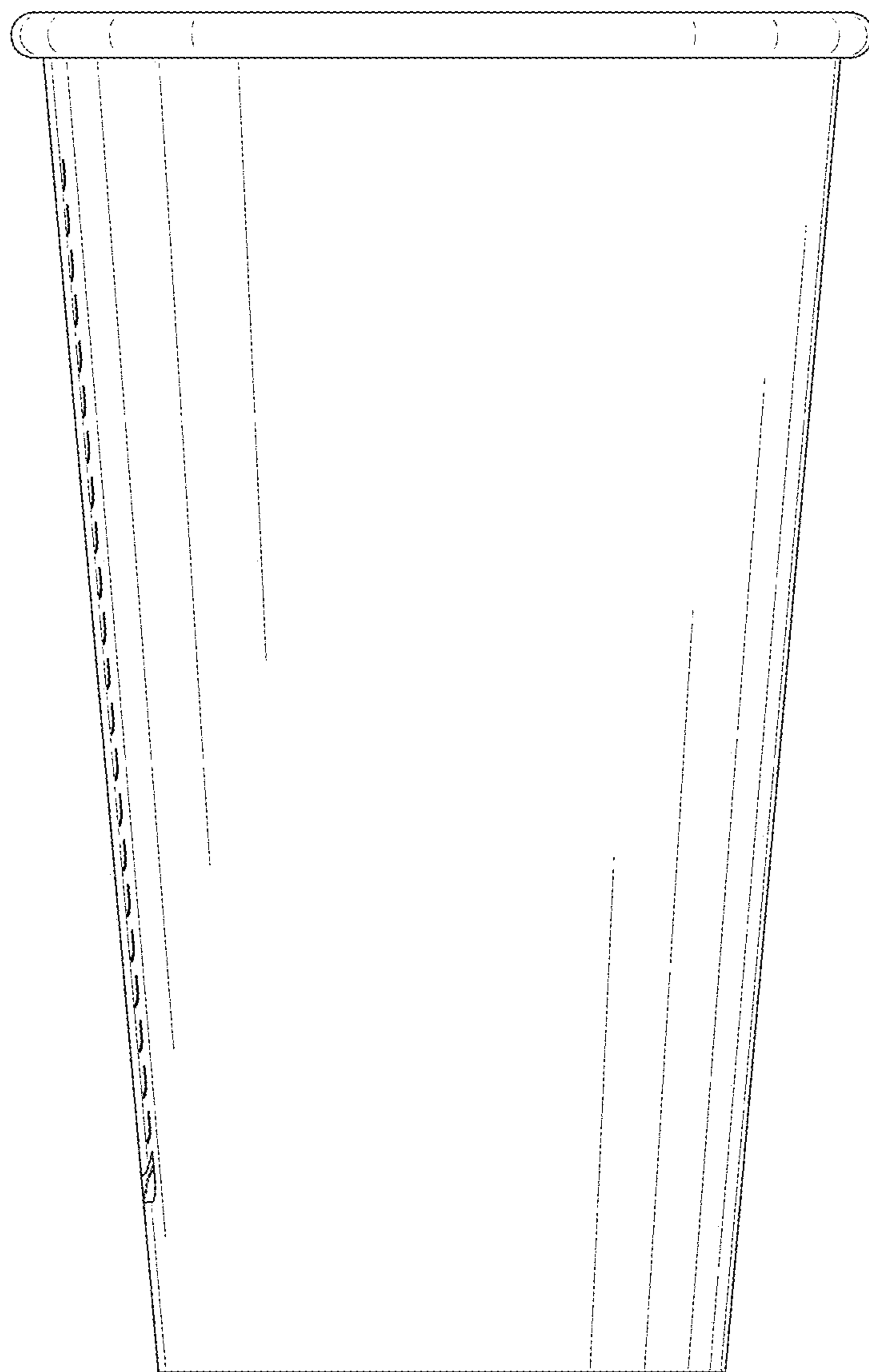


FIG. 5

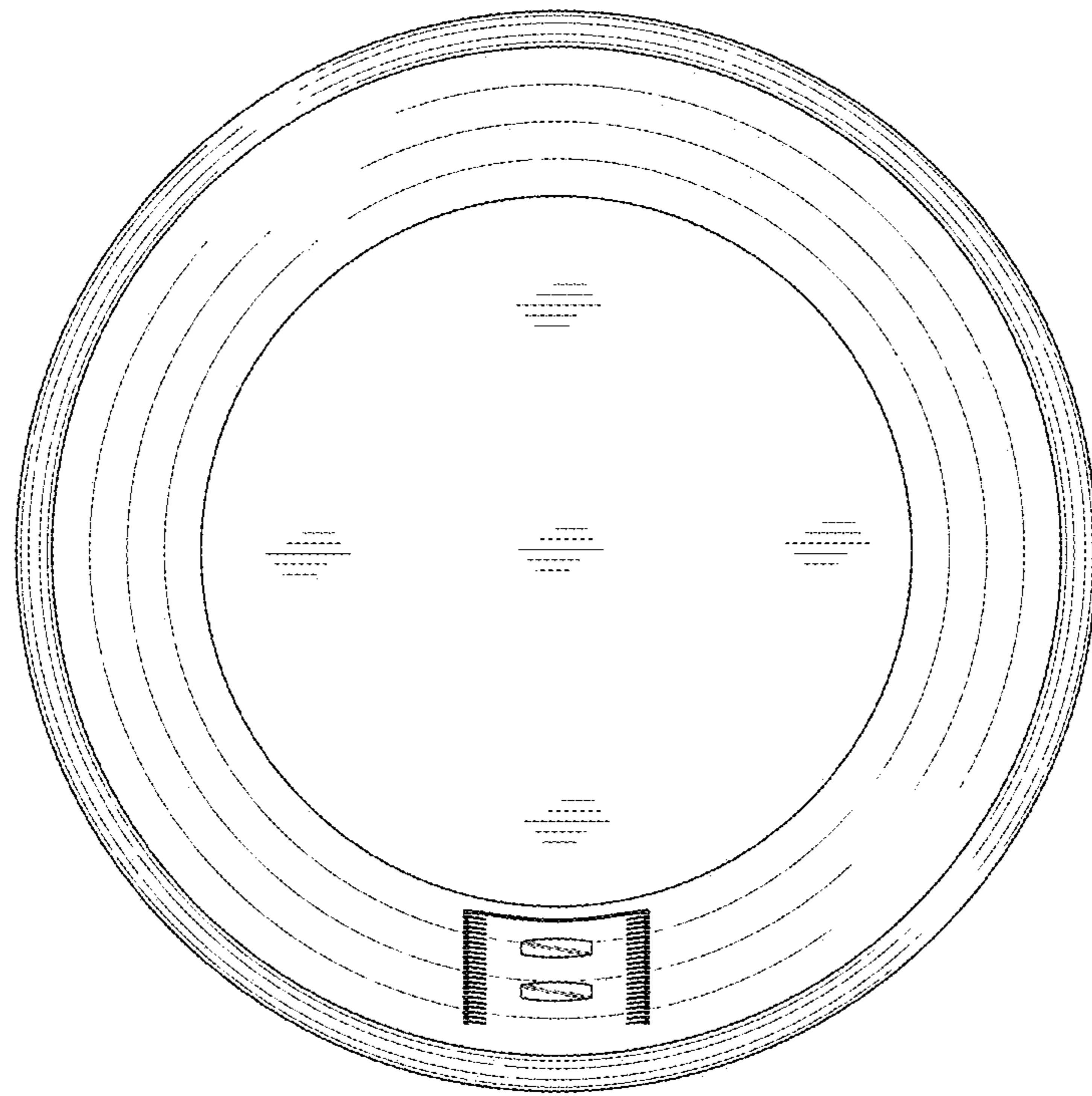


FIG.6



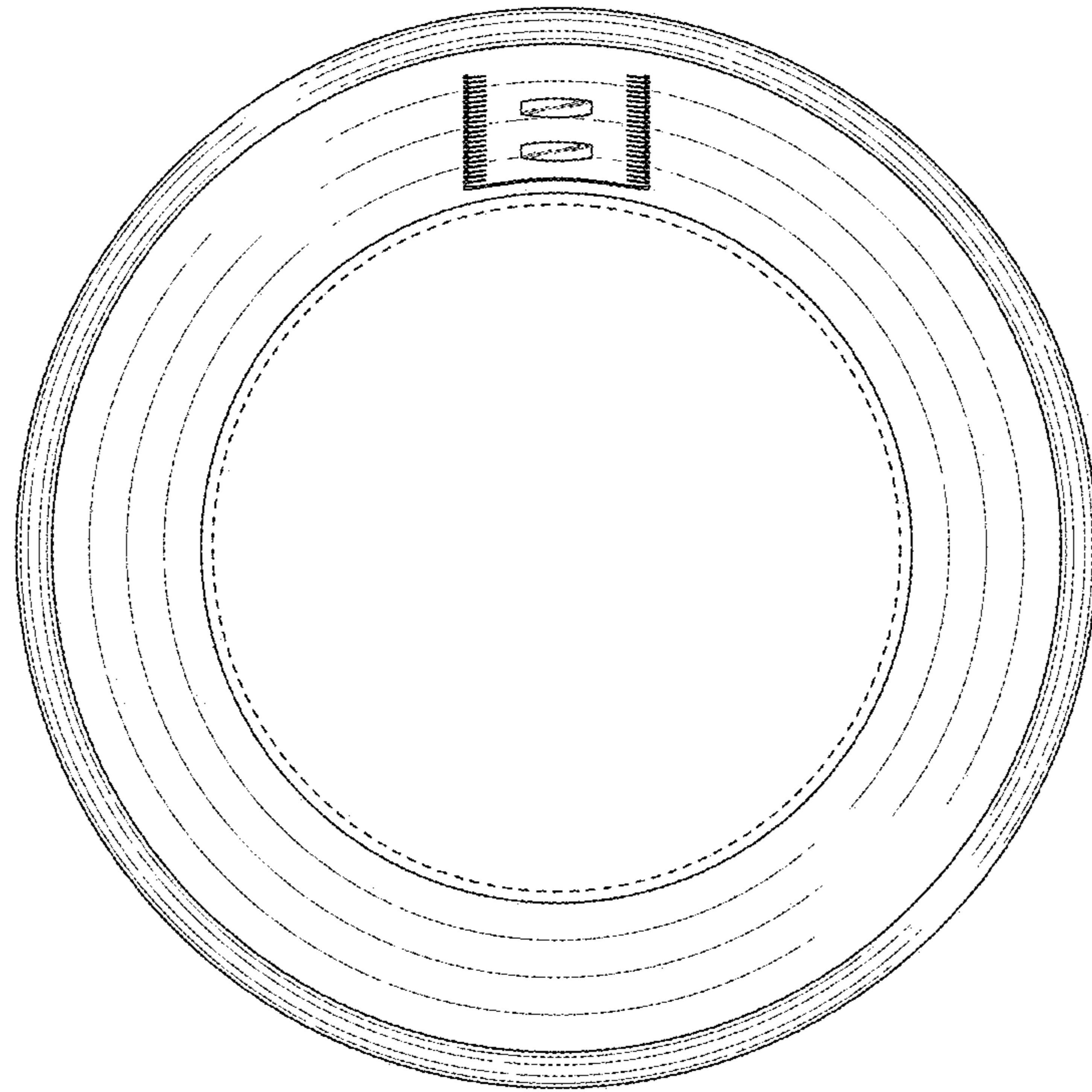


FIG.7