



US00D959198S

(12) **United States Design Patent** (10) **Patent No.:** **US D959,198 S**
Wiens (45) **Date of Patent:** **** Aug. 2, 2022**

(54) **BUTTER DISH**
(71) Applicant: **Dutch Ideas, LLC**, Renton, WA (US)
(72) Inventor: **Ryan Wiens**, Renton, WA (US)
(73) Assignee: **Dutch Ideas, LLC**, Renton, WA (US)
(**) Term: **15 Years**

D186,679 S 11/1959 Hopcraft
D190,186 S 4/1961 Schnur et al.
D204,615 S * 5/1966 Swett D7/502
3,426,935 A * 2/1969 Swett B65D 43/0222
220/836
D216,214 S 12/1969 Erembodegem
D245,243 S 8/1977 Kerr et al.
(Continued)

(21) Appl. No.: **29/781,336**
(22) Filed: **Apr. 29, 2021**

Related U.S. Application Data

(62) Division of application No. 29/700,589, filed on Aug. 2, 2019, now Pat. No. Des. 922,824.
(51) **LOC (13) Cl.** **07-01**
(52) **U.S. Cl.**
USPC **D7/502**
(58) **Field of Classification Search**
USPC D7/354, 357, 368, 380-382, 387, 396.1,
D7/412, 500, 502, 504, 505, 538, 550.1,
D7/553.1-553.3, 554.1, 554.3, 555, 557,
D7/584, 586, 601, 602, 665-670,
D7/672-674, 678, 682, 683, 688, 692,
D7/693, 697; D1/122; D3/304; D6/536;
D9/425, 432, 756, 759, 761; D15/90;
D19/75
CPC A47G 19/26; A47G 19/265; A47G 19/30;
A47G 19/303; A47G 19/32; A47G
21/005; A47J 9/00; A47J 9/001; A47J
9/002; A47J 9/003; A47J 9/005; A47J
9/006; A47J 9/007; A47J 2009/008; A47J
47/12; B65D 43/0222; B65D 75/336;
B65D 83/005; B65D 85/74; G01F 19/005
See application file for complete search history.

(56) **References Cited**

U.S. PATENT DOCUMENTS

D157,729 S 3/1950 Bliss
D176,101 S 11/1955 Bonistall

OTHER PUBLICATIONS

Design No. 306418438, Nov. 2, 2020—China National Intellectual Property Administration (CNIPA) Publication Date—Mar. 30, 2021
Owner—Shenzhen taolefu Trading Co Ltd, Designer—Wu Yanping
WIPO, available at <https://www3.wipo.int/designdb/en/index.jsp> (Year: 2021).*

(Continued)

Primary Examiner — Mary Ann Calabrese
Assistant Examiner — Natalya M Rapundalo
(74) *Attorney, Agent, or Firm* — Dascenzo Gates
Intellectual Property Law, P.C.

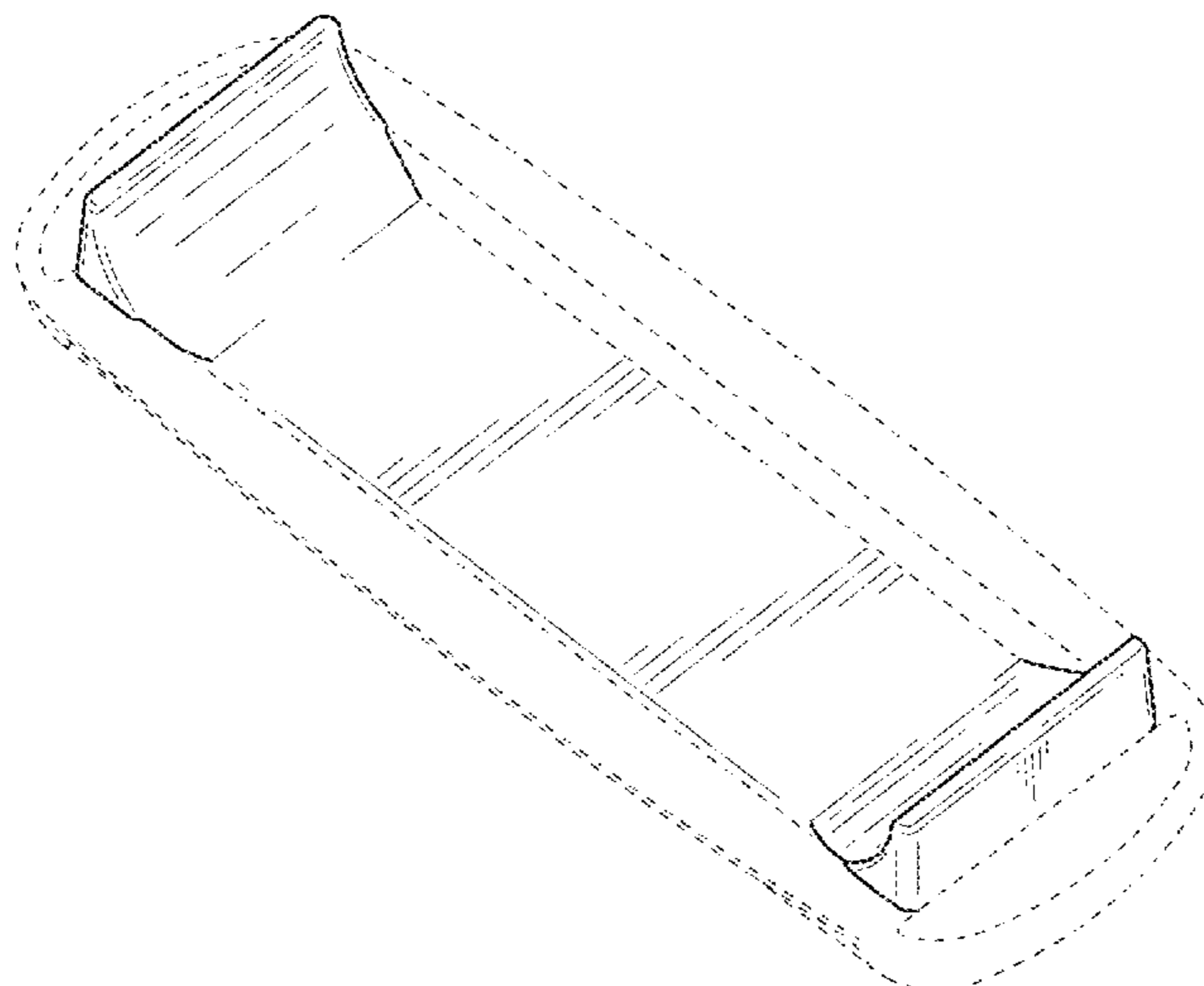
(57) **CLAIM**

The ornamental design for a butter dish, as shown and described.

DESCRIPTION

FIG. 1 is a top isometric view of a butter dish showing the new design;
FIG. 2 is a top plan view thereof;
FIG. 3 is an end elevation view thereof;
FIG. 4 is a side elevation view thereof;
FIG. 5 is a bottom isometric view thereof; and,
FIG. 6 is a bottom plan view thereof.
The dashed lines shown in the drawings illustrate portions of the butter dish that form no part of the claimed design. The butter dish has longitudinal and lateral symmetry, with opposed sides being mirror images of each other.

1 Claim, 3 Drawing Sheets



(56)

References Cited

U.S. PATENT DOCUMENTS

D280,964 S 10/1985 Wolff
 5,365,038 A 11/1994 Mitsugu
 D391,809 S * 3/1998 Jeppesen A47G 19/06
 D7/502
 D486,995 S 2/2004 Liu
 D534,036 S * 12/2006 Vlahos D7/502
 D540,118 S 4/2007 Vlahos
 D572,582 S 7/2008 Lymn et al.
 D673,533 S 1/2013 Ennabli
 D720,961 S * 1/2015 Gabriel A47G 19/06
 D7/502
 8,960,441 B1 * 2/2015 Marquis A47G 19/26
 206/553
 D743,740 S * 11/2015 Madsen D7/502
 D743,746 S * 11/2015 Bentzen B65D 43/0222
 D7/538
 D855,387 S 8/2019 Wang et al.
 D882,344 S 4/2020 Lin
 D909,349 S 2/2021 Kentley-Klay et al.
 D945,221 S * 3/2022 Palles D7/554.3
 2022/0088467 A1 * 3/2022 Baum E01C 13/003

OTHER PUBLICATIONS

Design No. 306527878, Jan. 8, 2021—China National Intellectual Property Administration (CNIPA) Publication Date—May 11, 2021 Owner—Jieyang Yasheng Stainless Steel Industry Co Ltd, Designer—

Lin Zefeng WIPO, available at <https://www3.wipo.int/designdb/en/index.jsp> (Year: 2021).*

Design No. 306547221, Jan. 22, 2021—China National Intellectual Property Administration (CNIPA) Publication Date—May 18, 2021 Owner—Sue Yinwei WIPO, available at <https://www3.wipo.int/designdb/en/index.jsp> (Year: 2021).*

Butter Dish with Magnetic Lid, first available Jun. 10, 2021, Amazon, [online], [site visited Dec. 17, 2021], Available from internet URL: <https://www.amazon.com/dp/B09713KZNP> (Year: 2021).*

CS COSDDI Skate Park Starter Kit Finger Skateboard Ramp, Amazon, [online], [site visited May 31, 2022], Available from internet URL: <https://us.amazon.com/CS-COSDDI-Starter-Finger-Skateboard/dp/B08YX1QSR5> (Year: 2022).*

OXO 11122500 Good Grips Butter Dish, White/Clear: Butter Dishes, www.amazon.com/OXO-Grips-Butter-Dish-White-Clear/dp/B00L9X6M6I, 9 pages, retrieved Feb. 27, 2019.

50 Most Popular Contemporary Butter Dishes for 2019 | Houzz, www.houzz.com/products/contemporary/butter-dishes/pid=104275254?m_refid=PLA_HZ_104275254?m_refid=PLA_HZ_104275254_1587195743&device=c&nw=g, 4 pages, retrieved Feb. 27, 2019.

Tablecraft Clear Glass Butter Dish, first available Dec. 31, 2009, Amazon, [online], [site visited Feb. 18, 2021], Available from internet URL: <https://www.amazon.com/Tablecraft-H124-Clear-Glass-Butter/dp/B002BU21ZO> (Year: 2009).

Butter Hub Butter Dish with Lid and Knife, first available Oct. 13, 2020, Amazon, [online], [site visited Feb. 18, 2021], Available from internet URL: <https://www.amazon.com/Butter-Hub-Magnetic-Keeper-Dishwasher/dp/B08W7SDPZH> (Year: 2020).

* cited by examiner

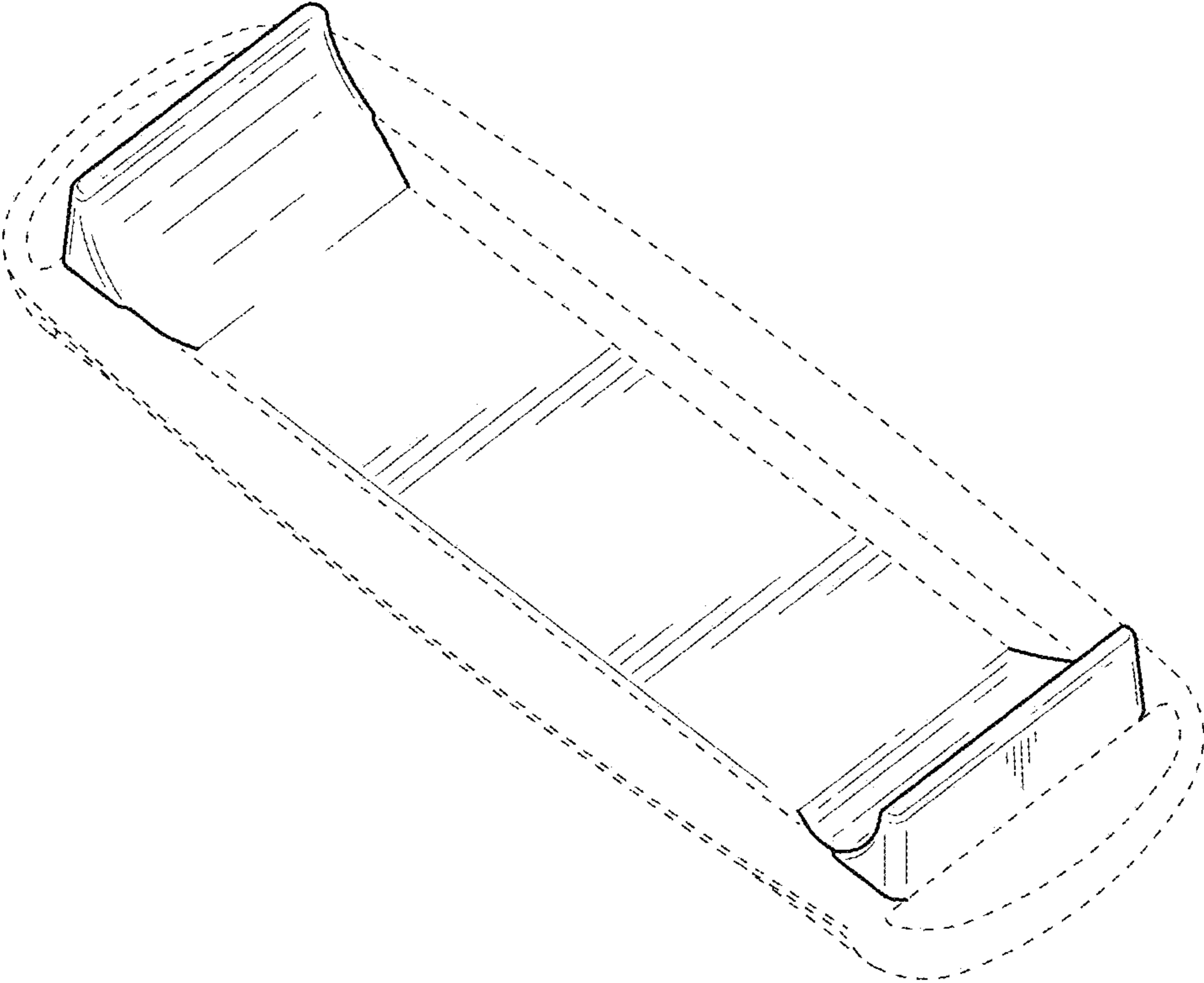


FIG. 1

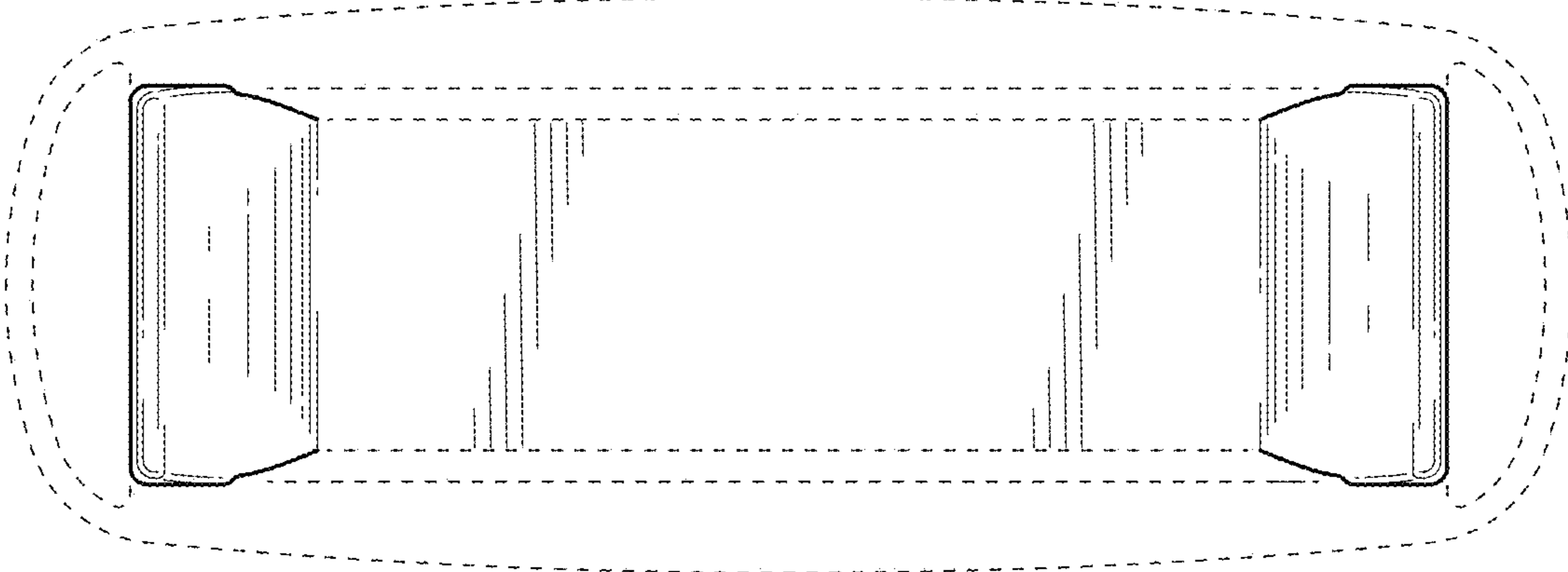


FIG. 2

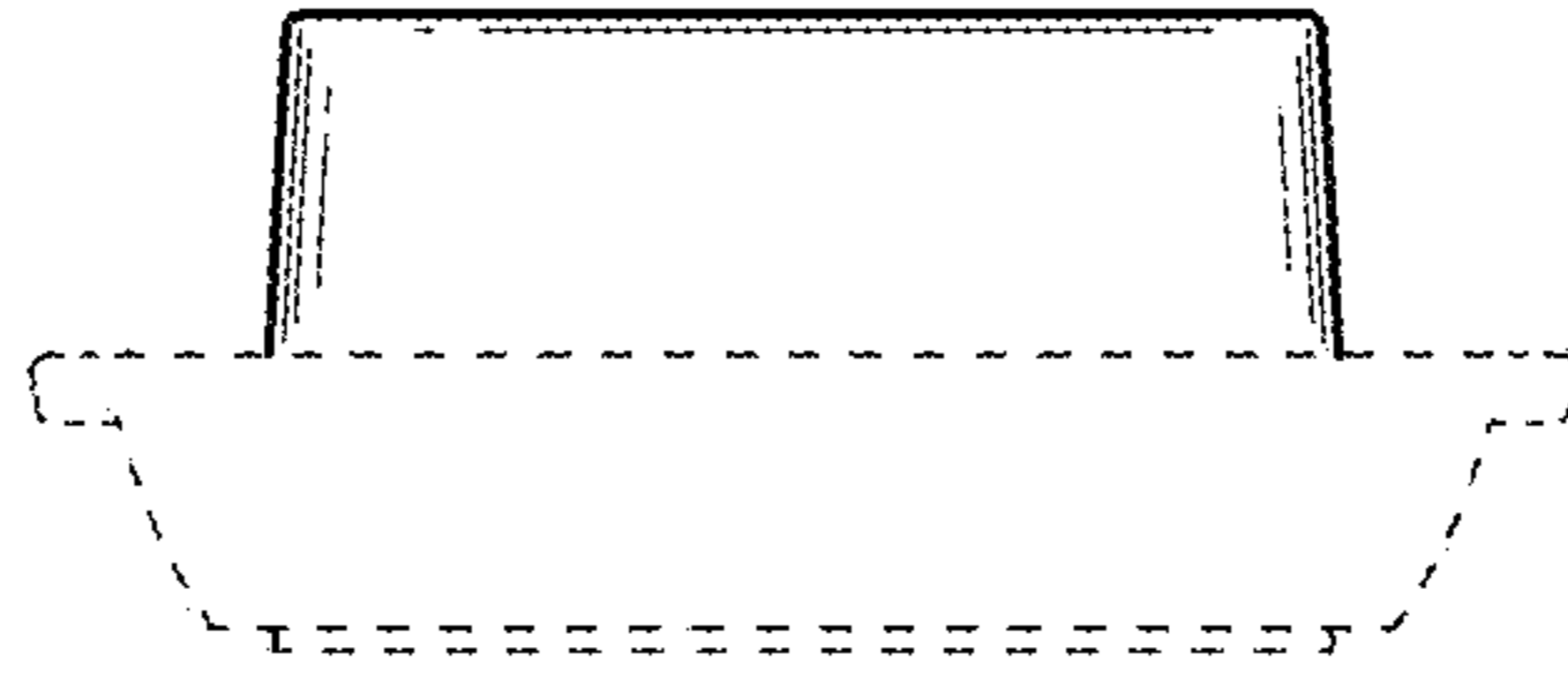


FIG. 3

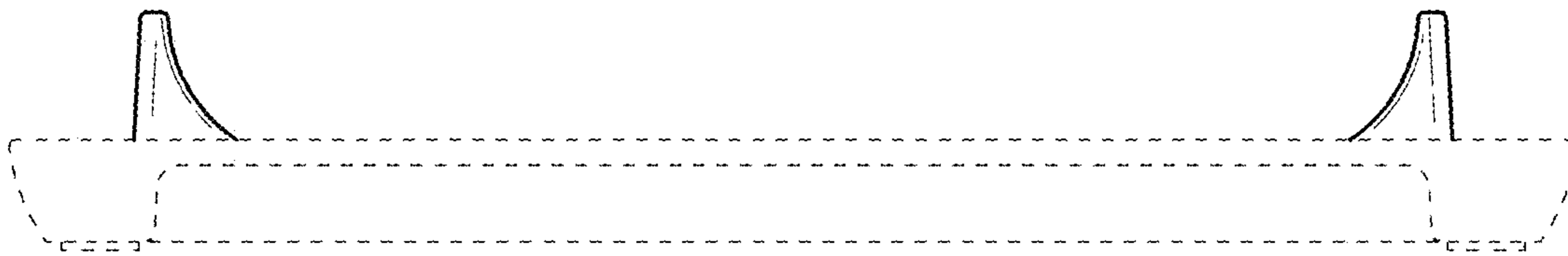


FIG. 4

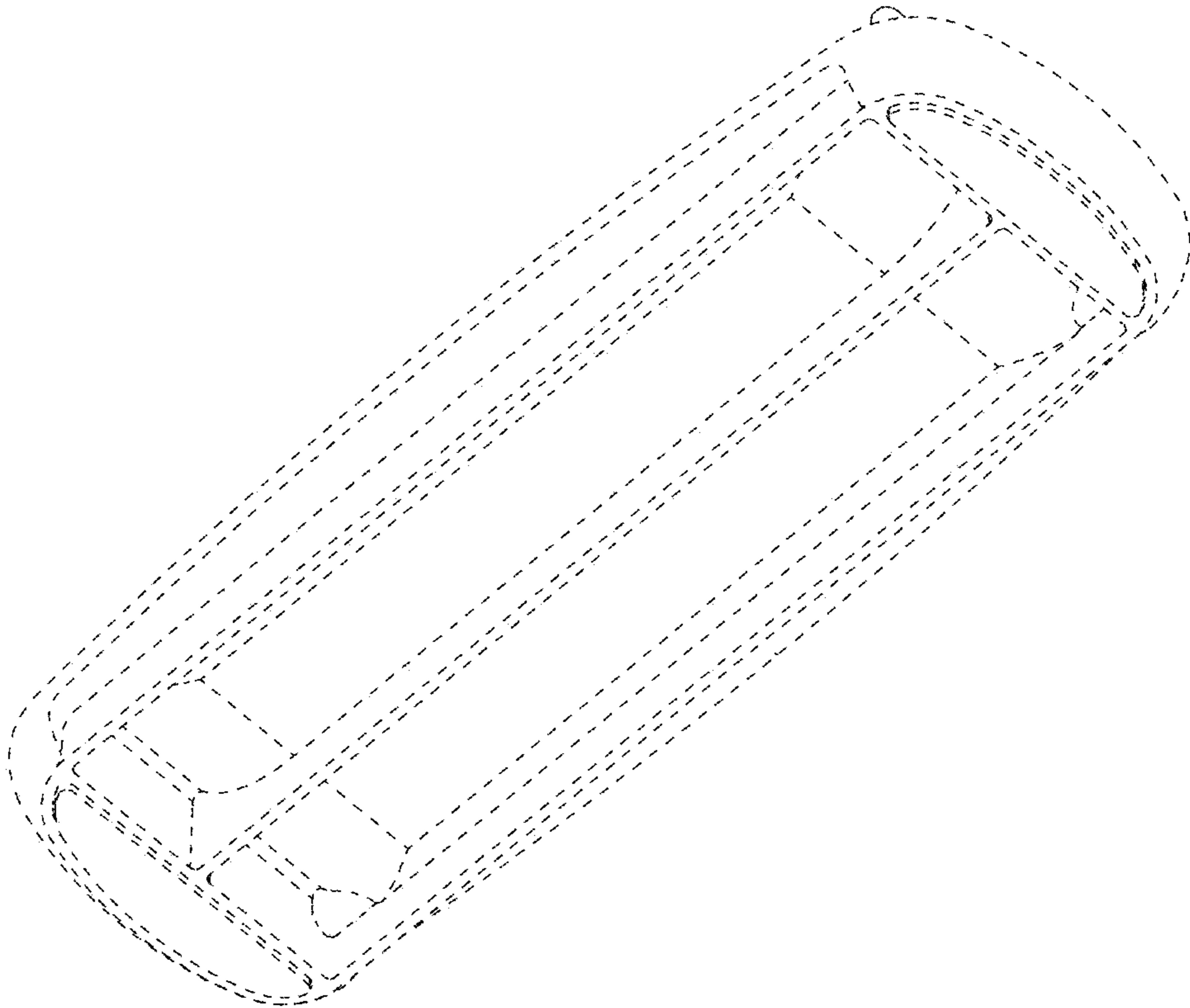


FIG. 5

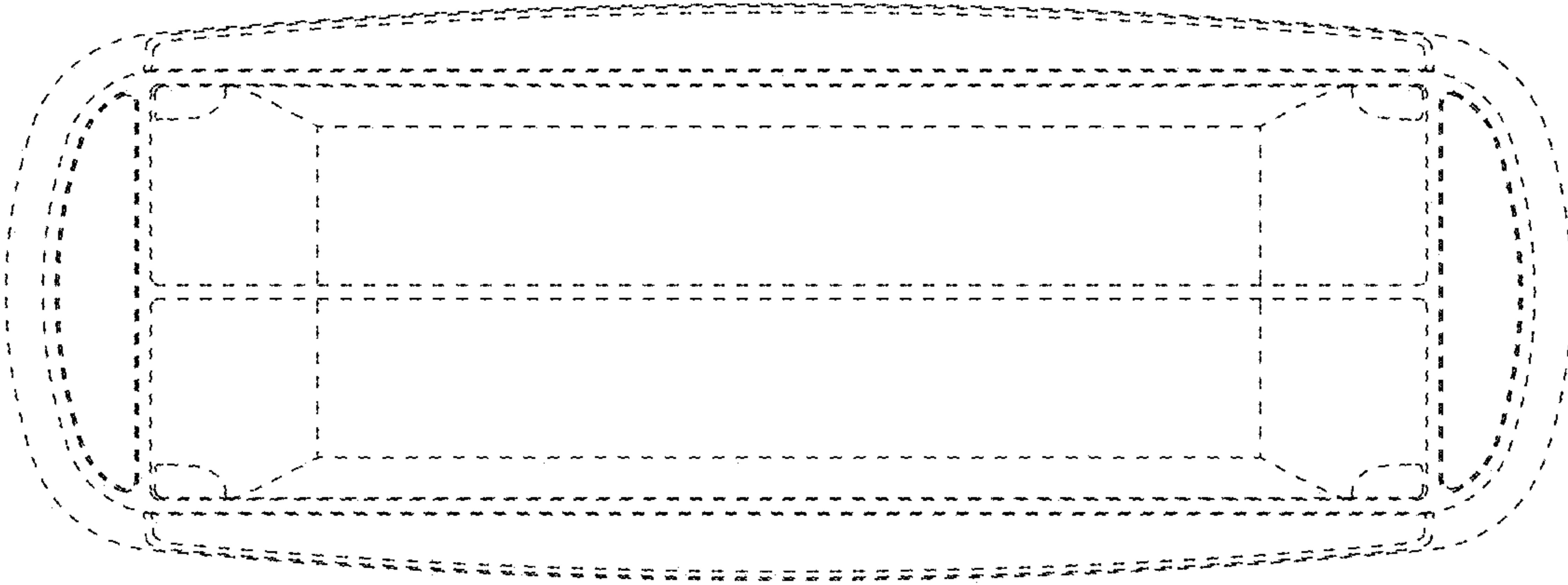


FIG. 6