



US00D959197S

(12) **United States Design Patent** (10) **Patent No.:** **US D959,197 S**
Mendenhall et al. (45) **Date of Patent:** **** Aug. 2, 2022**

(54) **BUTTER DISPENSER**
(71) Applicant: **Von T. Mendenhall**, North Logan, UT (US)
(72) Inventors: **Von T Mendenhall**, North Logan, UT (US); **Shane Larsen**, Millville, UT (US)

2,975,889 A * 3/1961 Brown B65D 75/366
206/468
4,241,852 A * 12/1980 Klem B65D 83/0005
222/103
D283,481 S * 4/1986 Schmidt B65D 75/366
D7/609
D302,923 S * 8/1989 Schmidt D7/552.1
(Continued)

(**) Term: **15 Years**
(21) Appl. No.: **29/748,756**
(22) Filed: **Sep. 1, 2020**
(51) **LOC (13) Cl.** **07-01**
(52) **U.S. Cl.**
USPC **D7/502**

(58) **Field of Classification Search**
USPC D7/354, 357, 368, 380-382, 387, 396.1, D7/412, 500, 502, 504, 505, 538, 550.1, D7/553.1-553.3, 554.1, 554.3, 555, 557, D7/584, 586, 601, 602, 665-670, D7/672-674, 678, 682, 683, 688, 692, D7/693, 697; D1/122; D3/304; D6/536; D9/425, 432, 756, 759, 761; D15/90; D19/75
CPC .. A47G 19/2562; A47G 19/265; A47G 19/30; A47G 19/303; A47G 19/32; A47G 21/005; A47J 9/00; A47J 9/001; A47J 9/002; A47J 9/003; A47J 9/005; A47J 9/006; A47J 9/007; A47J 2009/008; A47J 47/12; B65D 43/0222; B65D 75/366; B65D 83/005; B65D 85/74; G01F 19/005
See application file for complete search history.

(56) **References Cited**
U.S. PATENT DOCUMENTS
2,802,267 A * 8/1957 Lackrie G01F 19/005
83/875
2,972,407 A * 2/1961 Taylor B65D 83/0005
206/525

OTHER PUBLICATIONS

Mess-Free Butter Spreader, first available Nov. 15, 2017, Amazon, [online], [site visited Dec. 17, 2021], Available from internet URL: <https://www.amazon.com/Mess-Free-Avant-Dishwasher-Butterer-Dispenser/dp/B077BQ65ZF> (Year: 2017).*
(Continued)

Primary Examiner — Mary Ann Calabrese
Assistant Examiner — Natalya M Rapundalo
(74) *Attorney, Agent, or Firm* — Preston P. Frischknecht; Project CIP

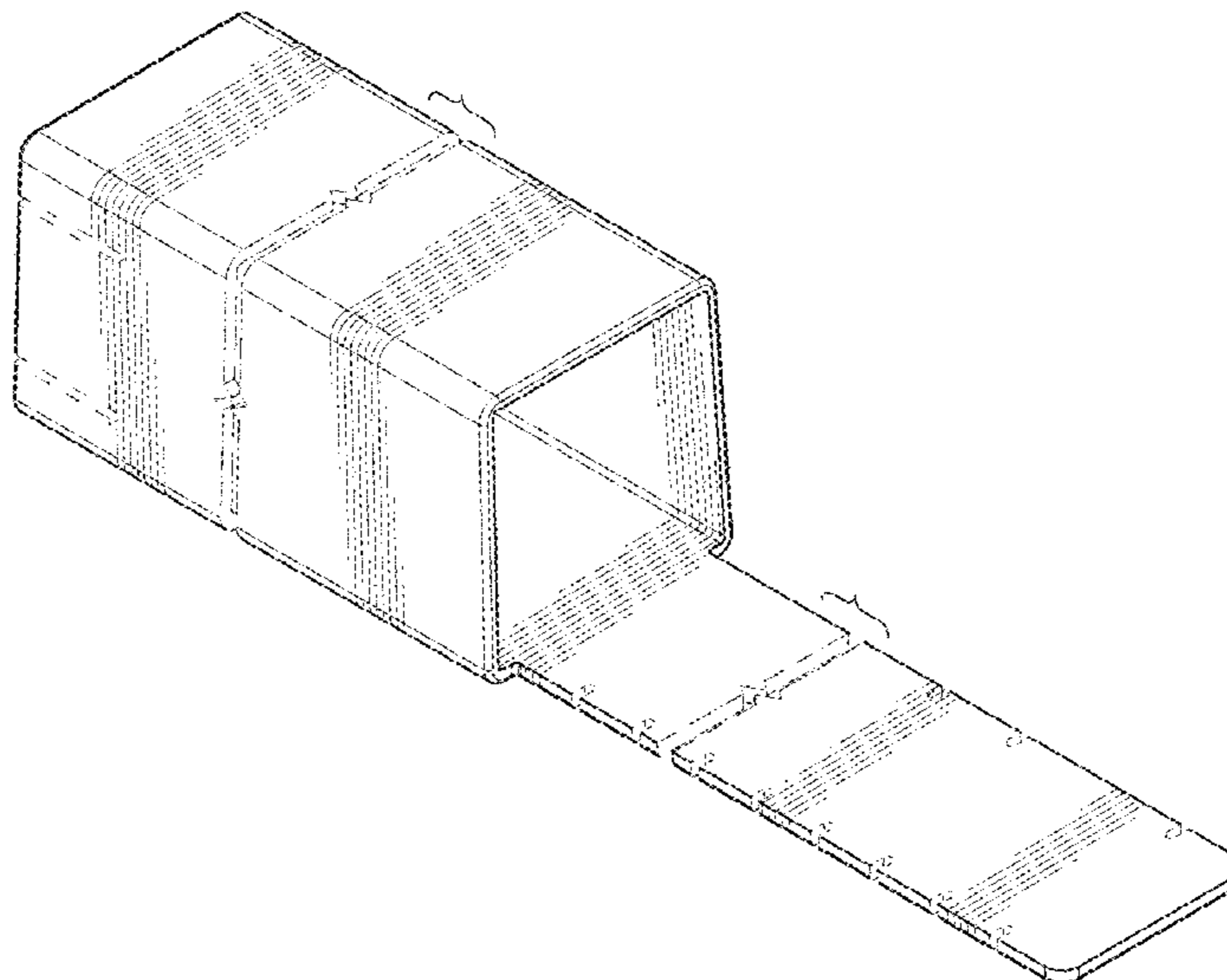
(57) **CLAIM**

The ornamental design for a butter dispenser, as shown and described.

DESCRIPTION

FIG. 1 is a first perspective view;
FIG. 2 is a back view;
FIG. 3 is a front view;
FIG. 4 is a left side view;
FIG. 5 is a right side view;
FIG. 6 is a top view; and,
FIG. 7 is a bottom view.
The broken lines show portions of the butter dispenser that form no part of the claimed design.
The butter dispenser is shown with symbolic breaks in its length and width. The dash dot broken lines and the appearance of any portion of the article between the break lines forms no part of the claimed design.

1 Claim, 6 Drawing Sheets



(56)

References Cited

U.S. PATENT DOCUMENTS

D347,366 S * 5/1994 Harmen D7/670
D401,119 S * 11/1998 Demore D7/609
D524,106 S * 7/2006 Peterson G01F 19/005
D7/502
D571,166 S * 6/2008 Ben Shlomo B65D 83/0005
D7/670
D894,730 S * 9/2020 Watson D9/425

OTHER PUBLICATIONS

Butter Dishes Keeper Slicer with Lids, first available Jul. 21, 2020, Amazon, [online], [site visited Dec. 17, 2021], Available from internet URL: <https://www.amazon.com/Silicone-Container-Storage-Kitchen-Homemade/dp/B08DD7QG83> (Year: 2020).*

* cited by examiner

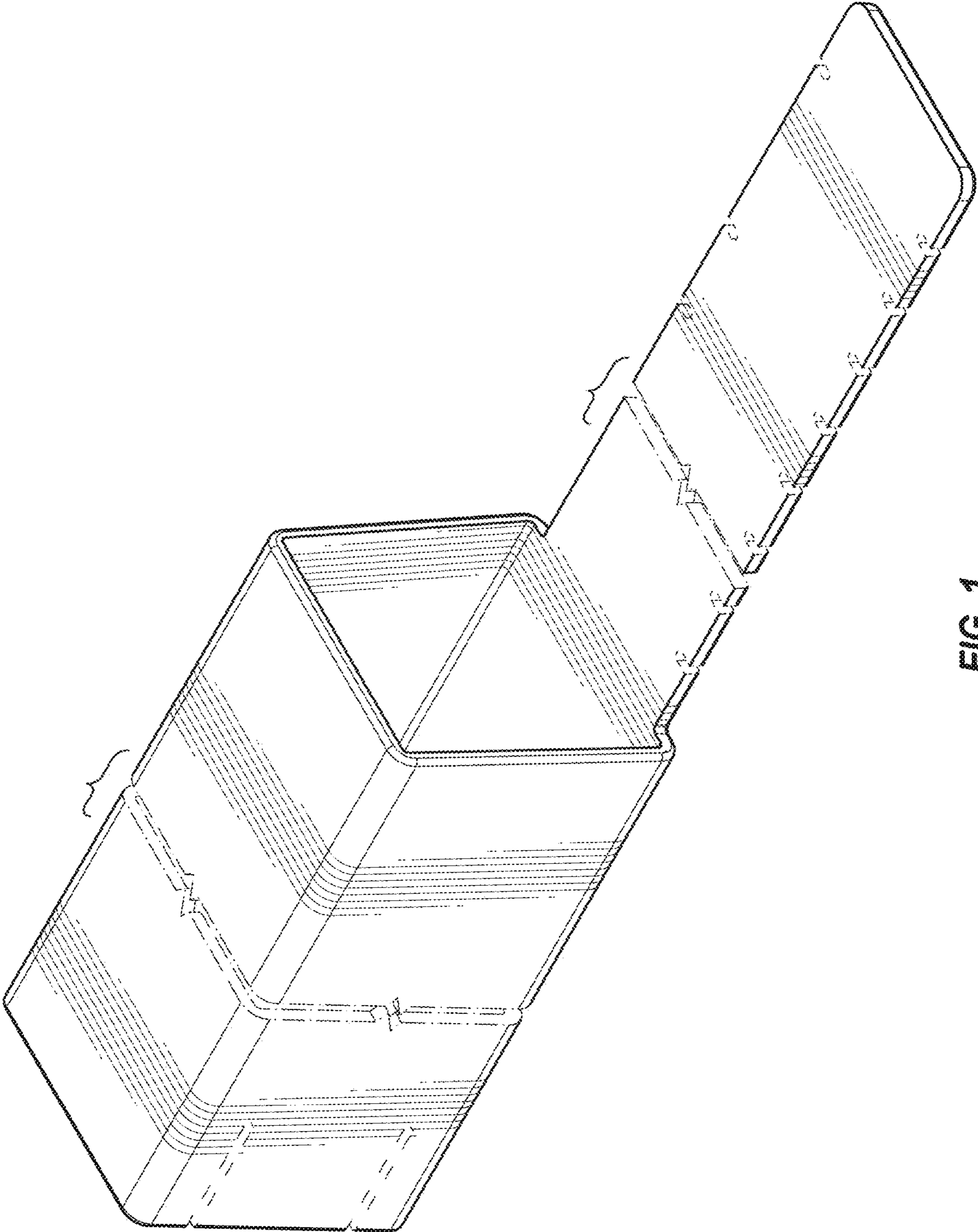


FIG. 1

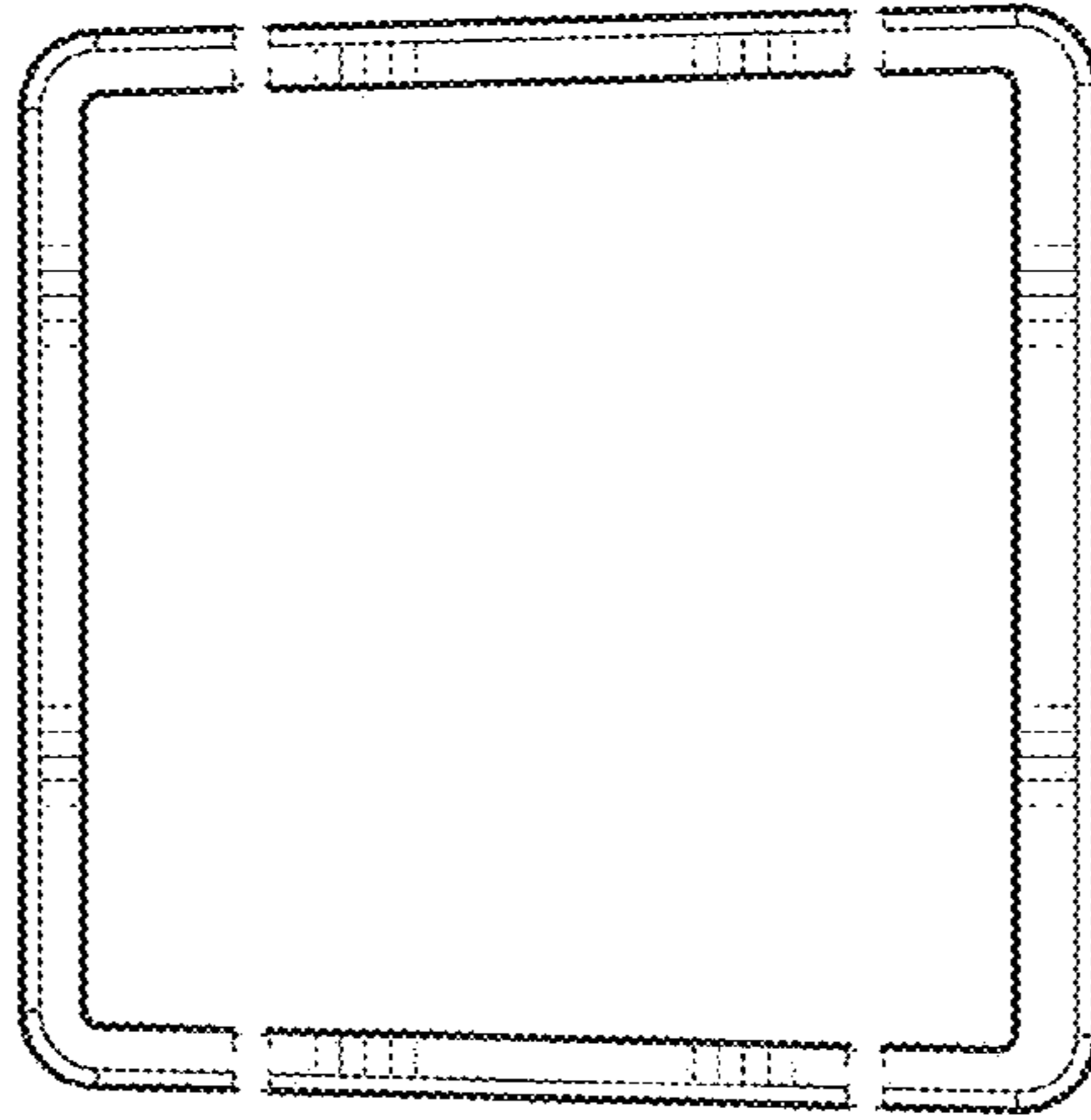


FIG. 3

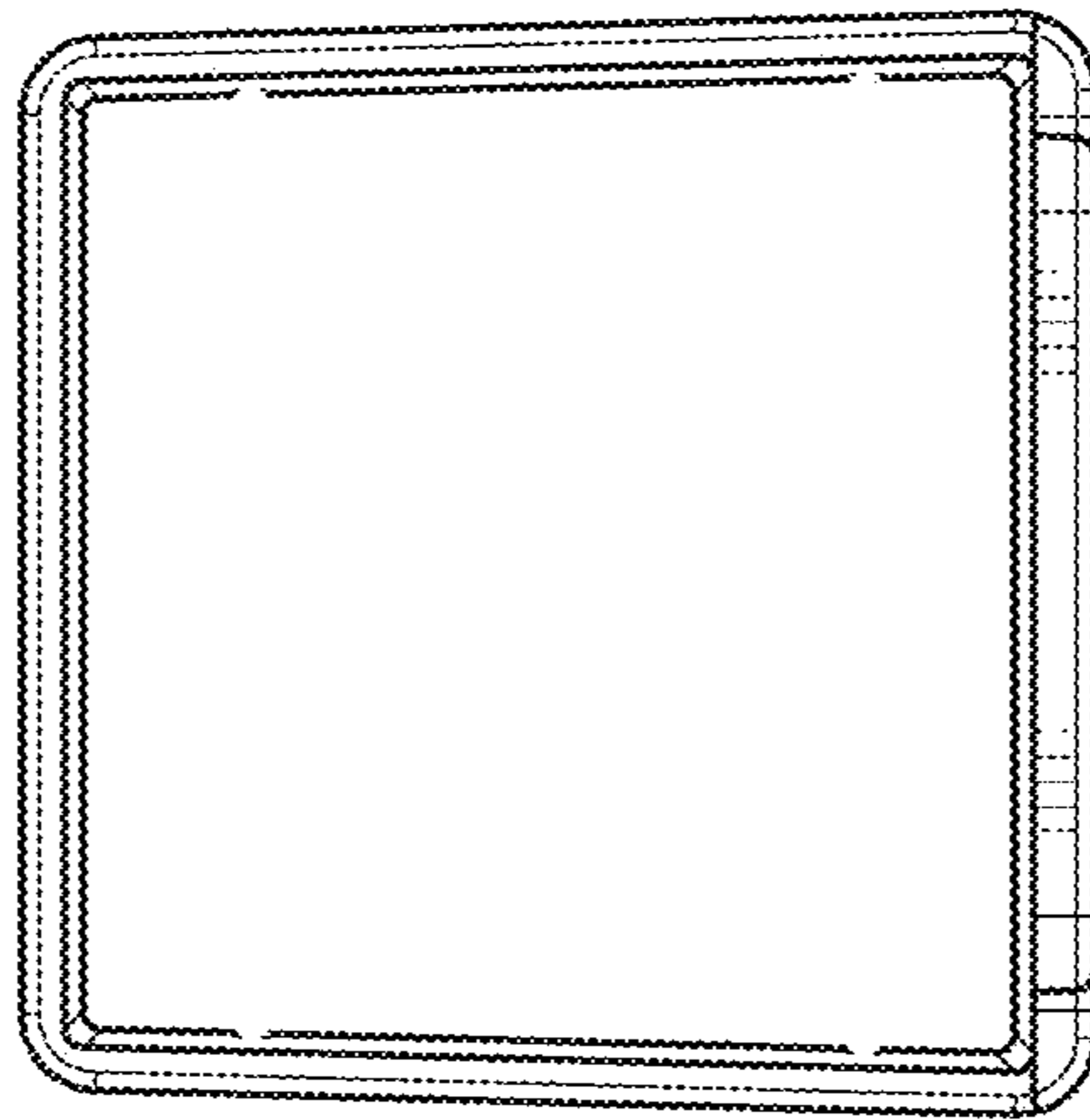


FIG. 2

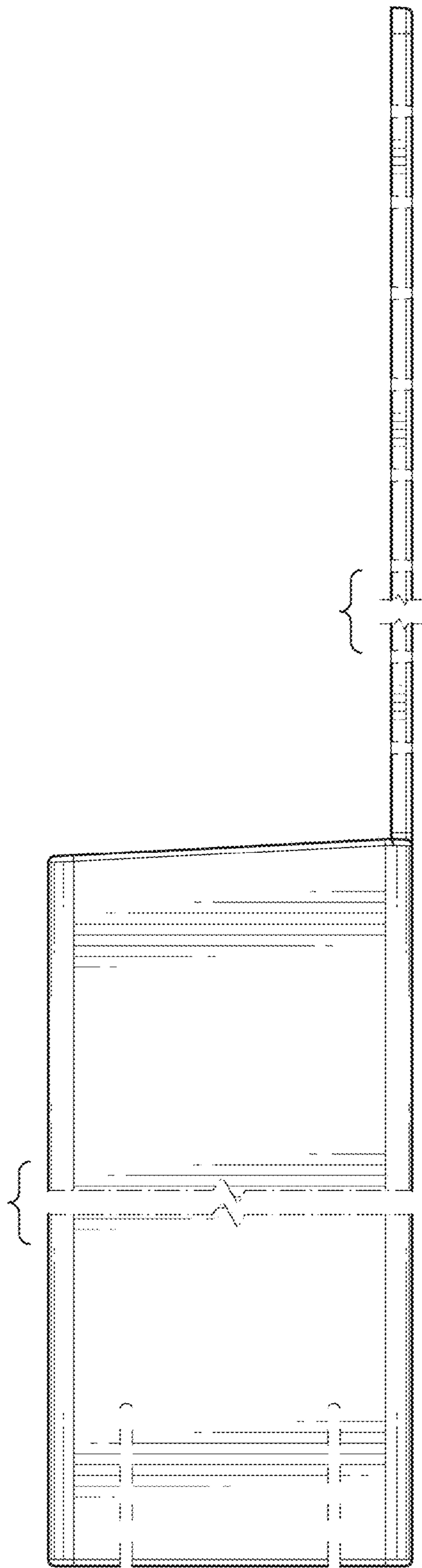


FIG. 4

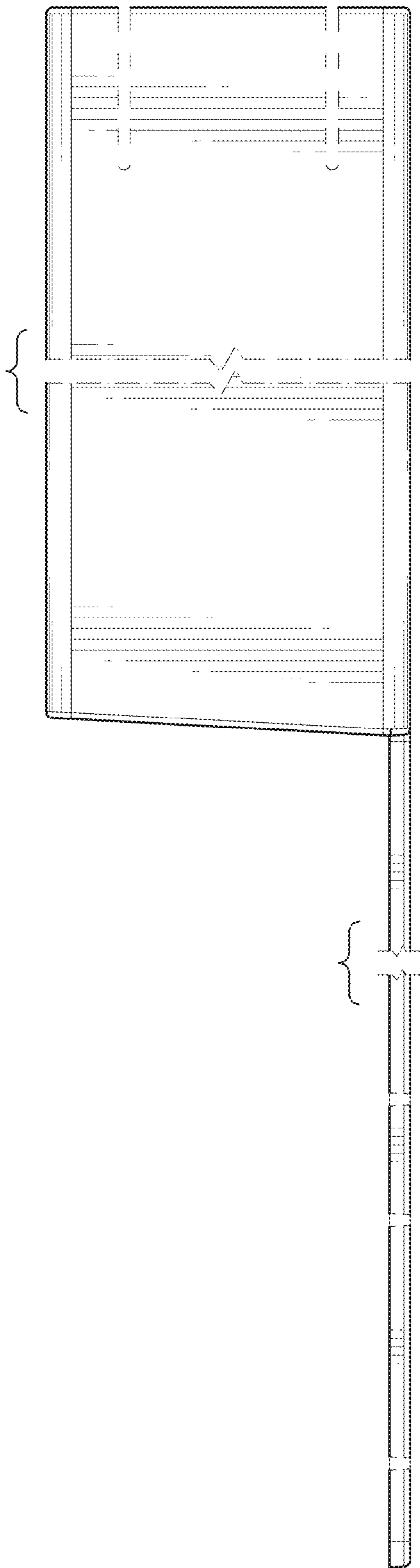


FIG. 5

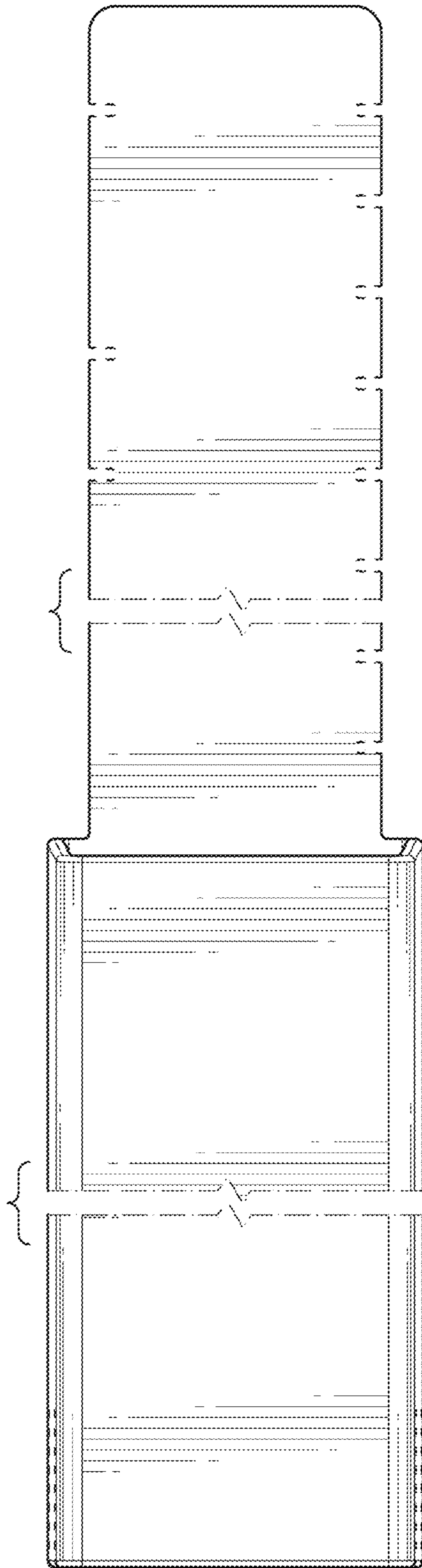


FIG. 6

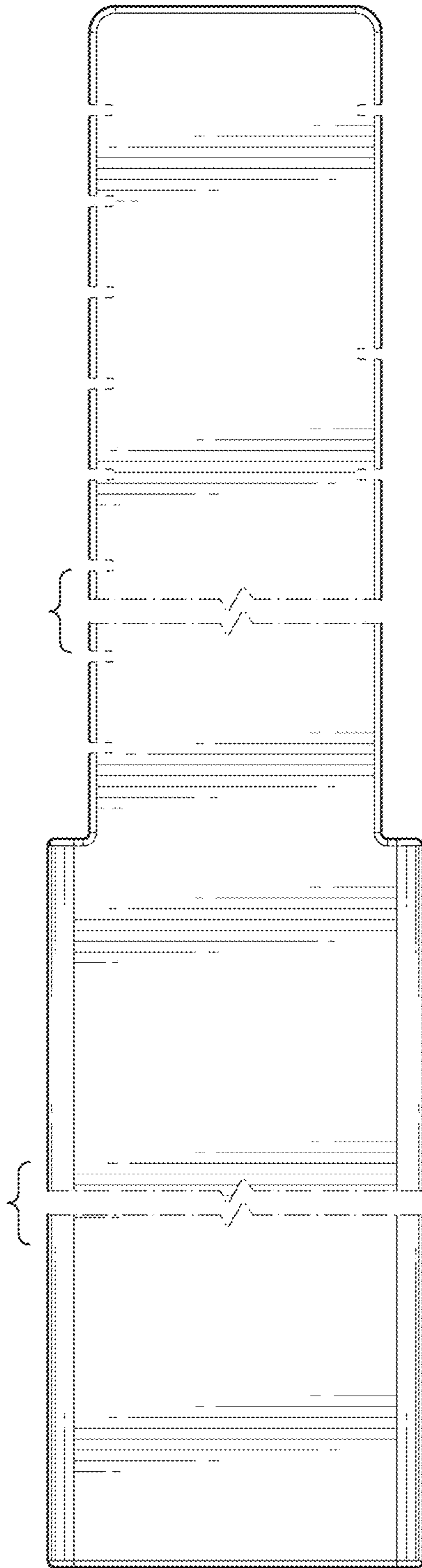


FIG. 7