



US00D959196S

(12) **United States Design Patent** (10) **Patent No.:** **US D959,196 S**  
**Mock et al.** (45) **Date of Patent:** **\*\* Aug. 2, 2022**

(54) **CITRUS REAMER ACCESSORY FOR A BLENDER**

(71) Applicant: **WHIRLPOOL CORPORATION**,  
Benton Harbor, MI (US)

(72) Inventors: **Brandon T. Mock**, St. Joseph, MI  
(US); **Aaron McNabb Evans**, St.  
Joseph, MI (US)

(73) Assignee: **Whirlpool Corporation**, Benton  
Harbor, MI (US)

(\*\*) Term: **15 Years**

(21) Appl. No.: **29/819,610**

(22) Filed: **Dec. 16, 2021**

**Related U.S. Application Data**

(63) Continuation of application No. 29/799,780, filed on  
Jul. 16, 2021, now Pat. No. Des. 940,504, which is a  
(Continued)

(51) **LOC (13) Cl.** ..... **31-00**

(52) **U.S. Cl.**  
USPC ..... **D7/412; D7/376; D7/378; D7/413**

(58) **Field of Classification Search**  
USPC ..... **D7/319, 372, 376-386, 393, 412-413,**  
**D7/586, 602, 629, 665-666, 669, 679,**  
**D7/693-694**

CPC .... **A21C 1/02; A21C 1/04; A23N 1/00; A23N**  
**1/02; A47J 19/023; A47J 43/04; A47J**  
**43/25; A47J 43/27; A47J 43/042; A47J**  
**43/044; A47J 43/046; A47J 43/075; A47J**  
**43/0722; A47J 43/0727; B01F 3/00; B01F**  
**3/0807; B01F 3/0853; B01F 13/0059;**  
**B01F 13/0064; B02C 1/08; B02C 2/04;**  
**B02C 4/42; B02C 4/142; B02C 4/143;**  
**B02C 4/423; B02C 13/1835; B28C 5/10;**  
**B28C 5/12; B28C 5/14; B28C 5/16**

See application file for complete search history.

(56) **References Cited**

**U.S. PATENT DOCUMENTS**

2,677,947 A 5/1954 Van Guilder  
D225,792 S 1/1973 Fritsche et al.

(Continued)

**OTHER PUBLICATIONS**

Citrus Juicer, Sunhanny Orange Lemon Manual Hand Squeezer.  
Date First Available on Amazon.com Apr. 8, 2018. <https://www.amazon.com/dp/B07C22MYGM/ref> (Year: 2018).\*

*Primary Examiner* — Ricky Pham

(74) *Attorney, Agent, or Firm* — Price Heneveld LLP

(57) **CLAIM**

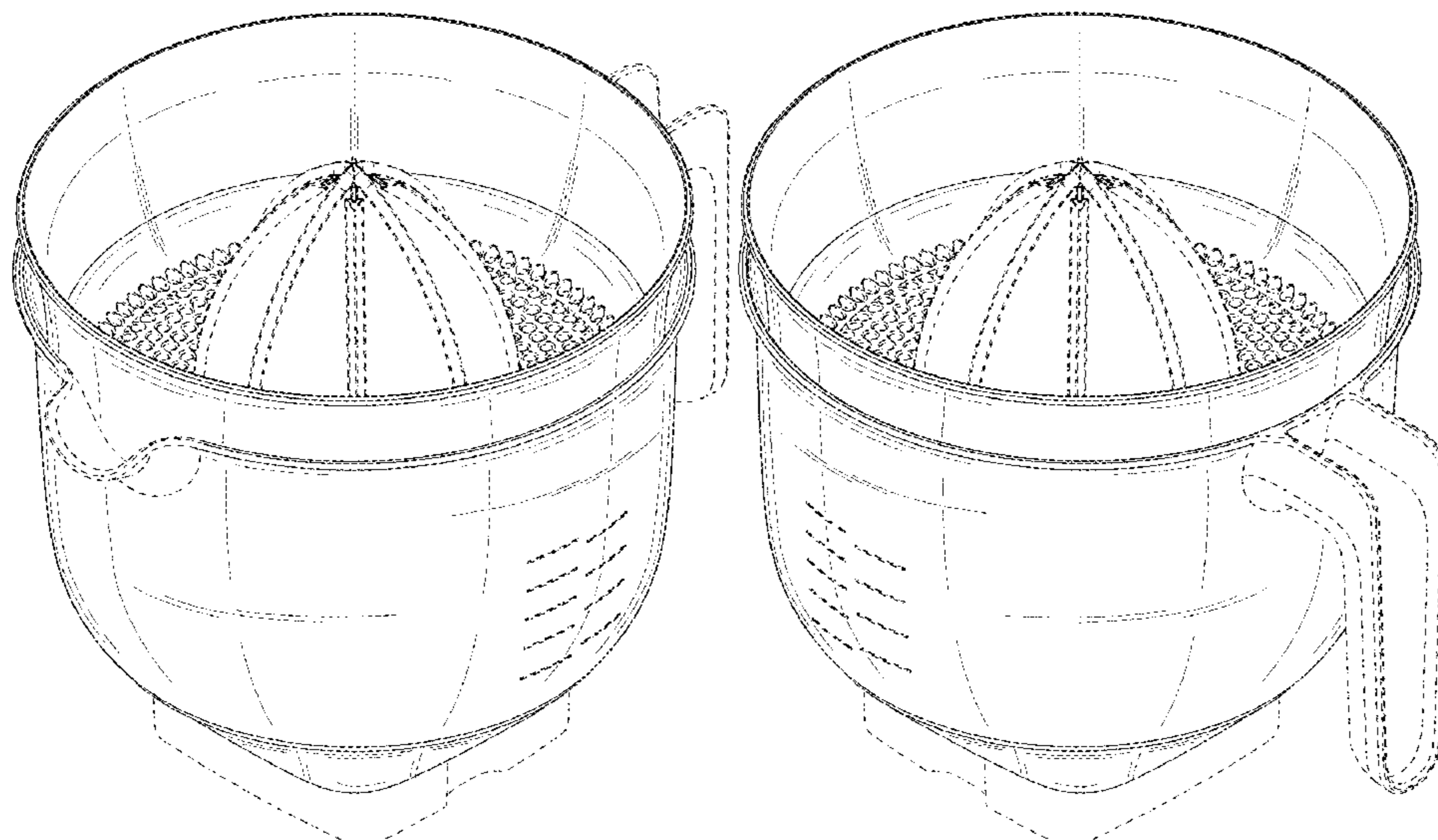
We claim the ornamental design for a citrus reamer acces-  
sory for a blender, as shown and described.

**DESCRIPTION**

FIG. 1 is a front perspective view of a citrus reamer  
accessory for a blender of the present disclosure;  
FIG. 2 is a rear perspective view of the citrus reamer  
accessory of FIG. 1;  
FIG. 3 is a front elevational view of the citrus reamer  
accessory of FIG. 1;  
FIG. 4 is a rear elevational view of the citrus reamer  
accessory of FIG. 1;  
FIG. 5 is a first side elevational view of the citrus reamer  
accessory of FIG. 1;  
FIG. 6 is a second side elevational view of the citrus reamer  
accessory of FIG. 1;  
FIG. 7 is a top plan view of the citrus reamer accessory of  
FIG. 1; and,  
FIG. 8 is a bottom plan view of the citrus reamer accessory  
of FIG. 1.

The broken lines depict portions of the article that form no  
part of the claimed design.

**1 Claim, 8 Drawing Sheets**



**Related U.S. Application Data**

continuation of application No. 29/767,898, filed on Jan. 26, 2021, now Pat. No. Des. 925,283, which is a continuation of application No. 29/718,098, filed on Dec. 20, 2019, now Pat. No. Des. 909,133.

(56)

**References Cited**

U.S. PATENT DOCUMENTS

D251,405 S 3/1979 Ackeret  
 D283,002 S \* 3/1986 Daenen ..... D7/319  
 D283,193 S 4/1986 Daenen  
 D379,744 S 6/1997 Thackray  
 D383,646 S 9/1997 Jeppesen et al.  
 D387,610 S 12/1997 Hippen et al.  
 D407,954 S 4/1999 Lehn  
 D465,386 S 11/2002 Wang et al.  
 D499,604 S 12/2004 Hooper et al.  
 D565,357 S \* 4/2008 Chan ..... D7/505  
 D598,713 S 8/2009 Luft  
 D646,524 S 10/2011 Kortleven  
 D653,902 S 2/2012 Chen  
 D660,186 S 5/2012 Williams et al.  
 D668,915 S 10/2012 Drees  
 D673,426 S 1/2013 Heiberg et al.  
 D678,727 S 3/2013 Kolar  
 D702,487 S 4/2014 Gillette et al.

D712,702 S 9/2014 Stamper et al.  
 9,095,169 B1 8/2015 Foley et al.  
 D737,619 S 9/2015 Cornu et al.  
 9,220,372 B2 \* 12/2015 Benoit ..... A47J 43/0727  
 D753,951 S \* 4/2016 Cornu ..... D7/393  
 D772,643 S \* 11/2016 Bazzicalupo ..... D7/384  
 D805,359 S \* 12/2017 Kim ..... D7/665  
 D824,213 S 7/2018 Abrell  
 D836,409 S 12/2018 Silsby et al.  
 D859,918 S \* 9/2019 Saubert ..... D7/412  
 D865,437 S 11/2019 Steiner et al.  
 D869,226 S 12/2019 Saubert et al.  
 D869,238 S 12/2019 Saubert et al.  
 D871,832 S 1/2020 Marina et al.  
 D878,167 S 3/2020 XiangZe  
 D903,434 S 12/2020 Chen  
 D905,508 S \* 12/2020 Krus ..... D7/665  
 D909,133 S 2/2021 Mock et al.  
 D925,283 S \* 7/2021 Mock ..... D7/378  
 D925,980 S \* 7/2021 McConnell ..... D7/378  
 D940,504 S \* 1/2022 Mock ..... D7/378  
 2003/0005832 A1 1/2003 Wang et al.  
 2007/0125244 A1 6/2007 Hensel  
 2007/0272091 A1 \* 11/2007 Hsien ..... A47J 19/023  
 99/501  
 2010/0084370 A1 4/2010 Ranzoni  
 2010/0208548 A1 \* 8/2010 Hemelgarn ..... A47J 43/0727  
 366/198

\* cited by examiner

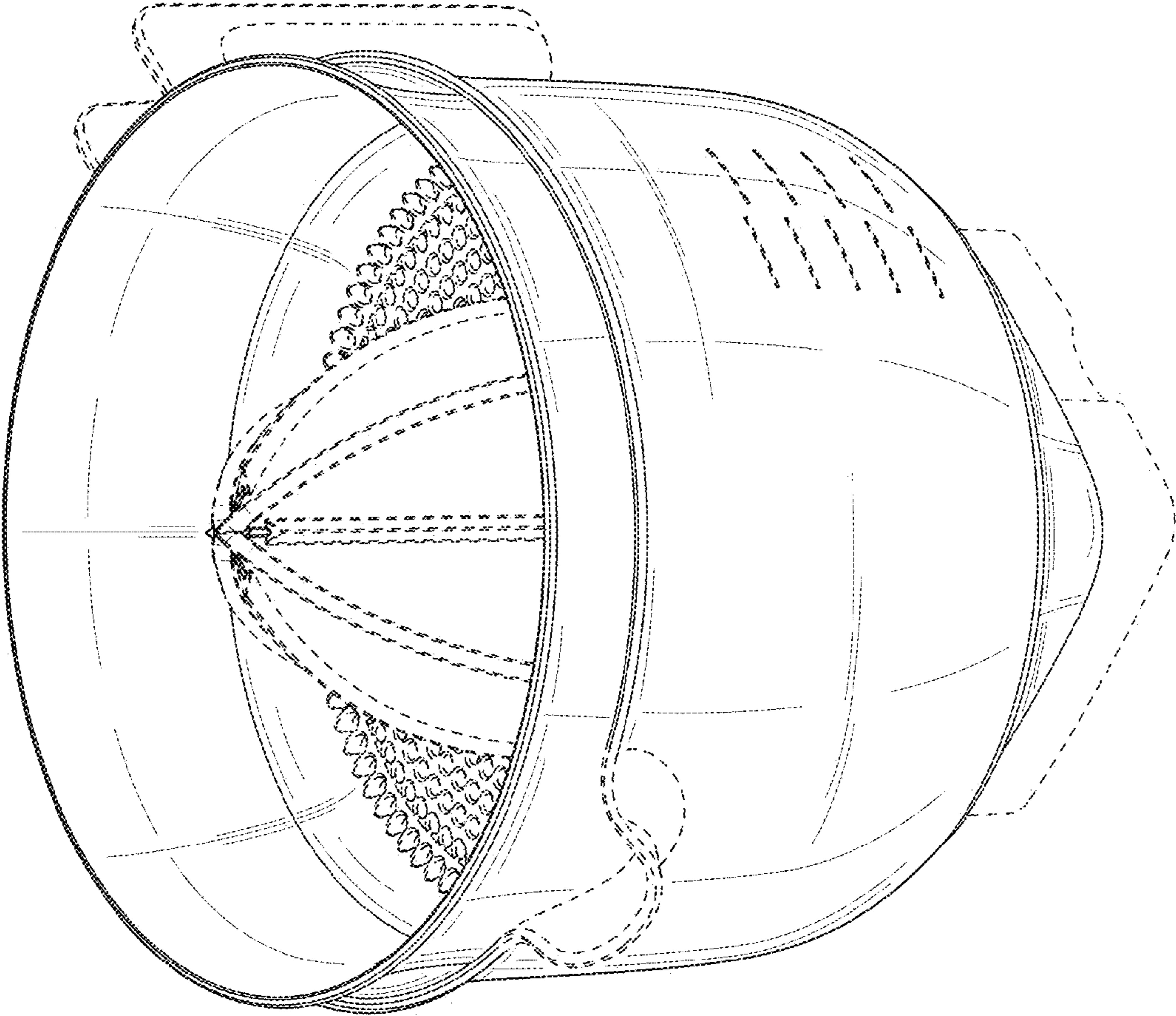


FIG. 1

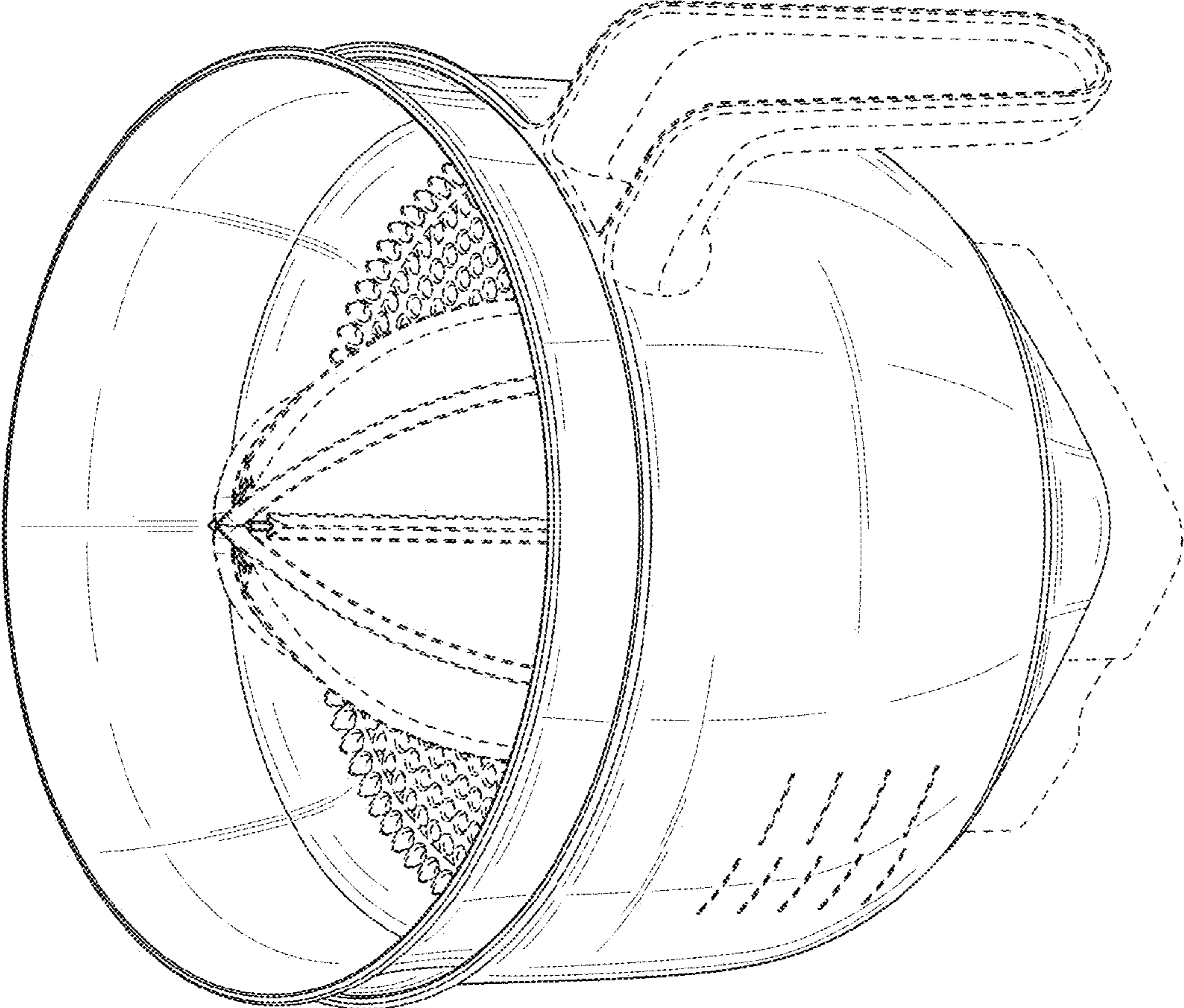


FIG. 2

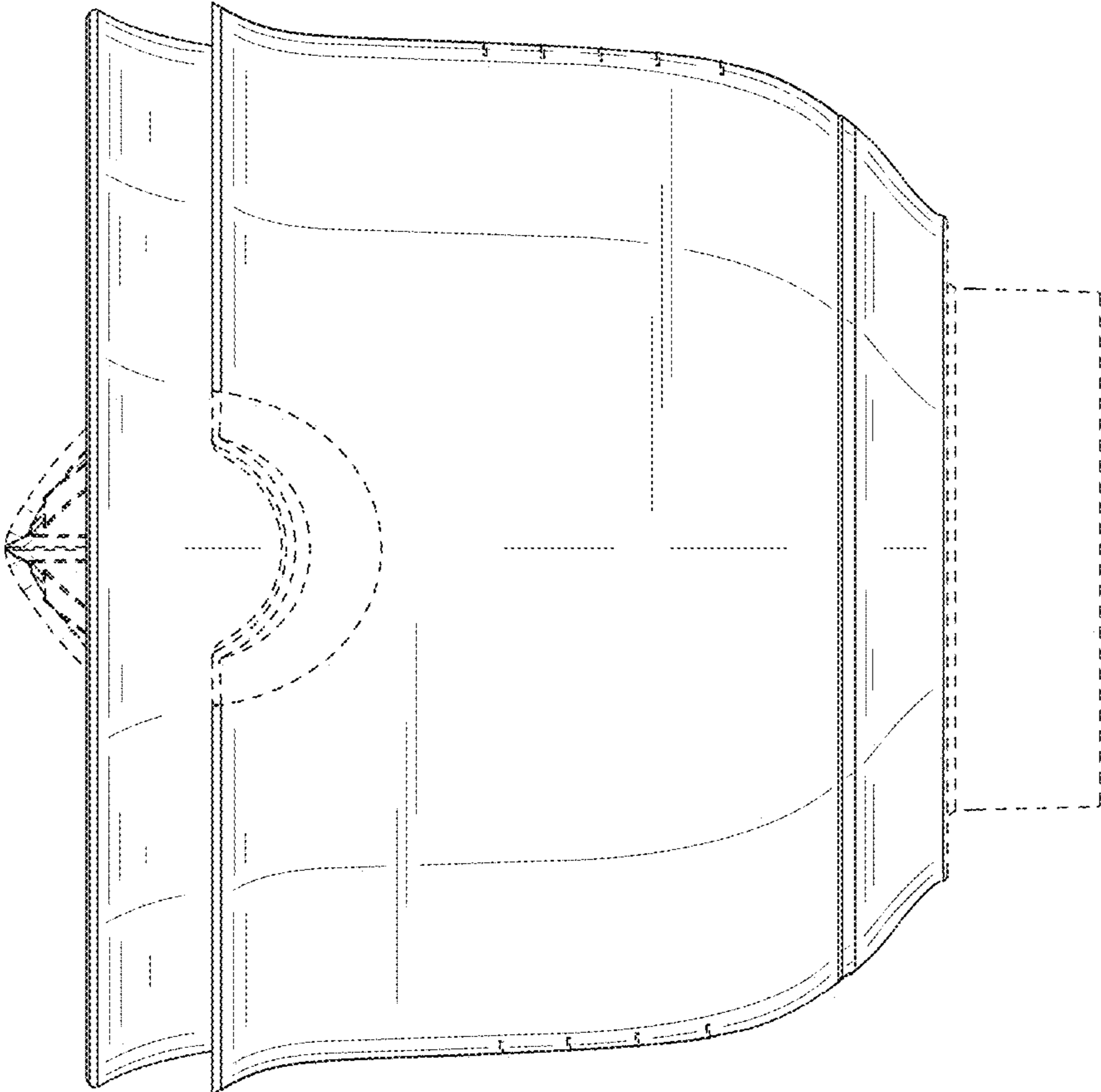


FIG. 3

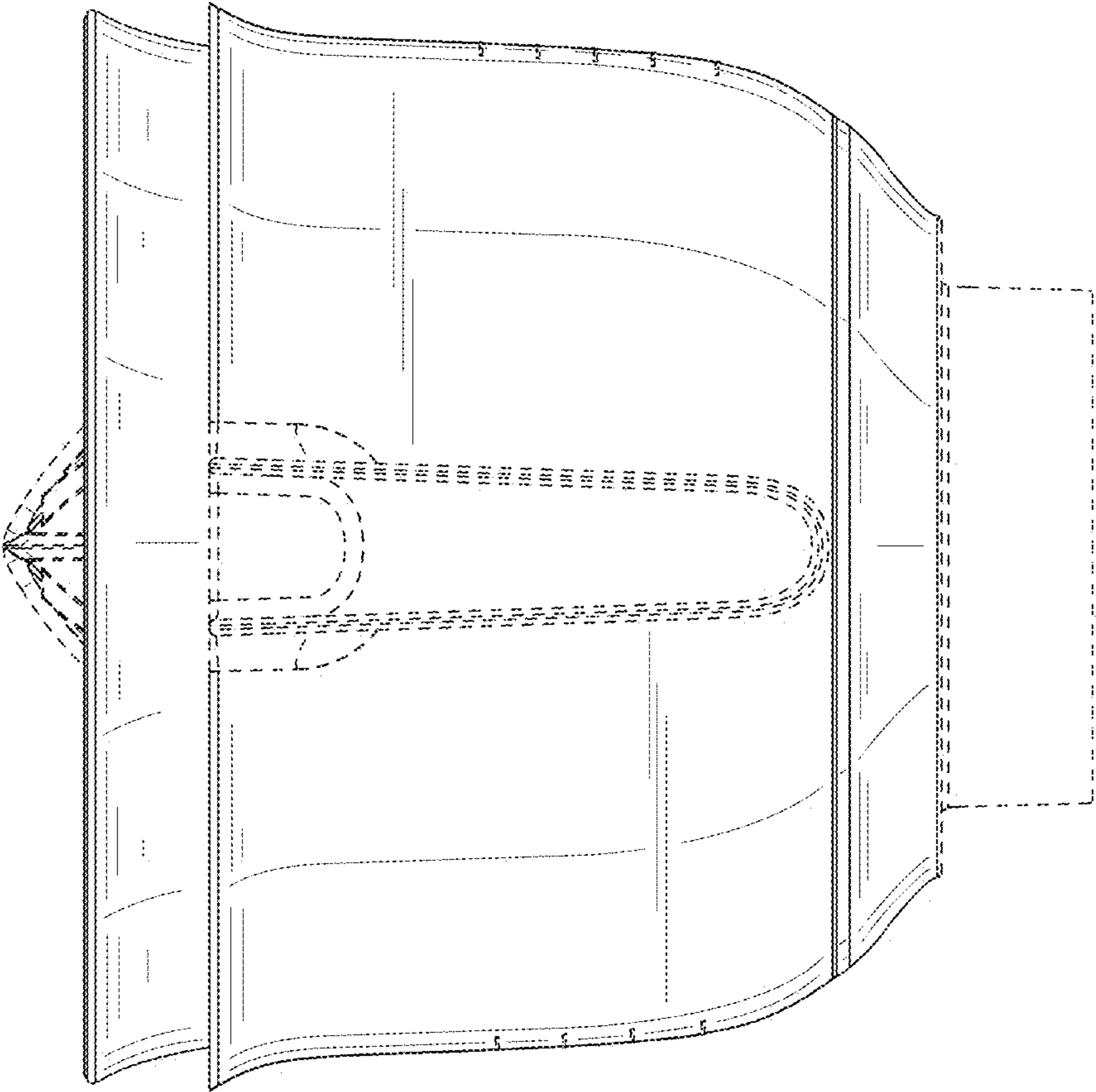


FIG. 4

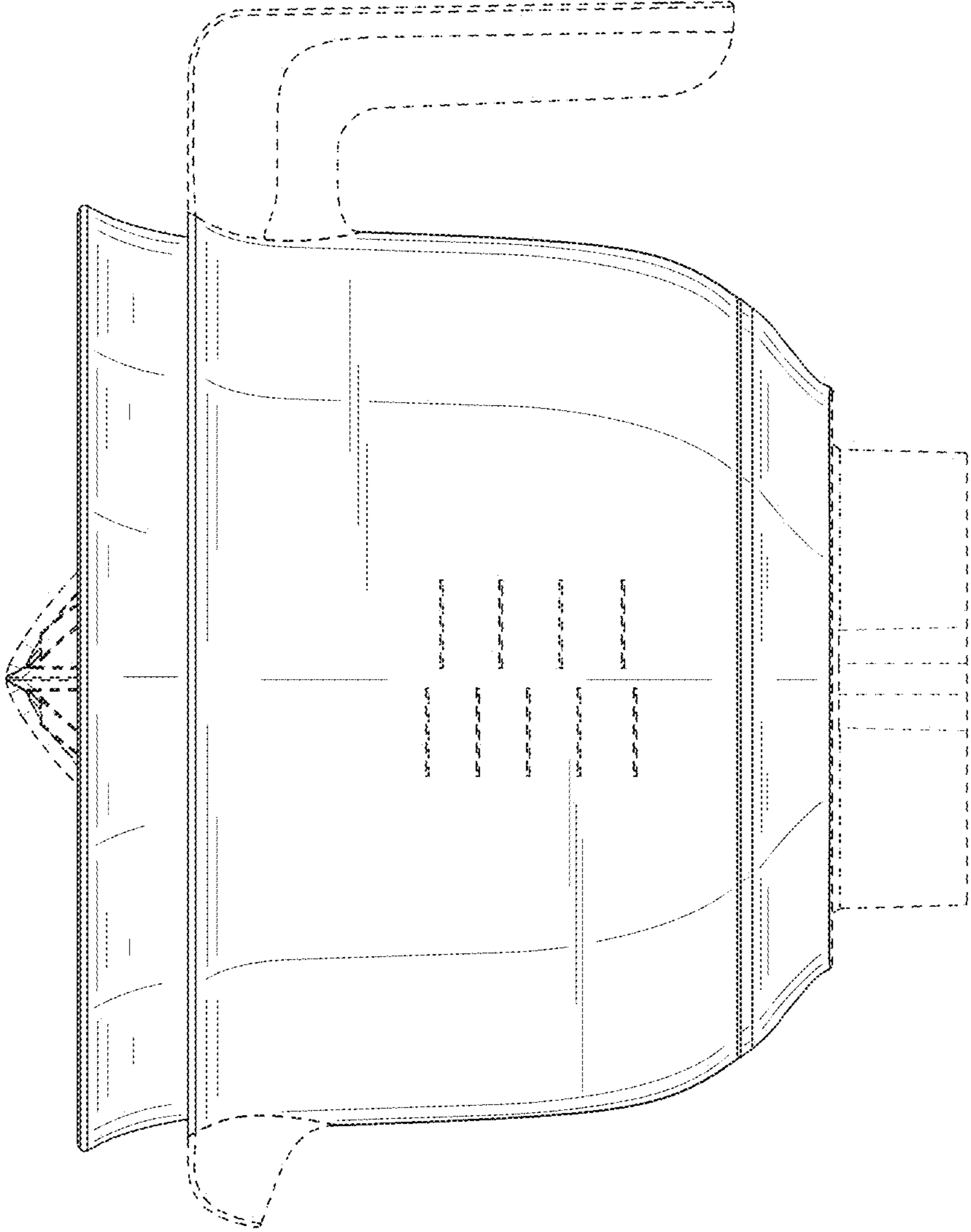


FIG. 5

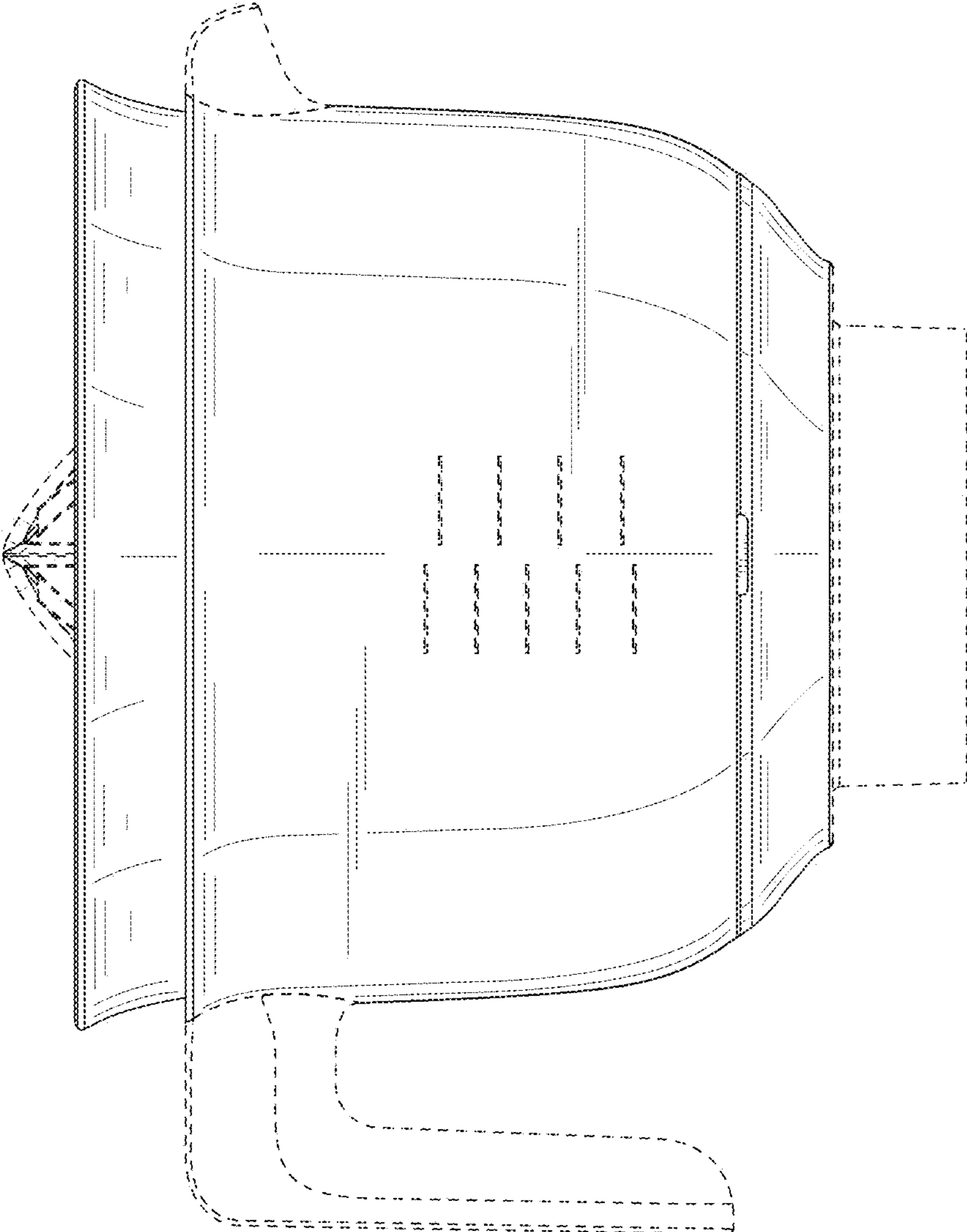


FIG. 6



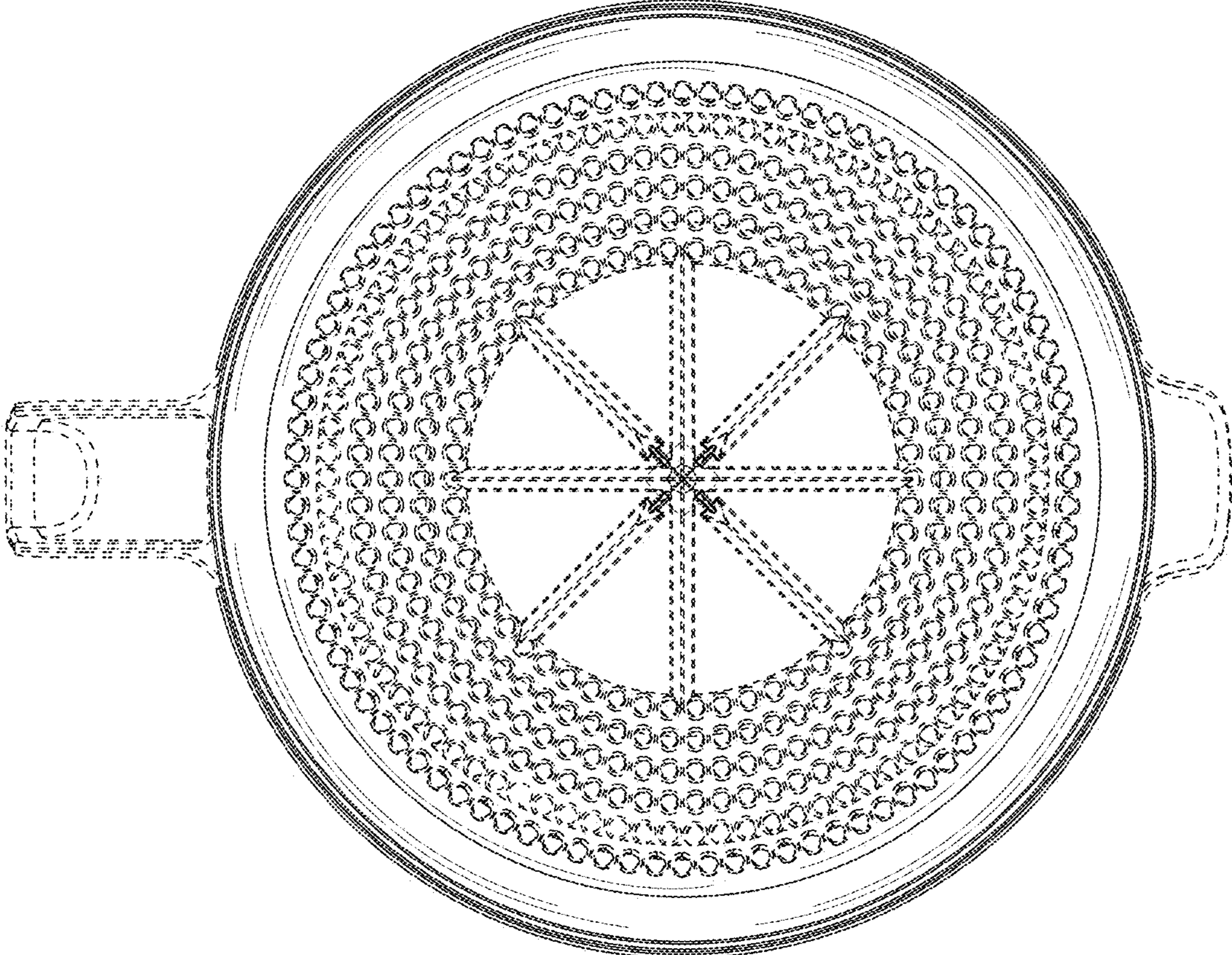


FIG. 7

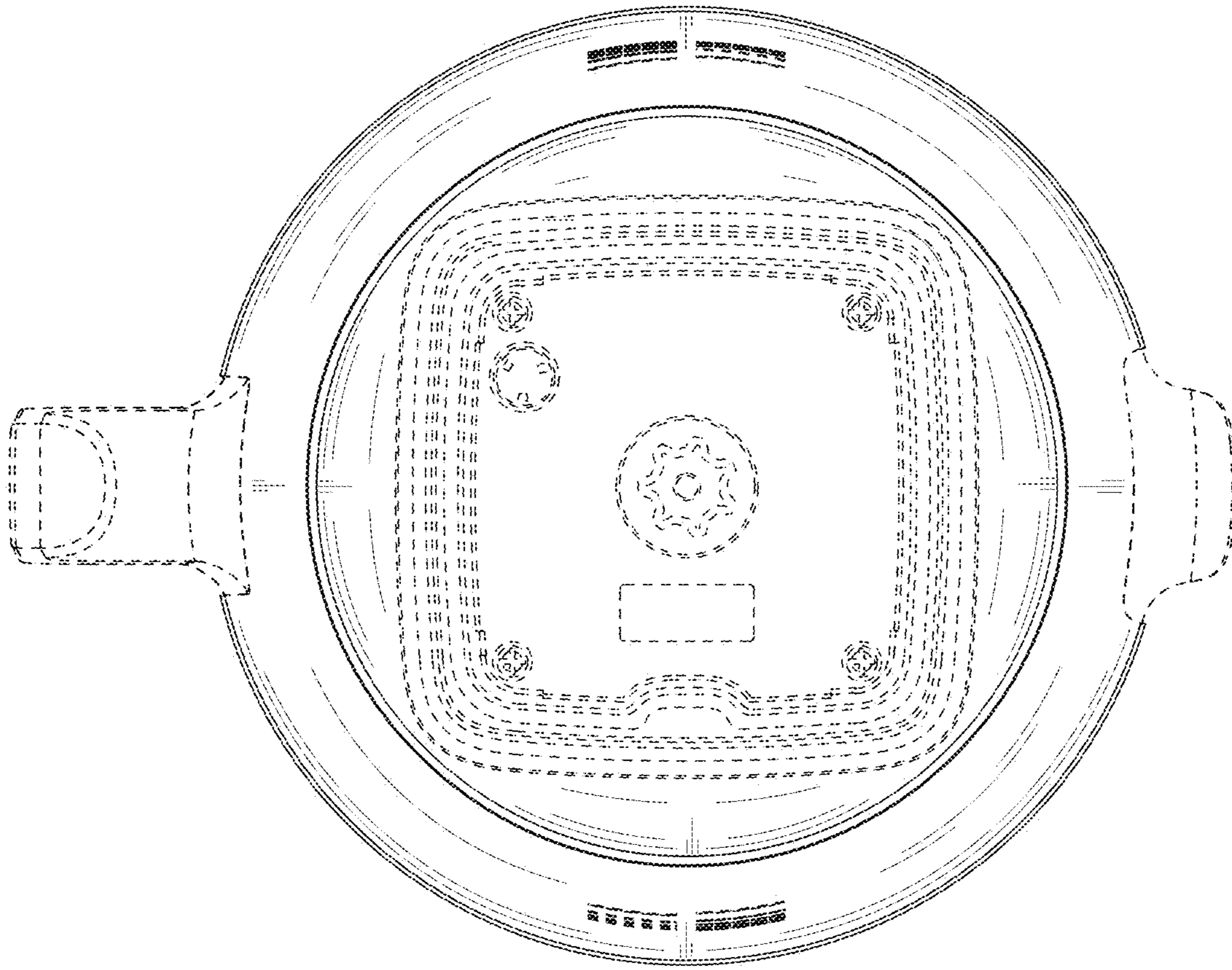


FIG. 8