



US00D959194S

(12) **United States Design Patent**
Hamel et al.

(10) **Patent No.:** **US D959,194 S**

(45) **Date of Patent:** **** Aug. 2, 2022**

- (54) **MOUNTABLE TRAY**
- (71) Applicant: **Weber-Stephen Products LLC**,
Palatine, IL (US)
- (72) Inventors: **Qian Hamel**, Palatine, IL (US); **Aman Sharma**, Round Lake, IL (US);
Romualdo Sonny Siazon, Woodstock, IL (US)

3,260,486 A 7/1966 Groff
 D244,352 S * 5/1977 Congleton D9/425
 D247,025 S * 1/1978 Cherry D3/312
 D250,443 S 12/1978 Romanoff
 D255,668 S 7/1980 Sidders et al.
 D256,861 S 9/1980 Ryan et al.
 4,331,123 A 5/1982 Alles et al.
 4,337,751 A 7/1982 Sampson et al.

(Continued)

FOREIGN PATENT DOCUMENTS

- (73) Assignee: **WEBER-STEPHEN PRODUCTS LLC**, Palatine, IL (US)

WO 8806868 9/1988

(**) Term: **15 Years**

OTHER PUBLICATIONS

(21) Appl. No.: **29/791,181**

Weber, "Charcoal Grill Replacement Parts—iGrill Bracket," dated 2020, 4 pages.

(22) Filed: **Jan. 3, 2022**

(Continued)

Related U.S. Application Data

- (63) Continuation of application No. 29/733,234, filed on Apr. 3, 2020, now Pat. No. Des. 942,214.

Primary Examiner — Nathan M Johnston

(51) **LOC (13) Cl.** **07-02**

(74) *Attorney, Agent, or Firm* — Hanley, Flight & Zimmerman, LLC

(52) **U.S. Cl.**
USPC **D7/406**

(57) **CLAIM**

(58) **Field of Classification Search**
 USPC D7/332–337, 402–409; D34/21, 12, 17,
 D34/27; D24/227, 229, 230; D6/553,
 D6/574, 513, 406.2; D12/400
 CPC A47J 37/07–0763; A47J 37/0781; A47J
 37/0786; A47J 37/079; A47J 2037/0777;
 A47J 2037/0795; F24C 1/16; F24C 3/14;
 F24B 1/205

The ornamental design for a "mountable tray", as shown and described.

See application file for complete search history.

DESCRIPTION

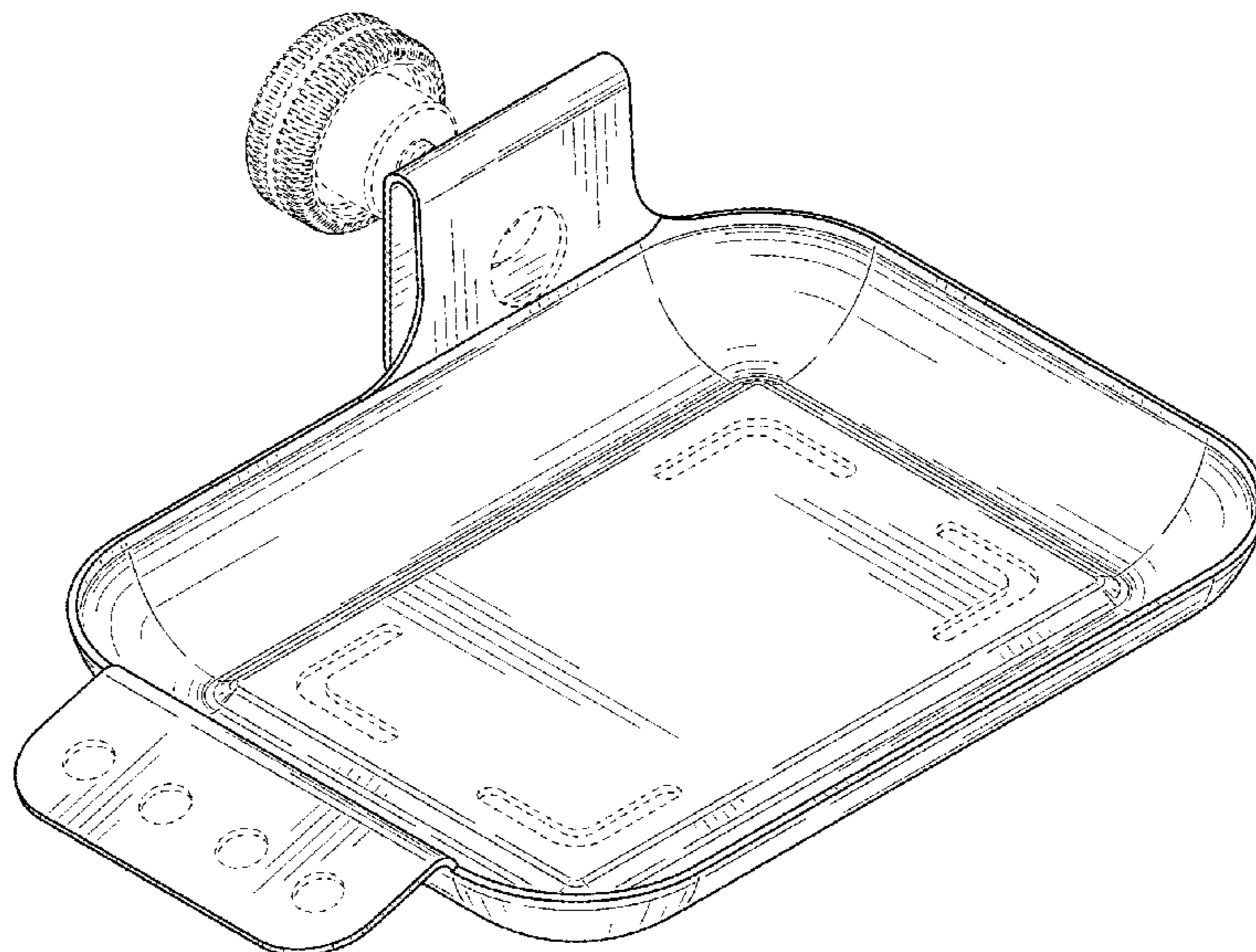
(56) **References Cited**

U.S. PATENT DOCUMENTS

D158,138 S 4/1950 Simpson
 2,529,285 A 11/1950 Felton
 3,187,923 A 6/1965 Christensen

FIG. 1 is a perspective view of a mountable tray.
 FIG. 2 is a front view of the mountable tray of FIG. 1.
 FIG. 3 is a rear view of the mountable tray of FIG. 1.
 FIG. 4 is a right side view of the mountable tray of FIG. 1.
 FIG. 5 is a left side view of the mountable tray of FIG. 1.
 FIG. 6 is a top view of the mountable tray of FIG. 1; and,
 FIG. 7 is a bottom view of the mountable tray of FIG. 1.
 The features shown in broken lines form no part of the claimed design.
 The lighter solid lines denote surfaces and contours. Line shading is not surface ornamentation.

1 Claim, 5 Drawing Sheets



(56)

References Cited

U.S. PATENT DOCUMENTS

D272,505 S 2/1984 Daenen et al.
 4,466,445 A 8/1984 Abrams
 4,665,888 A 5/1987 Christen, Jr. et al.
 D293,999 S * 2/1988 Grindrod D7/354
 D312,185 S 11/1990 Prater, Sr.
 D314,485 S 2/1991 Chap et al.
 D332,367 S 1/1993 McKeone et al.
 5,221,006 A 6/1993 Plumlee et al.
 D341,971 S 12/1993 Corbin
 D345,067 S * 3/1994 Shafer D6/536
 D371,506 S 7/1996 Nofziger
 5,560,576 A 10/1996 Cargill
 5,615,504 A 4/1997 Peterson et al.
 D408,682 S * 4/1999 Costa D7/354
 5,947,272 A * 9/1999 Park A47K 5/02
 4/628
 D432,836 S 10/2000 Gastelum et al.
 D433,858 S 11/2000 Gastelum et al.
 D446,719 S 8/2001 Garraway
 6,350,089 B1 2/2002 Tekavec
 D469,249 S 1/2003 Cain
 D484,097 S 12/2003 Drane et al.
 D484,697 S * 1/2004 McCoy D3/304
 D488,944 S * 4/2004 Hoernig D6/540
 D493,256 S 7/2004 Kim
 D496,816 S 10/2004 Hoernig
 6,808,147 B2 10/2004 Brannen et al.
 D513,171 S 12/2005 Richardson
 D541,044 S 4/2007 Wagner, II
 D543,403 S 5/2007 Tau
 7,252,274 B1 8/2007 Brannen
 7,431,251 B2 10/2008 Carnevali
 D602,352 S * 10/2009 Pendergrass D9/424
 D607,198 S 1/2010 Andre et al.
 D620,706 S 8/2010 Wagner, II
 D622,058 S 8/2010 Wagner, II
 D638,137 S * 5/2011 Gross D24/227
 D655,575 S 3/2012 Ruzika
 D667,249 S 9/2012 London
 8,333,285 B2 12/2012 Kiehnau et al.
 D682,682 S 5/2013 Biery
 D699,097 S 2/2014 Chung et al.
 D727,657 S 4/2015 Lim
 D727,791 S 4/2015 Montagano
 D733,772 S 7/2015 Kim et al.
 D754,533 S 4/2016 Afford et al.
 D759,958 S 6/2016 Requa
 D761,614 S 7/2016 Zemel et al.
 D770,232 S 11/2016 Brown et al.
 9,587,990 B2 3/2017 McCord
 9,634,711 B2 4/2017 Sirichai
 9,847,805 B2 12/2017 Sirichai
 D806,381 S 1/2018 Yu
 D821,743 S 7/2018 Cao
 D826,044 S 7/2018 Jefferies
 D824,692 S 8/2018 Kwiatkowski et al.
 10,067,004 B1 9/2018 Allen
 D839,078 S 1/2019 Stahl et al.
 D848,731 S 5/2019 Ge
 10,304,429 B1 5/2019 Broadbelt et al.
 D852,793 S 7/2019 Zhou
 10,362,855 B2 7/2019 Whang et al.
 D859,031 S * 9/2019 Ritch A46B 17/02
 D6/574
 D863,040 S 10/2019 DeDios-Shirley et al.
 D865,487 S 11/2019 DeDios-Shirley et al.
 D886,569 S 6/2020 Vlad et al.
 D887,890 S 6/2020 Liu
 D891,777 S 8/2020 Newton
 D906,095 S 12/2020 DeDios-Shirley et al.
 D931,058 S * 9/2021 Hamilton D7/554.3
 D931,711 S 9/2021 Sharma et al.
 D932,234 S * 10/2021 McKenzie D7/359
 D942,214 S 2/2022 Hamel et al.
 2002/0136263 A1 9/2002 Wilkins

2006/0070613 A1 4/2006 Cummings et al.
 2018/0177335 A1 6/2018 Polaczek et al.
 2018/0224337 A1 8/2018 Nagasaka et al.
 2018/0338351 A1 11/2018 Schmeski
 2018/0372555 A1 12/2018 Allen, Sr.

OTHER PUBLICATIONS

IP Australia, "Formalities notice No. 1—requirements not met," issued in connection with Australian Patent Application No. 202014604, dated Nov. 9, 2020, 2 pages.
 IP Australia, "Formalities notice No. 1—requirements not met," issued in connection with Australian Patent Application No. 202014603, dated Nov. 13, 2020, 2 pages.
 IP Australia, "Certificate of Registration," issued in connection with Australian Patent Application No. 202014603, dated Nov. 17, 2020, 8 pages.
 IP Australia, "Certificate of Registration," issued in connection with Australian Patent Application No. 202014604, dated Nov. 18, 2020, 7 pages.
 IP Australia, "Certificate of Registration," issued in connection with Australian Patent Application No. 202014602, dated Nov. 9, 2020, 8 pages.
 European Union Intellectual Property Office, "Certificate of Registration No. 008166680-0001," issued on Sep. 11, 2020, 5 pages.
 China National Intellectual Property Administration, "Design Certificate," issued in connection with Chinese Patent No. ZL 202030532259.7, dated Feb. 26, 2021, 3 pages.
 China National Intellectual Property Administration, "Notice of Grant," issued in connection with Chinese Patent Application No. 202030530708.4, dated Jan. 13, 2021, 4 pages.
 China National Intellectual Property Administration, "Notice of Grant," issued in connection with Chinese Patent Application No. 202030530918.3, dated Jan. 28, 2021, 5 pages.
 China National Intellectual Property Administration, "Notice of Grant," issued in connection with Chinese Patent Application No. 202030532259.7, dated Jan. 18, 2021 4 pages.
 China National Intellectual Property Administration, "Design Certificate," issued in connection with Chinese Patent No. ZL 202030530918.3, dated Mar. 9, 2021, 3 pages.
 China National Intellectual Property Administration, "Design Certificate," issued in connection with Chinese Patent No. ZL 202030530708.4, dated Feb. 19, 2021, 3 pages.
 European Union Intellectual Property Office, "Certificate of Registration No. 008160139-0001," issued on Sep. 11, 2020, 4 pages.
 European Union Intellectual Property Office, "Certificate of Registration No. 008167449-0001," issued on Sep. 11, 2020, 4 pages.
 United States Patent and Trademark Office, "Notice of Allowance and Fee(s) Due," issued in connection with U.S. Appl. No. 29/733,234, dated Oct. 5, 2021, 8 pages.
 United States Patent and Trademark Office, "Notice of Allowance and Fee(s) Due," issued in connection with U.S. Appl. No. 29/733,239, dated Jul. 13, 2021, 7 pages.
 United States Patent and Trademark Office, "Notice of Allowance and Fee(s) Due," issued in connection with U.S. Appl. No. 29/733,243, dated Oct. 19, 2021, 6 pages.
 IP Australia, "Certificate of Examination," issued in connection with Australian Patent Application No. 202014605, dated Apr. 7, 2021, 2 pages.
 IP Australia, "Certificate of Registration," issued in connection with Australian Patent Application No. 202014605, dated Nov. 18, 2020, 8 pages.
 International Searching Authority, "International Search Report and Written Opinion," issued in connection with International Patent Application No. PCT/US2020/047209, dated Jan. 27, 2021, 7 pages.
 IP Australia, "Certificate of Examination," issued in connection with Australian Patent Application No. 202014602, dated Apr. 7, 2021, 2 pages.

(56)

References Cited

OTHER PUBLICATIONS

Canadian Intellectual Property Office, "Notice of Registration," issued in connection with Canadian Patent Application No. 198026, dated Mar. 7, 2022, 9 pages.

* cited by examiner

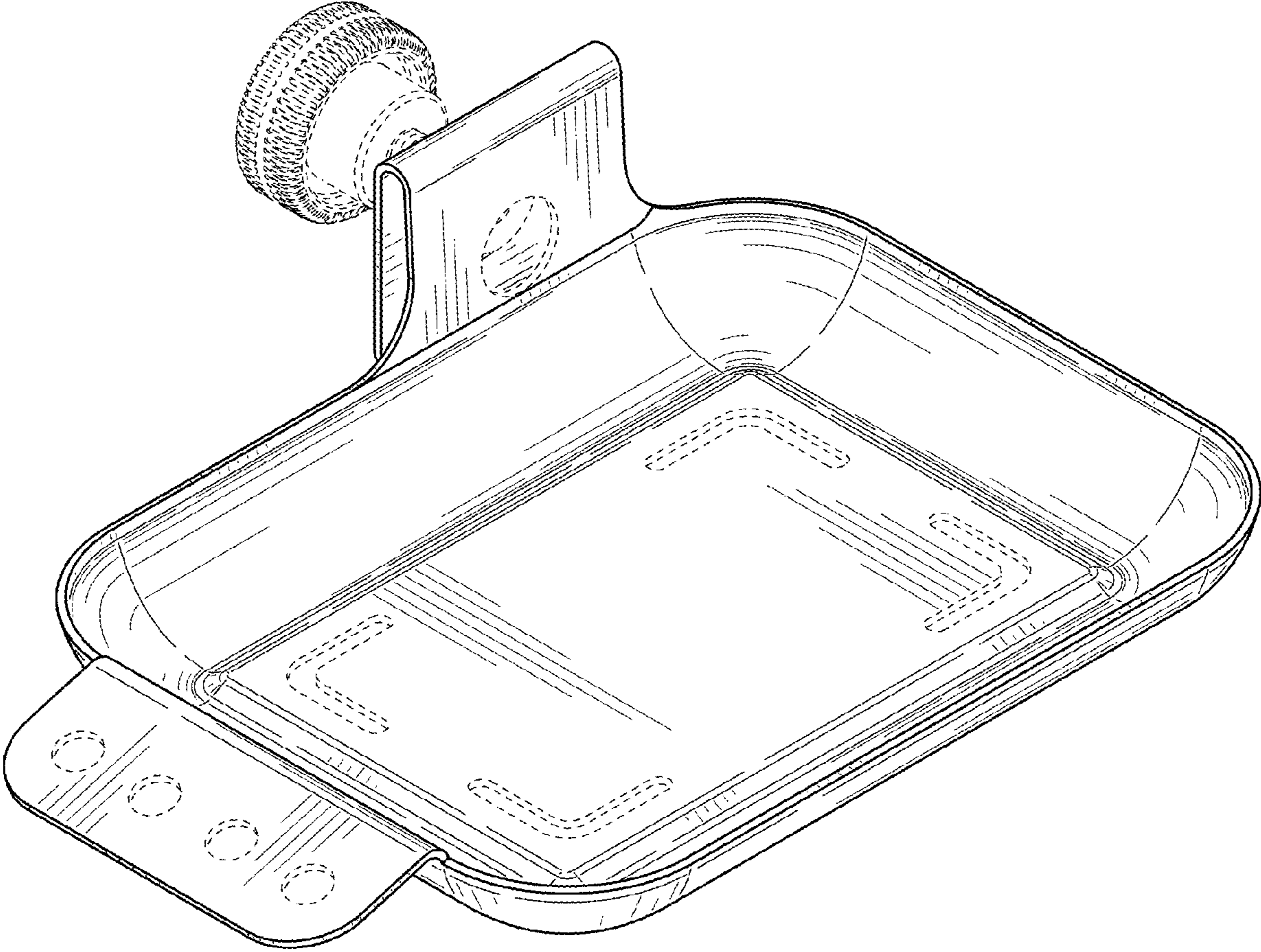


FIG. 1

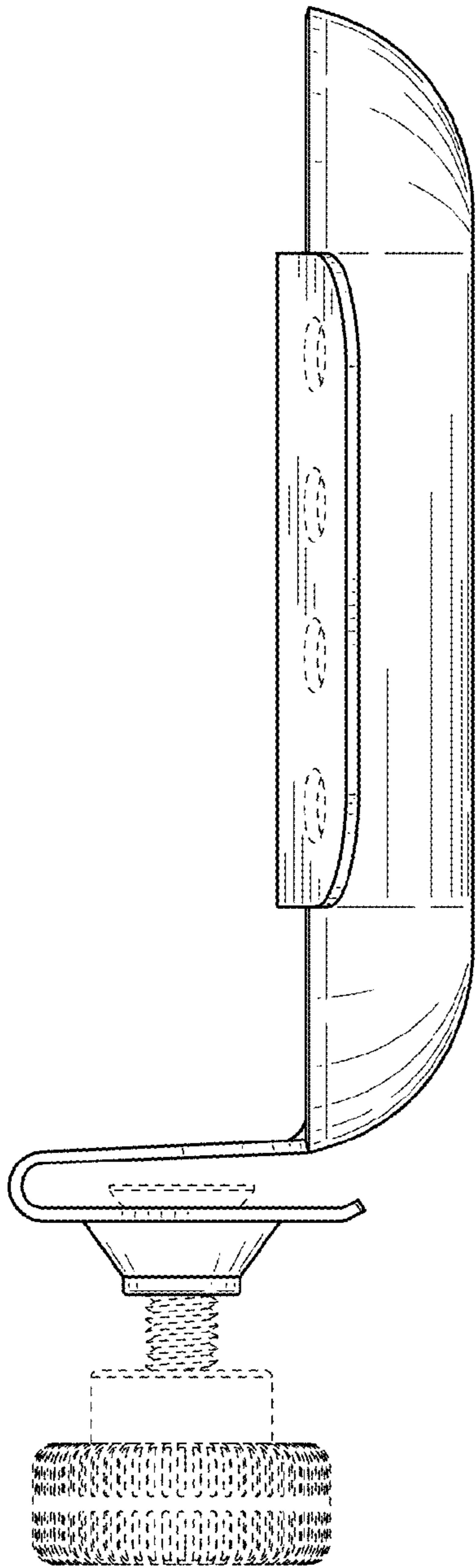


FIG. 2

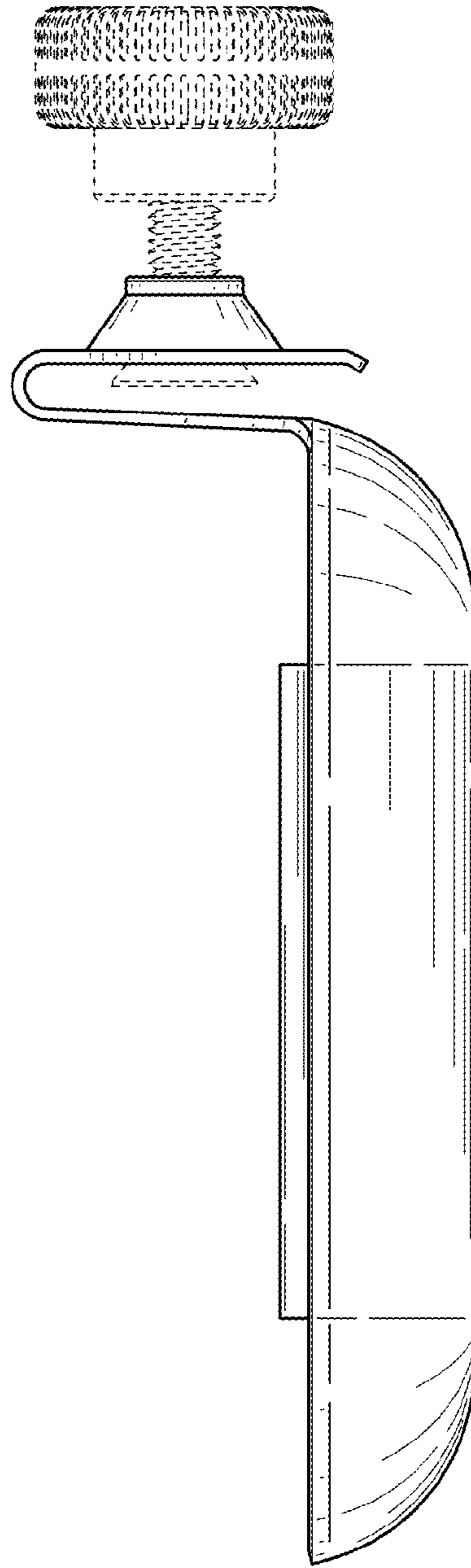


FIG. 3

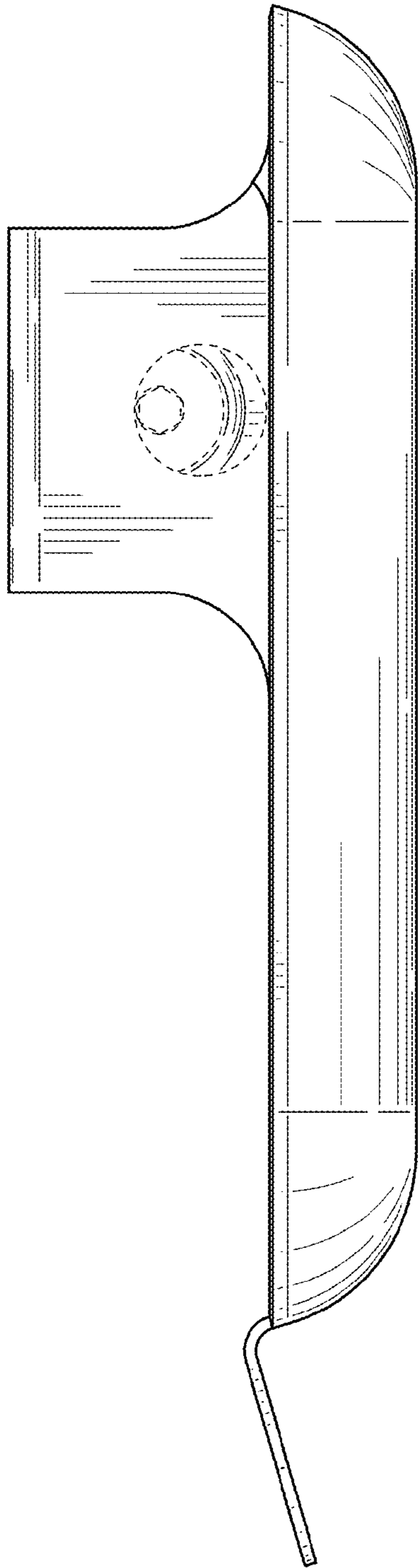


FIG. 4

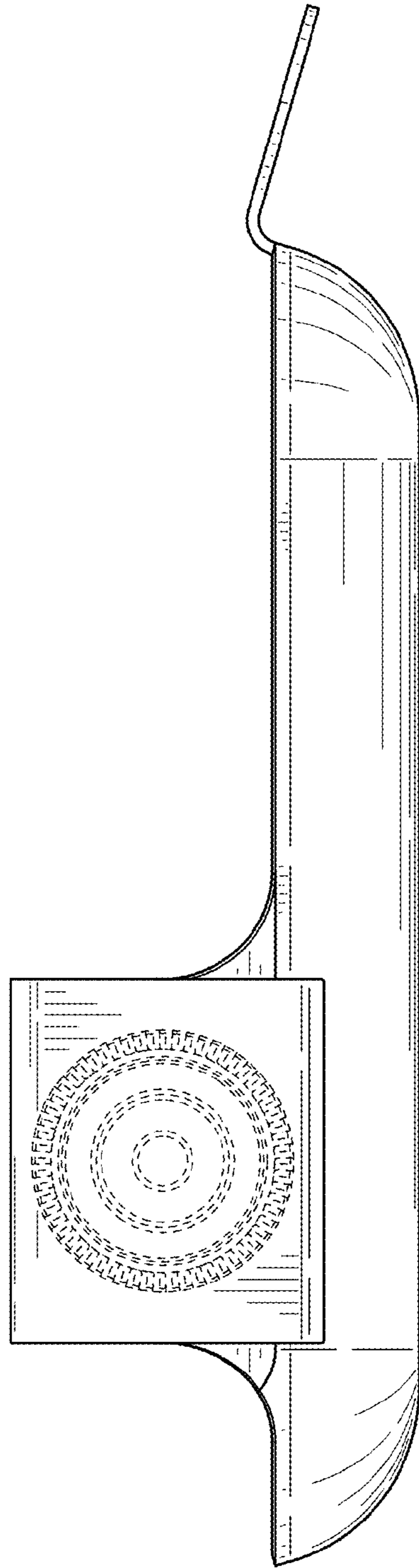


FIG. 5

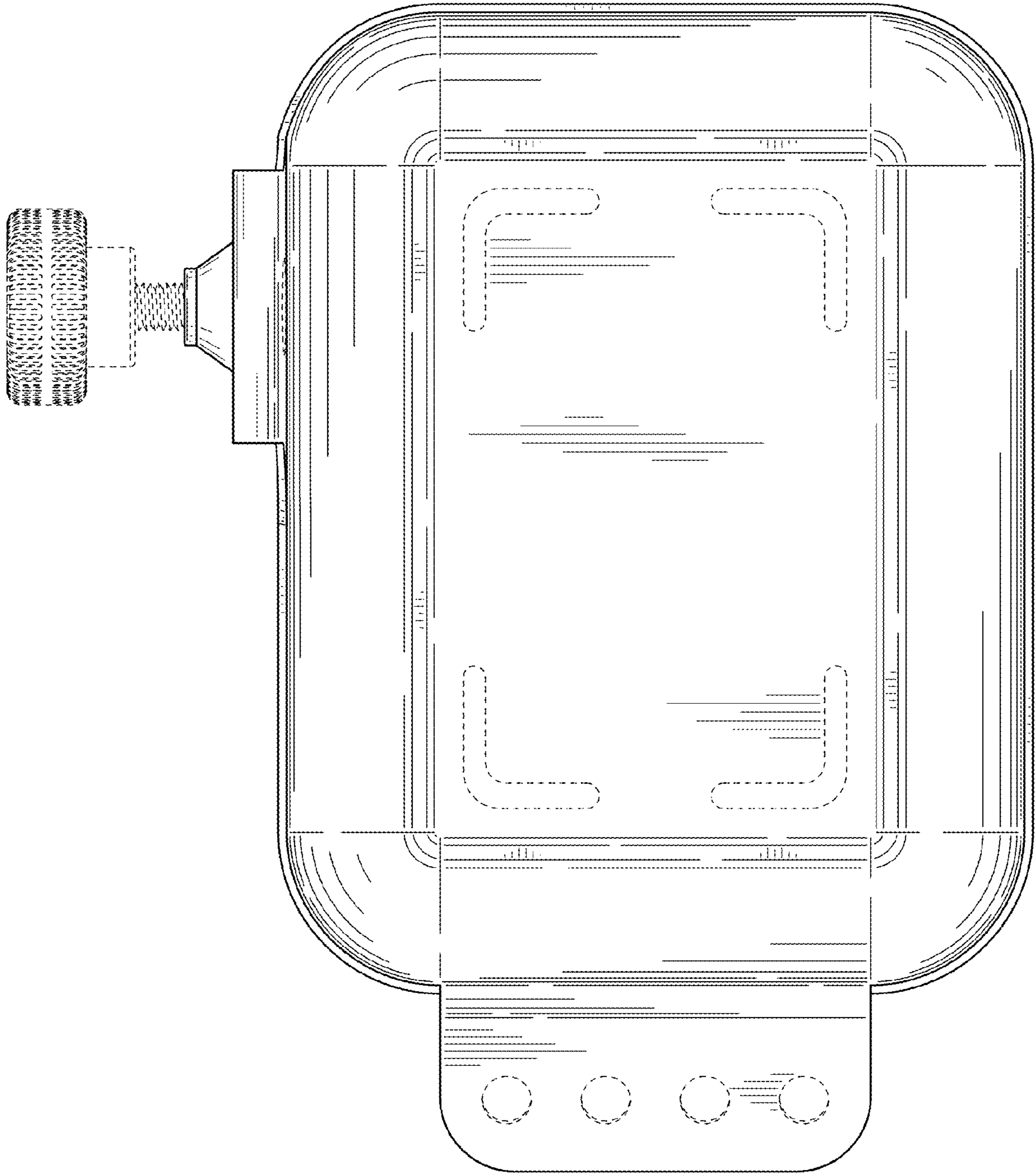


FIG. 6

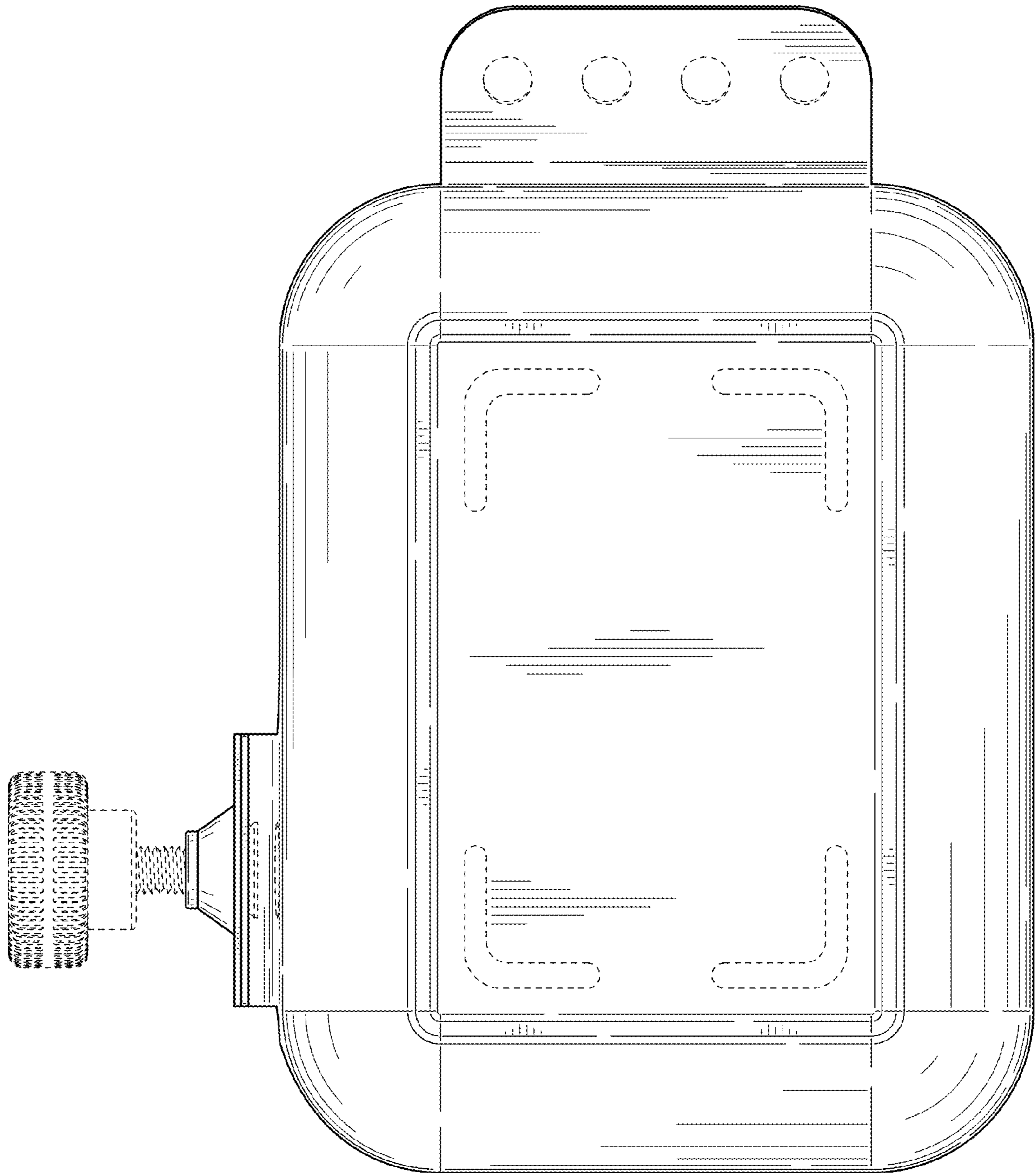


FIG. 7