



US00D959193S

(12) **United States Design Patent** (10) **Patent No.:** **US D959,193 S**
McVey et al. (45) **Date of Patent:** **** Aug. 2, 2022**

(54) **LID FOR COOKING POT**
(71) Applicant: **Weber-Stephen Products LLC**,
Palatine, IL (US)
(72) Inventors: **Cassandra A. S. McVey**, Wheeling, IL
(US); **Romualdo Sonny Siazon**,
Woodstock, IL (US)
(73) Assignee: **WEBER-STEPHEN PRODUCTS**
LLC, Palatine, IL (US)
(**) Term: **15 Years**
(21) Appl. No.: **29/743,061**
(22) Filed: **Jul. 17, 2020**
(51) **LOC (13) Cl.** **07-02**
(52) **U.S. Cl.**
USPC **D7/391**; D7/354
(58) **Field of Classification Search**
USPC D7/323, 354-363, 391, 392.1, 393-396,
D7/409, 545, 602, 629
CPC A47G 19/027; A47G 19/12; A47J 27/00;
A47J 27/002; A47J 27/08; A47J 27/13;
A47J 27/21; A47J 27/58; A47J 36/025;
A47J 36/027; A47J 36/06; A47J 36/12;
A47J 37/00; A47J 37/0704; A47J 37/10;
A47J 37/101; A47J 37/103; A47J 37/12;
A47J 37/1204; A47J 39/02; A47J 45/061;
A47J 45/071; A47J 45/08; H05B 6/12;
H05B 6/804; H05B 6/6494
See application file for complete search history.

D232,148 S 7/1974 Yarrington
D241,601 S 9/1976 Cook
D248,363 S 7/1978 Rinaldi
(Continued)

FOREIGN PATENT DOCUMENTS

CN 102697400 10/2012
CN 208808168 5/2019
(Continued)

OTHER PUBLICATIONS

International Searching Authority, "International Search Report and
Written Opinion," issued in connection with International Patent
Application No. PCT/US2020/047205, dated Apr. 2, 2021, 10
pages.

(Continued)

Primary Examiner — Ricky Pham

(74) *Attorney, Agent, or Firm* — Hanley, Flight &
Zimmerman, LLC

(57) **CLAIM**

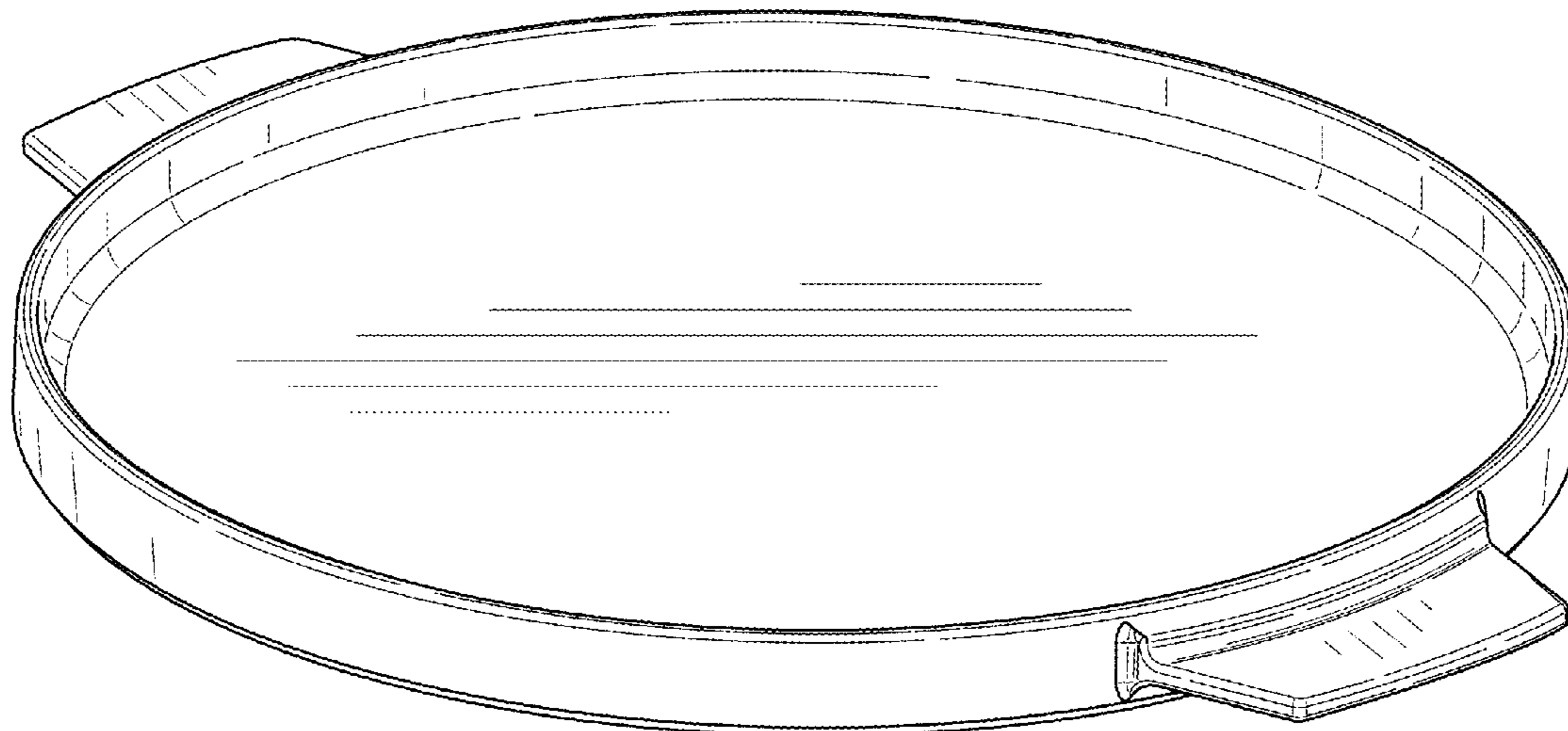
The ornamental design for a "lid for cooking pot", as shown
and described in FIGS. 1-7.

DESCRIPTION

FIG. 1 is a perspective view of a lid for a cooking pot.
FIG. 2 is a front view of the lid of FIG. 1.
FIG. 3 is a rear view of the lid of FIG. 1.
FIG. 4 is a right side view of the lid of FIG. 1.
FIG. 5 is a left side view of the lid of FIG. 1.
FIG. 6 is a top view of the lid of FIG. 1; and,
FIG. 7 is a bottom view of the lid of FIG. 1.
The features shown in broken lines form no part of the
claimed design.
The lighter solid lines denote surfaces and contours. Line
shading is not surface ornamentation.

1 Claim, 5 Drawing Sheets

(56) **References Cited**
U.S. PATENT DOCUMENTS
2,199,687 A 5/1940 Blankenship
D176,063 S 11/1955 Collura
3,164,285 A * 1/1965 Melich A47J 39/02
206/508
3,278,074 A * 10/1966 Yamazaki A47J 27/13
220/759
D221,096 S 7/1971 Tevolitz et al.



(56)

References Cited

U.S. PATENT DOCUMENTS

D254,355 S * 3/1980 Ottier D7/545
 D278,403 S 4/1985 Cesaroni
 4,666,727 A 5/1987 Wang
 5,004,882 A * 4/1991 Nottingham A47J 36/027
 219/732
 5,065,889 A * 11/1991 Conti A47G 19/027
 220/360
 D333,754 S * 3/1993 Conti D7/392.1
 D338,807 S * 8/1993 Conti D7/354
 5,490,452 A 2/1996 Schlosser et al.
 D373,285 S 9/1996 Coroama et al.
 D472,759 S 4/2003 Teisen-Simony et al.
 D507,718 S 7/2005 Kellermann et al.
 D558,513 S 1/2008 Scholze et al.
 D579,713 S 11/2008 Dodane
 D584,918 S 1/2009 Loring
 D587,066 S 2/2009 Loring
 D618,497 S 6/2010 Malaspino et al.
 D658,425 S 5/2012 Difante
 D686,450 S 7/2013 Yessin et al.
 D687,256 S 8/2013 Difante
 D704,501 S * 5/2014 Stubbe D7/354
 D708,021 S * 7/2014 Heiberg D7/630
 D708,470 S 7/2014 Heiberg et al.
 D708,910 S * 7/2014 Heiberg D7/630
 8,772,685 B2 * 7/2014 Backaert H05B 6/804
 219/688
 D716,603 S 11/2014 Kessin et al.
 D719,398 S 12/2014 Deters
 D722,814 S 2/2015 Heiberg et al.
 8,978,547 B2 3/2015 Salvino
 D730,112 S 5/2015 Yessin et al.
 D731,241 S 6/2015 Yessin et al.
 D732,886 S 6/2015 Heiberg et al.
 D738,161 S 9/2015 Yessin et al.
 D739,173 S 9/2015 Jalet et al.
 D754,469 S 4/2016 Deters
 D797,492 S 9/2017 Shieh
 D798,145 S 9/2017 Komai
 D805,835 S 12/2017 Yessin et al.
 D805,836 S 12/2017 Yessin et al.
 D807,116 S 1/2018 Fariello
 D871,129 S 12/2019 Peterson
 D871,139 S 12/2019 Peterson
 D877,556 S 3/2020 Saad
 D880,934 S 4/2020 Kellermann et al.
 D907,953 S 1/2021 Vallee
 D915,124 S 4/2021 Vallee
 D916,547 S 4/2021 Tehrani et al.
 D945,812 S * 3/2022 McVey D7/354
 2007/0131679 A1 * 6/2007 Edwards H05B 6/6494
 219/725

FOREIGN PATENT DOCUMENTS

CN 209058911 7/2019
 DE 102007054154 5/2009
 JP 2000166773 6/2000
 JP 1146792 7/2002
 JP 3179050 10/2012
 JP 1480096 9/2013
 JP 1480099 9/2013
 JP 1505664 8/2014
 JP 1601796 4/2018
 KR 3009831140000 11/2018
 KR 101945253 2/2019
 KR 3010022660000 4/2019
 KR 3010088390000 5/2019
 KR 3010598770000 5/2020
 TW 254609 8/1995

TW 140160 6/2001
 TW D174838 8/2015
 TW D185889 10/2017
 TW D201171 6/2018

OTHER PUBLICATIONS

Allbeli Multi-Dutch Oven, "Online Data Sheet," dated Apr. 1, 2014, Retrieved from the Internet [URL:https://cafe.naver.com/wecampstory/15267] on Mar. 18, 2021, 5 pages. (Translation not available).
 Taiwan Patent Office, "Allowance Decision of Examination," issued in connection with Taiwan Patent Application No. 110300041, dated May 11, 2021, 5 pages.
 China National Intellectual Property Administration, "Design Certificate," issued in connection with Chinese Design Patent No. ZL 202030531347.5, dated Jan. 29, 2021, 3 pages.
 IP Australia, "Certificate of Examination," issued in connection with Australian Patent Application No. 202014609, dated Mar. 8, 2021, 2 pages.
 IP Australia, "Certificate of Registration," issued in connection with Australian Patent Application No. 202014609, dated Nov. 9, 2020, 8 pages.
 China National Intellectual Property Administration, "Notice of Completion of Formalities for Patent Register," issued in connection with Chinese Patent Application No. 202030531347.5, dated Jan. 5, 2021, 4 pages.
 China National Intellectual Property Administration, "Design Certificate," issued in connection with Chinese Design Patent No. ZL 202030531343.7, dated Feb. 5, 2021, 3 pages.
 Taiwan Patent Office, "Office Action," issued in connection with Taiwan Patent Application No. 110300040, dated May 26, 2021, 6 pages.
 European Union Intellectual Property Office, "Certificate of Registration No. 008166938-0001," issued on Sep. 12, 2020, 4 pages.
 P Australia, "Certificate of Examination," issued in connection with Australian Patent Application No. 202014608, dated Mar. 8, 2021, 2 pages.
 China National Intellectual Property Administration, "Notice of Decision of Grant of Patent," issued in connection with Chinese Patent Application No. 202030531343.7, dated Jan. 6, 2021, 4 pages.
 IP Australia, "Certificate of Registration," issued in connection with Australian Patent Application No. 202014608, dated Nov. 9, 2020, 8 pages.
 United States Patent and Trademark Office, "Notice of Allowance and Fee(s) Due," issued in connection with U.S. Appl. No. 29/743,060, dated Sep. 3, 2021, 6 pages.
 Taiwan Patent Office, "Allowance Decision of Examination," issued in connection with Taiwan Patent Application No. 110300040, dated Aug. 3, 2021, 3 pages.
 Taiwan Patent Office, "Office Action and Search Report," issued in connection with Taiwan Patent Application No. 110100623, dated Sep. 22, 2021, 13 pages.
 Taiwan Patent Office, "Allowance Decision of Examination," issued in connection with Taiwan Patent Application No. 110100623, dated Nov. 9, 2021, 3 pages.
 United States Patent and Trademark Office, "Notice of Allowance and Fee(s) Due," issued in connection with U.S. Appl. No. 29/743,060, dated Oct. 27, 2021, 5 pages.
 United States Patent and Trademark Office, "Notice of Allowance and Fee(s) Due," issued in connection with U.S. Appl. No. 29/743,060, dated Jan. 26, 2022, 5 pages.
 Canadian Intellectual Property Office, "Notice of Registration," issued in connection with Canadian Patent Application No. 198064, dated Feb. 11, 2022, 9 pages.
 Canadian Intellectual Property Office, "Notice of Registration," issued in connection with Canadian Patent Application No. 198065, dated Feb. 11, 2022, 9 pages.

* cited by examiner

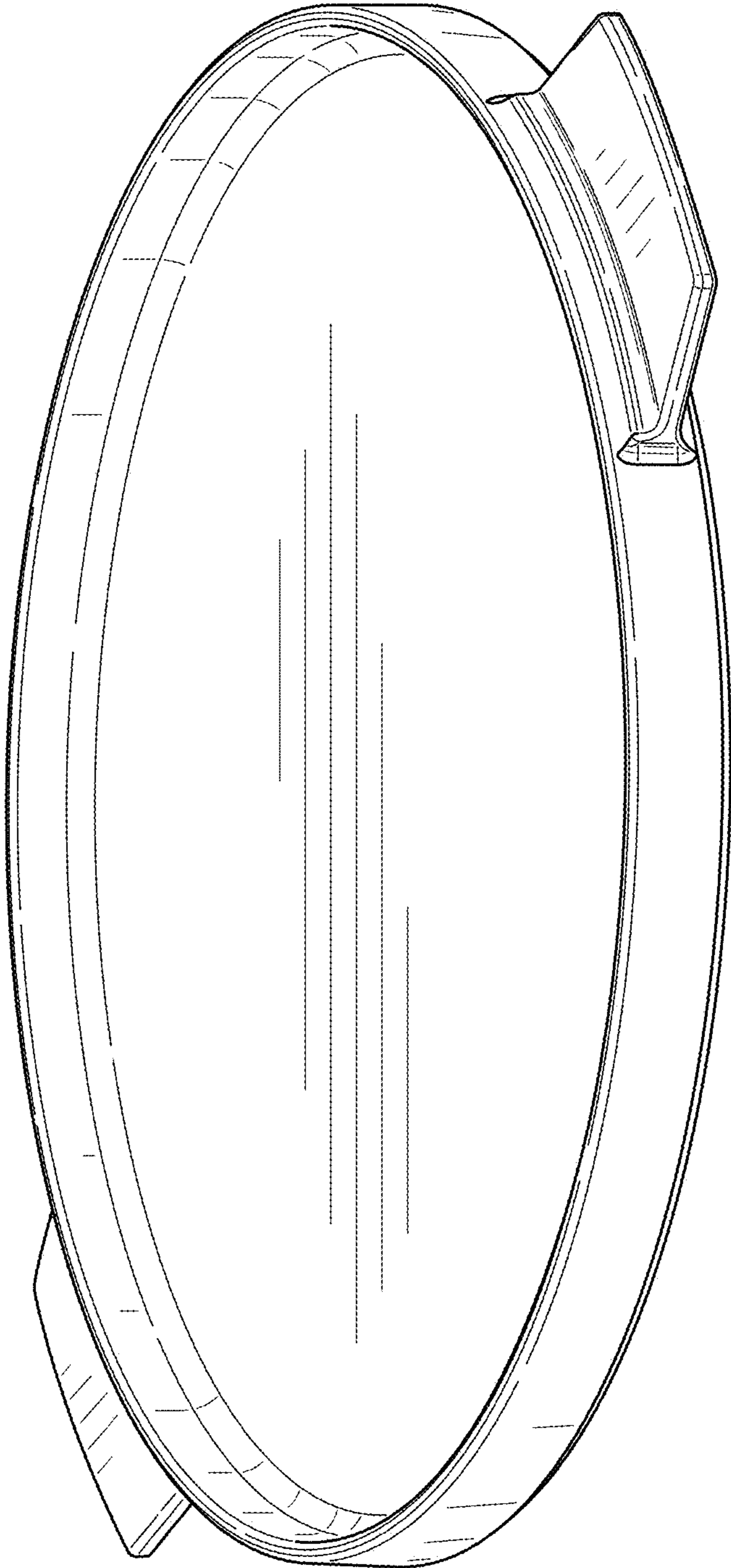


FIG. 1

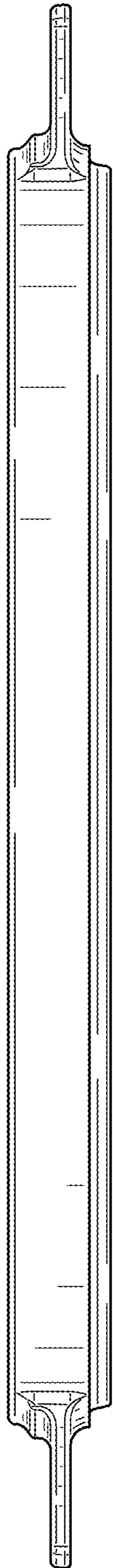


FIG. 2

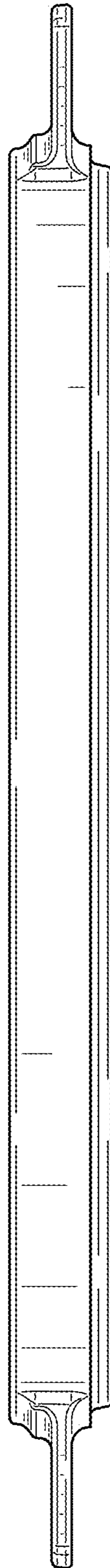


FIG. 3

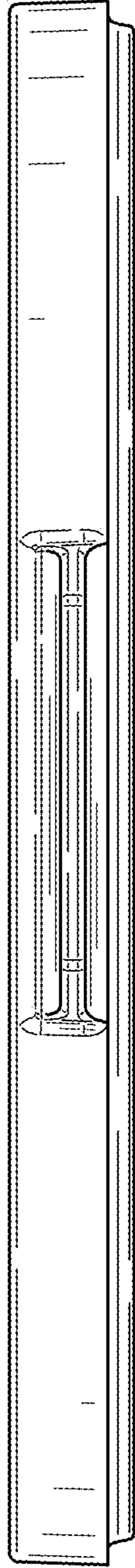


FIG. 4

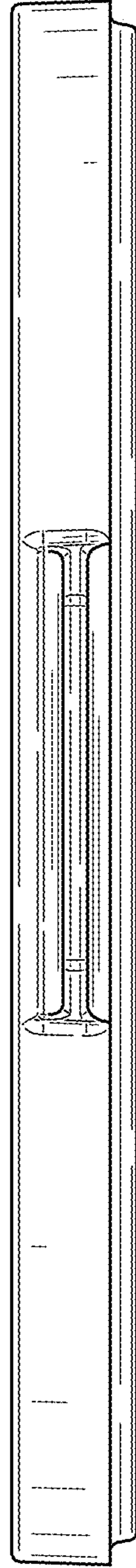


FIG. 5

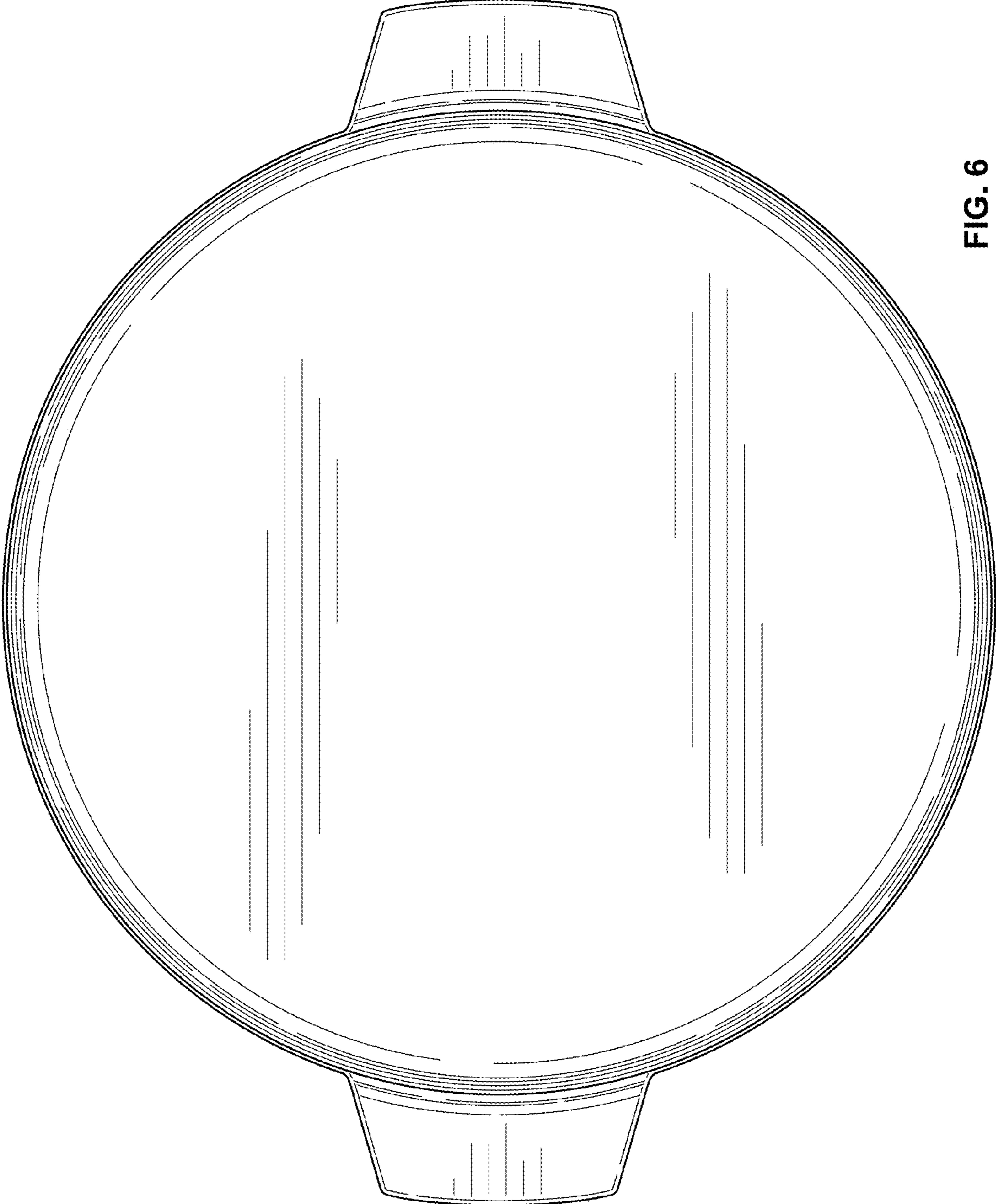


FIG. 6

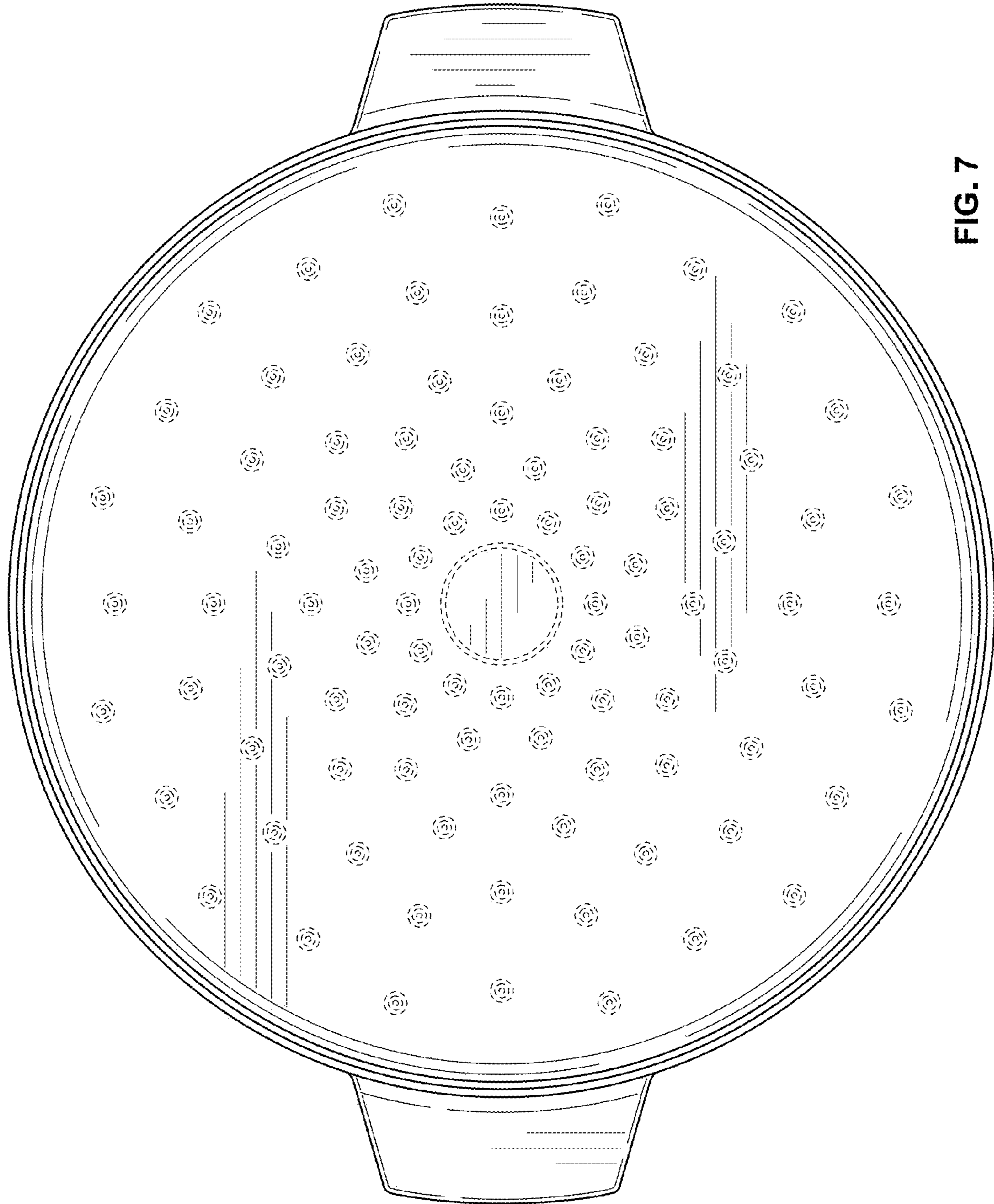


FIG. 7