



US00D959191S

(12) **United States Design Patent** (10) **Patent No.:** **US D959,191 S**
Nitlich (45) **Date of Patent:** **** Aug. 2, 2022**

(54) **BOWL**

D879,546 S * 3/2020 Hollinger D7/361
D917,222 S * 4/2021 Caswell A47J 36/16

(71) Applicant: **BEABA**, Paris (FR)

2018/0092487 A1* 4/2018 Caswell A47J 29/02

(72) Inventor: **Eric David Nitlich**, Paris (FR)

* cited by examiner

(**) Term: **15 Years**

Primary Examiner — Khawaja Anwar

(21) Appl. No.: **35/509,905**

(22) Filed: **Mar. 22, 2019**

(57) **CLAIM**

(80) **Hague Agreement Data**

The ornamental design for bowl, as shown and described.

Int. Filing Date: **Mar. 22, 2019**

Int. Reg. No.: **DM/209236**

Int. Reg. Date: **Mar. 22, 2019**

Int. Reg. Pub. Date: **Jul. 24, 2020**

DESCRIPTION

(51) **LOC (13) Cl.** **07-02**

(52) **U.S. Cl.**
USPC **D7/361**

(58) **Field of Classification Search**
USPC D7/323, 354–363, 391, 393, 394, 395,
D7/396

CPC A47J 37/0704; A47J 37/0713; A47J
37/0786; A47J 47/005

See application file for complete search history.

- 1. Bowl
- 1.1: Front
- 1.2: Back
- 1.3: Top
- 1.4: Bottom
- 1.5: Right
- 1.6: Left
- 1.7: Perspective

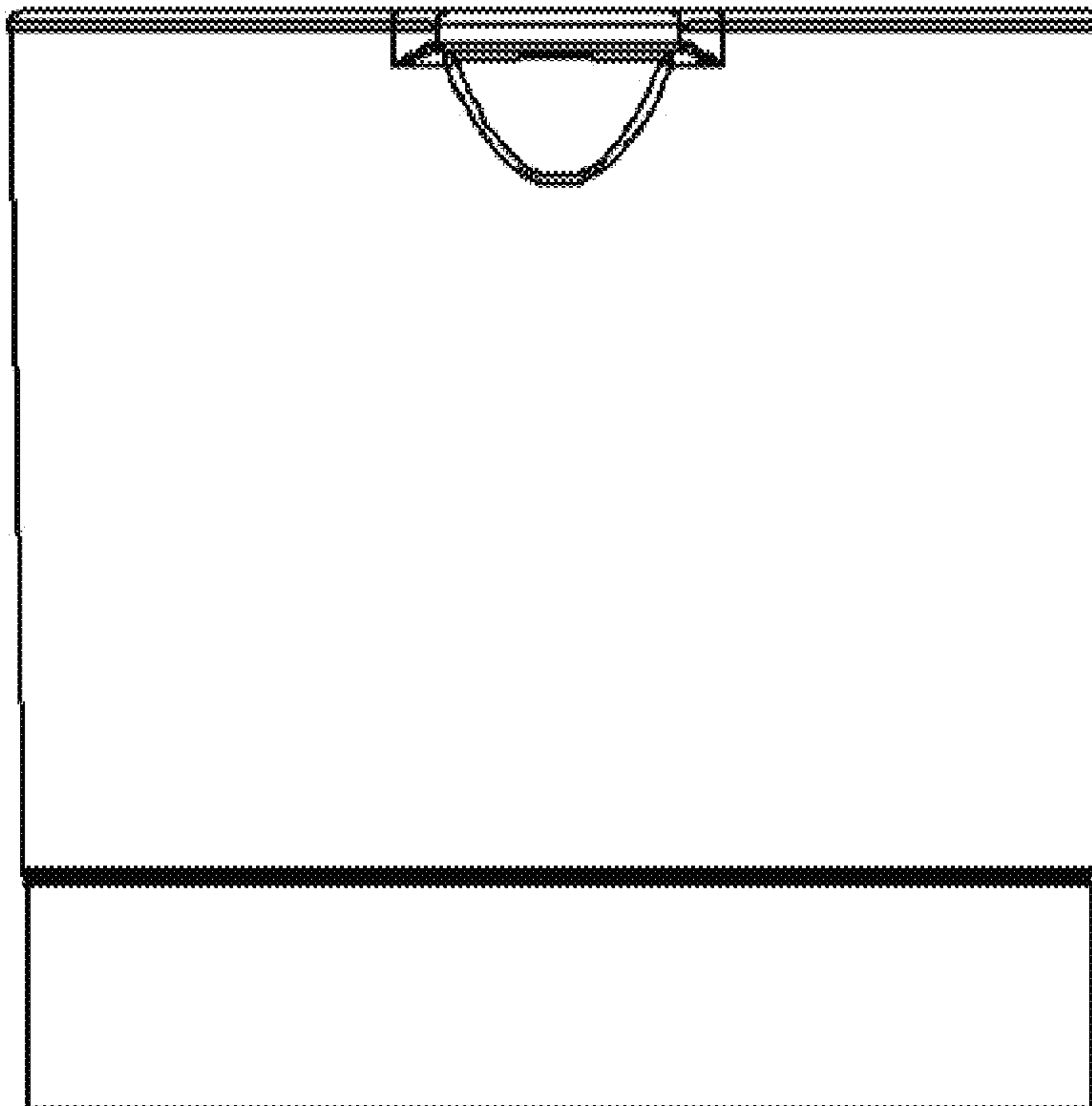
The broken lines depict parts of the bowl that form no part of the claimed design.

(56) **References Cited**

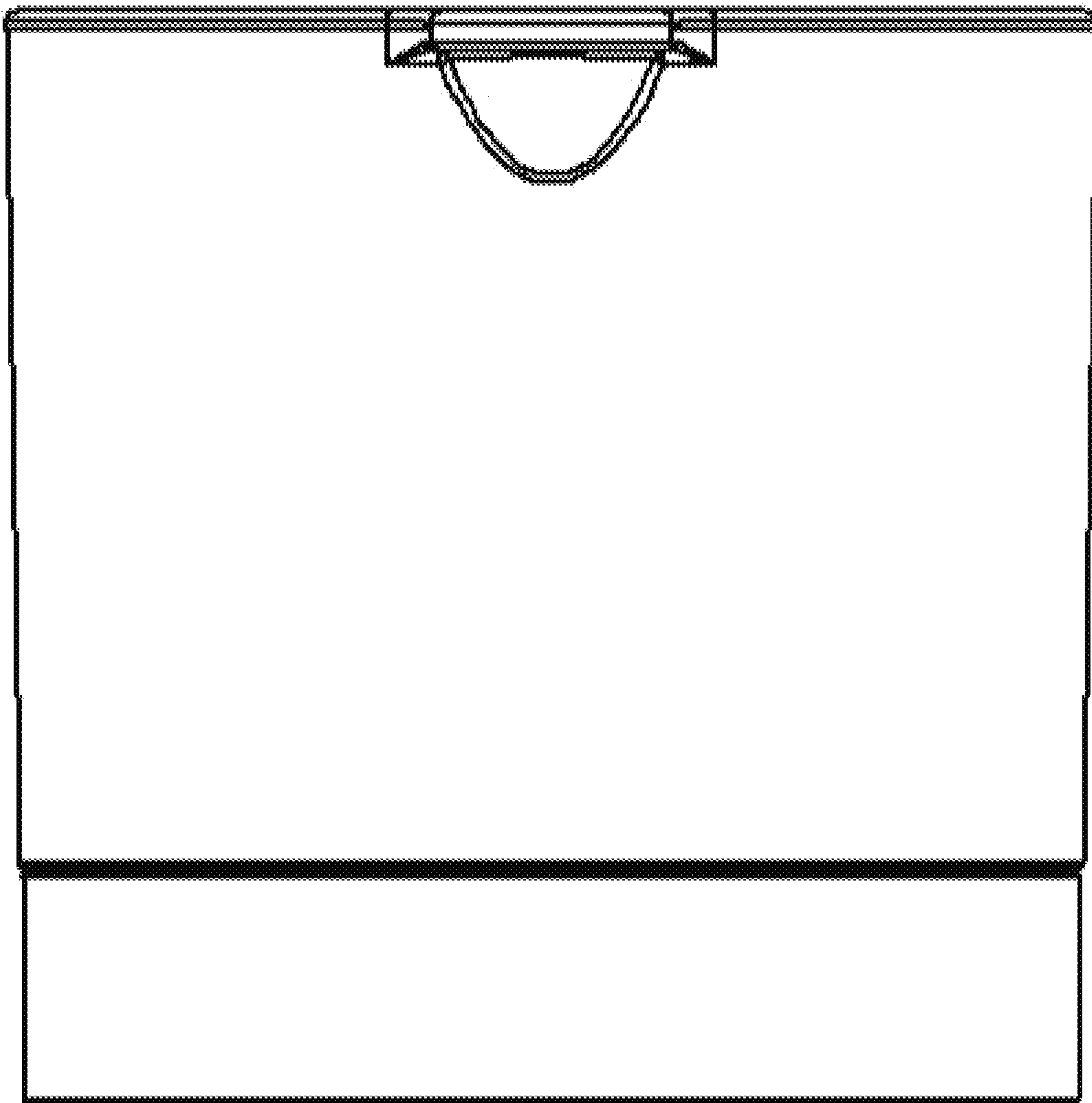
U.S. PATENT DOCUMENTS

D848,199 S * 5/2019 Kowalewski D7/354
D848,200 S * 5/2019 Kowalewski D7/354
D876,881 S * 3/2020 Mattei D7/361

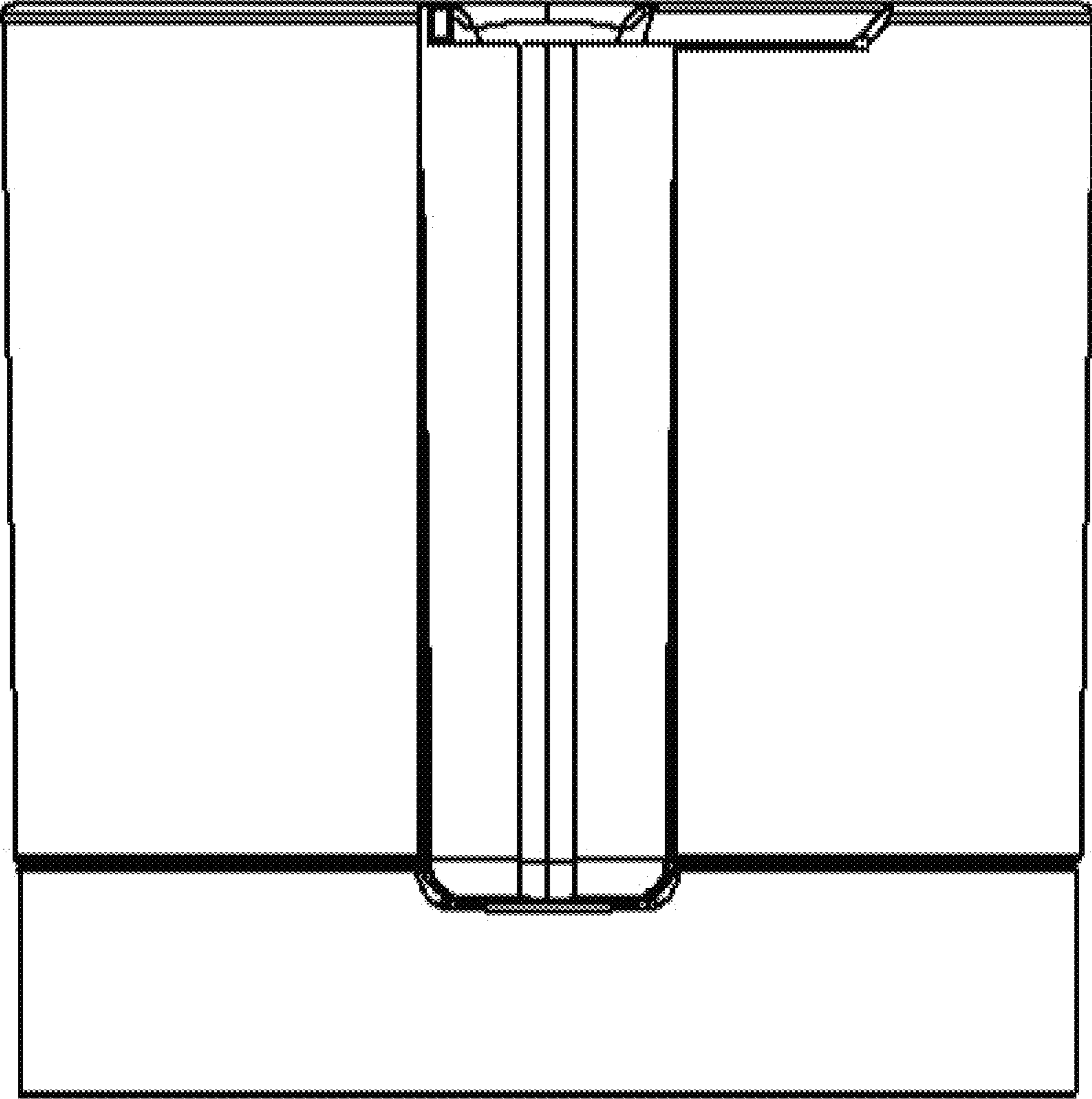
1 Claim, 7 Drawing Sheets



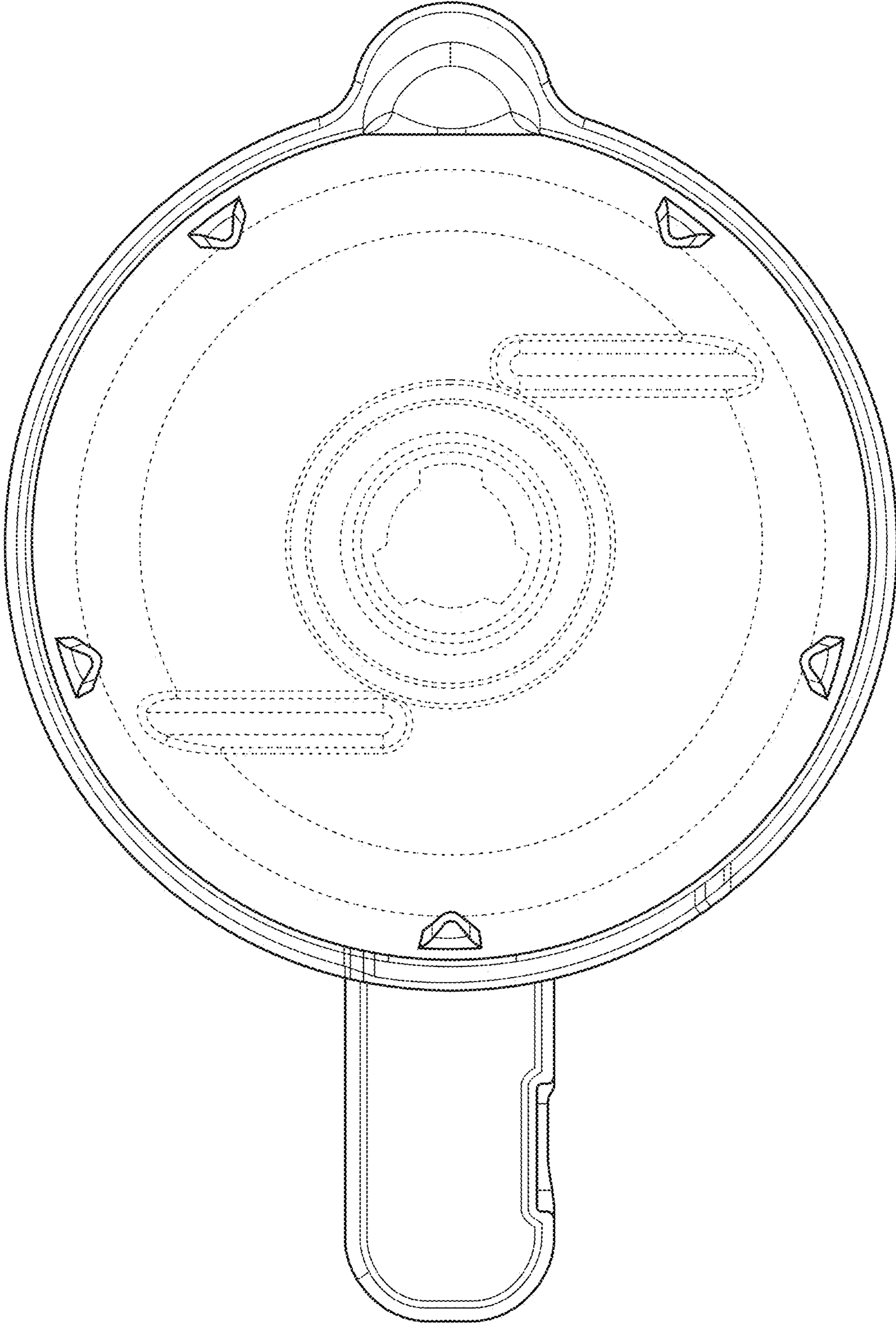
1.1



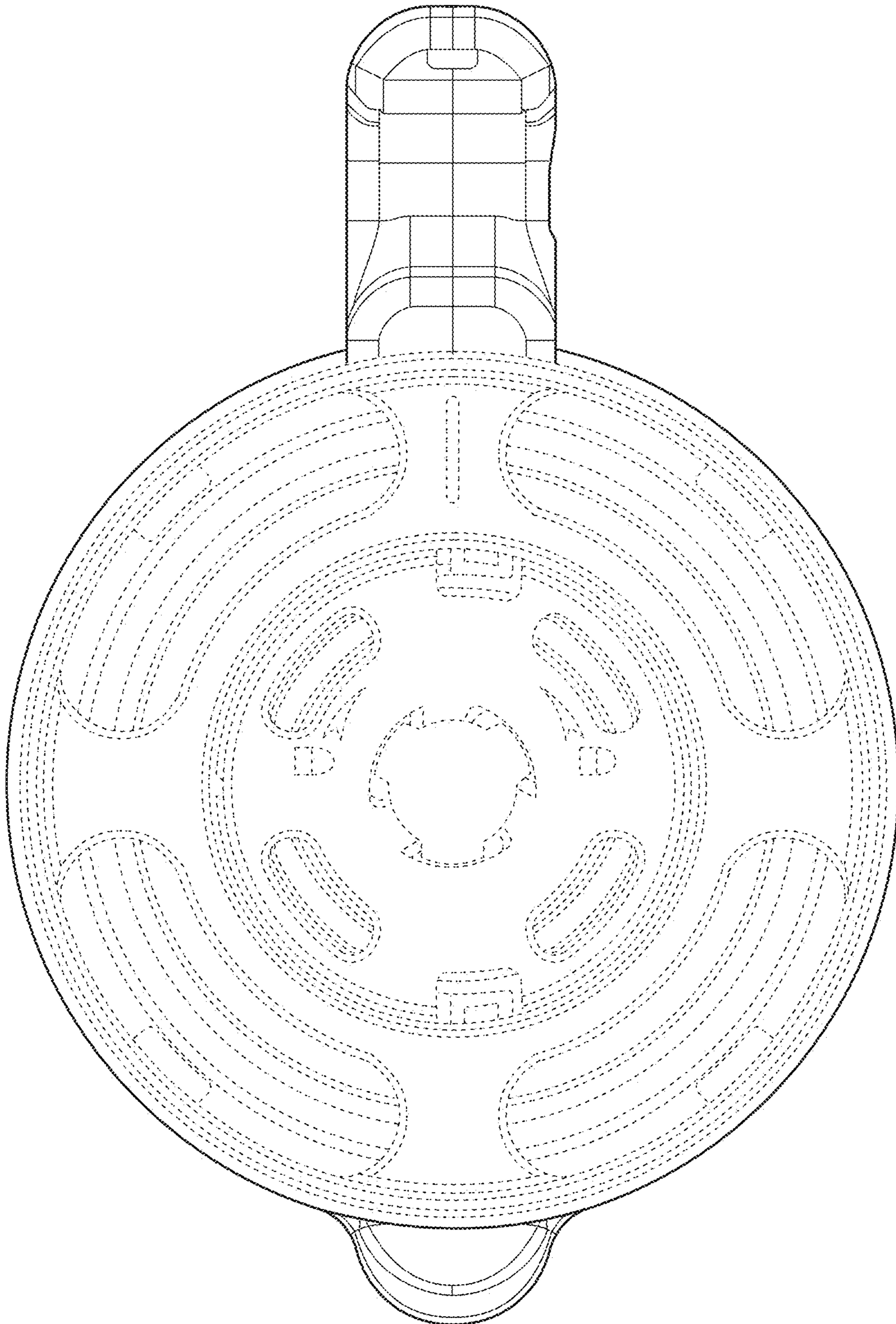
1.2



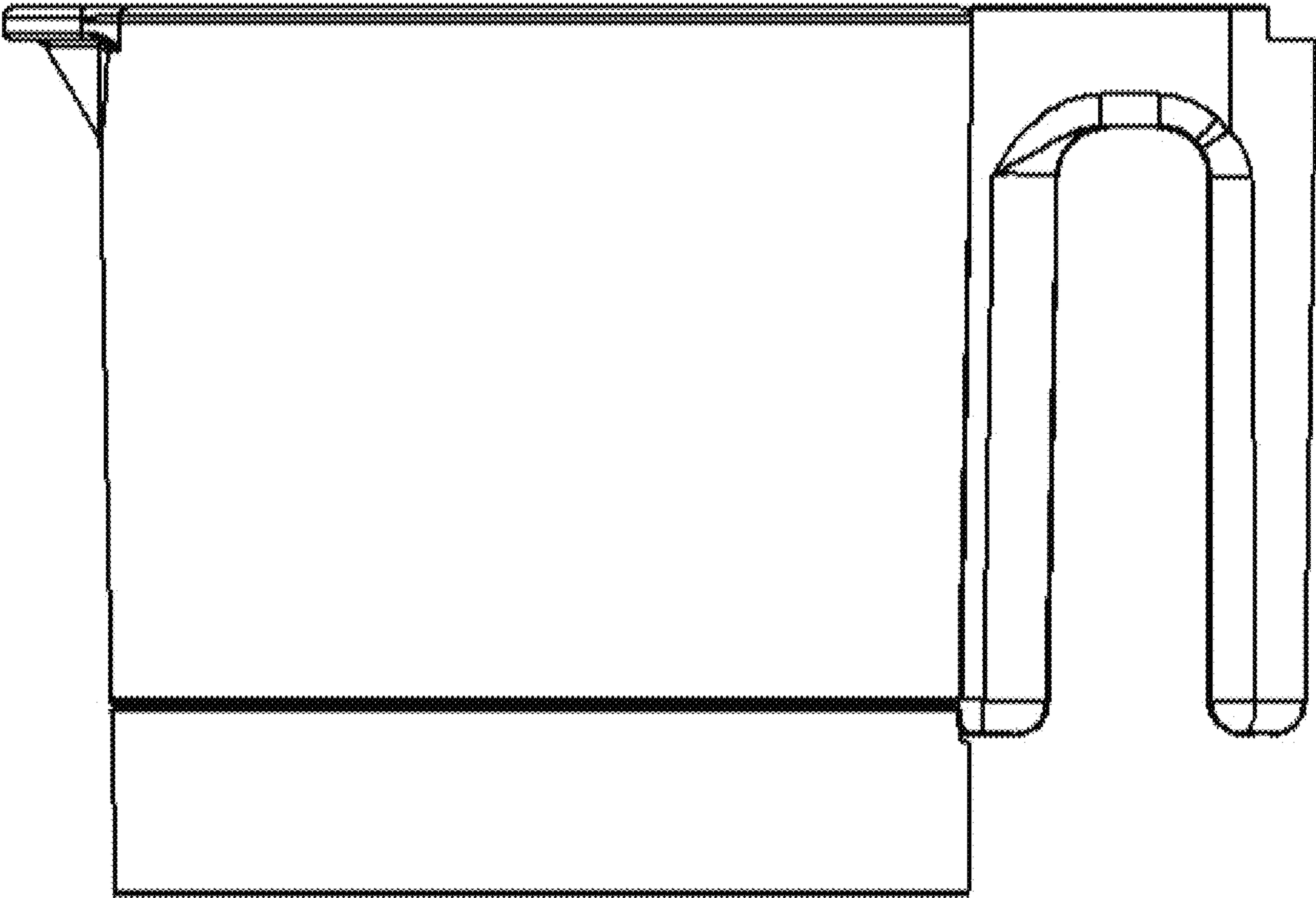
1.3



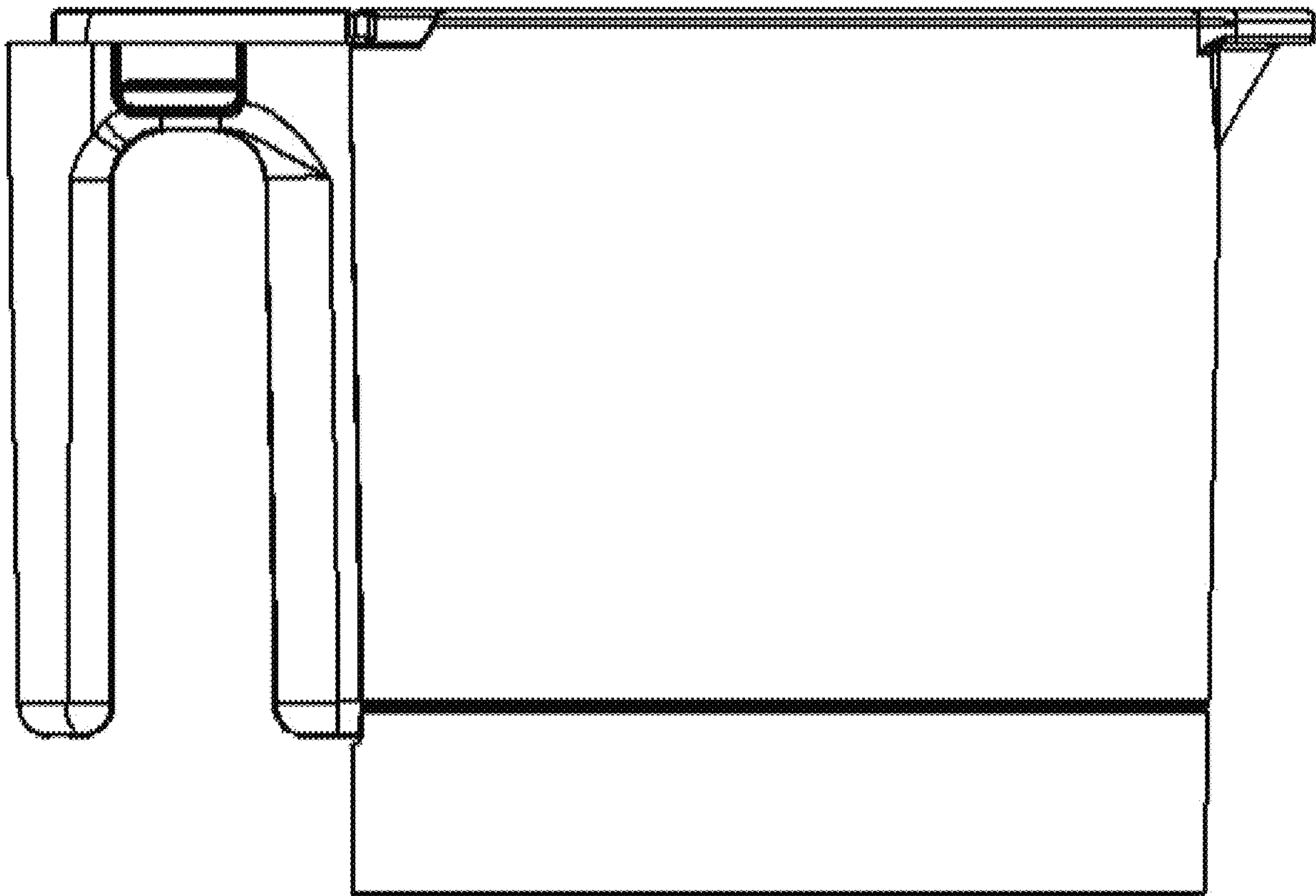
1.4



1.5



1.6



1.7

