



US00D959190S

(12) **United States Design Patent**
Liu et al.

(10) **Patent No.:** **US D959,190 S**
(45) **Date of Patent:** **** Aug. 2, 2022**

(54) **BREAD MACHINE**

(71) Applicant: **Jiangmen Kangbaishi Electrical Appliances Co., Ltd.**, Guangdong (CN)

(72) Inventors: **Feng Liu**, Guangdong (CN); **Yongjian Chen**, Guangdong (CN)

(73) Assignee: **Jiangmen Kangbaishi Electrical Appliances Co., Ltd.**, Jiangmen (CN)

(**) Term: **15 Years**

(21) Appl. No.: **29/751,109**

(22) Filed: **Sep. 18, 2020**

(30) **Foreign Application Priority Data**

Jul. 20, 2020 (CN) 202030392928.5

(51) **LOC (13) Cl.** **07-02**

(52) **U.S. Cl.**
USPC **D7/350.2**

(58) **Field of Classification Search**
USPC D7/323, 330, 347, 348, 350.1, 350.2, D7/350.3, 350.4, 351, 366, 402, 405, 406; D14/314, 349, 351, 352; D15/199; D18/50

CPC A21B 1/00; A21B 1/24; A21B 1/33; A21B 1/36; A21B 1/52; A21B 3/00; A21B 3/133; A21B 5/00; A21B 7/00; A21B 7/005; A21C 1/00; A21C 1/12; A21C 1/146; A21C 3/00; A21C 3/04; A21C 14/00; A21D 8/06; A21D 10/002; A21D 6/00; A47J 36/022; A47J 37/0623; A47J 37/0629; F24C 15/008

See application file for complete search history.

(56) **References Cited**

U.S. PATENT DOCUMENTS

D310,615 S * 9/1990 Kitai D7/350.2
D311,848 S * 11/1990 Mikami D7/350.2

D354,195 S * 1/1995 Kaneko D7/350.2
D358,291 S * 5/1995 Lee D7/350.2
D365,722 S * 1/1996 Duquaine D7/350.2
D366,389 S * 1/1996 Inoue D7/350.2
D388,656 S * 1/1998 Ikegami D7/350.2
5,947,005 A * 9/1999 Sit A21B 7/005
99/335

(Continued)

FOREIGN PATENT DOCUMENTS

CN 030984572 * 12/2016

OTHER PUBLICATIONS

Cuisinart Bread Maker, posted at Amazon.com on Aug. 24, 2017, [site visited Apr. 28, 2022]. Available from internet, URL: <https://www.amazon.com/dp/B001C2KY7Y/> (Year: 2017).*

(Continued)

Primary Examiner — Andrew Kerr

Assistant Examiner — Chariton Alexakis

(74) *Attorney, Agent, or Firm* — Westbridge IP LLC

(57) **CLAIM**

The ornamental design for a bread machine, as shown and described.

DESCRIPTION

FIG. 1 is a front perspective view of a bread machine showing our new design;

FIG. 2 is a rear perspective view thereof;

FIG. 3 is a front elevational view thereof;

FIG. 4 is a rear elevational view thereof;

FIG. 5 is a left-side elevational view thereof;

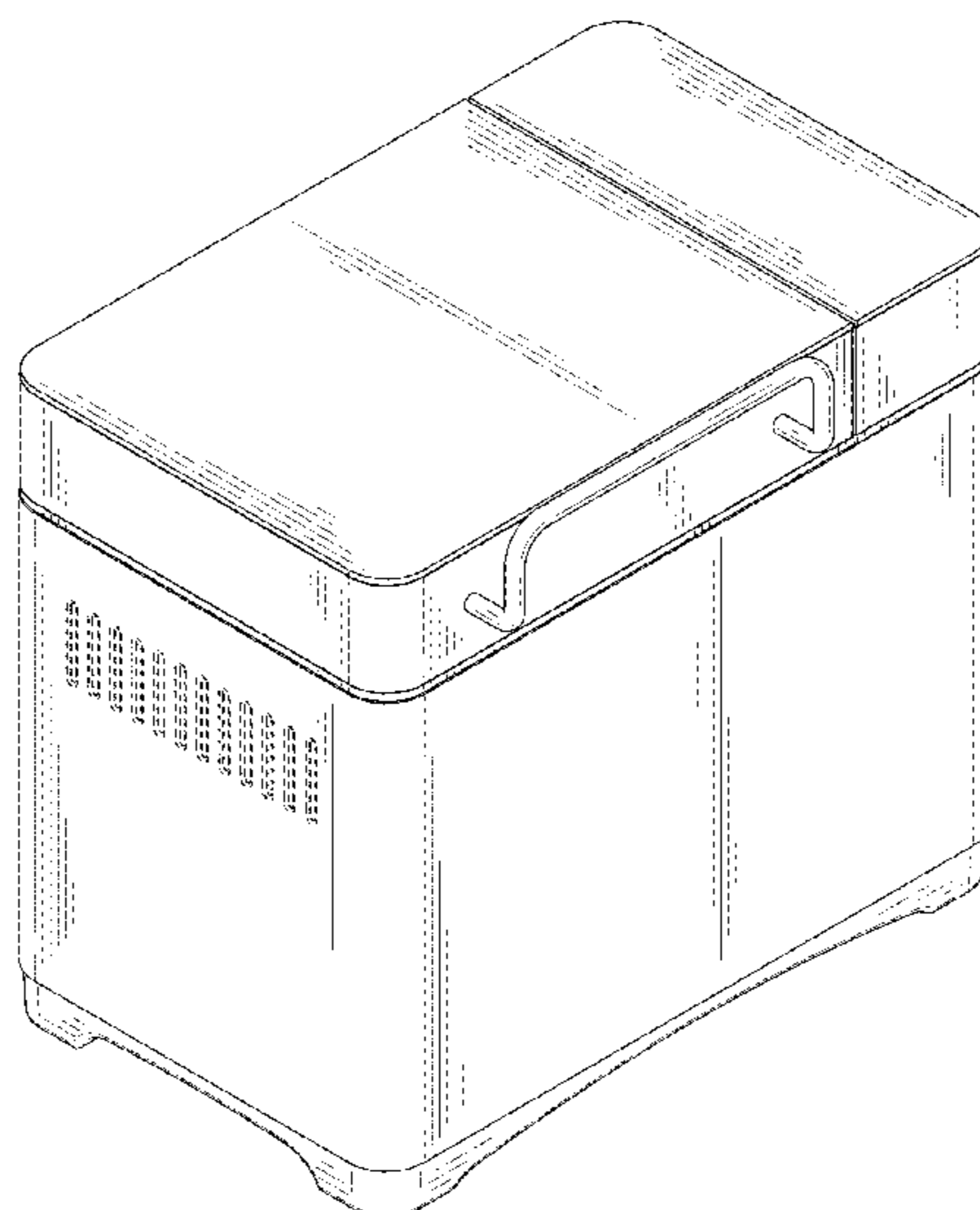
FIG. 6 is a right-side elevational view thereof;

FIG. 7 is a top plan view thereof; and,

FIG. 8 is a bottom plan view thereof.

The broken lines in the drawings illustrate the portions of the bread machine which form no part of the claimed design.

1 Claim, 8 Drawing Sheets



(56)

References Cited

U.S. PATENT DOCUMENTS

D522,799 S * 6/2006 Kassenaar D7/350.2
D589,293 S * 3/2009 Averty D7/350.2
D658,929 S * 5/2012 Harrod A21B 7/005
D7/350.2
D665,619 S * 8/2012 Mercier D7/354
D732,587 S * 6/2015 Hsu D15/122
D777,228 S * 1/2017 Chang D15/135
D790,905 S * 7/2017 Sajjad D7/339
D842,711 S * 3/2019 Katayama D10/49
D895,608 S * 9/2020 Akana D14/314
2013/0000493 A1* 1/2013 Watanabe A21B 7/005
99/426

OTHER PUBLICATIONS

KBS Bread Machine, posted at Amazon.com on Jun. 18, 2018, [site visited Apr. 25, 2022]. Available from internet, URL: <<https://www.amazon.com/KBS-Automatic-Dispenser-Programmable-Stainless/dp/B07BYXHLY/>> (Year: 2018).*

KBS Bread Maker with Dual Heaters, posted at Amazon.com on Oct. 29, 2019, [site visited Apr. 28, 2022]. Available from internet, URL: <<https://www.amazon.com/dp/B07ZQ711SW/>> (Year: 2019).*

NYKK Toaster Household Bread Machine, posted at Amazon.com on Jun. 11, 2020, [site visited Apr. 28, 2022]. Available from internet, URL: <<https://www.amazon.com/dp/B08B163QHY/>> (Year: 2020).*

* cited by examiner

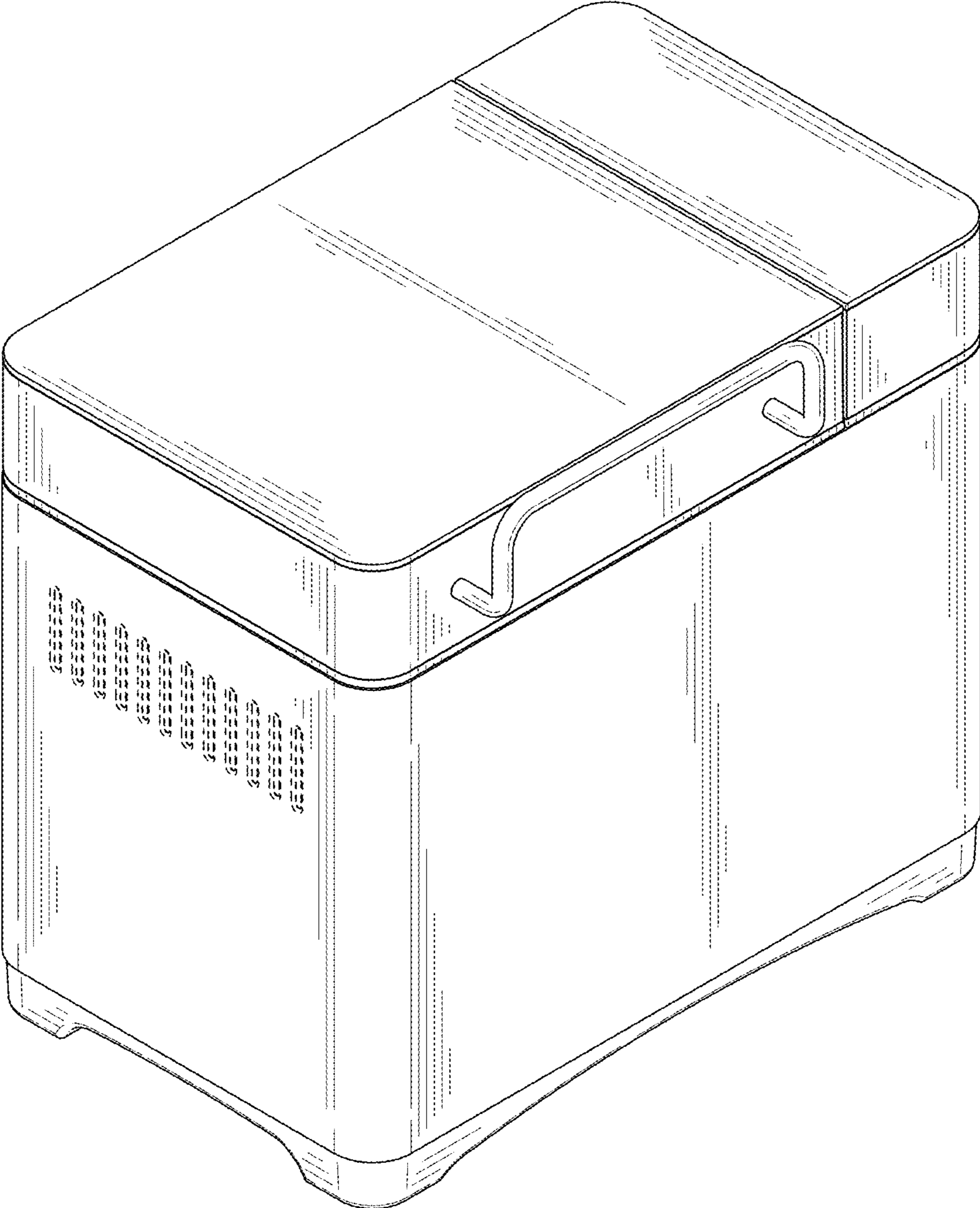


FIG. 1

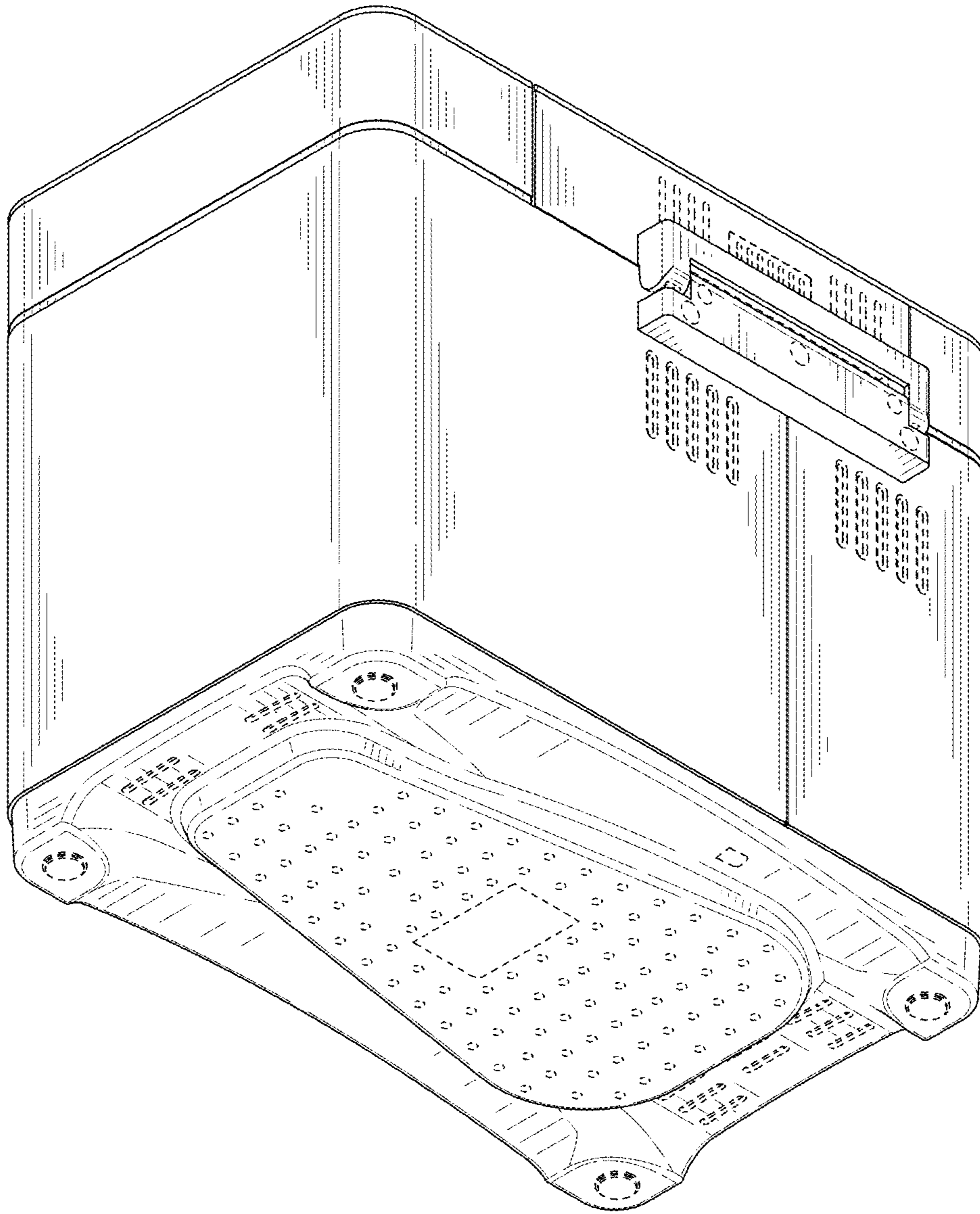


FIG. 2

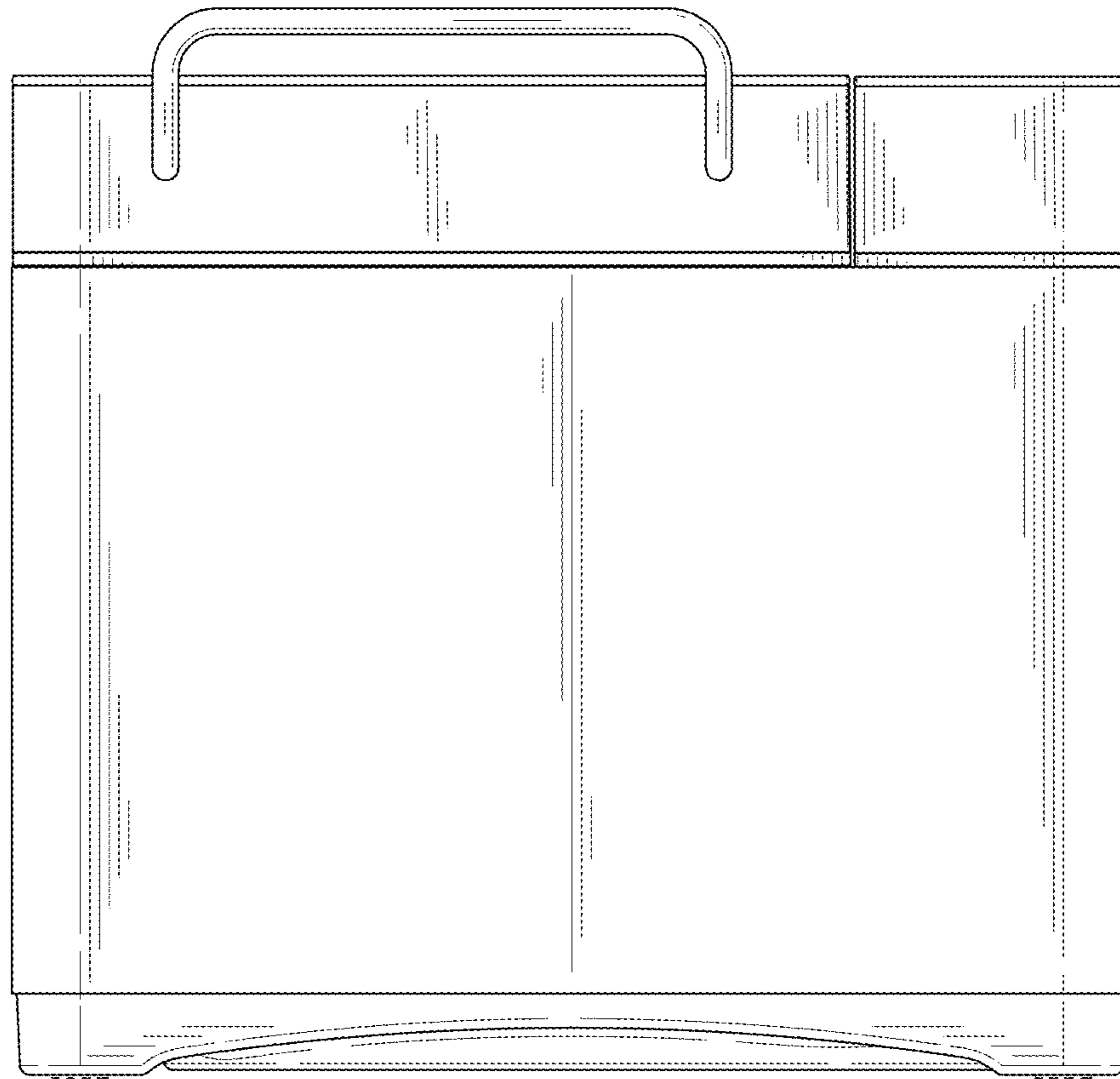


FIG. 3

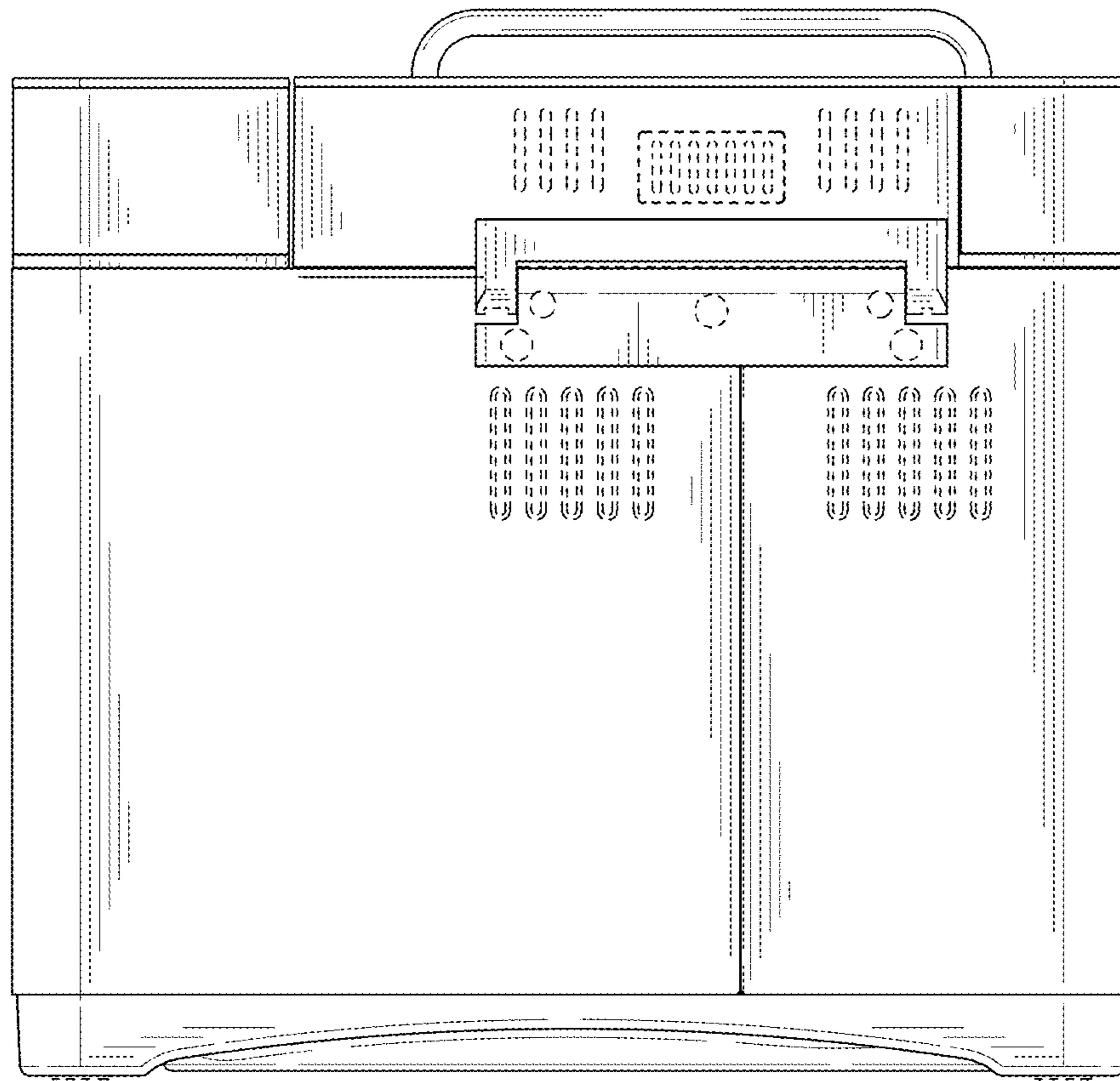


FIG. 4

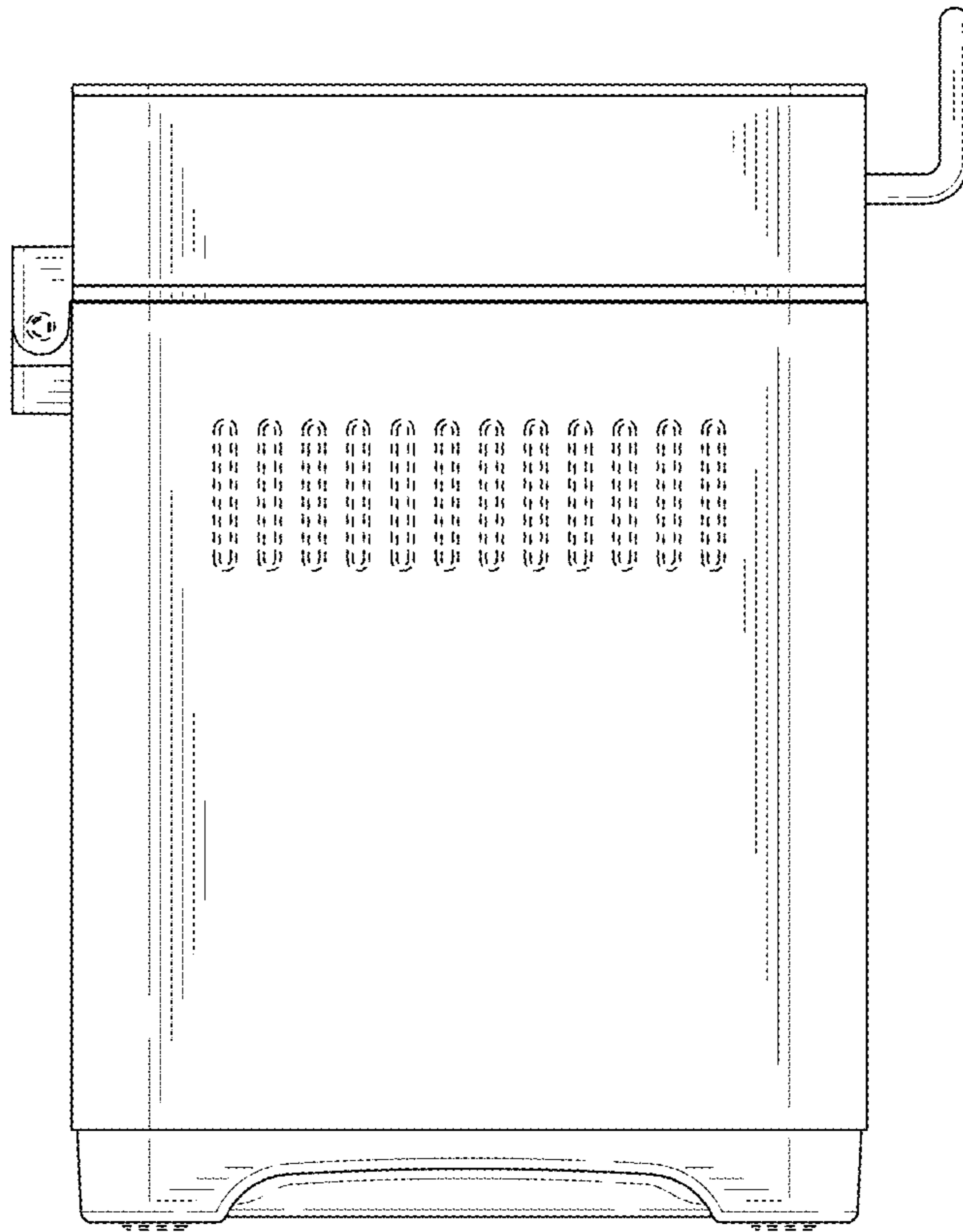


FIG. 5

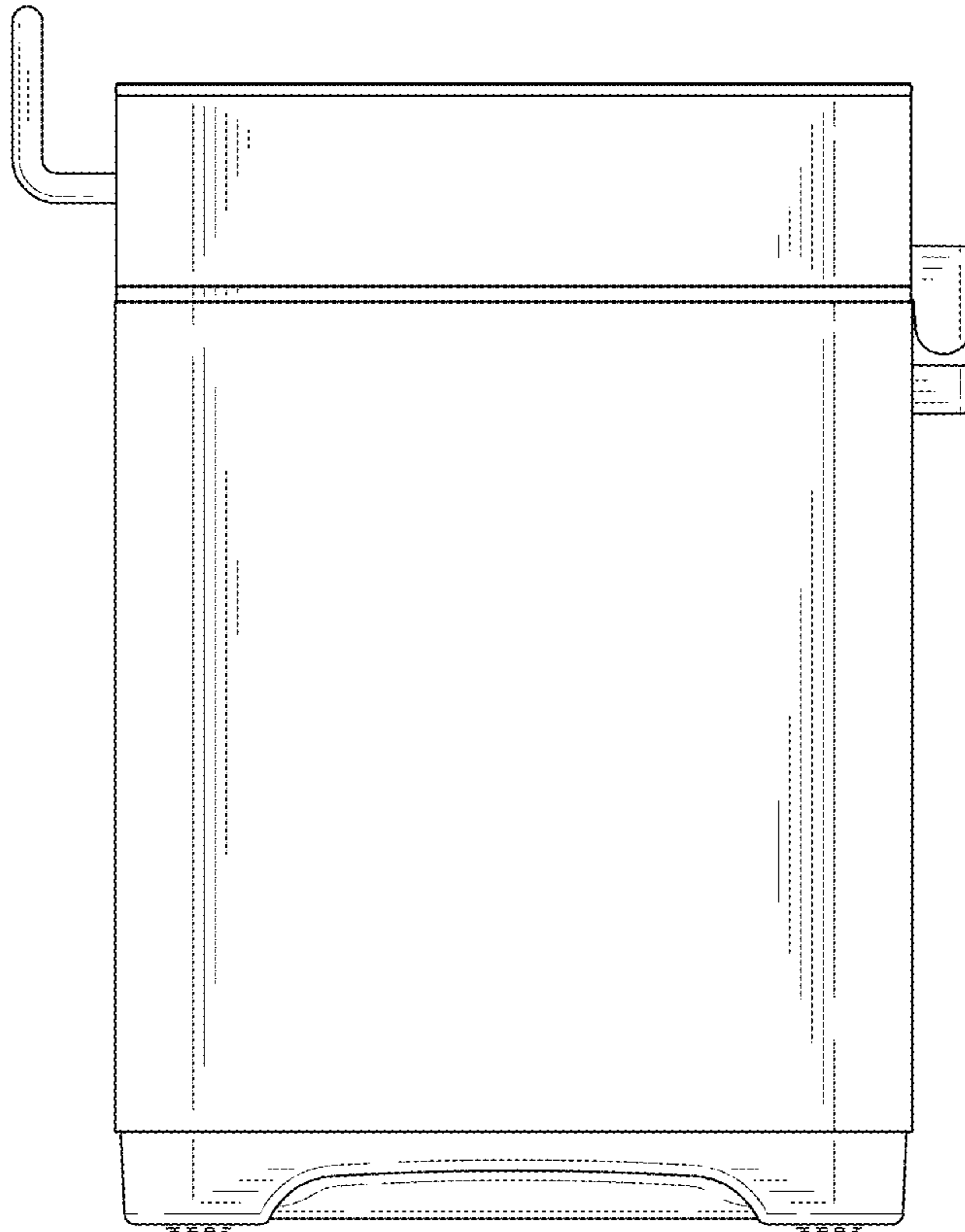


FIG. 6

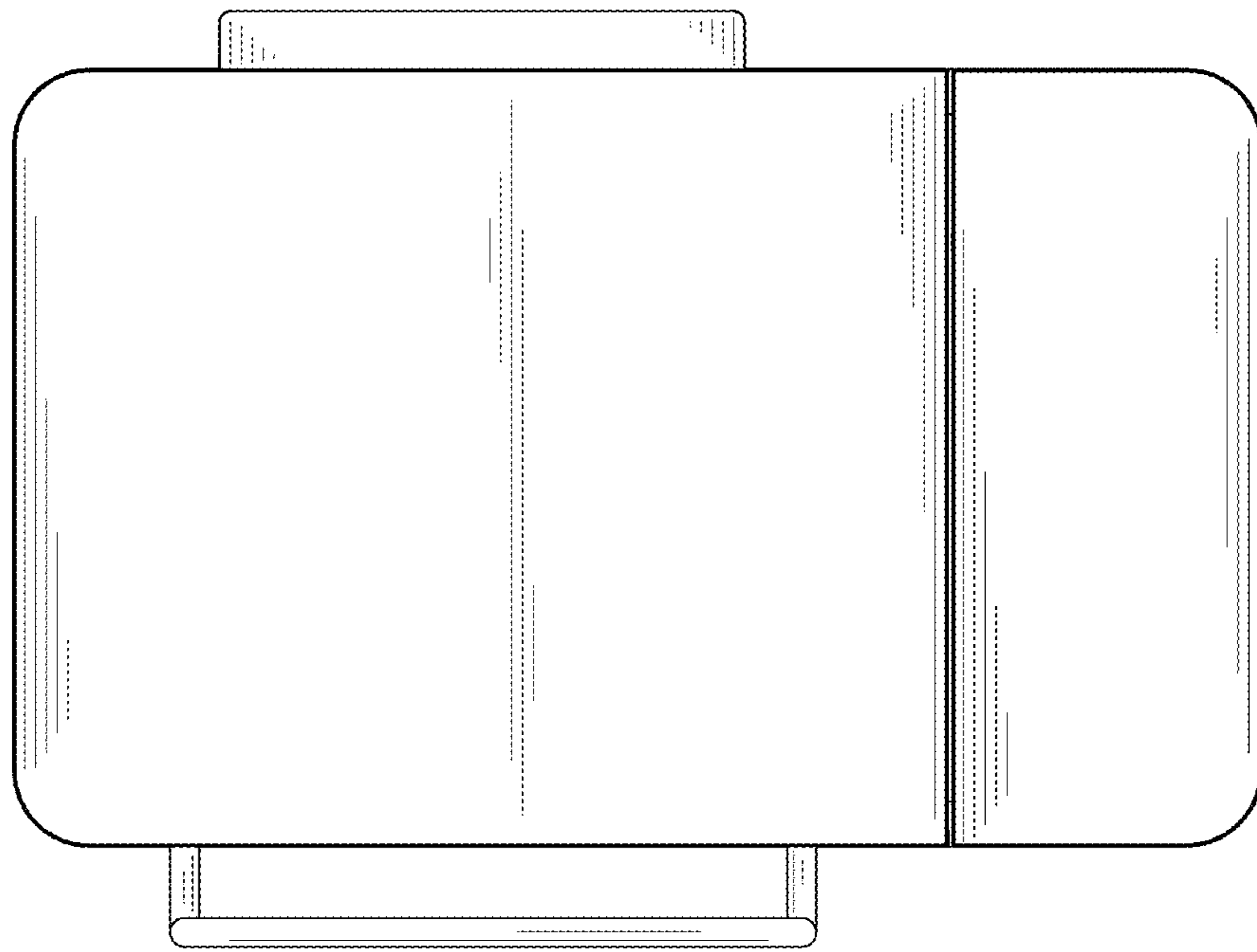


FIG. 7

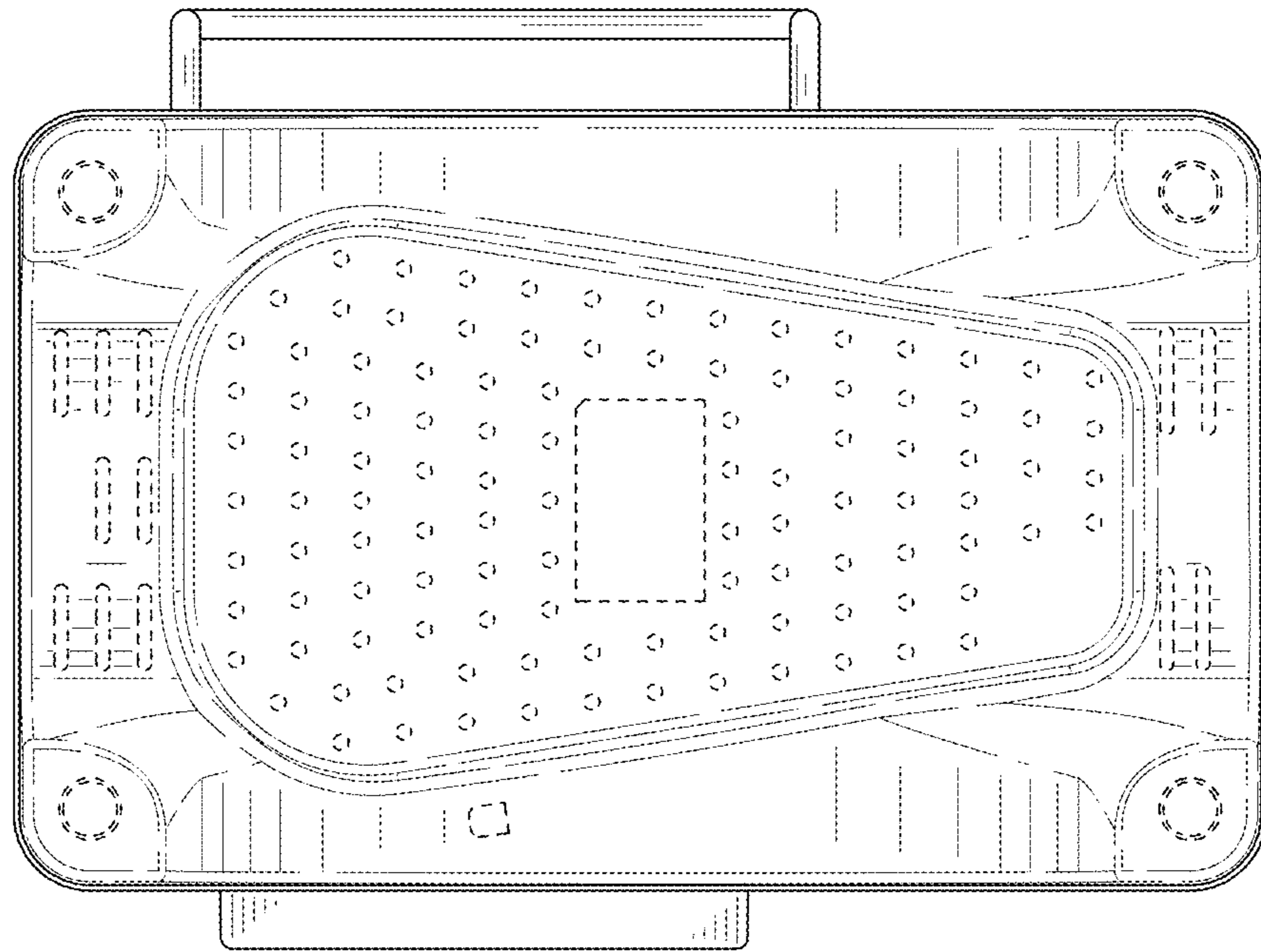


FIG. 8