



US00D959189S

(12) **United States Design Patent**
Han et al.

(10) **Patent No.:** **US D959,189 S**
(45) **Date of Patent:** **** Aug. 2, 2022**

(54) **AIR FRYER**

D881,632 S * 4/2020 Ye D7/348
D896,019 S * 9/2020 Musanta D7/354
D909,806 S * 2/2021 Hu D7/350.1

(71) Applicant: **Samsung Electronics Co., Ltd.**,
Suwon-si (KR)

(Continued)

(72) Inventors: **Gi-Sung Han**, Suwon-si (KR);
Kang-Doo Kim, Suwon-si (KR);
June-Hyuck Choi, Suwon-si (KR);
Sun-Min Lee, Suwon-si (KR)

FOREIGN PATENT DOCUMENTS

CN 2017304877089 3/2018
CN 2019300244404 6/2019

(Continued)

(73) Assignee: **Samsung Electronics Co., Ltd.**,
Suwon-si (KR)

OTHER PUBLICATIONS

GoWISE USA GW44800-O Deluxe 12.7-Quarts 15-in-1 Electric
Air Fryer Oven, first available Oct. 10, 2018, Amazon, [online], [site
visited Feb. 10, 2022], Available from internet URL: [https://www.
amazon.com/dp/B07LBZGD97](https://www.amazon.com/dp/B07LBZGD97) (Year: 2018).*

(Continued)

(**) Term: **15 Years**

Primary Examiner — Mary Ann Calabrese
Assistant Examiner — Natalya M Rapundalo

(21) Appl. No.: **29/741,839**

(74) *Attorney, Agent, or Firm* — NSIP Law

(22) Filed: **Jul. 16, 2020**

(30) **Foreign Application Priority Data**

May 22, 2020 (KR) 30-2020-0022581

(51) **LOC (13) Cl.** **07-02**

(52) **U.S. Cl.**
USPC **D7/350.1**

(58) **Field of Classification Search**
USPC D7/323, 328, 332–337, 339, 340,
D7/347–351, 354, 387, 393, 396, 402,
D7/405–409

CPC A47J 37/00; A47J 37/06; A47J 37/0605;
A47J 37/0623; A47J 37/0629; A47J
37/0635; A47J 37/0641; A47J 37/0647;
A47J 37/0658; A47J 27/04; F24C 7/00;
F24C 7/02; F24C 7/04

See application file for complete search history.

(56) **References Cited**

U.S. PATENT DOCUMENTS

D305,970 S * 2/1990 Nishibori D7/351
D862,152 S * 10/2019 Huang D7/354
D875,460 S * 2/2020 Chen D7/354

(57) **CLAIM**

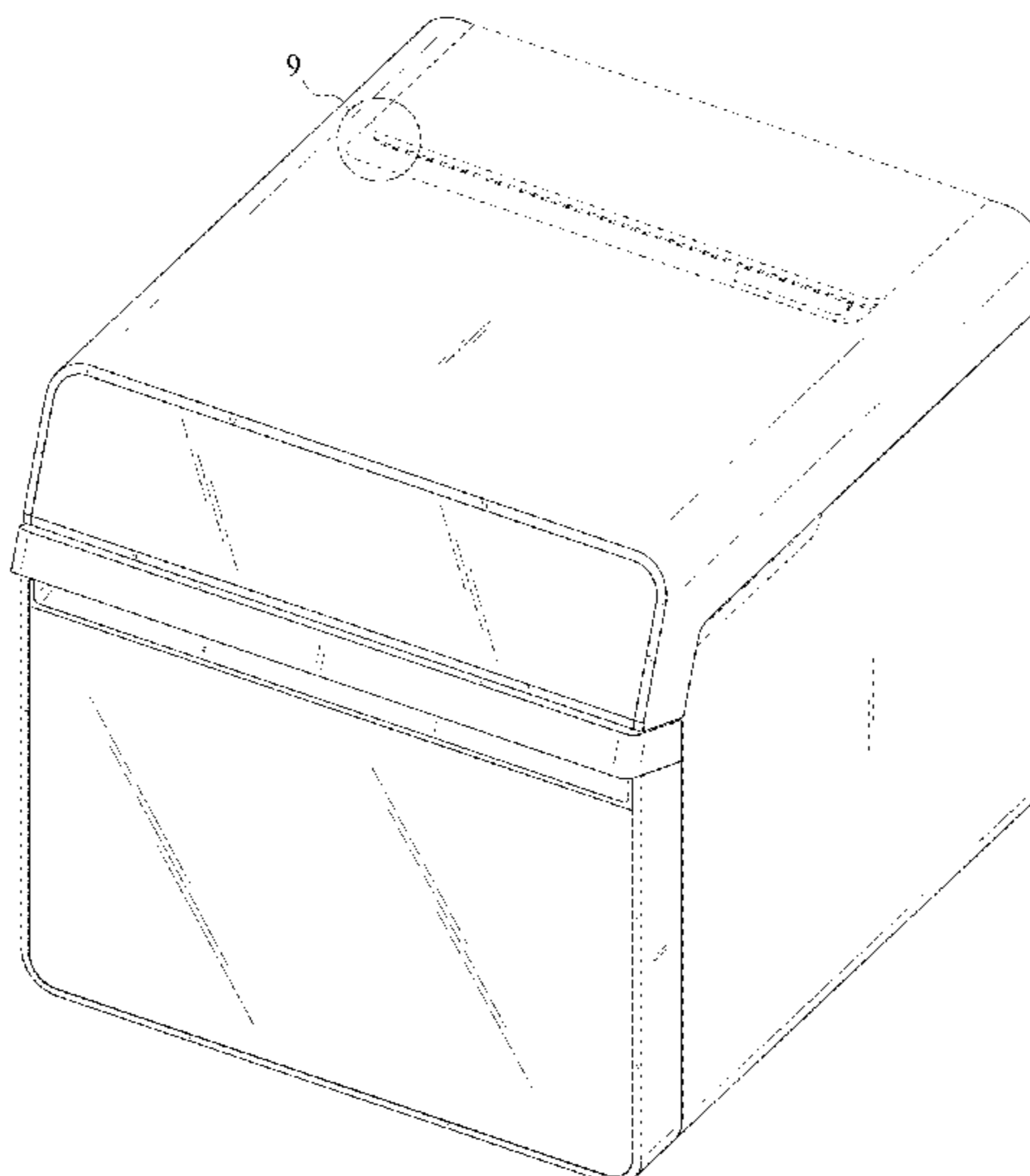
We claim the ornamental design for an air fryer, as shown
and described.

DESCRIPTION

FIG. 1 is a front perspective view of an air fryer showing our
new design;
FIG. 2 is a front view thereof;
FIG. 3 is a rear view thereof;
FIG. 4 is a left-side view thereof;
FIG. 5 is a right-side view thereof;
FIG. 6 is a top view thereof;
FIG. 7 is a bottom view thereof;
FIG. 8 is a bottom perspective view thereof; and,
FIG. 9 is an enlarged view of the encircled portion in FIG.
1.

The broken lines in the figures depict portions of the air fryer
which form no part of the claimed design.

1 Claim, 9 Drawing Sheets



(56)

References Cited

U.S. PATENT DOCUMENTS

D923,386 S * 6/2021 Lin D7/354
D931,675 S * 9/2021 Bock D7/350.1
D933,415 S * 10/2021 Yang D7/354
D938,218 S * 12/2021 Dubeau D7/354
2022/0053972 A1* 2/2022 Zhang A47J 27/04

FOREIGN PATENT DOCUMENTS

CN 2019301526465 6/2019
CN 2019301621493 12/2019
EM 007510045-0001 1/2020

OTHER PUBLICATIONS

Design No. 306557498, Dec. 23, 2020—China National Intellectual Property Administration (CNIPA) Publication Date—May 25, 2021
Owner—Zhongshan Qualcomm Electrical Appliance Co Ltd,
Designer—Wang Shuang WIPO, available at <https://www3.wipo.int/designdb/en/index.jsp> (Year: 2021).*

Design No. 306867549, May 31, 2021—China National Intellectual Property Administration (CNIPA) Publication Date—Oct. 8, 2021
Owner—Foshan Zhengguan Electric Appliance Co Ltd, Designer—
Gan Haihui WIPO, available at <https://www3.wipo.int/designdb/en/index.jsp> (Year: 2021).*

* cited by examiner

FIG. 1

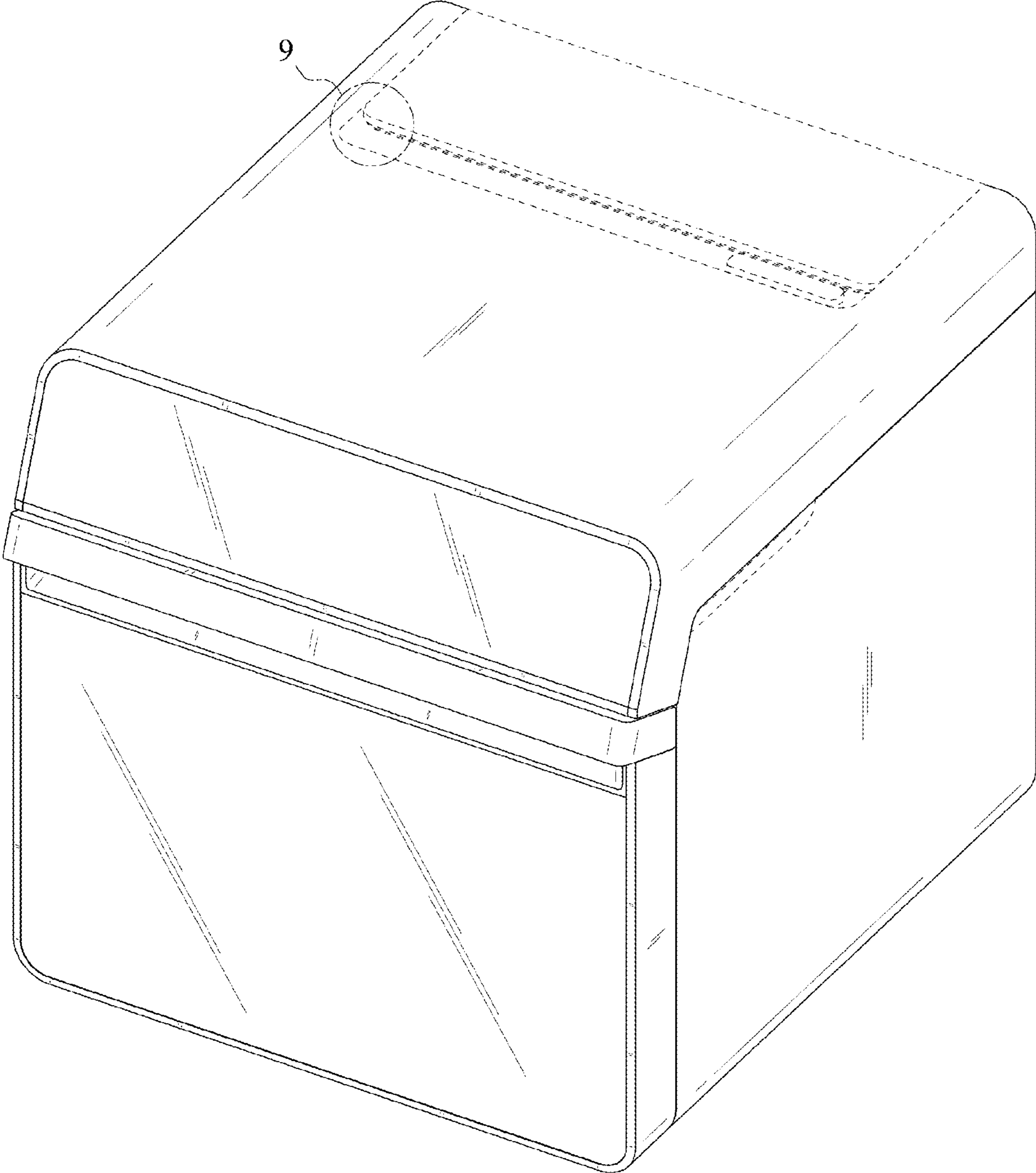


FIG. 2

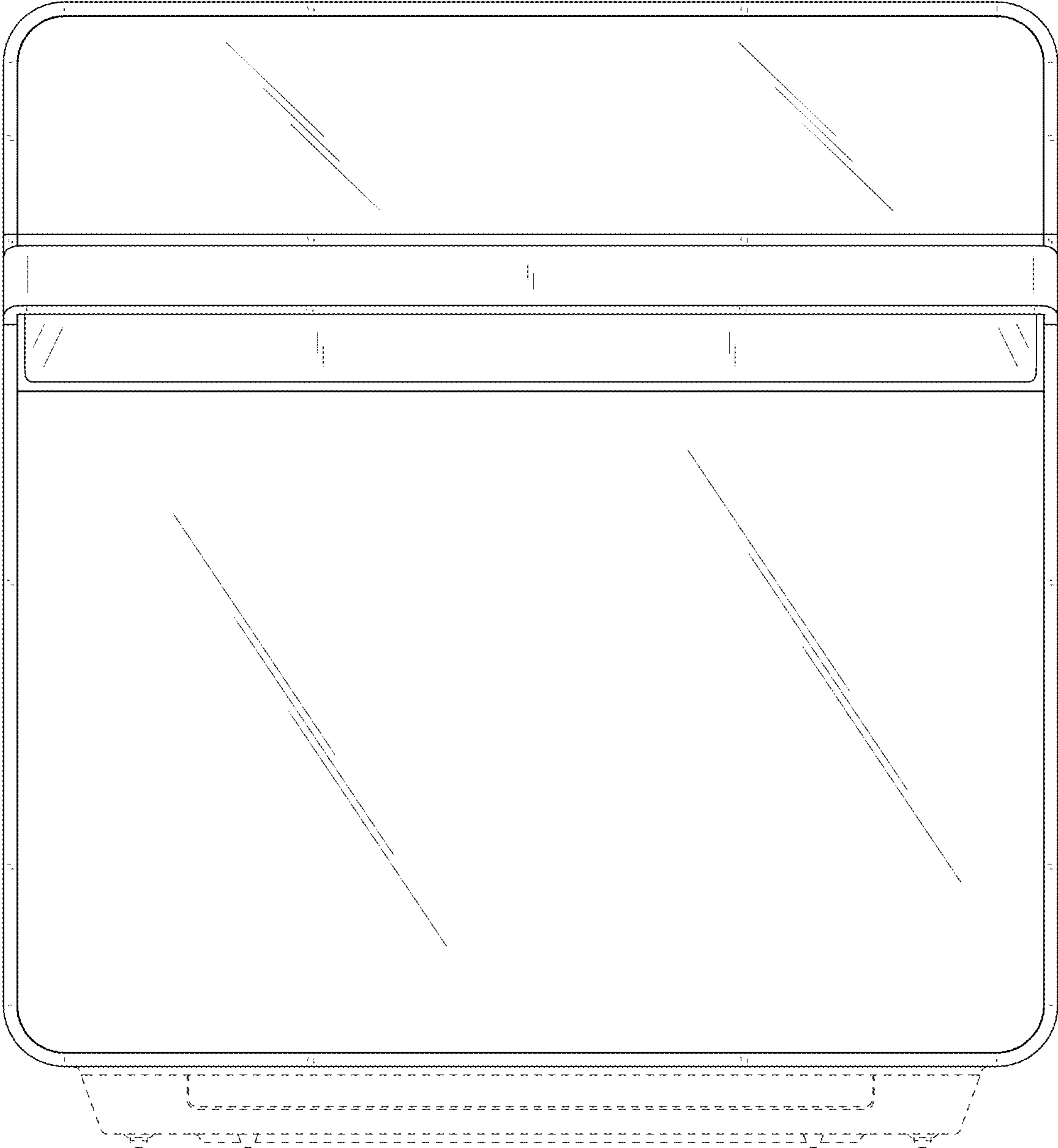


FIG. 3

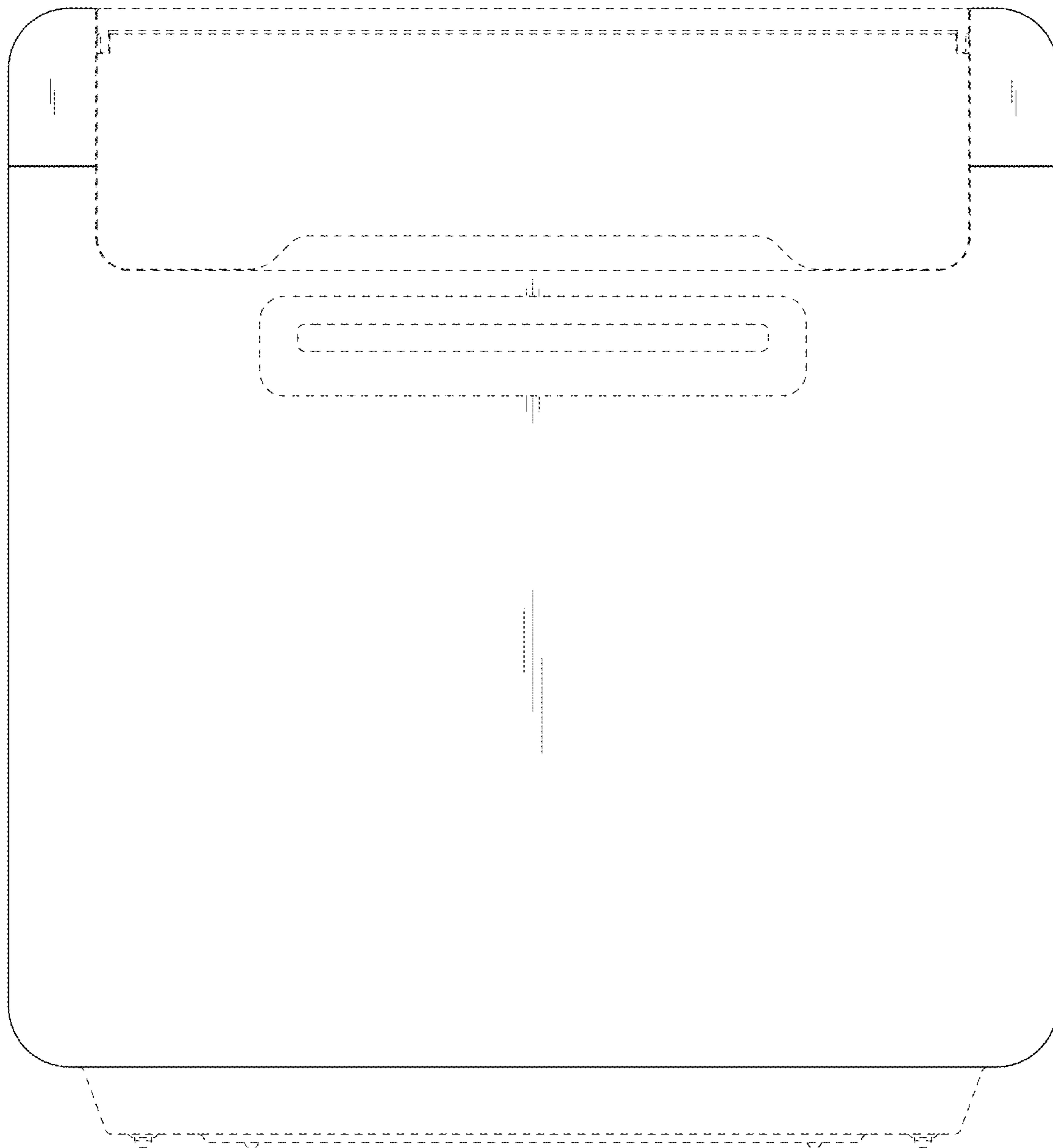


FIG. 4

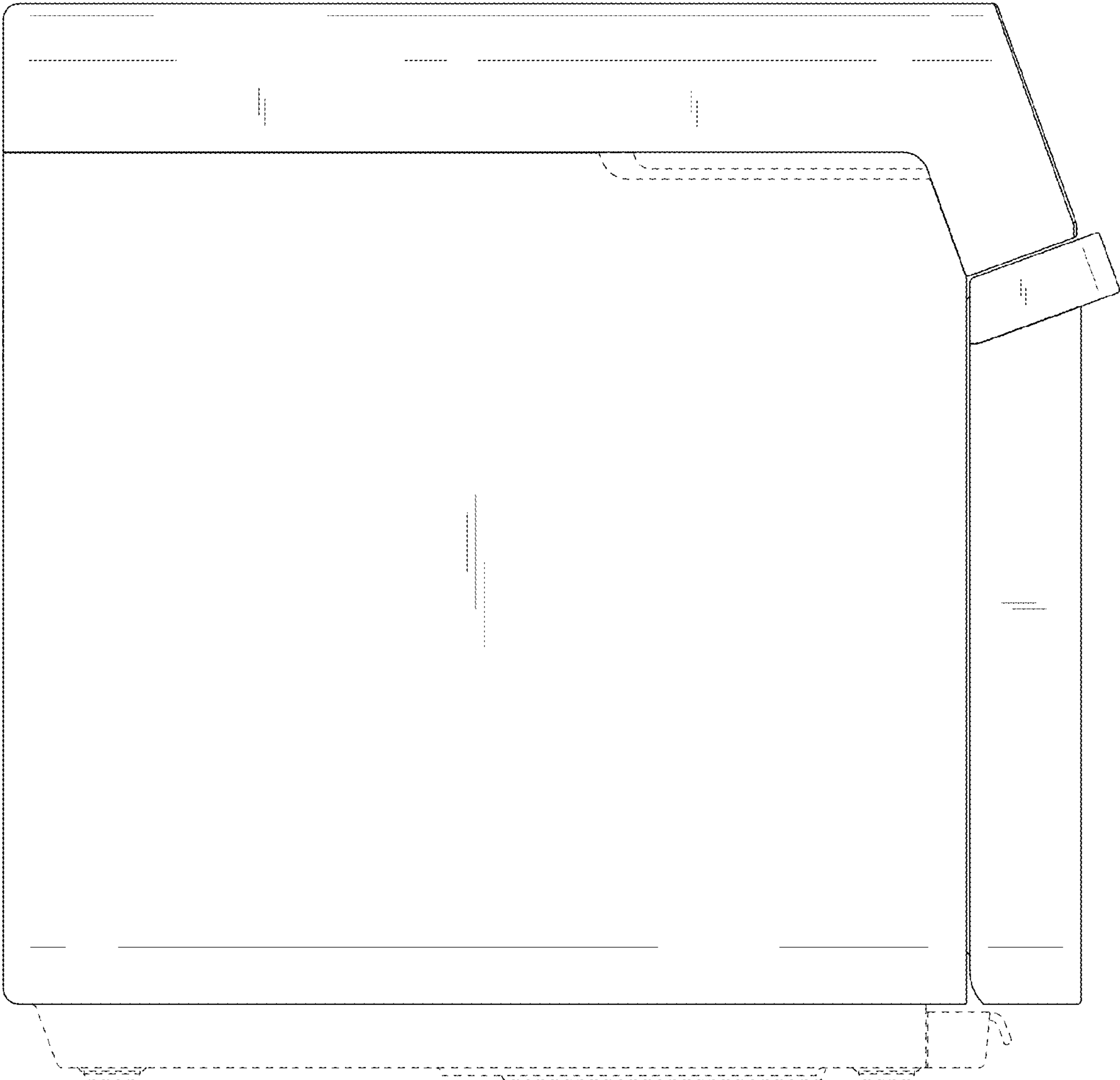


FIG. 5

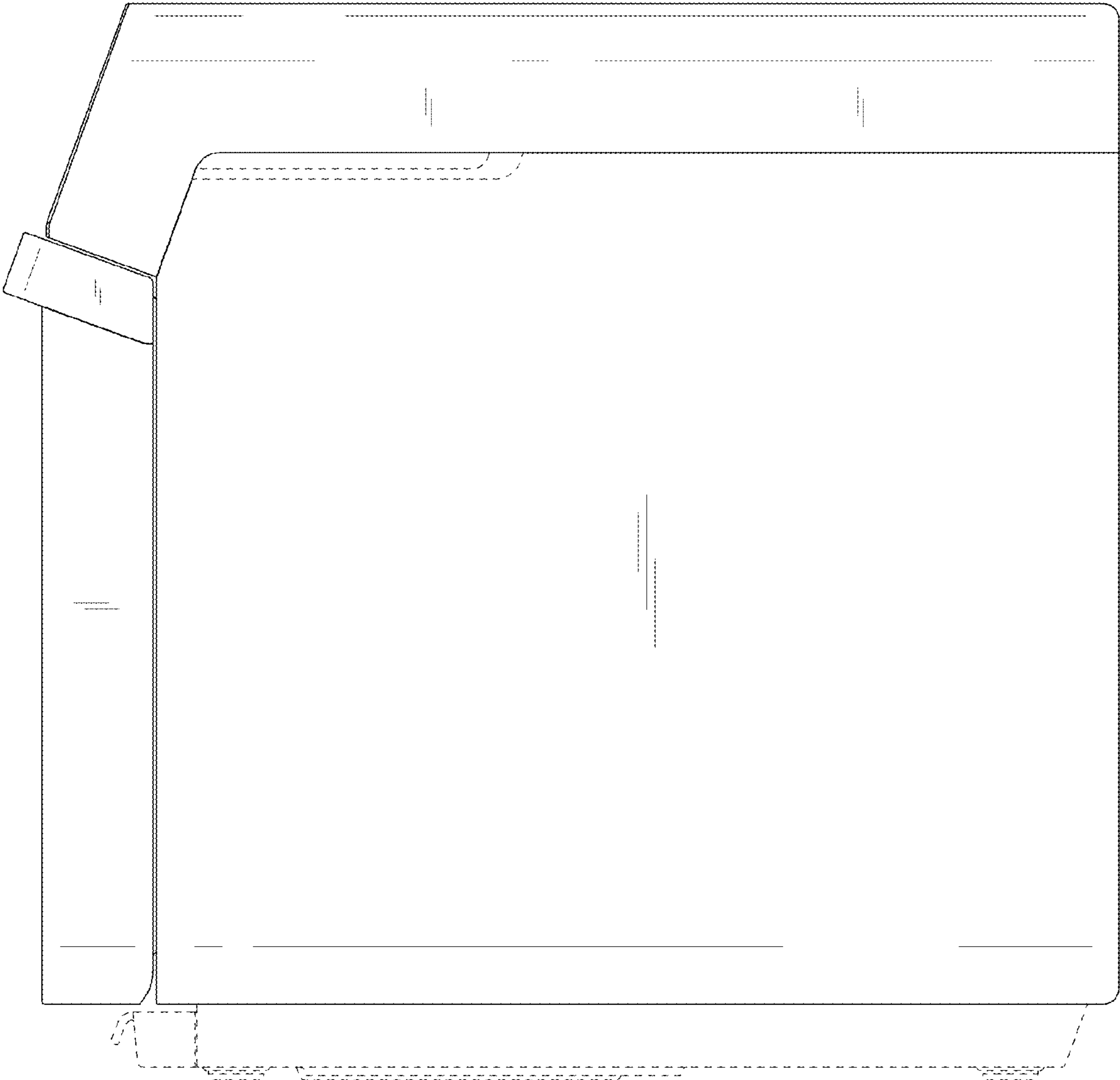


FIG. 6

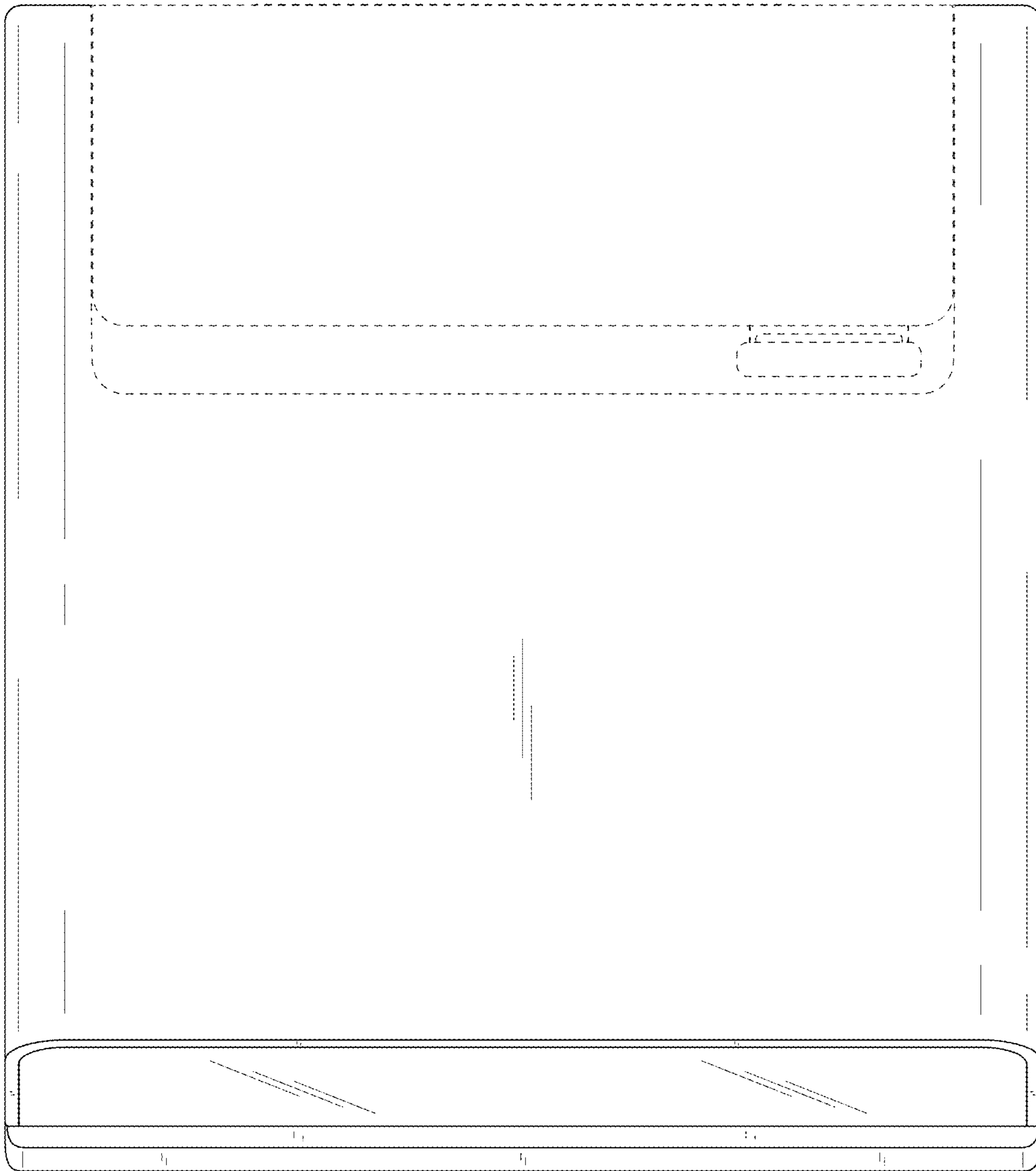


FIG. 7

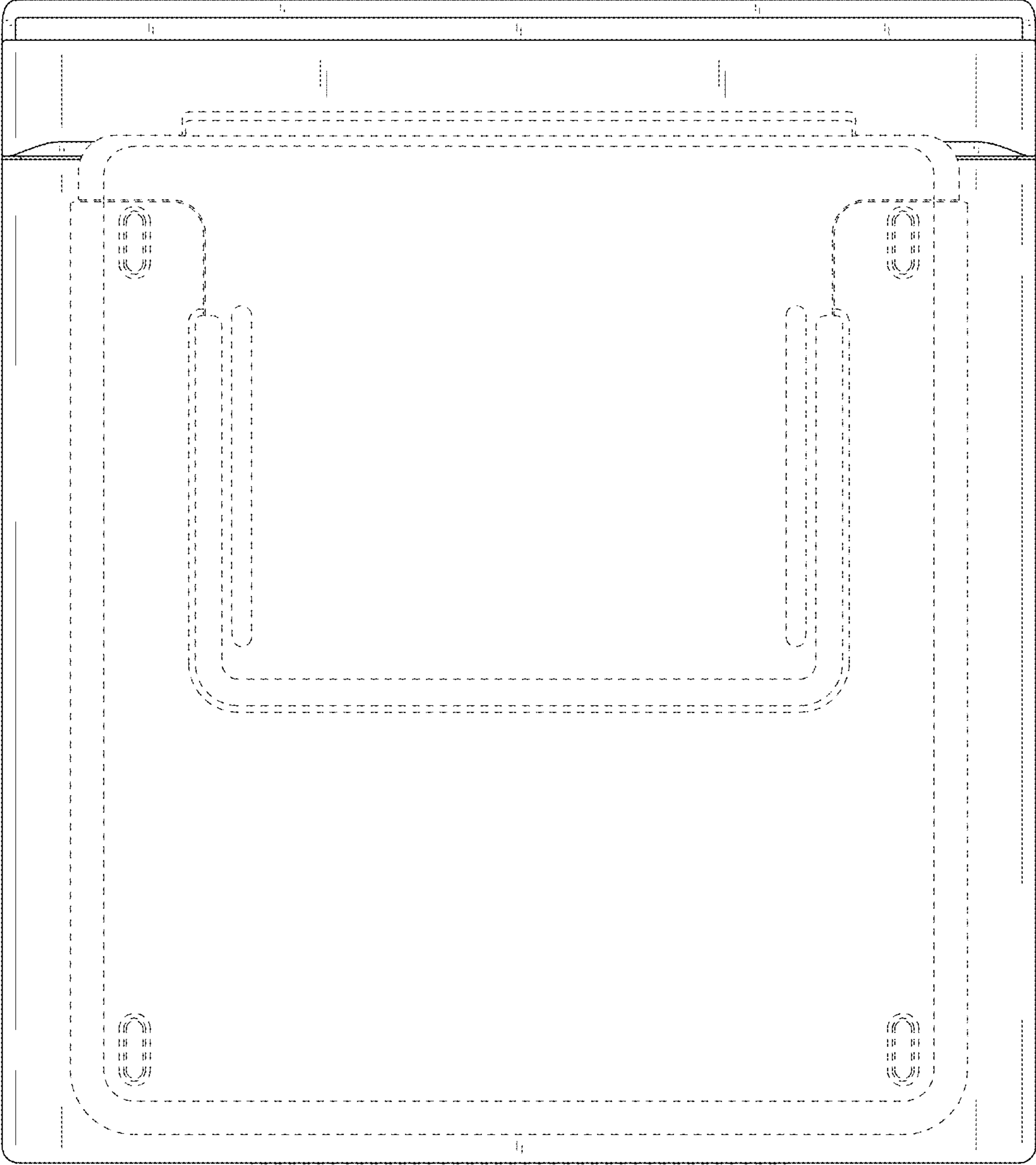


FIG. 8

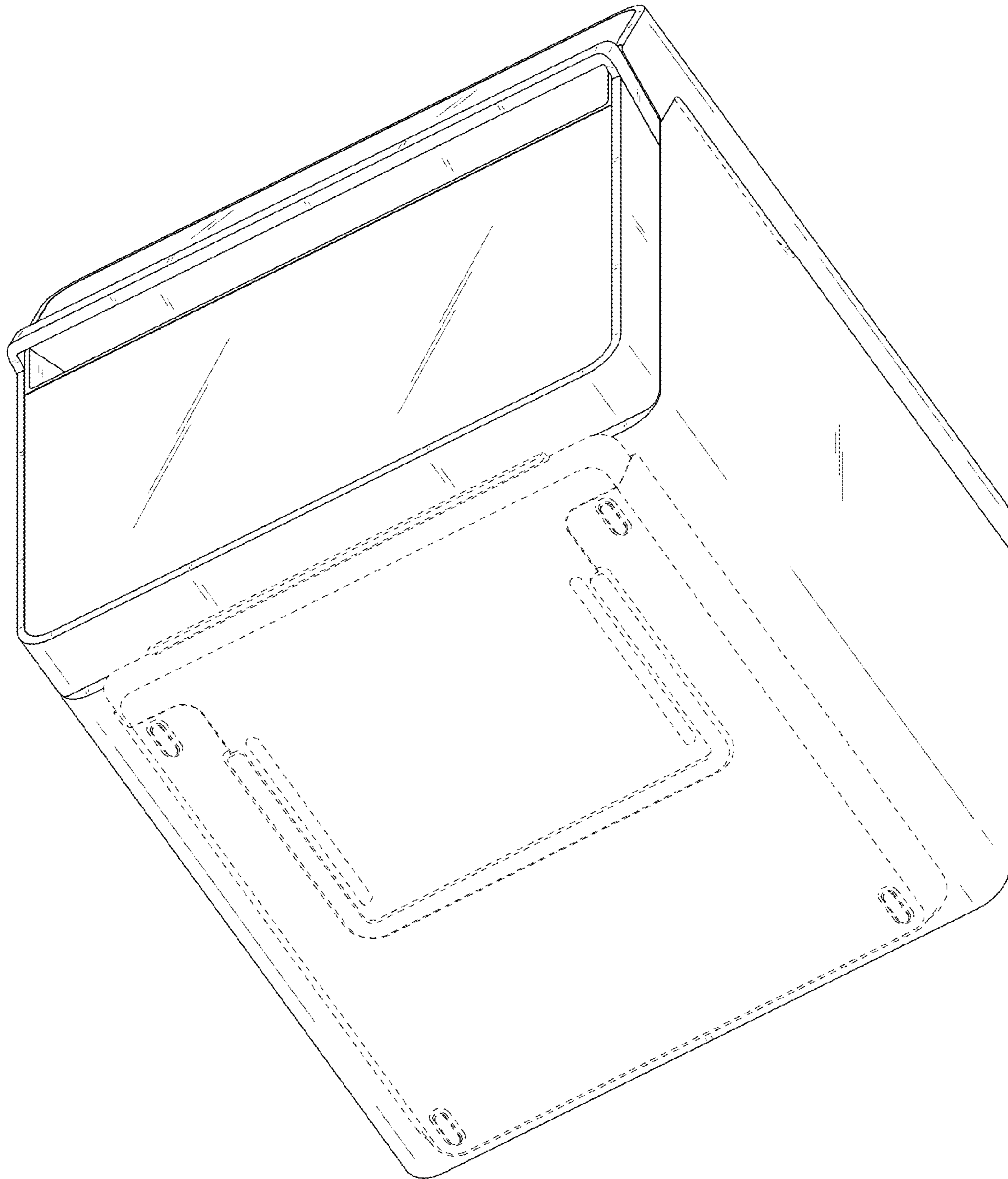


FIG. 9

