



US00D959186S

(12) **United States Design Patent**  
**Hayon**

(10) **Patent No.:** **US D959,186 S**

(45) **Date of Patent:** **\*\* Aug. 2, 2022**

(54) **ELECTRIC KETTLE**

(71) Applicant: **SAMSUNG ELECTRONICS CO., LTD.**, Suwon-si (KR)

(72) Inventor: **Jaime Hayon**, Valencia (ES)

(73) Assignee: **SAMSUNG ELECTRONICS CO., LTD.**, Gyeonggi-Do (KR)

(\*\*) Term: **15 Years**

(21) Appl. No.: **29/741,420**

(22) Filed: **Jul. 13, 2020**

(30) **Foreign Application Priority Data**

Jan. 14, 2020 (KR) ..... 30-2020-0001685

(51) **LOC (13) Cl.** ..... **07-01**

(52) **U.S. Cl.**  
USPC ..... **D7/318; D7/317; D7/321**

(58) **Field of Classification Search**  
USPC ..... D7/300, 300.1, 316-322, 399, 400, 507,  
D7/509-511, 538, 540, 543, 547, 598,  
D7/600; D23/209

(Continued)

(56) **References Cited**

**U.S. PATENT DOCUMENTS**

1,002,150 A \* 8/1911 Henriquez ..... B05B 11/3011  
222/324

1,998,732 A \* 4/1935 Olds ..... A47J 31/053  
285/347

(Continued)

**FOREIGN PATENT DOCUMENTS**

CN 300907236 \* 4/2009  
CN 303227851 S 5/2015

(Continued)

*Primary Examiner* — Joseph Kukella

*Assistant Examiner* — Arva P Adams

(74) *Attorney, Agent, or Firm* — Cantor Colburn LLP

(57) **CLAIM**

The ornamental design for an electric kettle, as shown and described.

**DESCRIPTION**

FIG. 1 is a front perspective view of a first embodiment of an electric kettle, showing my new design;

FIG. 2 is a front view thereof;

FIG. 3 is a rear view thereof;

FIG. 4 is a left-side view thereof;

FIG. 5 is a right-side view thereof;

FIG. 6 is a top view thereof;

FIG. 7 is a bottom view thereof;

FIG. 8 is an enlarged view of the encircled portion 8 in FIG. 1;

FIG. 9 is an enlarged view of the encircled portion 9 in FIG. 1;

FIG. 10 is an enlarged view of the encircled portion 10 in FIG. 2;

FIG. 11 is an enlarged view of the encircled portion 11 in FIG. 4;

FIG. 12 is an enlarged view of the encircled portion 12 in FIG. 6;

FIG. 13 is an enlarged view of the encircled portion 13 in FIG. 7;

FIG. 14 is a front perspective view of a second embodiment of an electric kettle, showing my new design;

FIG. 15 is a front view thereof;

FIG. 16 is a rear view thereof;

FIG. 17 is a left-side view thereof;

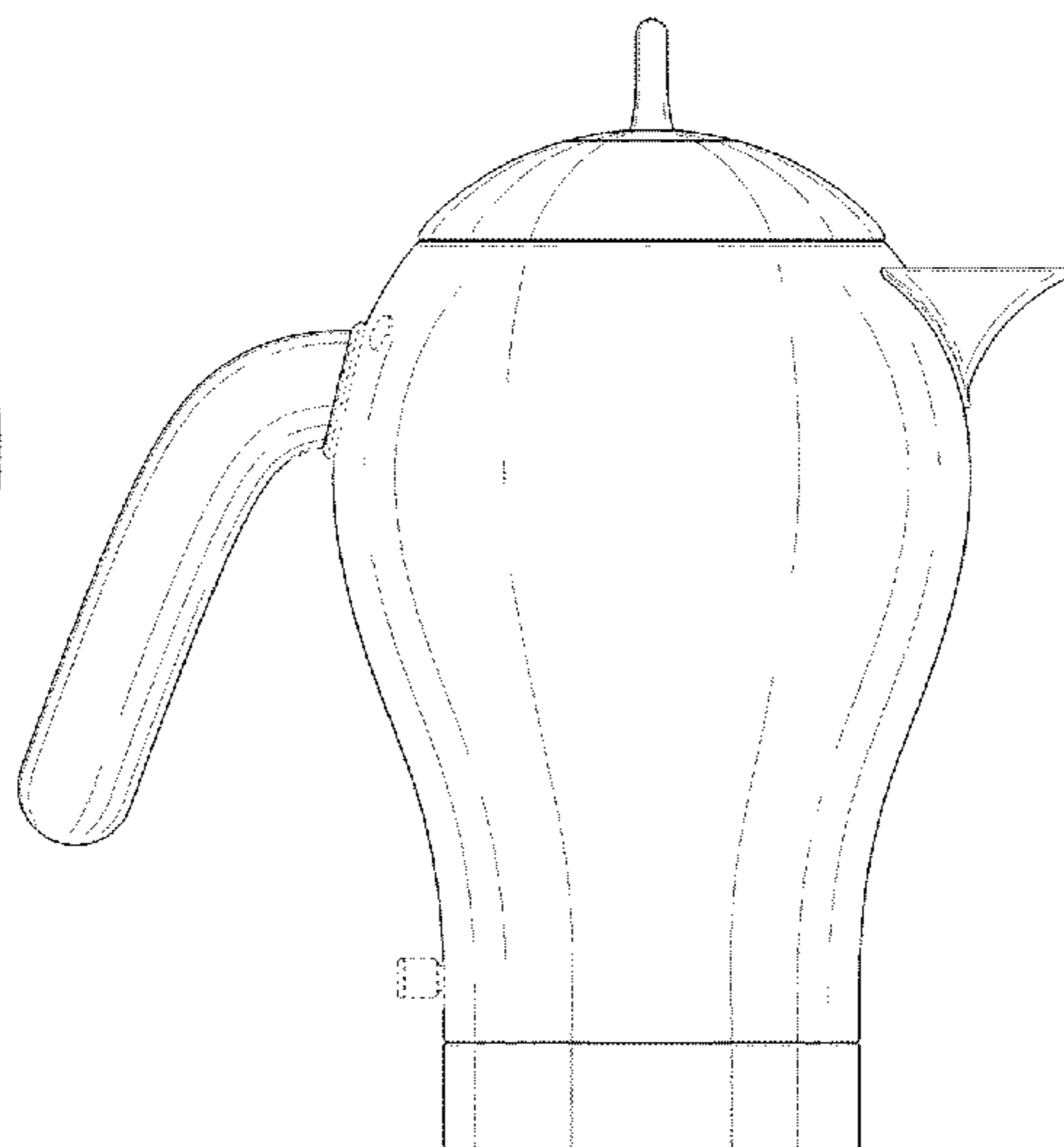
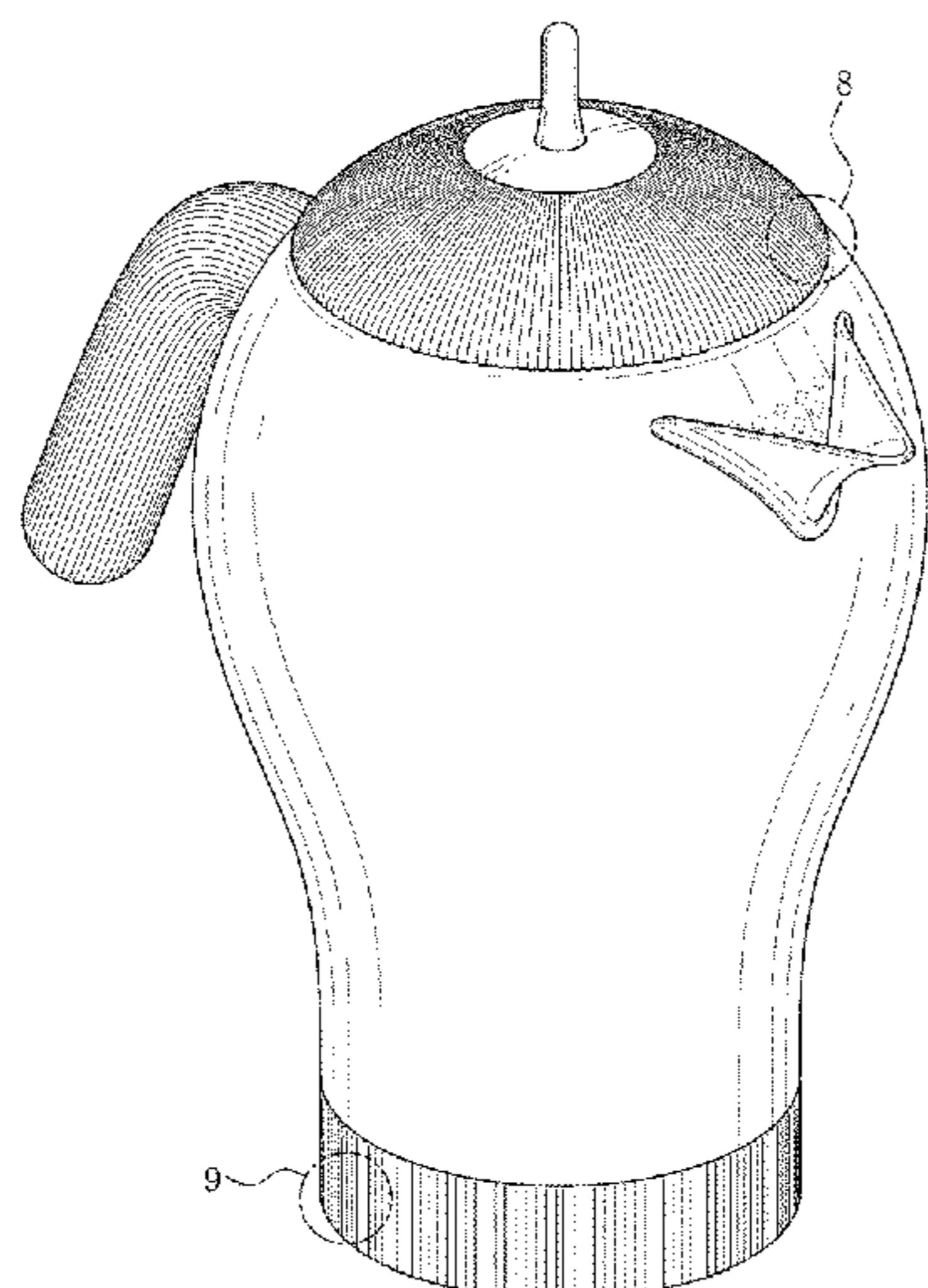
FIG. 18 is a right-side view thereof;

FIG. 19 is a top view thereof; and,

FIG. 20 is a bottom view thereof.

The even-dash broken lines illustrating portions of the electric kettle form no part of the claimed design. The dot-dot-dash broken lines encircling enlargement portions of the claimed design form no part of the claimed design.

**1 Claim, 20 Drawing Sheets**



(58) **Field of Classification Search**

CPC ..... A47J 27/004; A47J 27/2015; A47J 27/21;  
A47J 27/21008; A47J 27/21016; A47J  
27/21041; A47J 27/21191; A47J 31/00;  
A47J 31/005; A47J 36/06

See application file for complete search history.

(56) **References Cited**

U.S. PATENT DOCUMENTS

D179,888 S \* 3/1957 Dube ..... D7/538  
D182,719 S \* 5/1958 Hack ..... D9/600  
D212,090 S \* 8/1968 Edmiston ..... D23/209  
D297,295 S \* 8/1988 Palsby ..... D7/319  
D469,658 S \* 2/2003 Norris ..... D7/510  
D498,966 S \* 11/2004 Fiedeler ..... B05B 11/3011  
D7/300.1  
D533,403 S \* 12/2006 Bhavnani ..... D7/533  
D594,268 S \* 6/2009 Bodum ..... D7/319  
D683,584 S \* 6/2013 Gross ..... D7/397  
D724,370 S \* 3/2015 Kunz ..... A47J 31/053  
D7/312  
D796,247 S \* 9/2017 Bazzicalupo ..... D7/321

FOREIGN PATENT DOCUMENTS

CN 303227855 S 5/2015  
CN 305335342 \* 9/2019  
CN 305591183 \* 2/2020  
EM 001603747-0001 8/2009  
EM 002502468-0001 7/2014  
EM 002694406-0001 5/2015  
JP D1578274 \* 6/2017

\* cited by examiner

FIG. 1

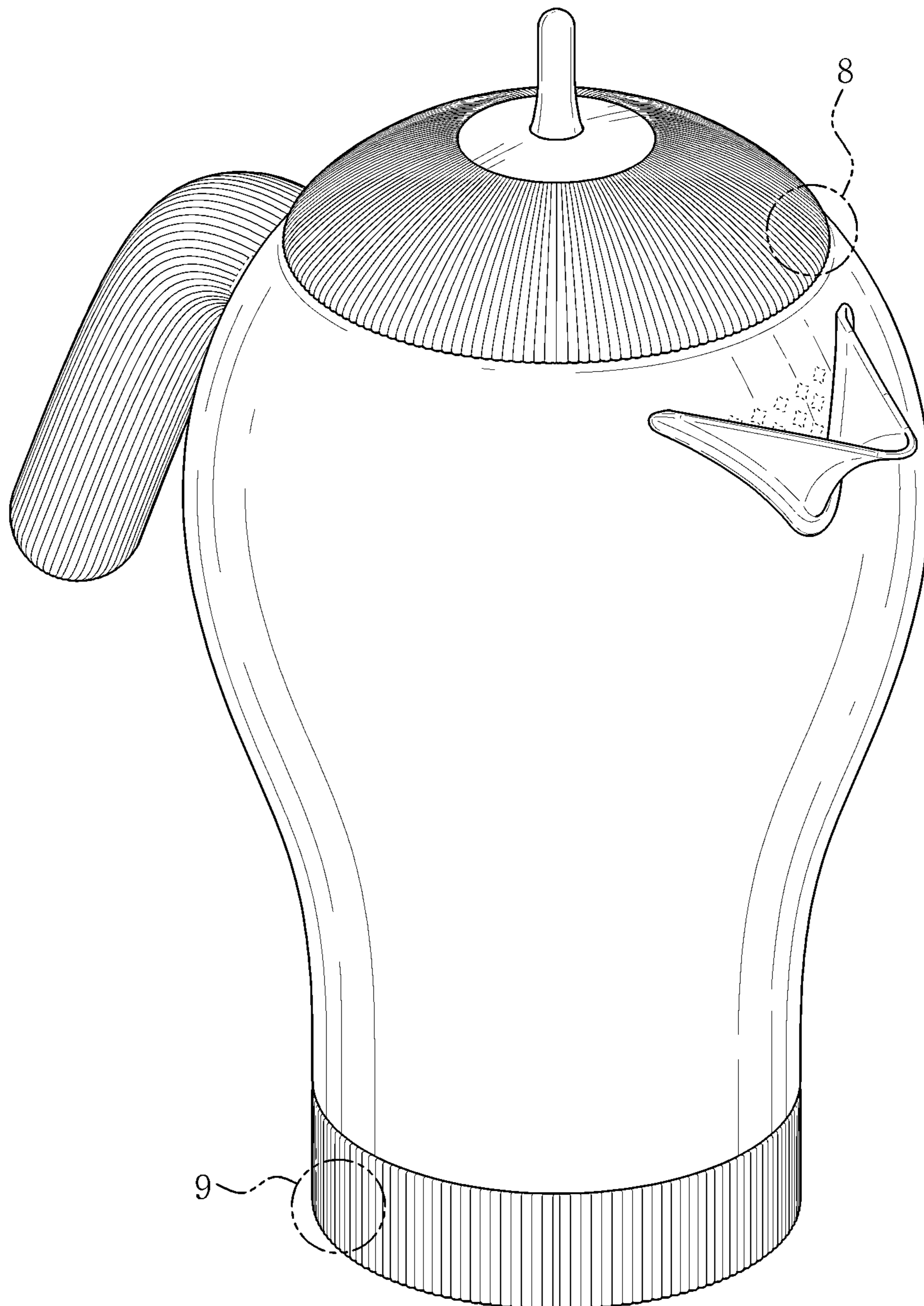




FIG. 2

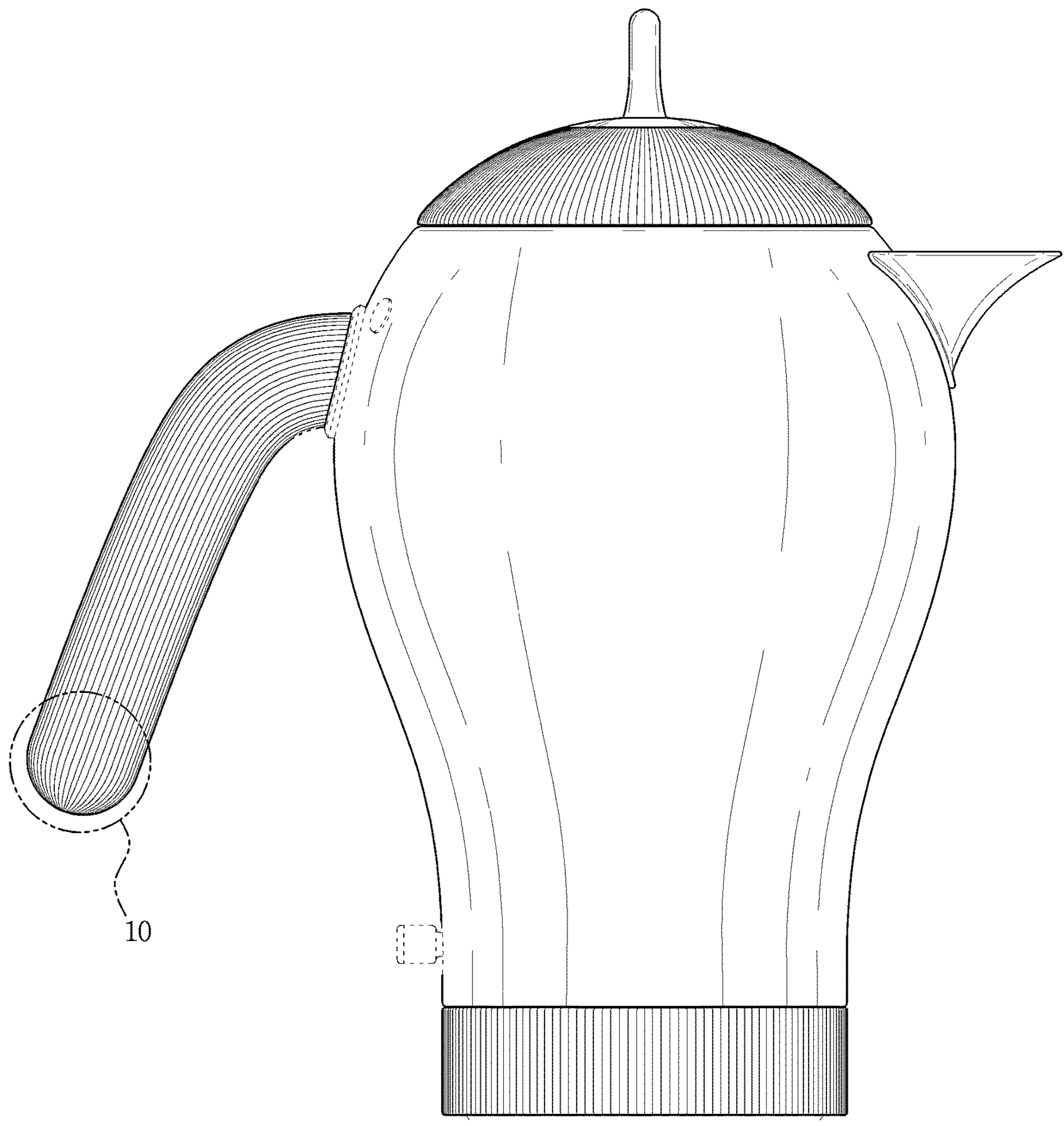


FIG. 3

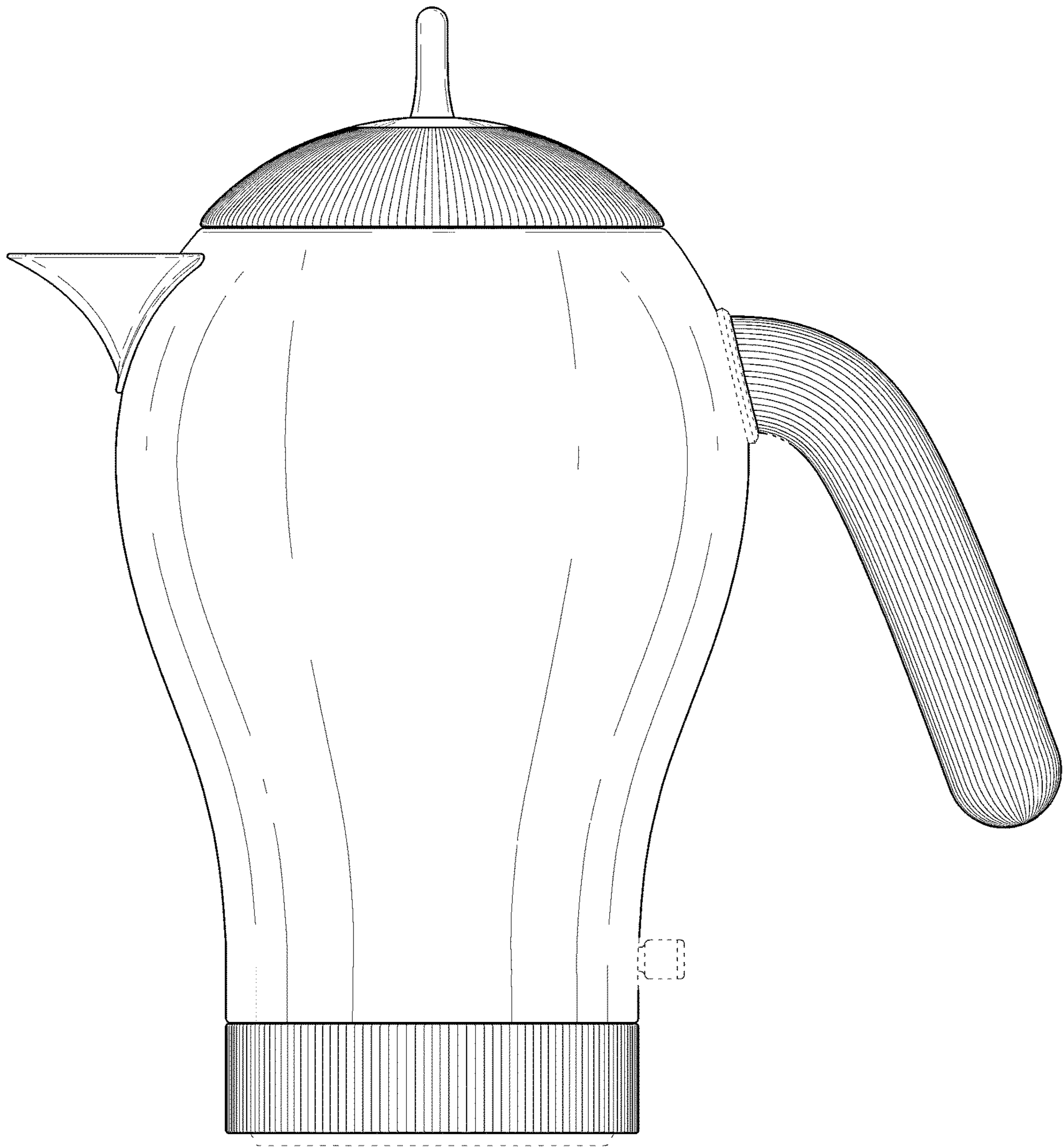


FIG. 4

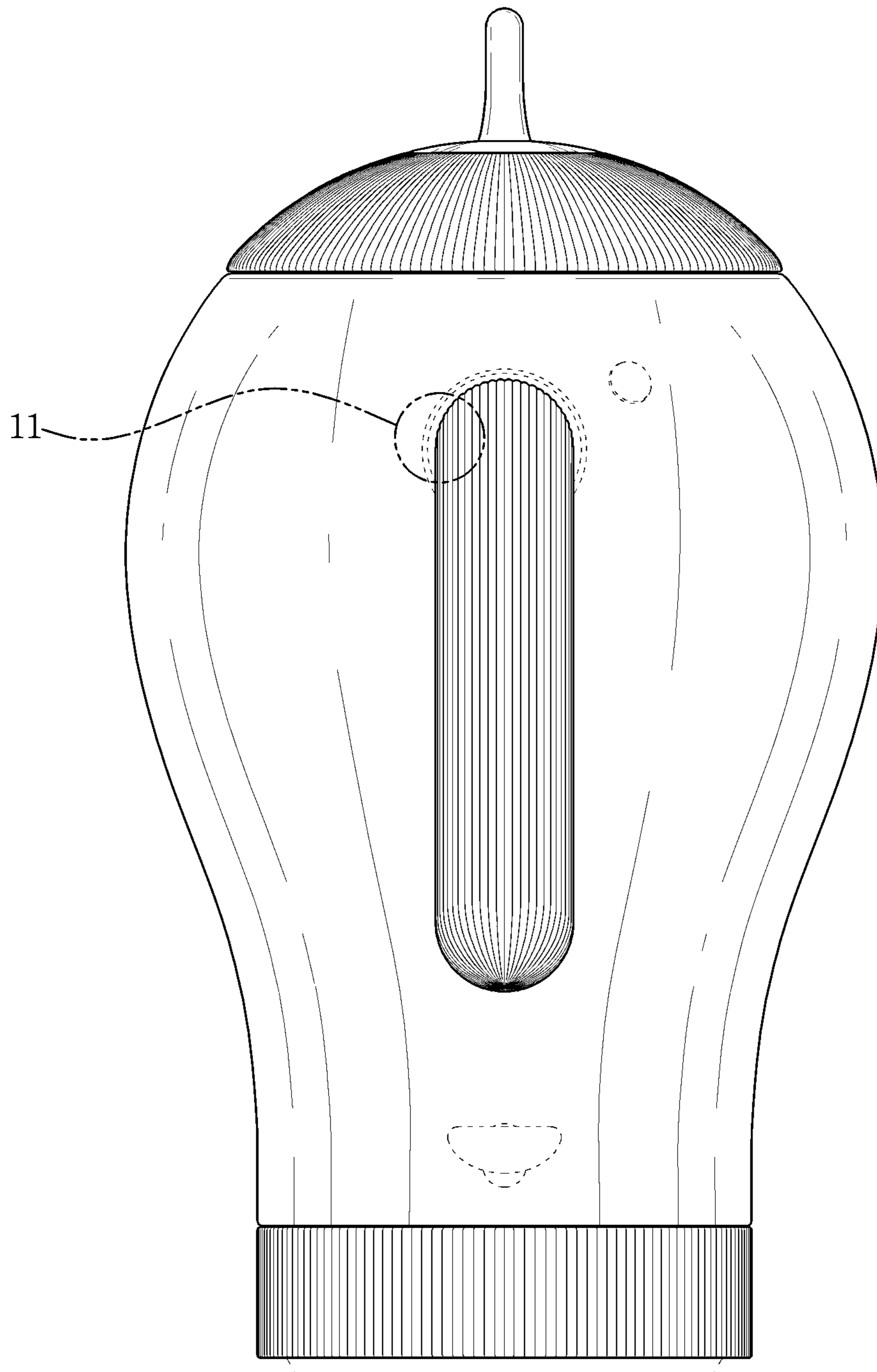


FIG. 5

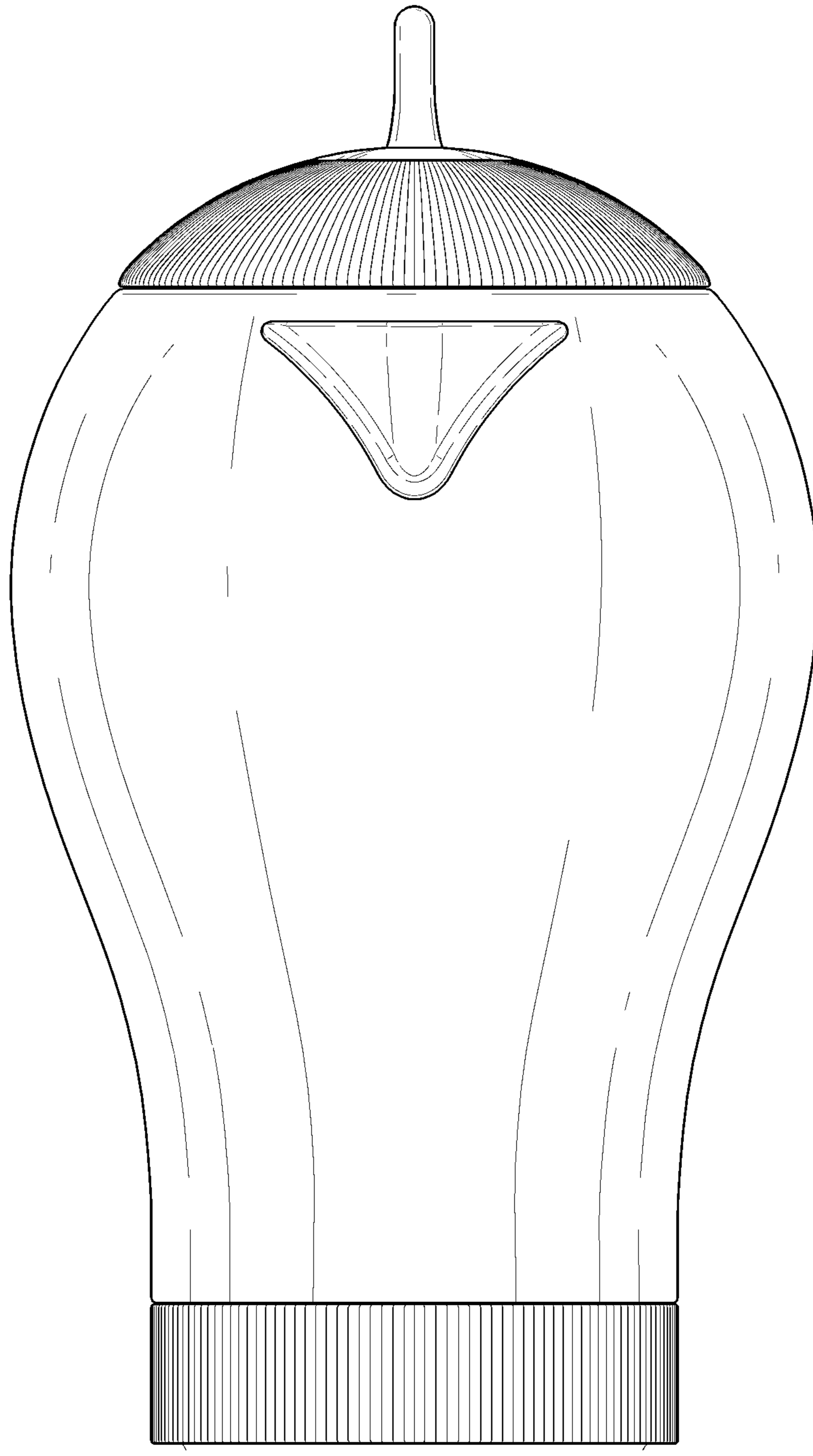




FIG. 6

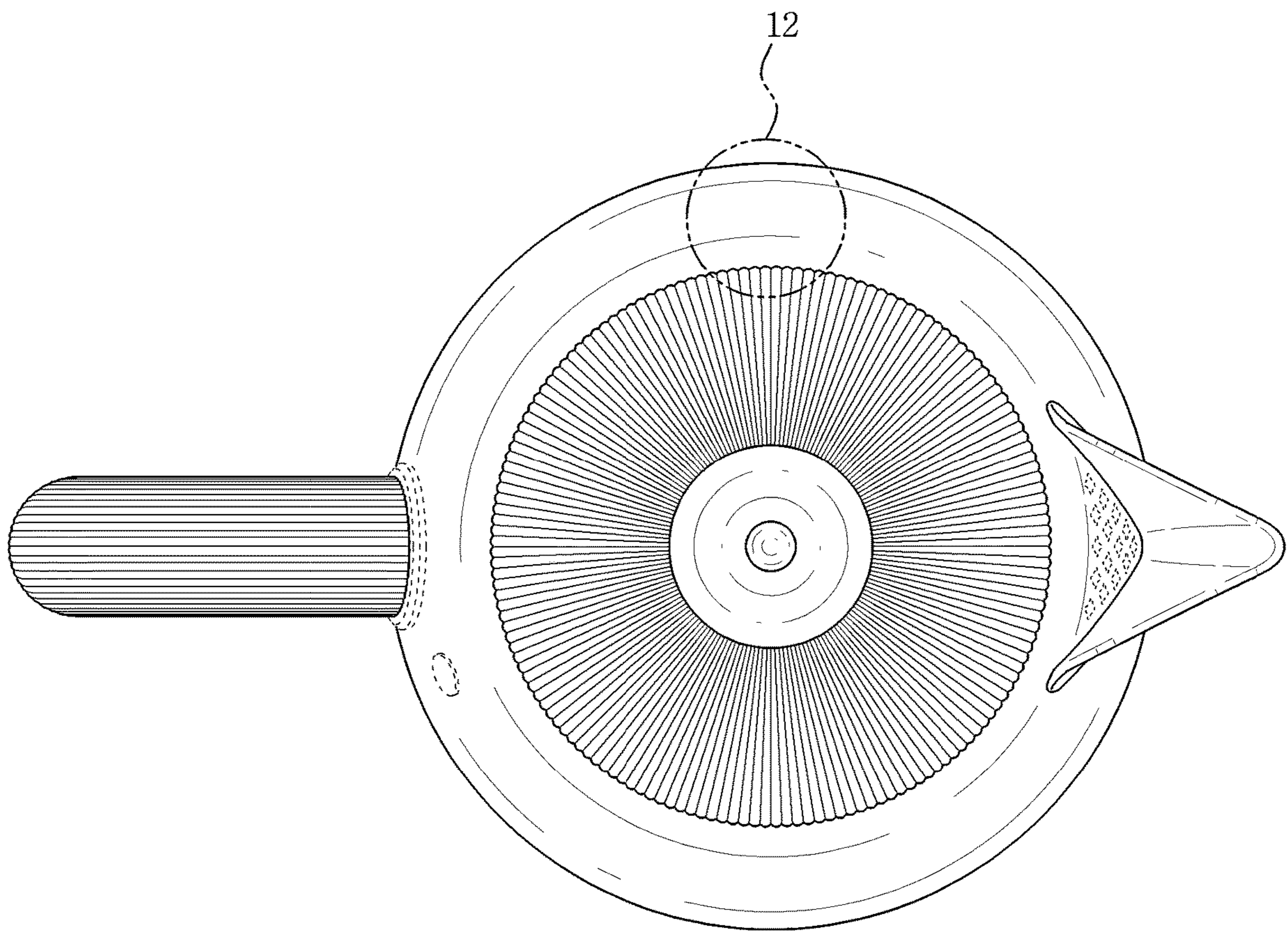




FIG. 7

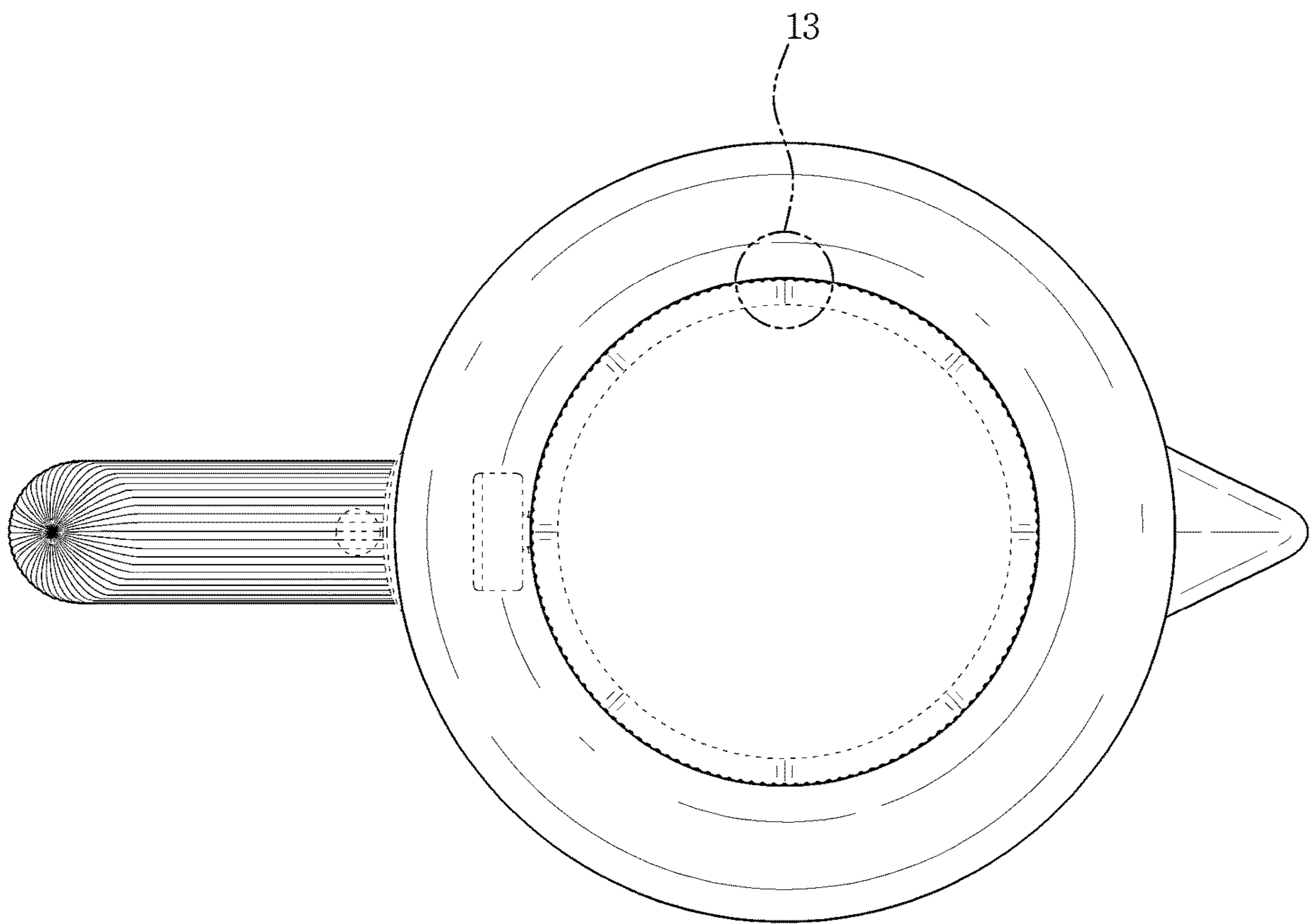


FIG. 8

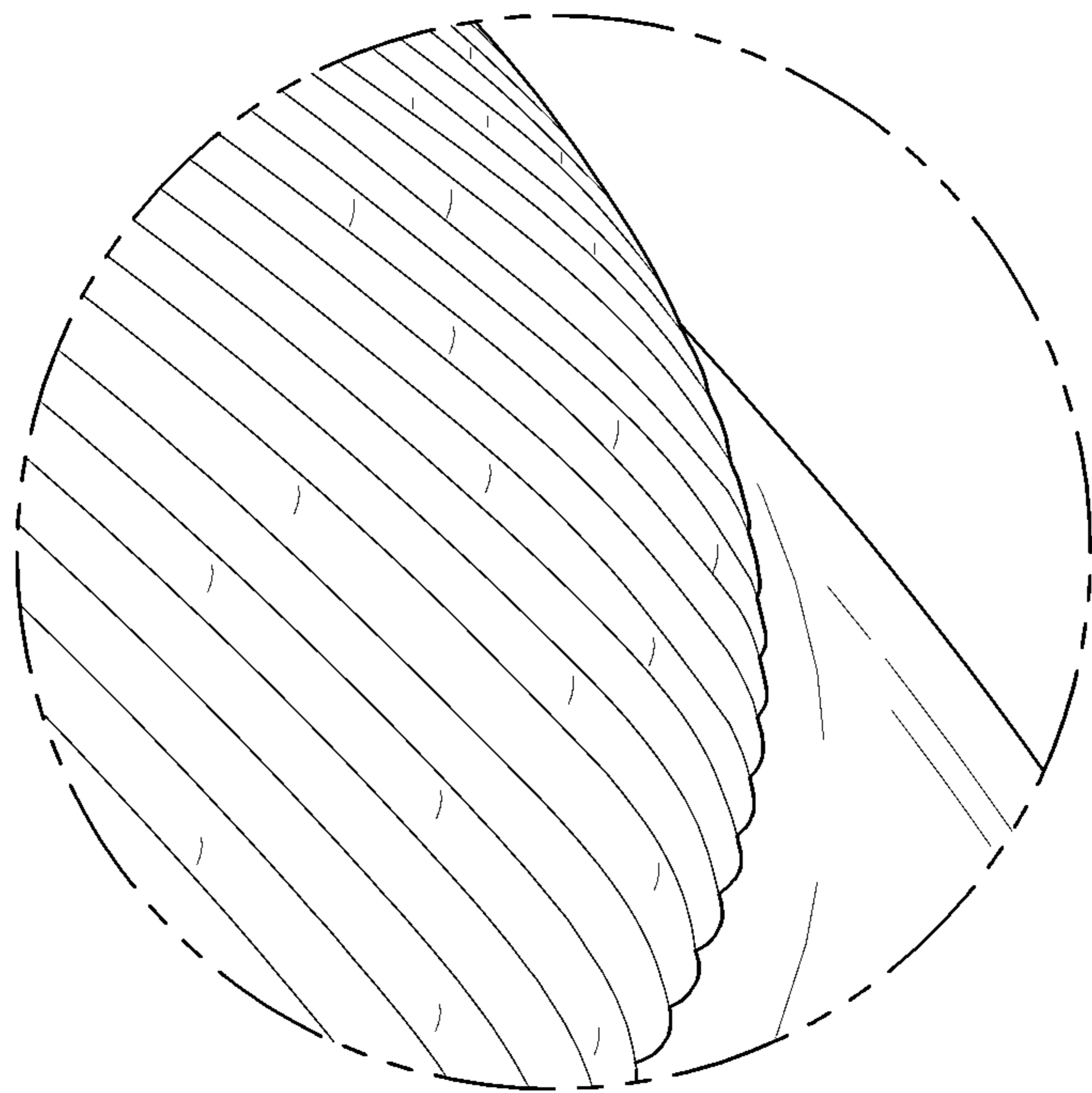


FIG. 9

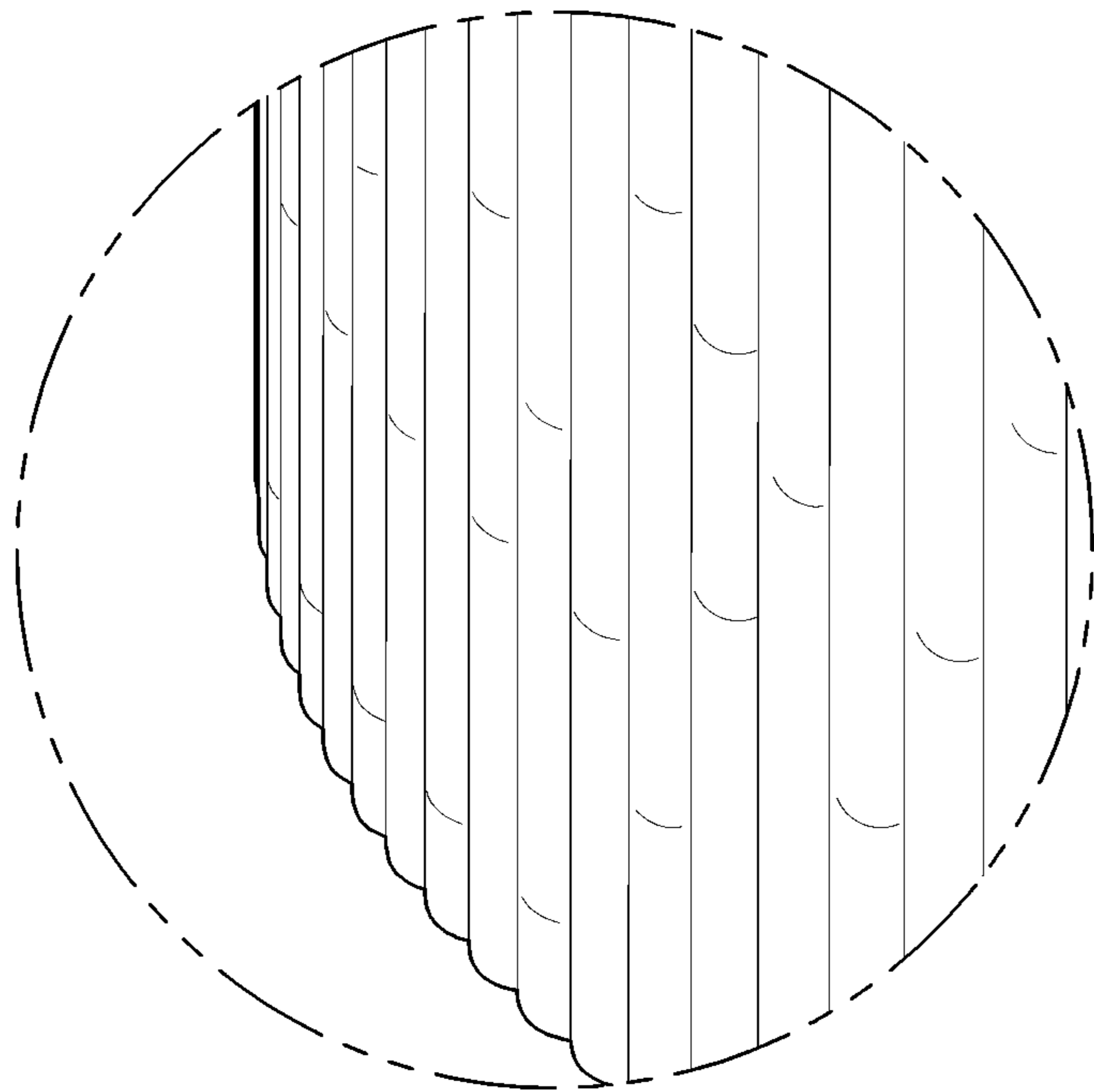


FIG. 10

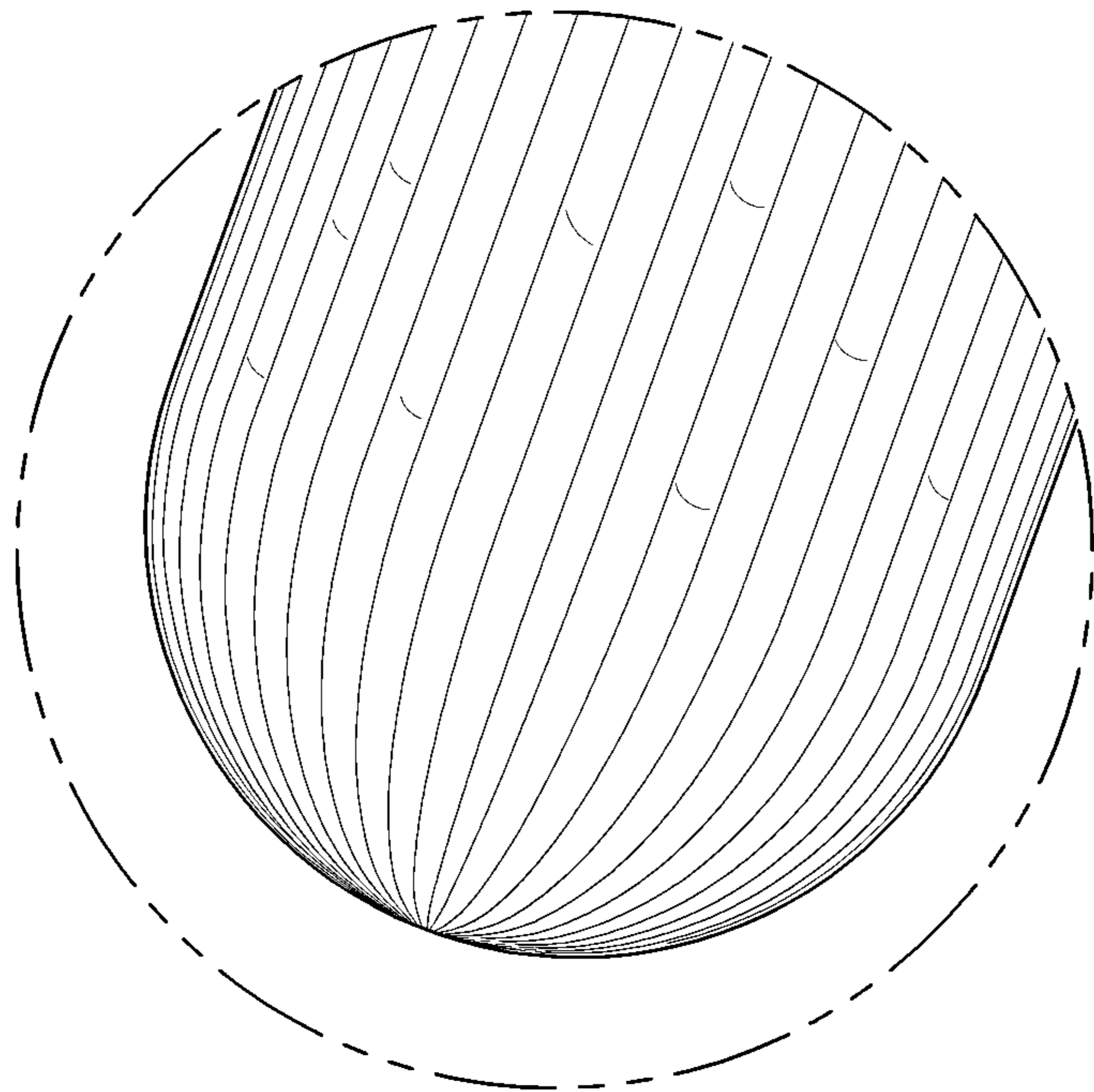




FIG. 11

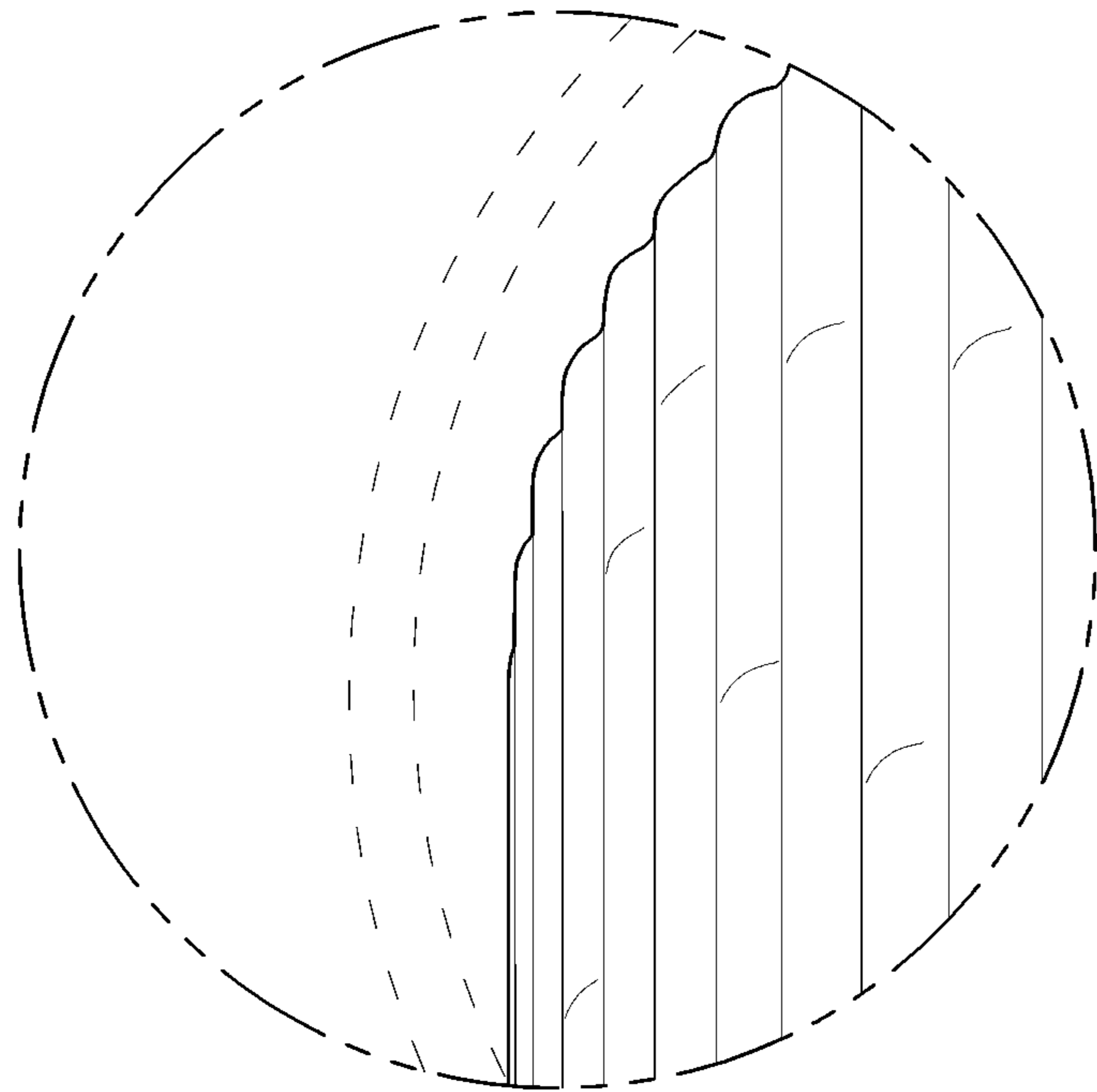


FIG. 12

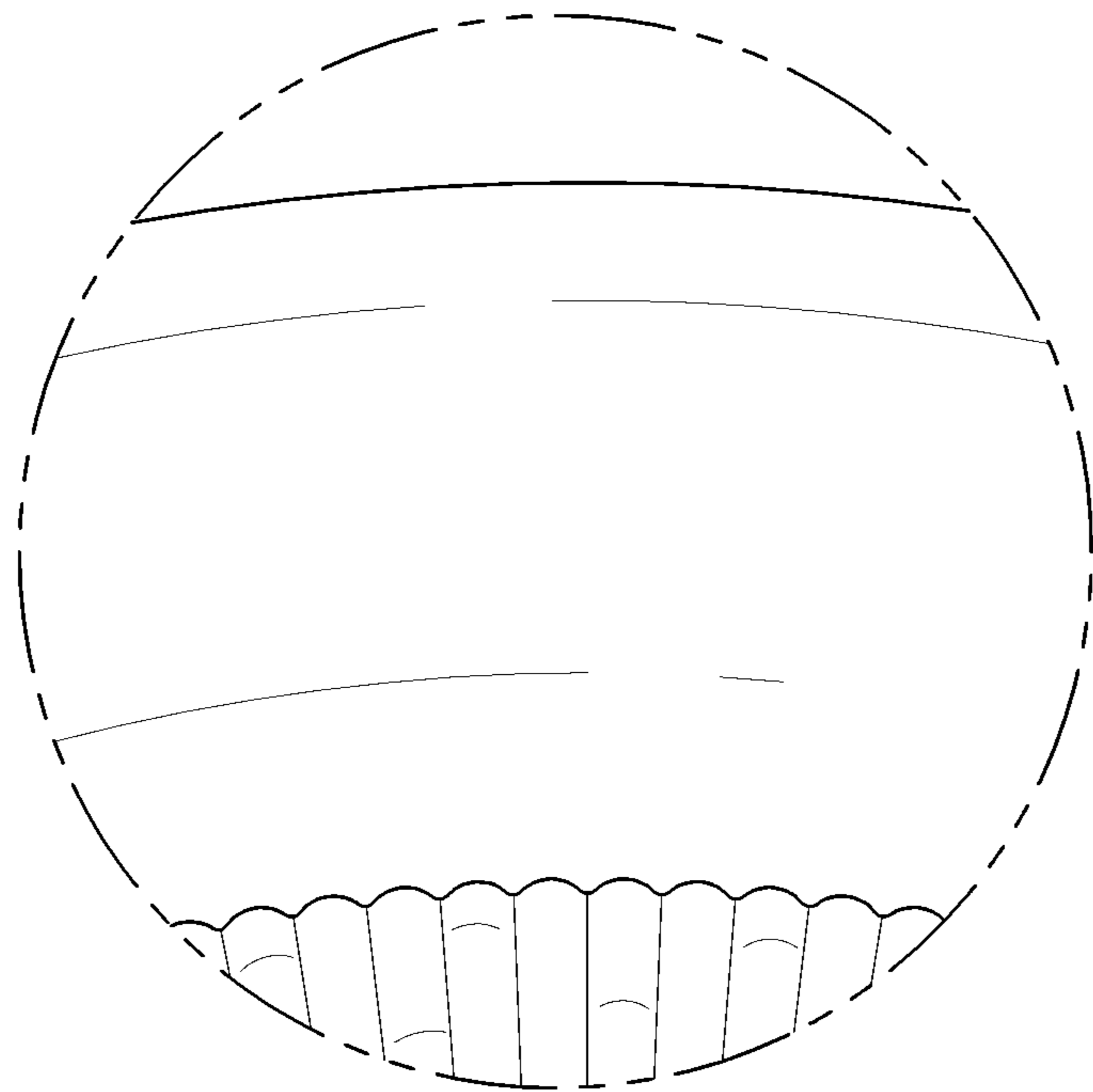


FIG. 13

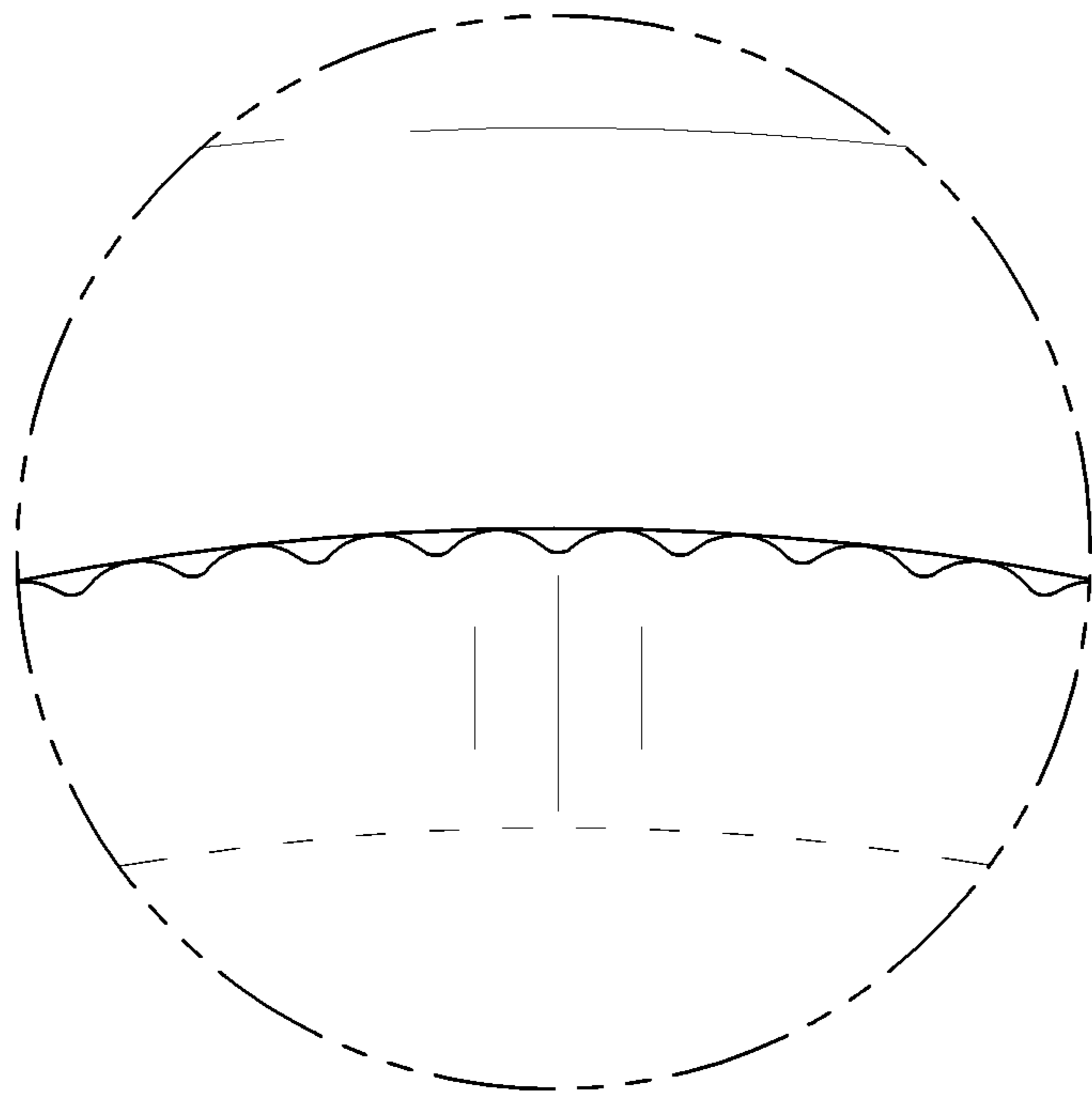


FIG. 14

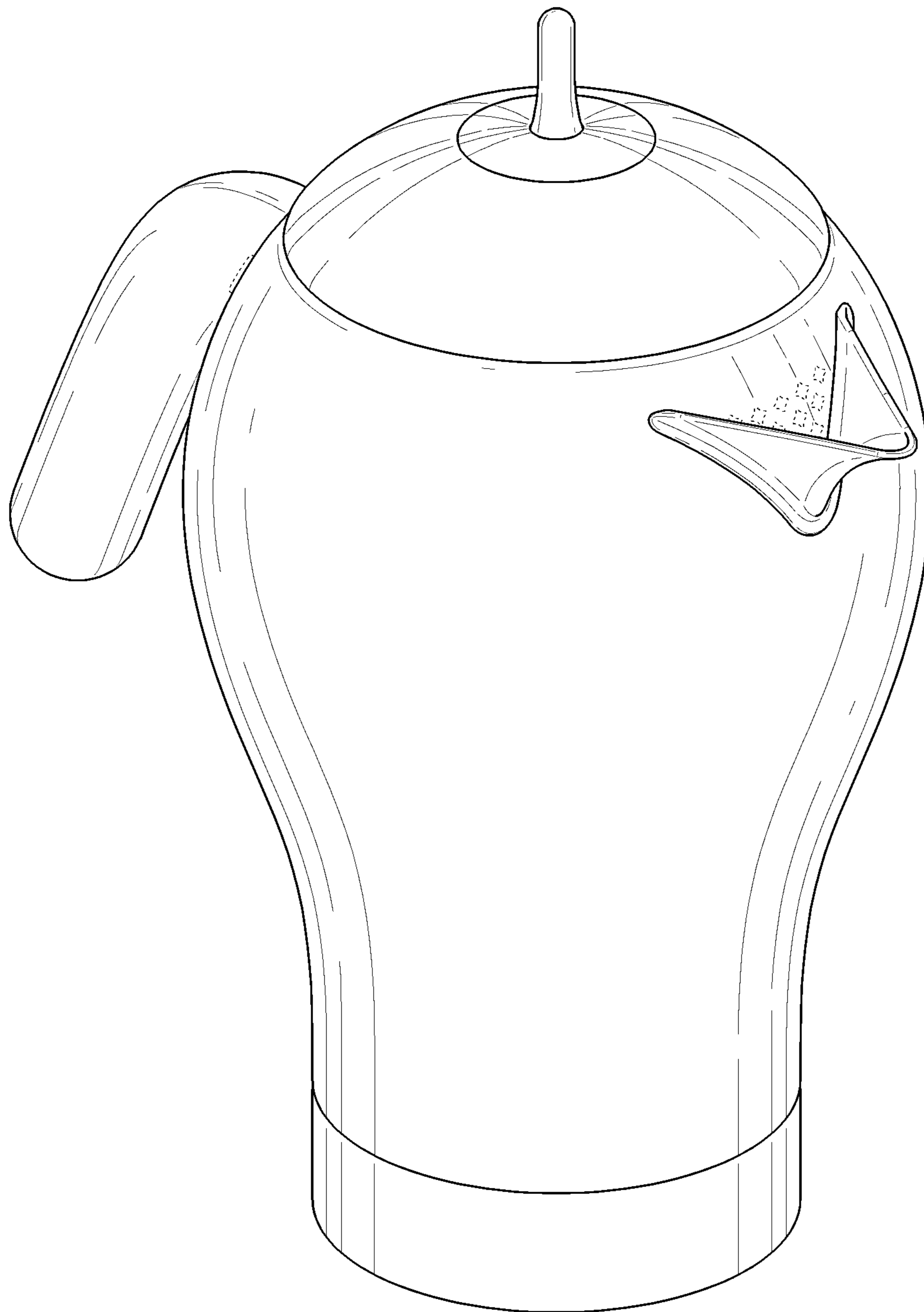




FIG. 15

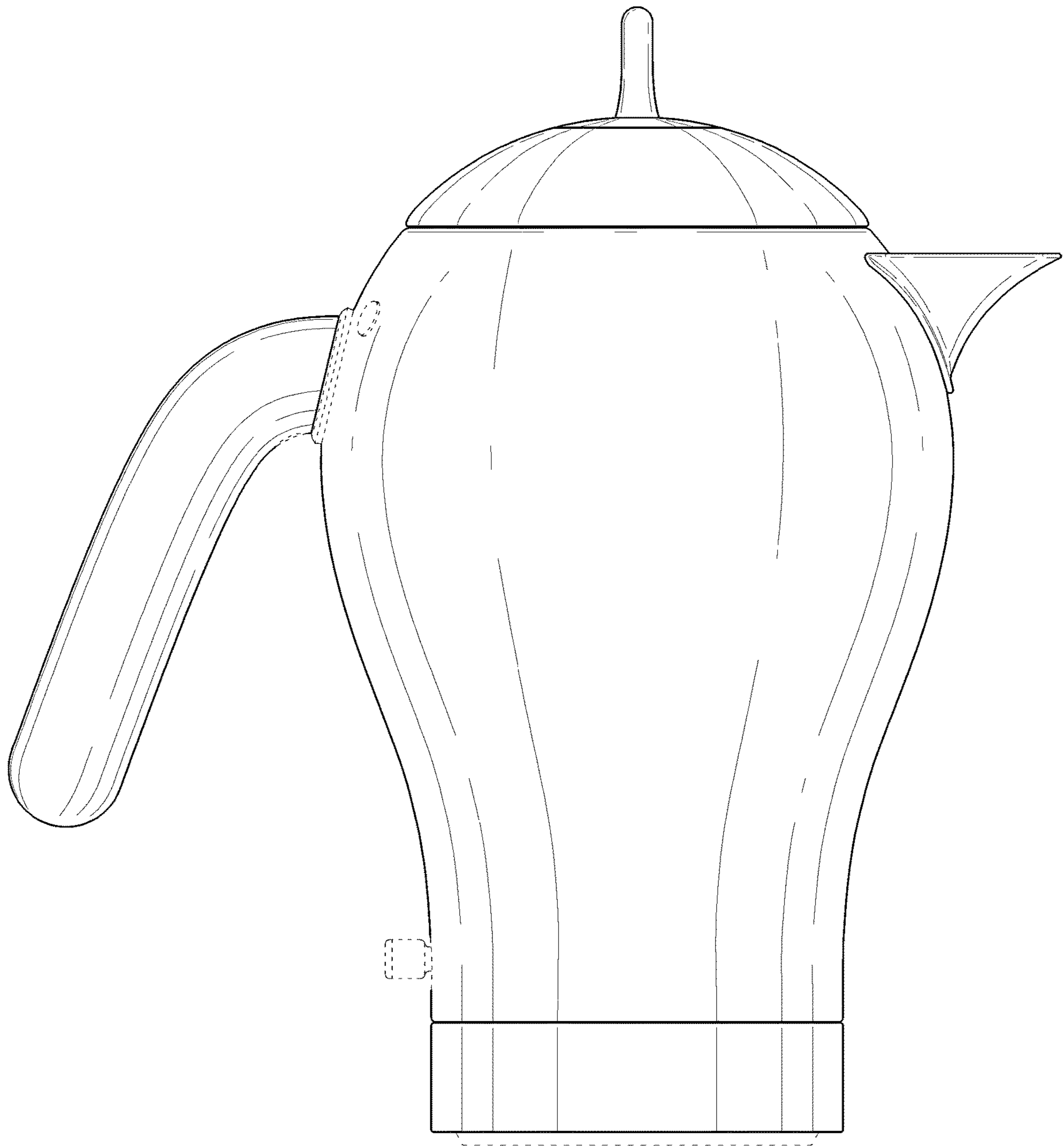


FIG. 16

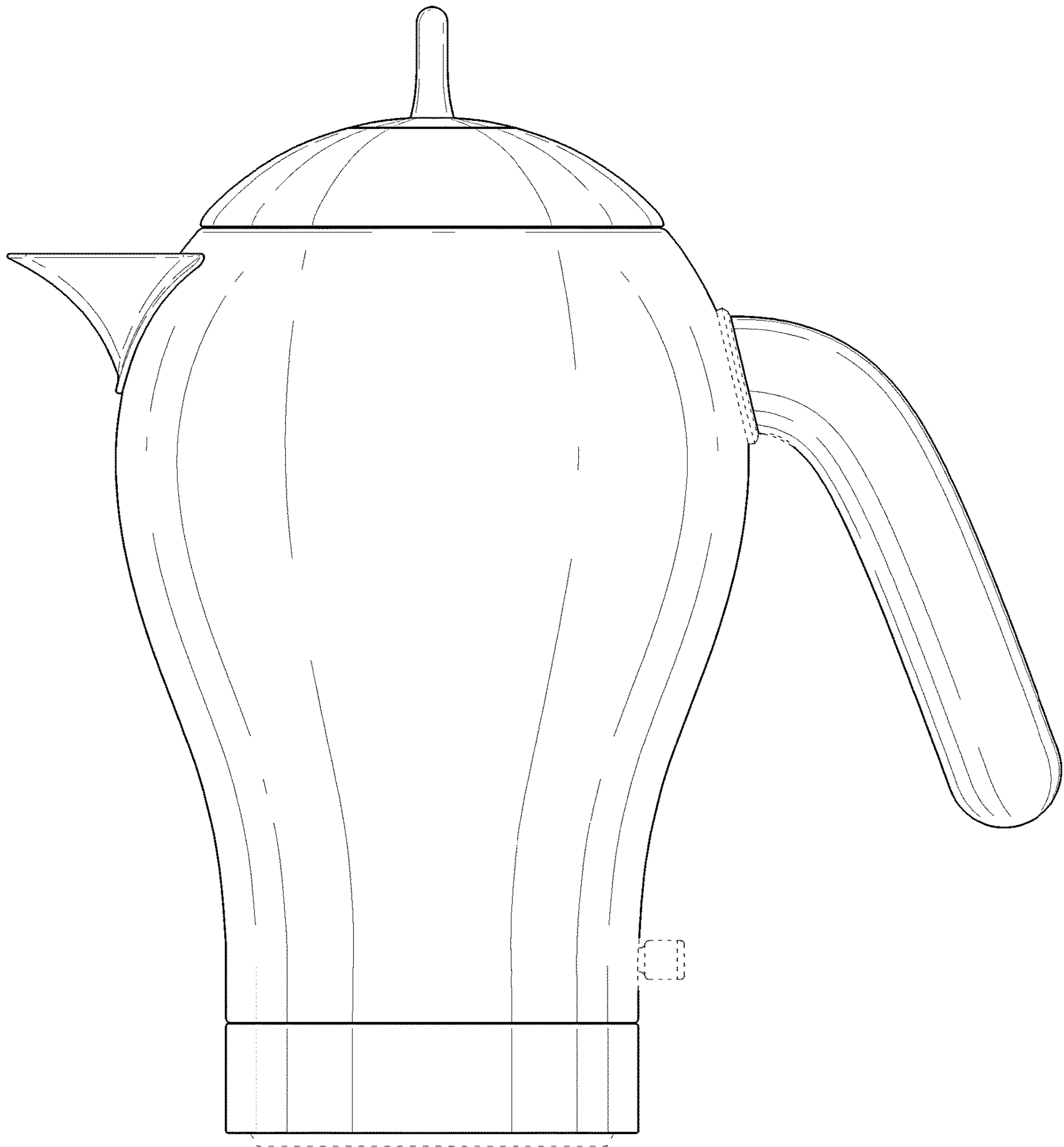


FIG. 17

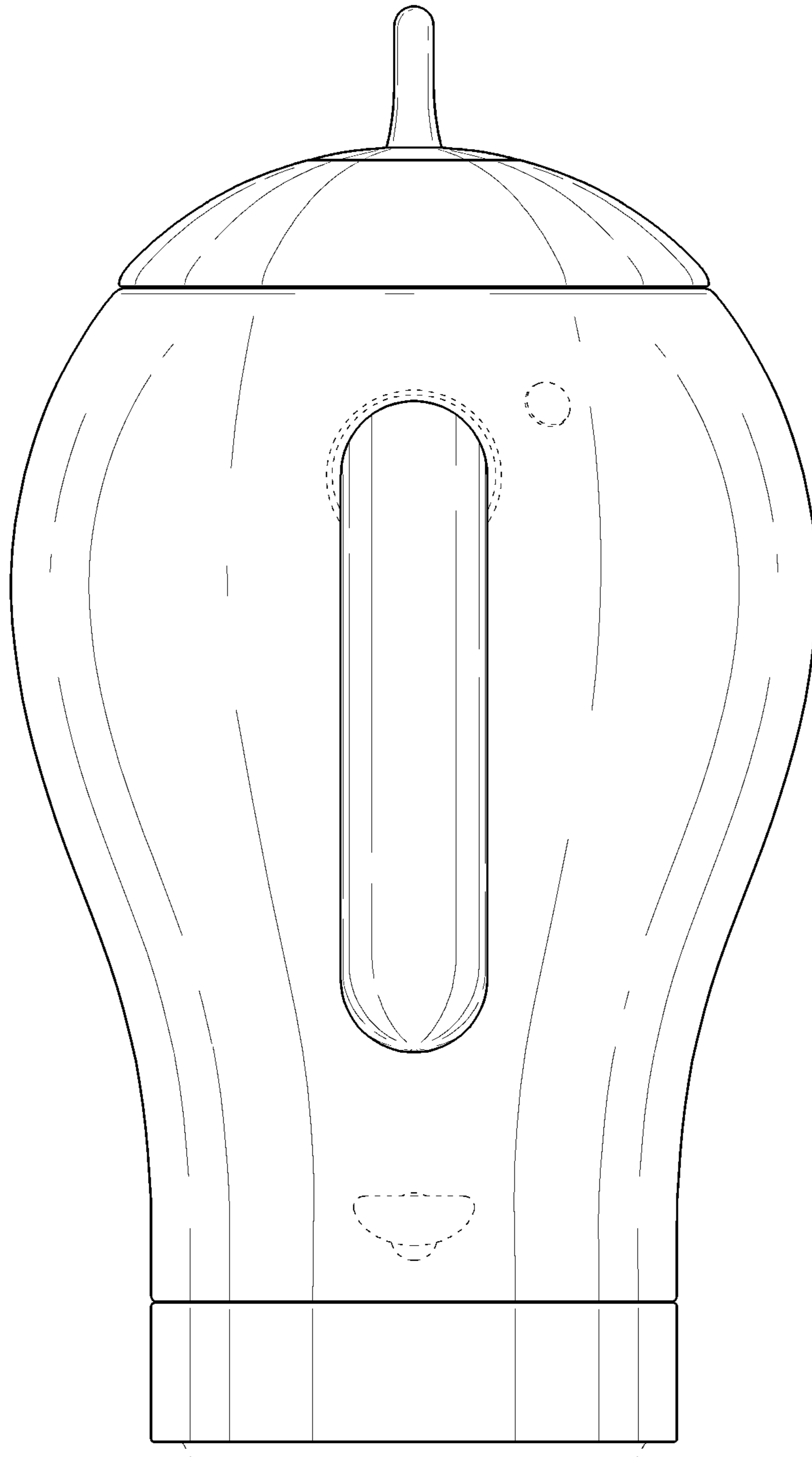


FIG. 18

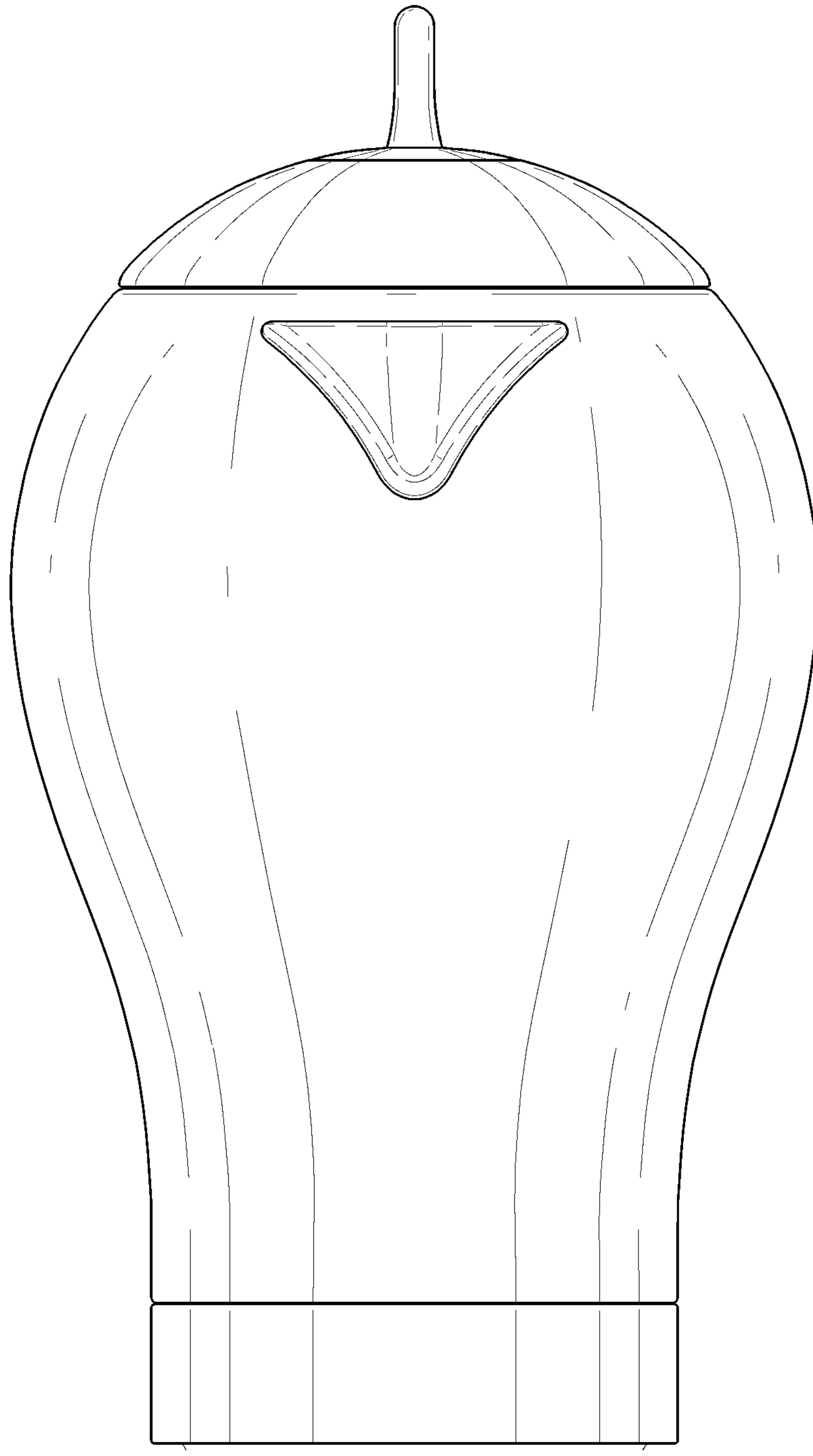




FIG. 19

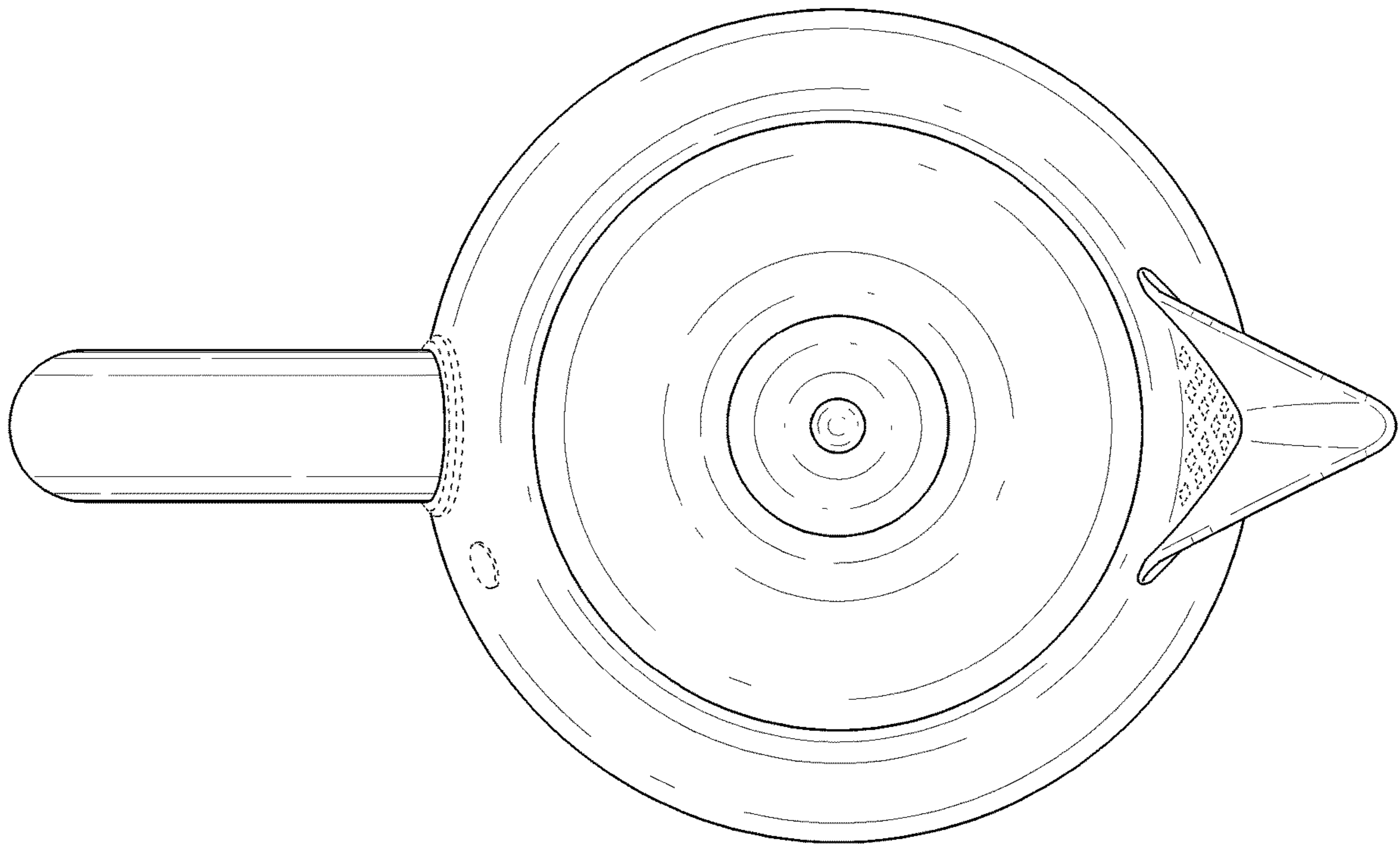


FIG. 20

