



US00D959183S

(12) **United States Design Patent**  
**Long**

(10) **Patent No.:** **US D959,183 S**

(45) **Date of Patent:** **\*\* Aug. 2, 2022**

(54) **BACK SUPPORT FOR VEHICLE SEATS**

(56) **References Cited**

(71) Applicant: **Shenzhen Longxin Industrial Co., Ltd.**, Shenzhen (CN)

U.S. PATENT DOCUMENTS

(72) Inventor: **Fang Long**, Shenzhen (CN)

2,075,821 A \* 4/1937 Meyers ..... B60N 2/643  
297/353

(\*\*) Term: **15 Years**

D377,283 S 1/1997 Su  
D736,551 S \* 8/2015 Lai ..... D6/716.7

(21) Appl. No.: **29/803,338**

D909,782 S 2/2021 Harcup et al.

(22) Filed: **Aug. 12, 2021**

2017/0361733 A1\* 12/2017 Gage ..... B60N 2/666

(30) **Foreign Application Priority Data**

2018/0022238 A1\* 1/2018 Gonzalez Uribe ..... B60N 2/02  
297/325

Jul. 22, 2021 (CN) ..... 202130468964.X

\* cited by examiner

(51) **LOC (13) Cl.** ..... **06-01**

*Primary Examiner* — Mimosa De

(52) **U.S. Cl.**

(57) **CLAIM**

USPC ..... **D6/716.7**

The ornamental design for a back support for vehicle seats, as shown and described.

(58) **Field of Classification Search**

**DESCRIPTION**

USPC ..... D6/334-336, 364, 365, 366, 367, 372,  
D6/373, 374, 375, 716, 716.1, 716.4,  
D6/716.7

FIG. 1 is a top, front and left perspective view of a back support for vehicle seats showing my new design;

FIG. 2 is a front view thereof;

FIG. 3 is a rear view thereof;

FIG. 4 is a left side view thereof;

FIG. 5 is a right side view thereof;

FIG. 6 is a top plan view thereof; and,

FIG. 7 is a bottom plan view thereof.

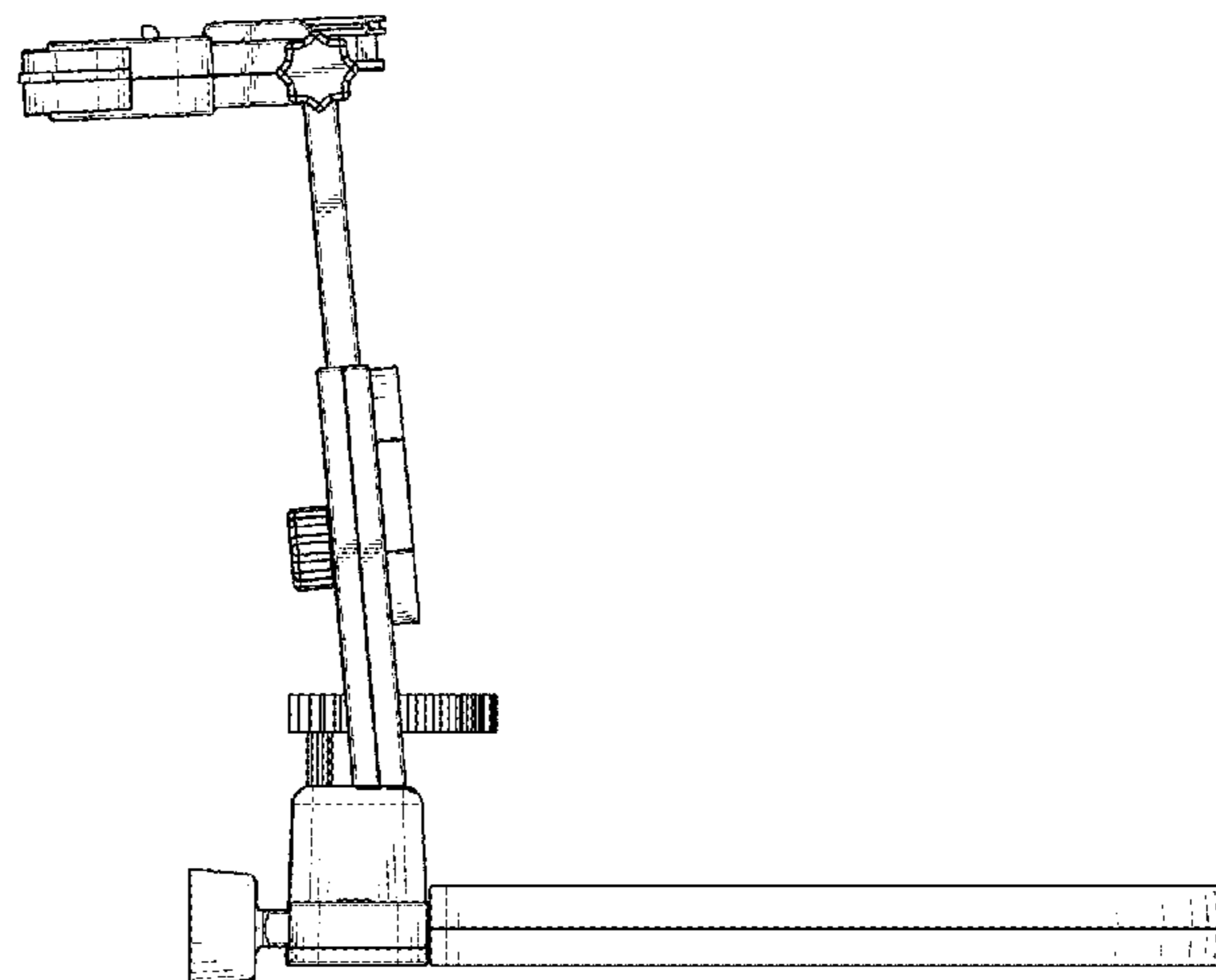
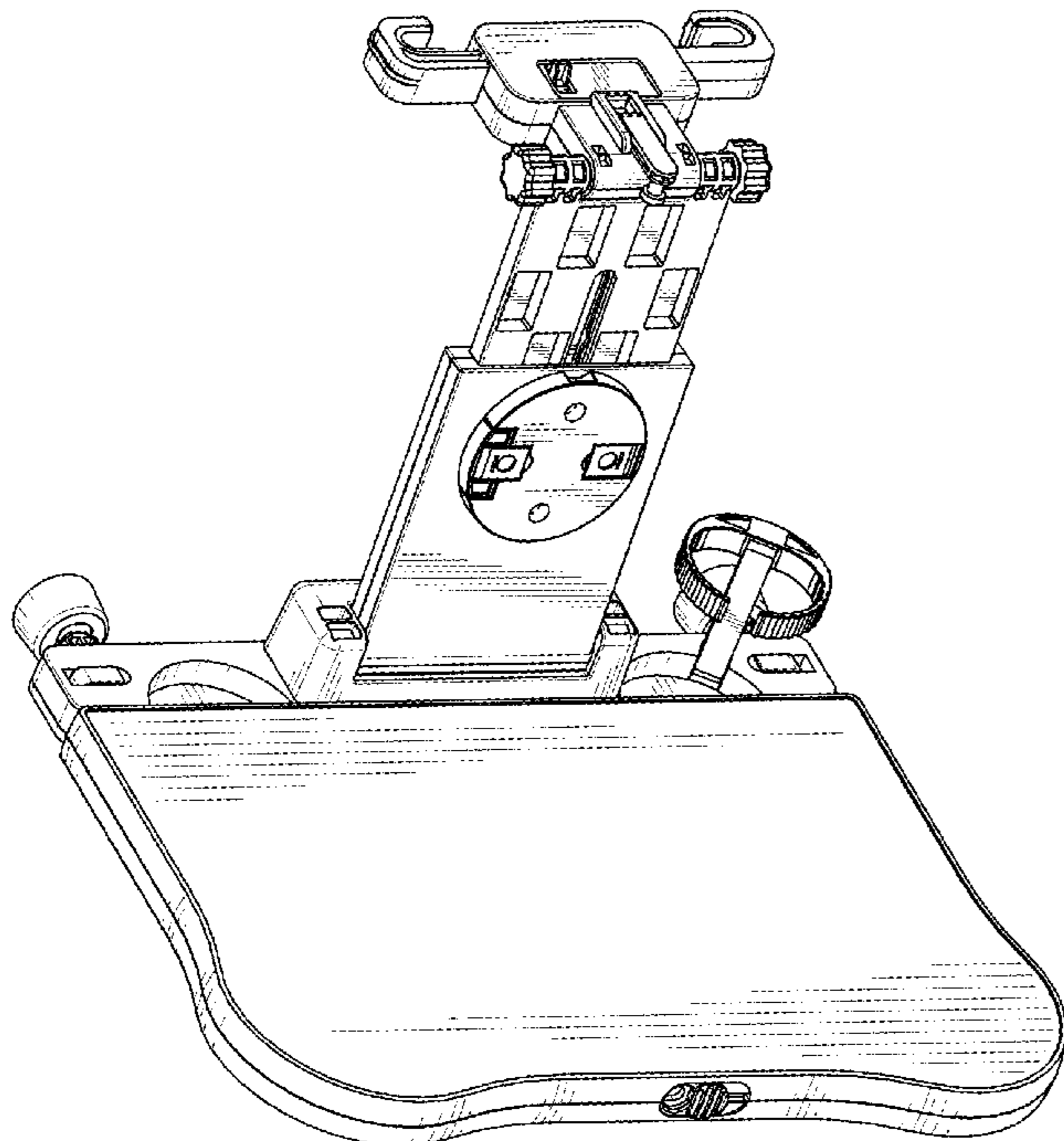
The broken lines in the figures illustrate portions of the back support

for vehicle seats that form no part of the claimed design.

CPC ..... B60N 2/00; B60N 2/2222; B60N 2/64;  
B60N 2/643; B60N 2/646; B60N 2/68;  
B60N 2/682; B60N 2/686; B60N 2/02;  
B60N 2/06; B60N 2/30; B60N 2/3002;  
B60N 2/3006; B60N 2/10; B60N 2/16;  
B60N 2/666

See application file for complete search history.

**1 Claim, 7 Drawing Sheets**



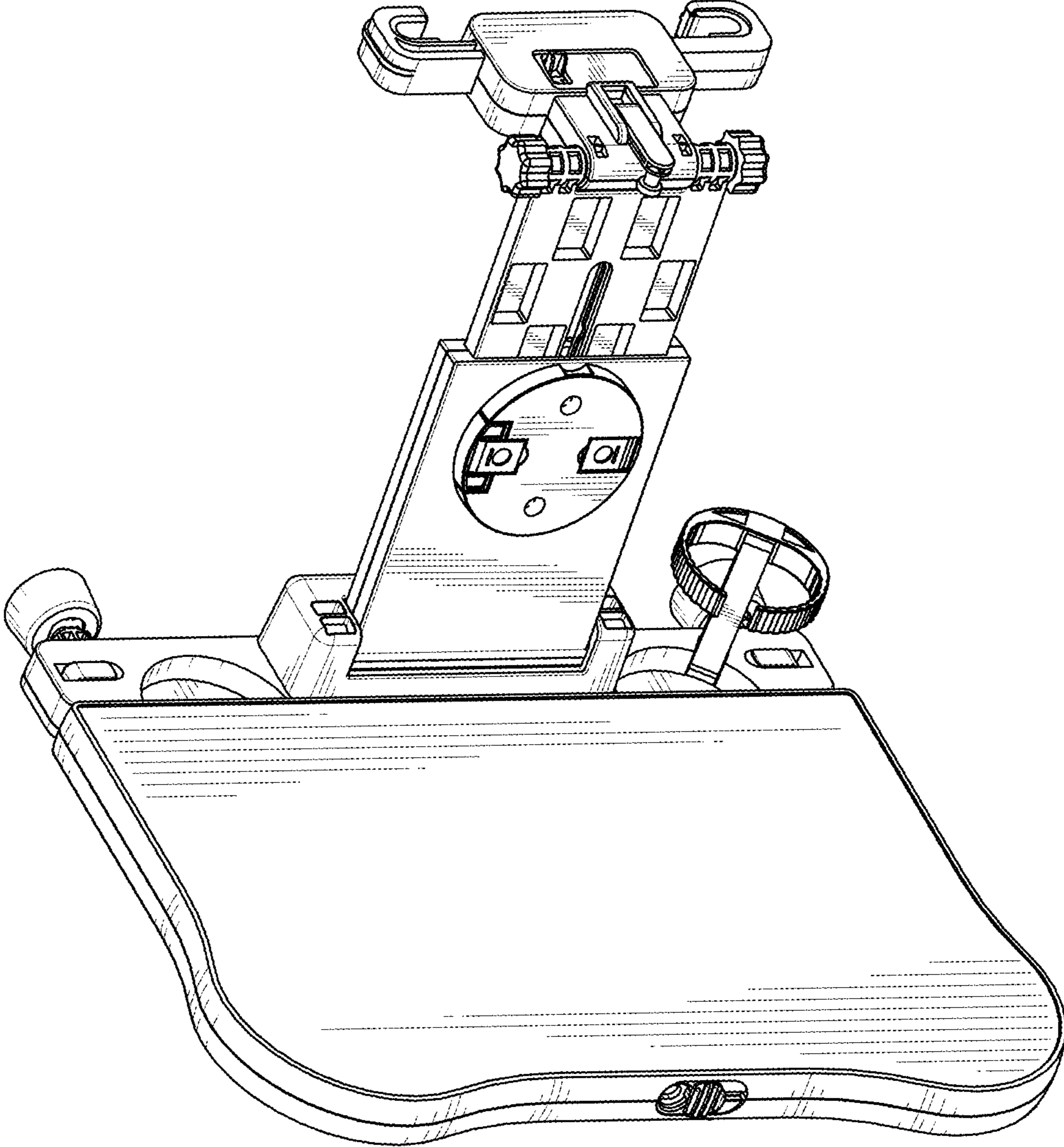


FIG. 1

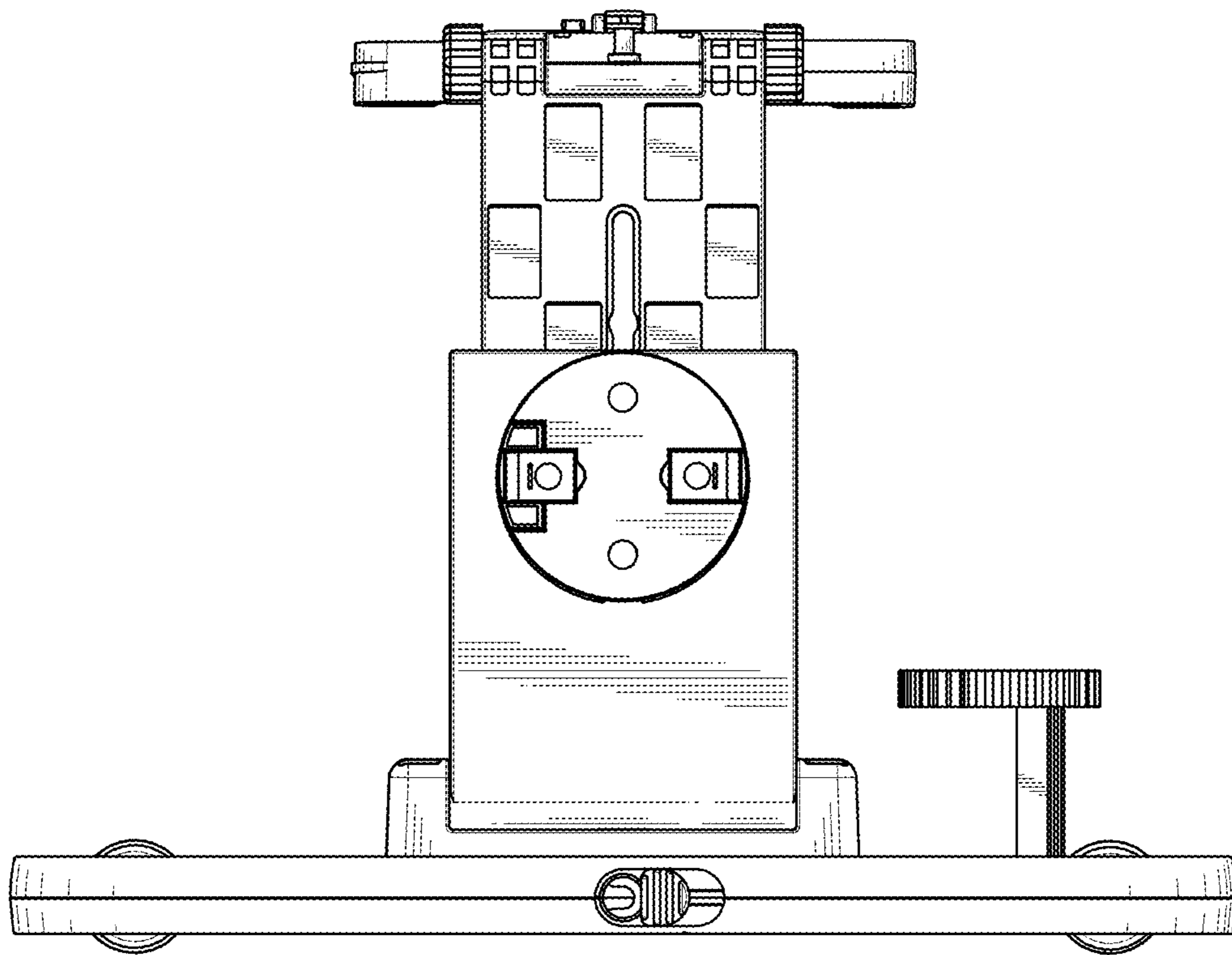


FIG. 2

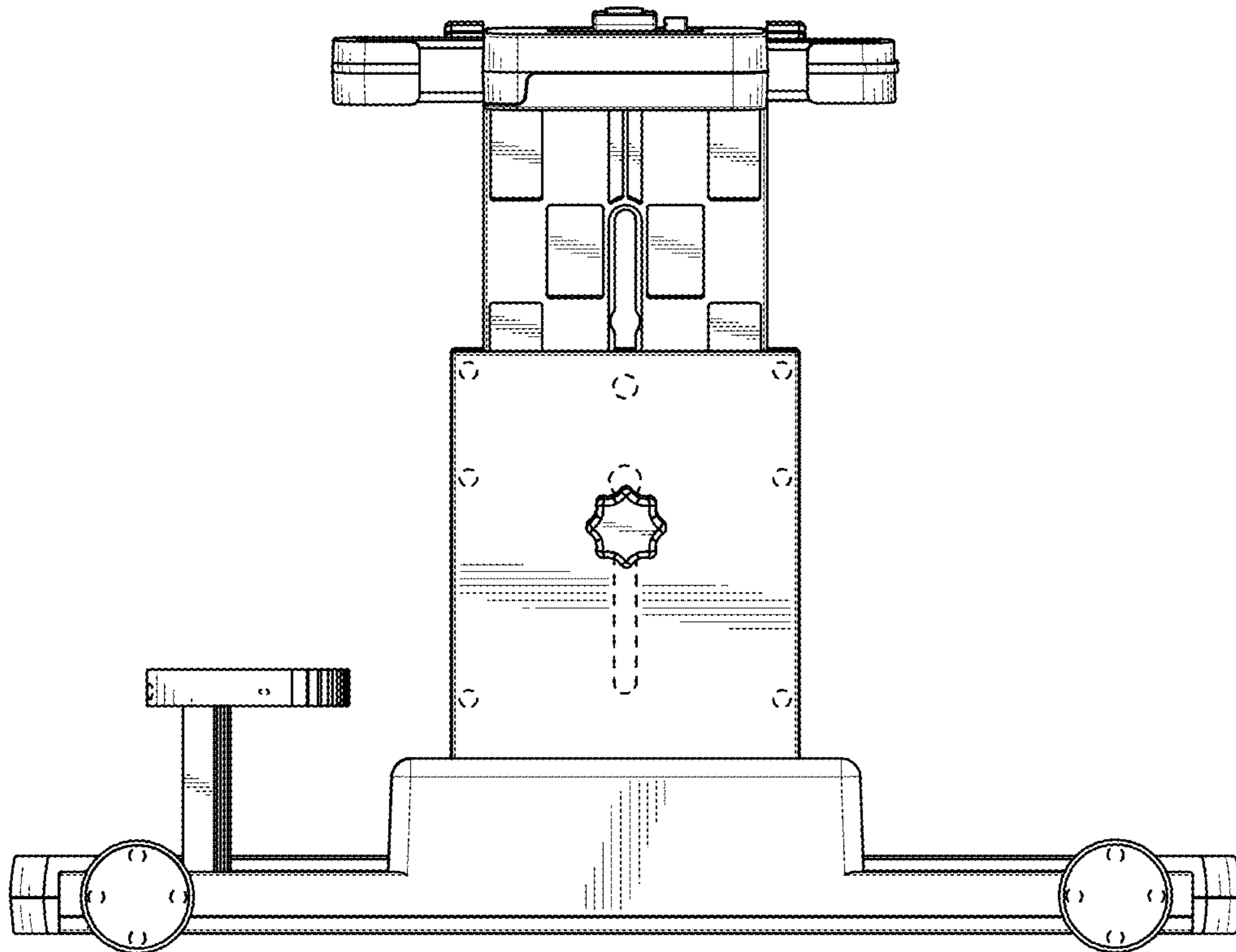


FIG. 3

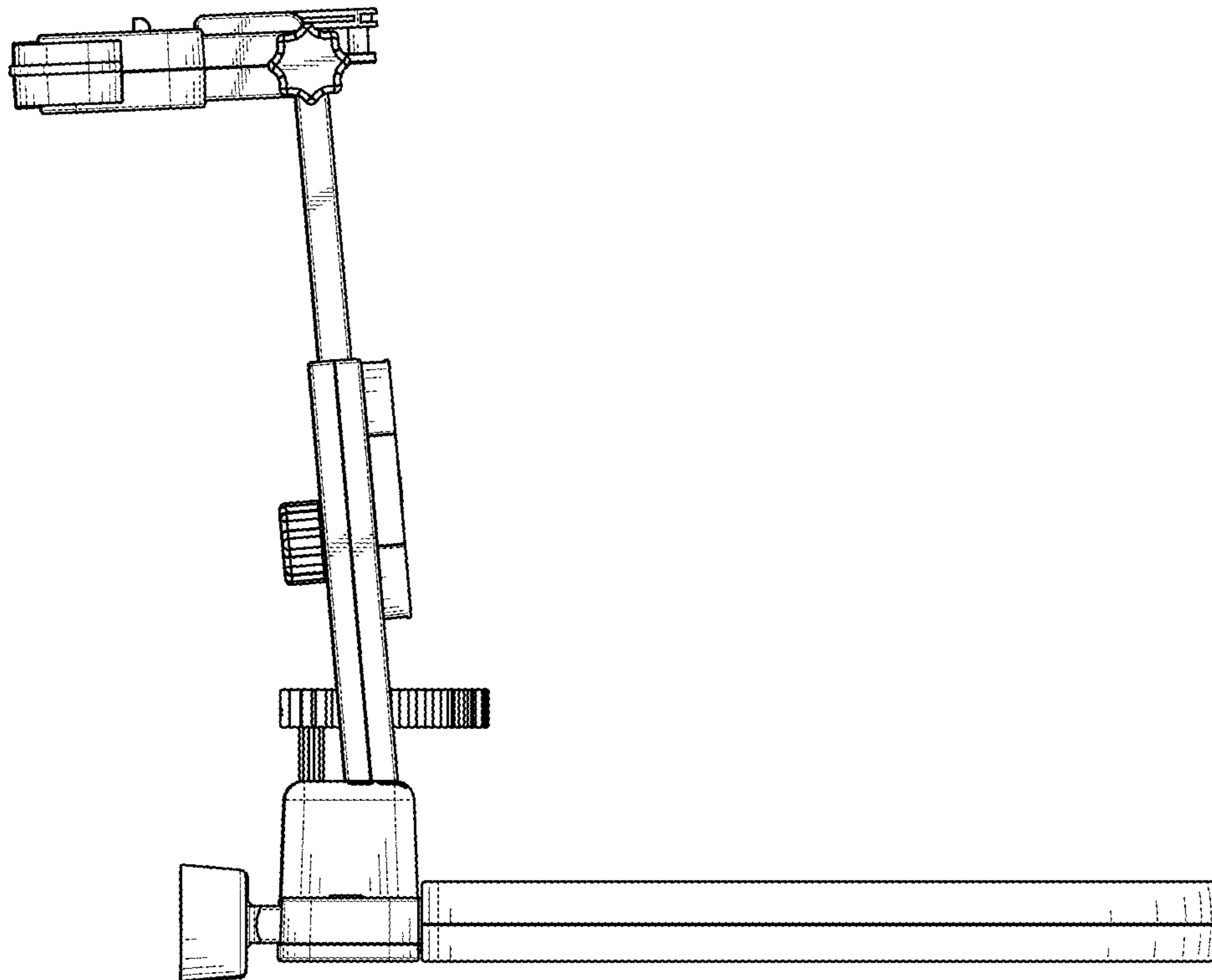


FIG. 4

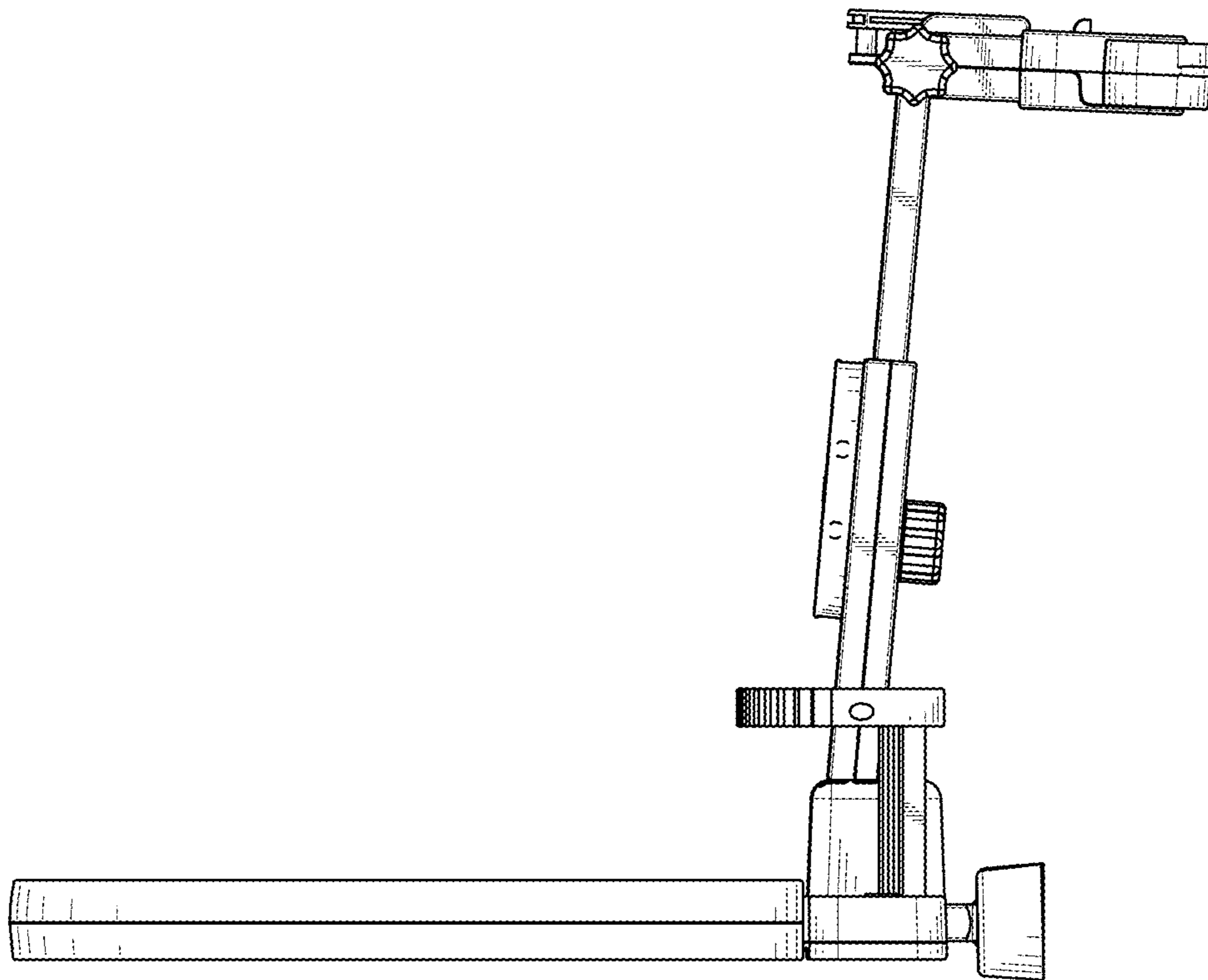


FIG. 5

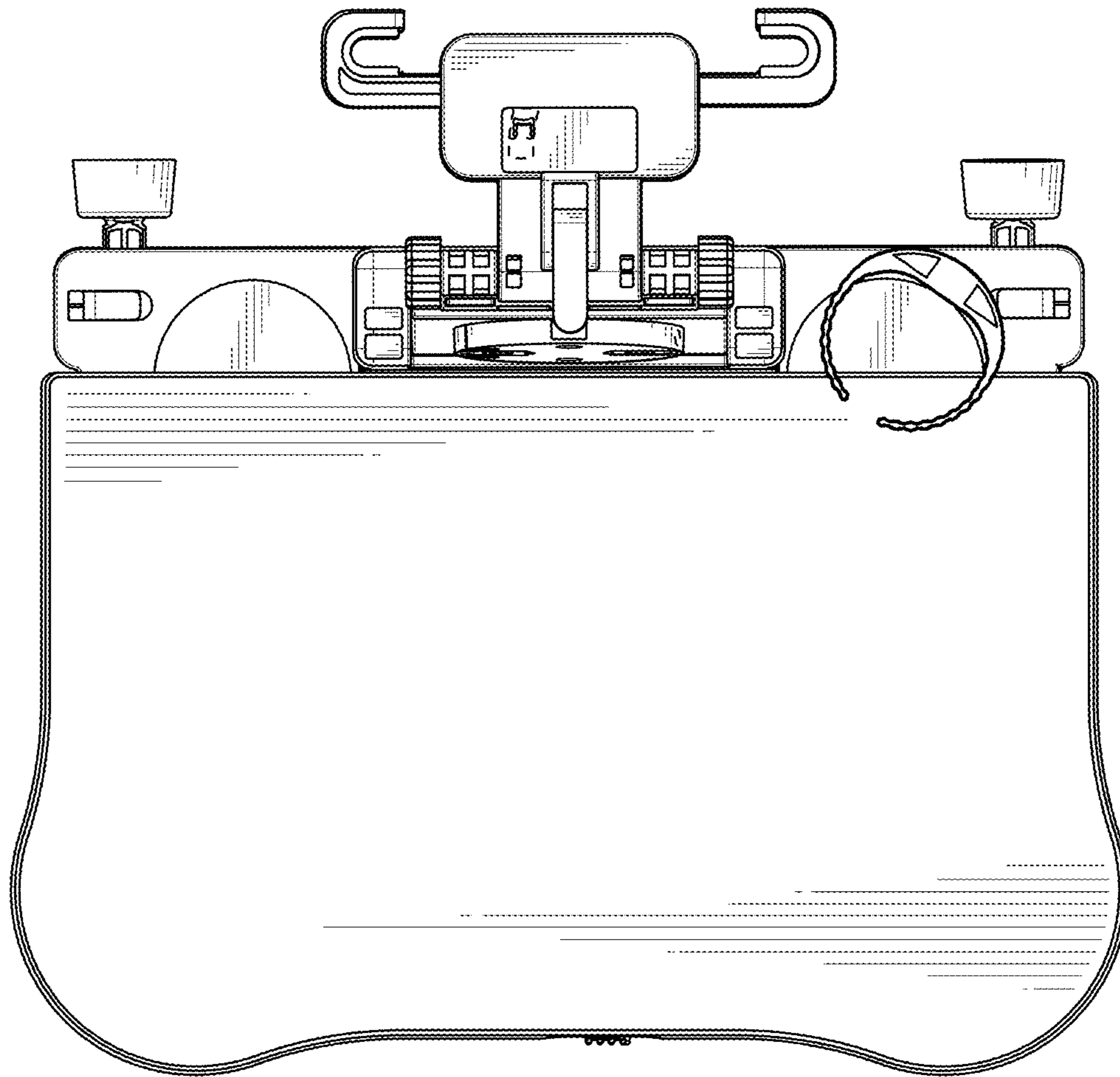


FIG. 6

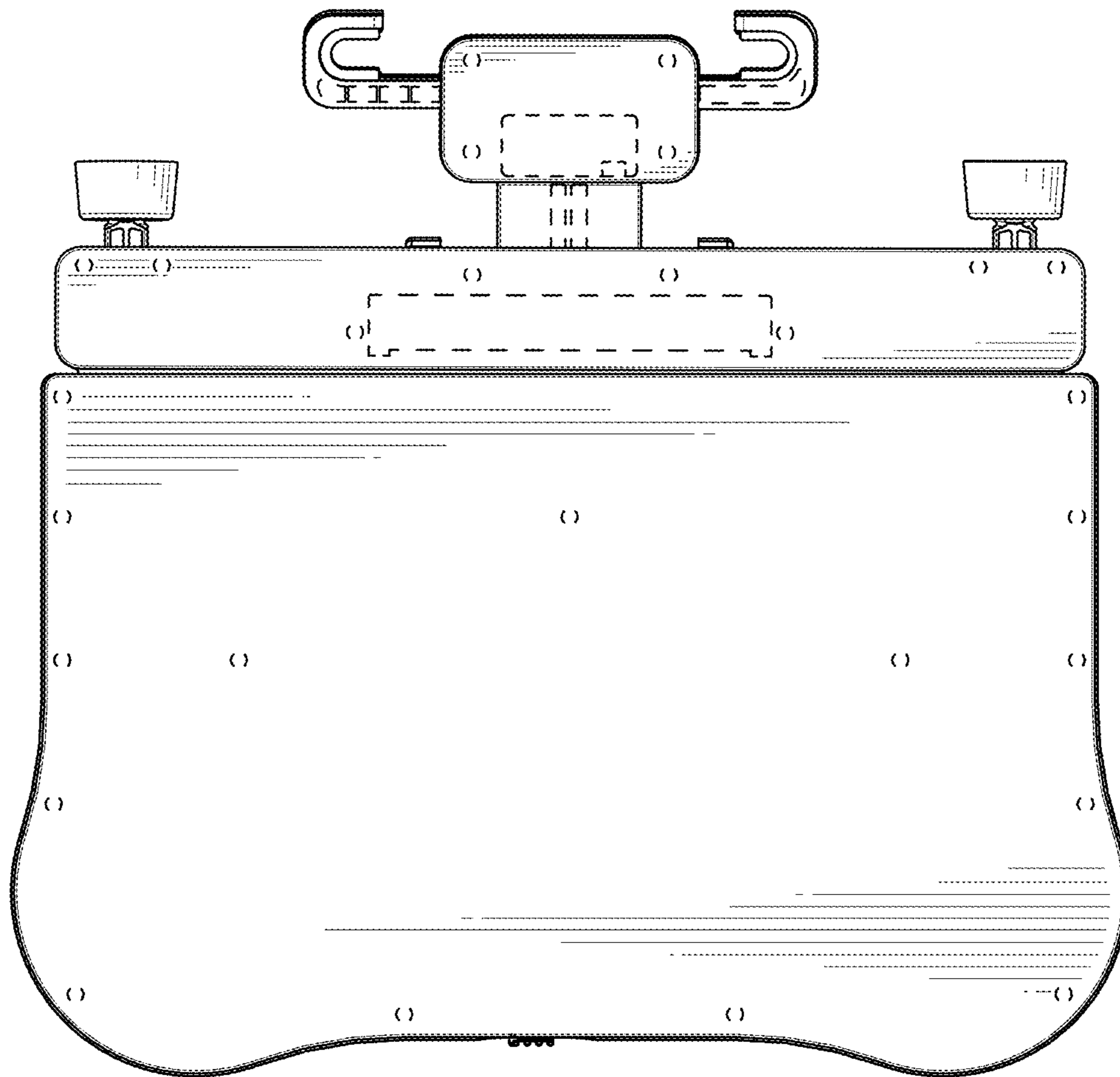


FIG. 7