

US00D959179S

(12) **United States Design Patent**
Deng

(10) **Patent No.:** **US D959,179 S**

(45) **Date of Patent:** **** Aug. 2, 2022**

- (54) **MUSICAL INSTRUMENT STAND**
- (71) Applicant: **Ganxian Deng**, Shenzhen (CN)
- (72) Inventor: **Ganxian Deng**, Shenzhen (CN)
- (**) Term: **15 Years**
- (21) Appl. No.: **29/802,414**
- (22) Filed: **Aug. 5, 2021**
- (51) **LOC (13) Cl.** **06-06**
- (52) **U.S. Cl.**
USPC **D6/682**
- (58) **Field of Classification Search**
USPC D6/675, 682, 682.2, 700-701; D17/14,
D17/20; D3/204
CPC . A47B 19/002; A47B 2019/004; A47B 19/02;
G10G 5/00; G10G 5/005; A47F 5/0018;
A47F 5/16
See application file for complete search history.

D482,904 S *	12/2003	Slaymaker	D6/310
D511,427 S *	11/2005	Meuniot	F16M 11/22
				D6/682
D538,554 S *	3/2007	Tai	D6/682
D596,875 S *	7/2009	Small	D6/682
D769,655 S *	10/2016	Horner, Jr.	D6/406.4
D791,520 S	7/2017	Hu		
D871,809 S *	1/2020	Kimura	D6/682
D894,648 S *	9/2020	Peng	D6/682
D917,938 S	5/2021	Dougherty et al.		

* cited by examiner

Primary Examiner — Kelley A Donnelly

(57) **CLAIM**

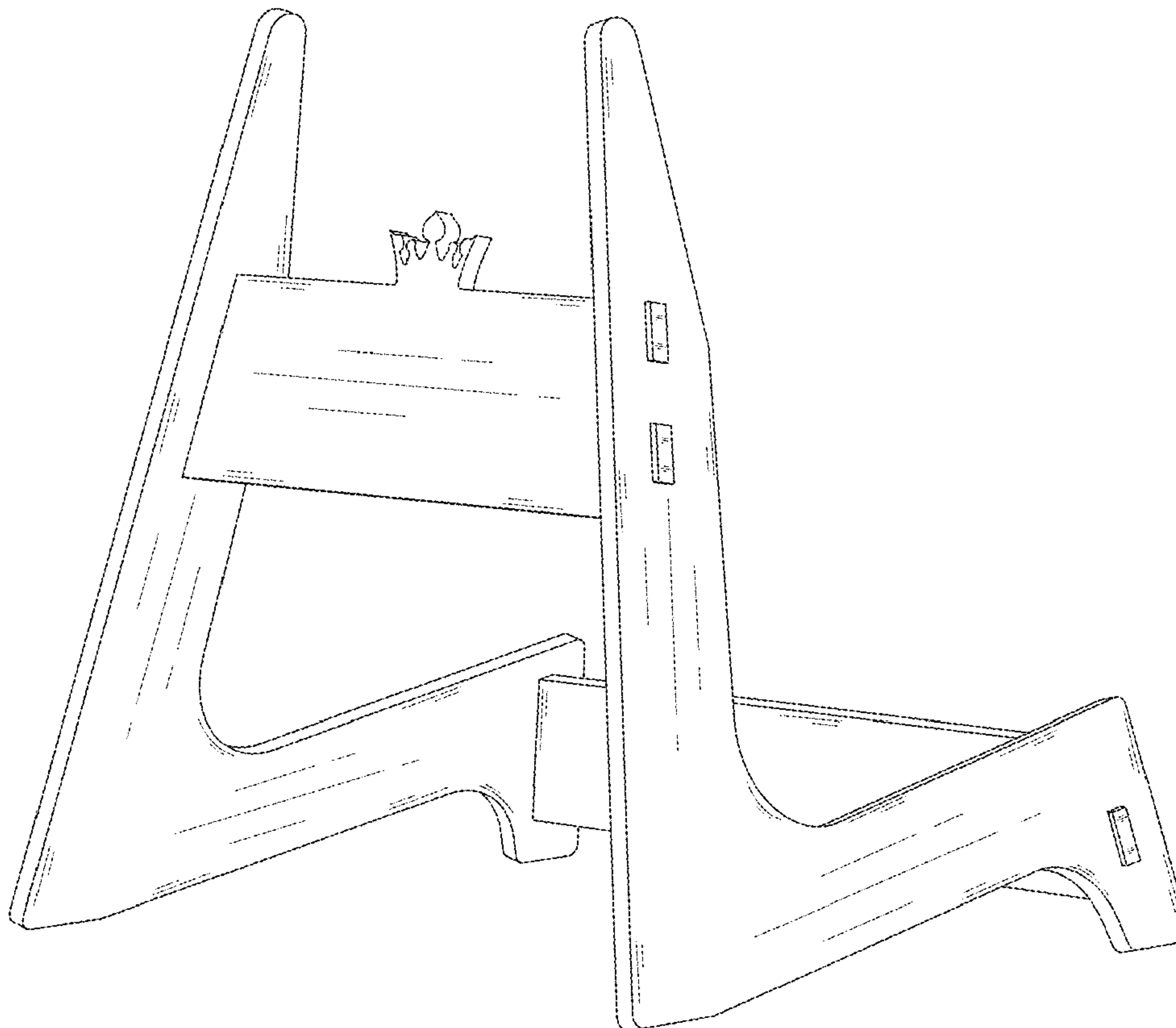
The ornamental design for a musical instrument stand, as shown and described.

DESCRIPTION

FIG. 1 is a perspective view of a musical instrument stand showing my new design;
 FIG. 2 is a front elevational view thereof;
 FIG. 3 is a rear elevational view thereof;
 FIG. 4 is a left side elevational view thereof;
 FIG. 5 is a right side elevational view thereof;
 FIG. 6 is a top plan view thereof; and,
 FIG. 7 is a bottom plan view thereof.

1 Claim, 7 Drawing Sheets

- (56) **References Cited**
U.S. PATENT DOCUMENTS
- D251,580 S * 4/1979 Harlow D19/91
- D265,873 S * 8/1982 Smith D19/91
- D296,843 S * 7/1988 Jessop D6/314
- D370,369 S * 6/1996 Nordstrom D17/99
- D394,291 S * 5/1998 Beltran D6/552
- D407,240 S * 3/1999 Payne D6/674
- D436,465 S * 1/2001 Berkman D17/99



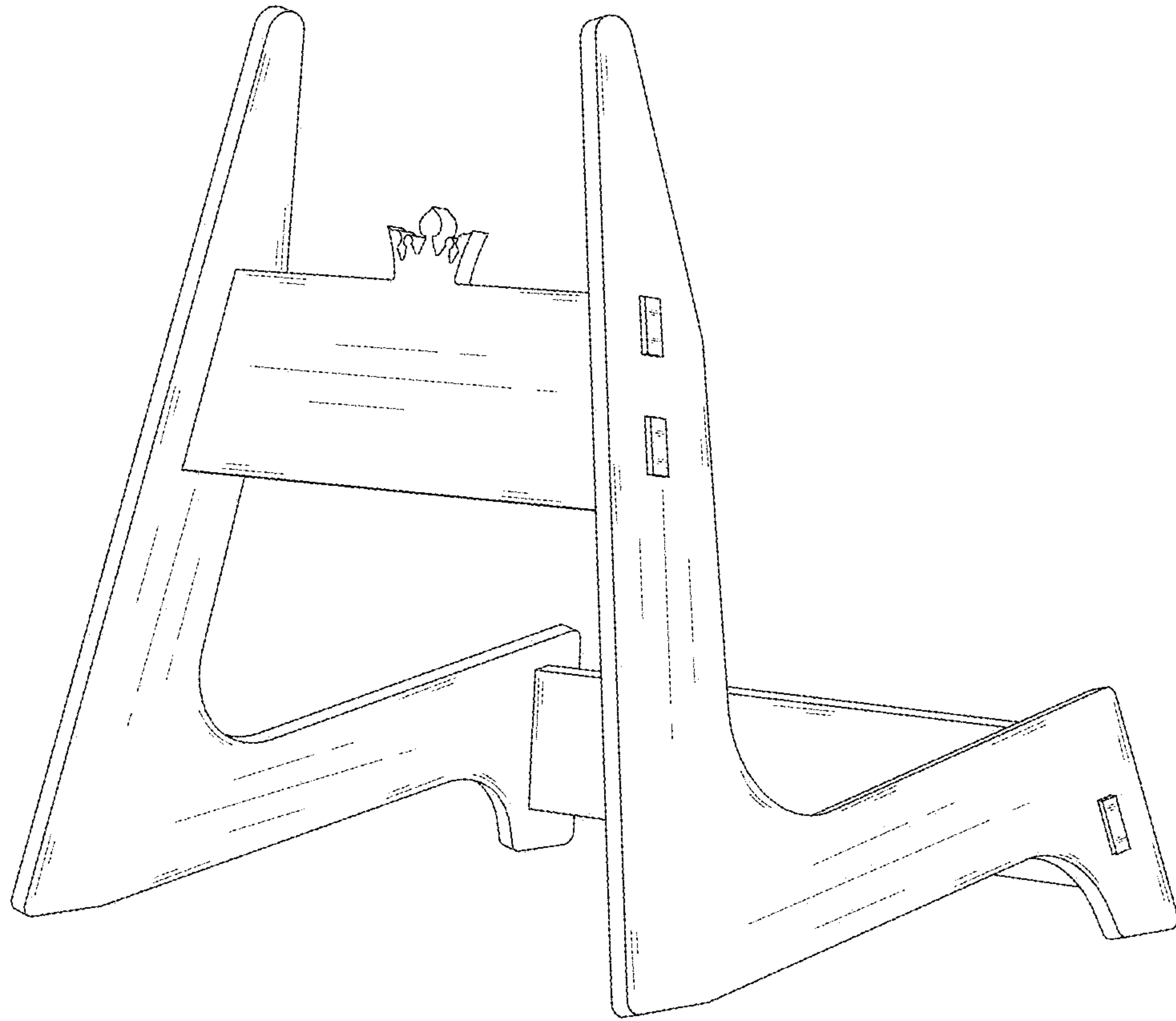


FIG. 1

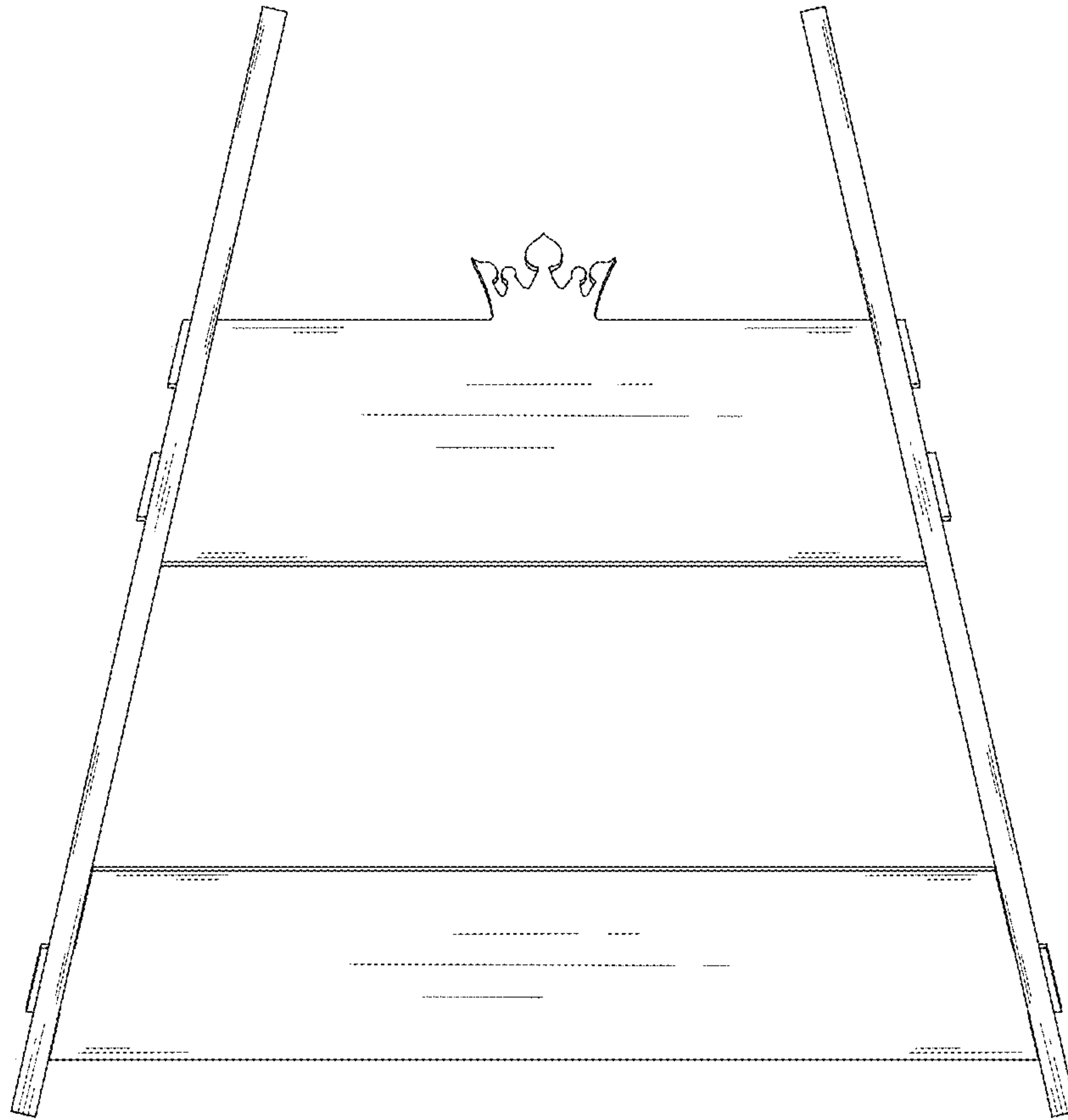


FIG. 2

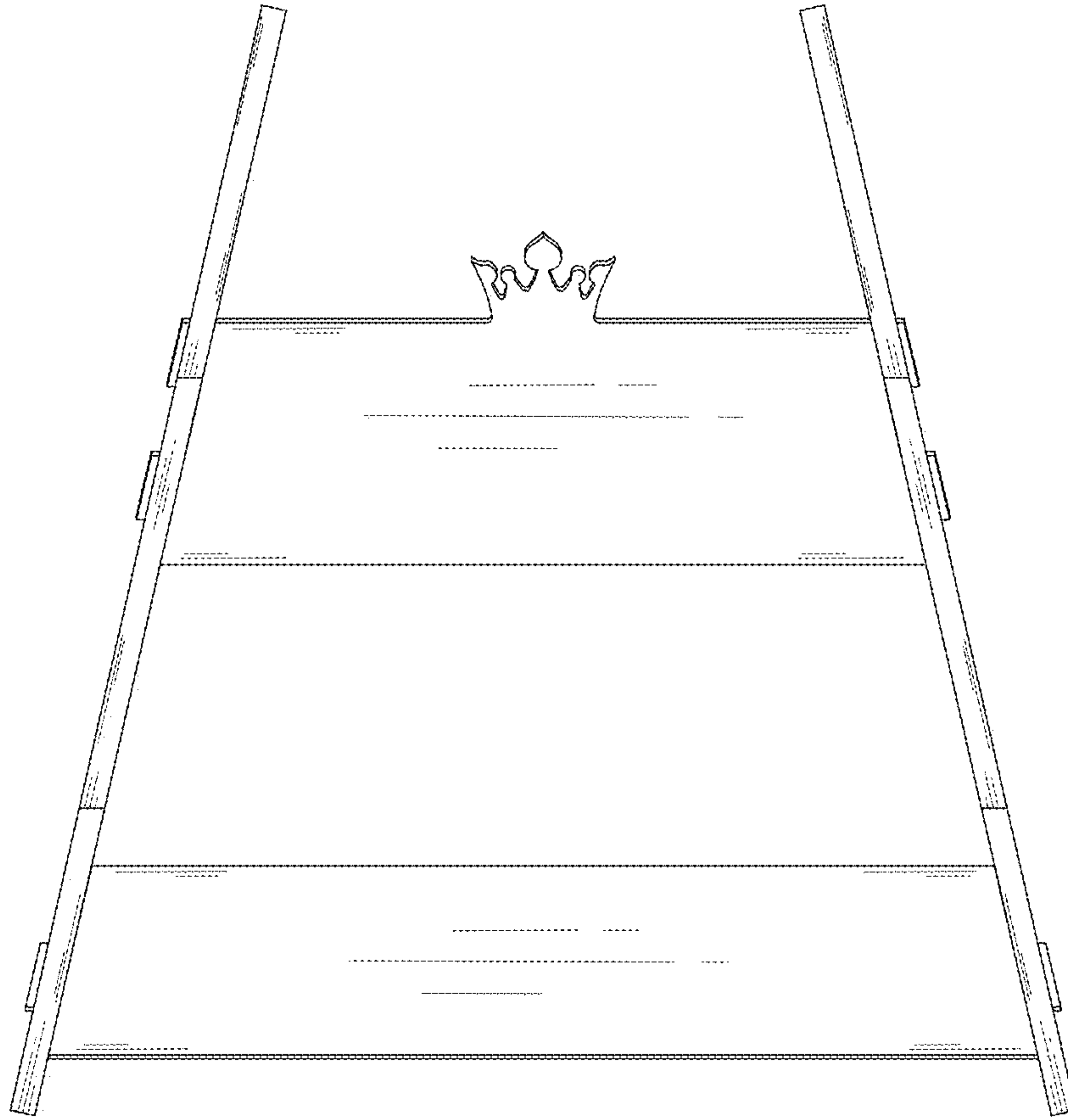


FIG. 3

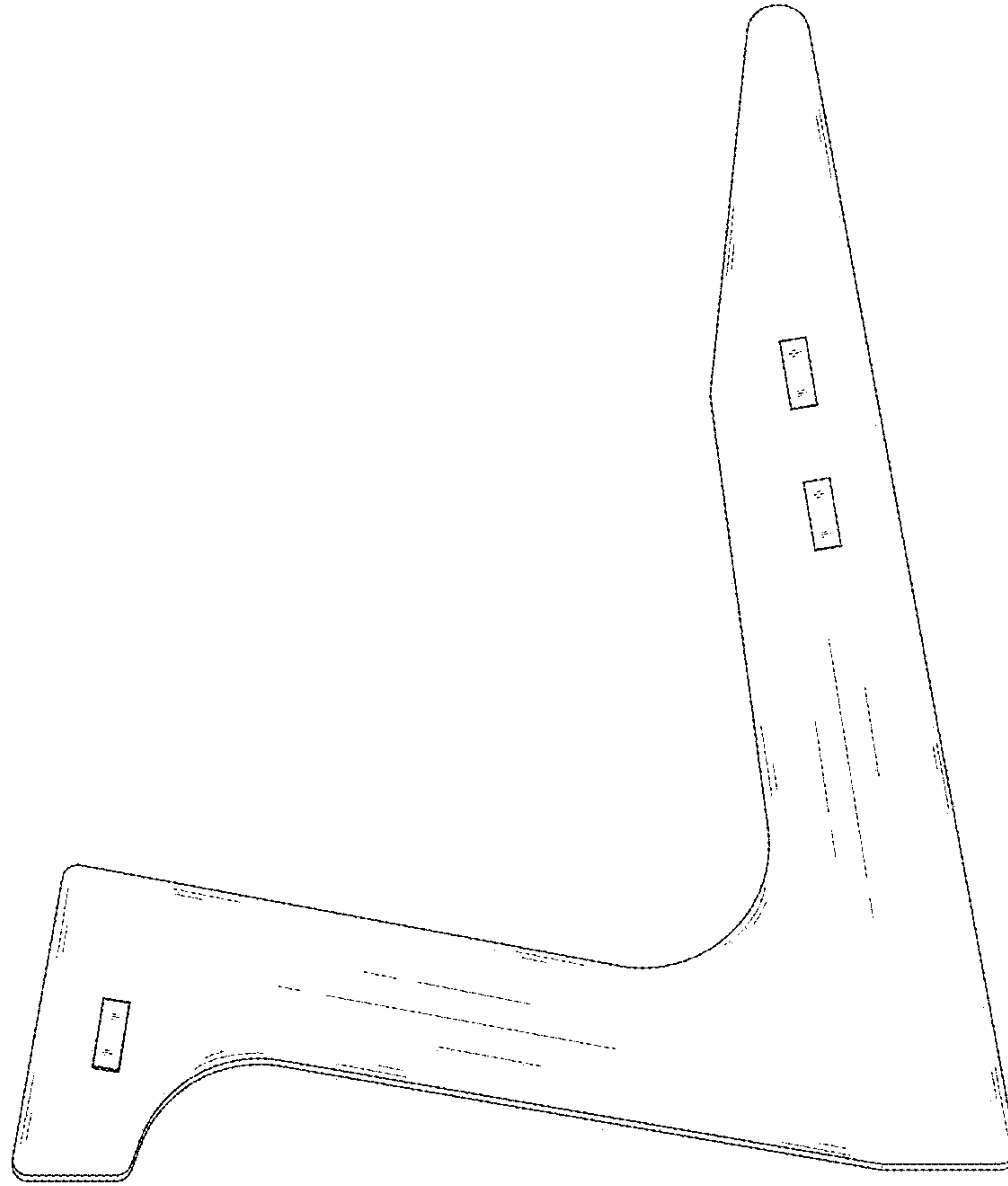


FIG. 4

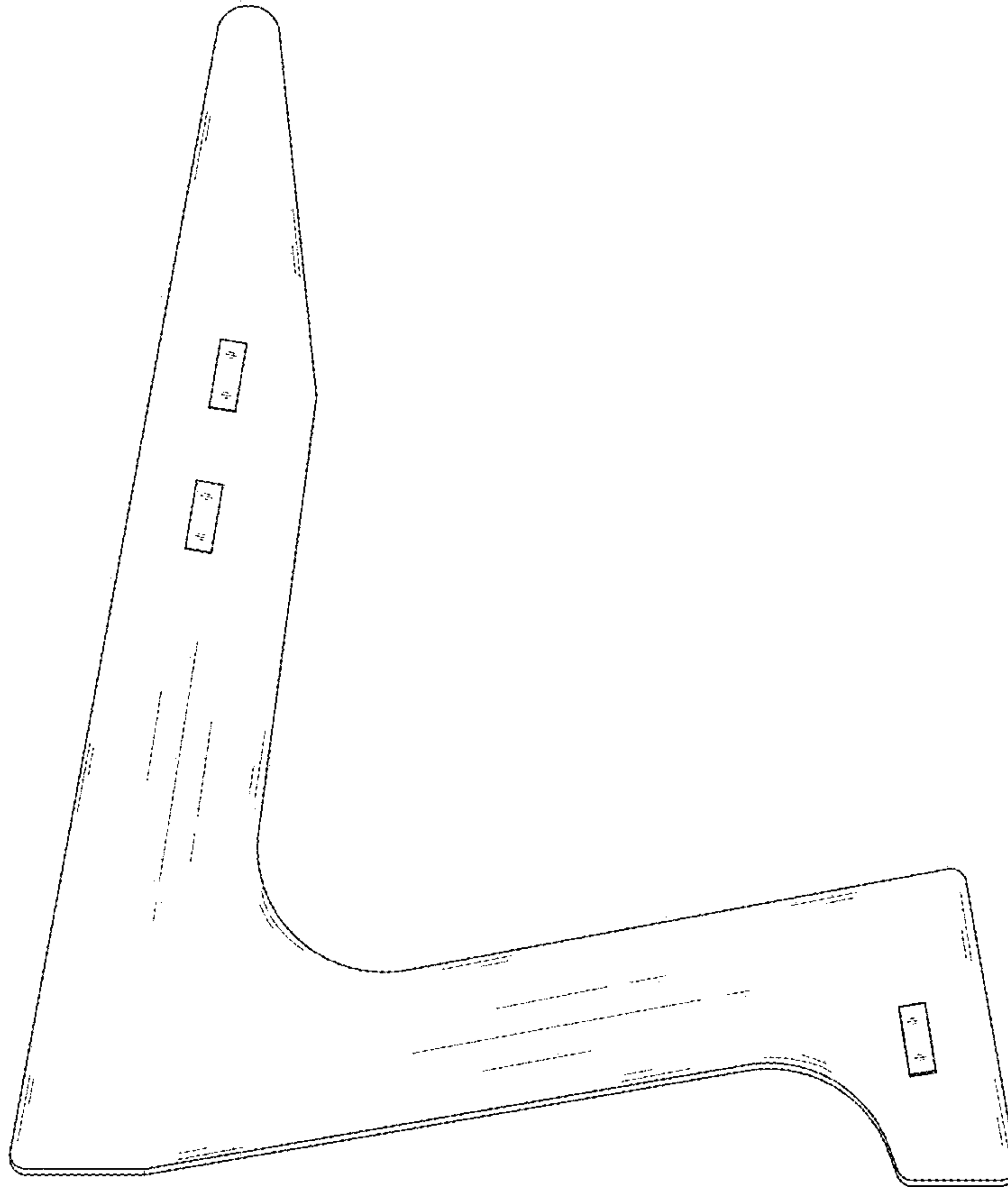


FIG. 5

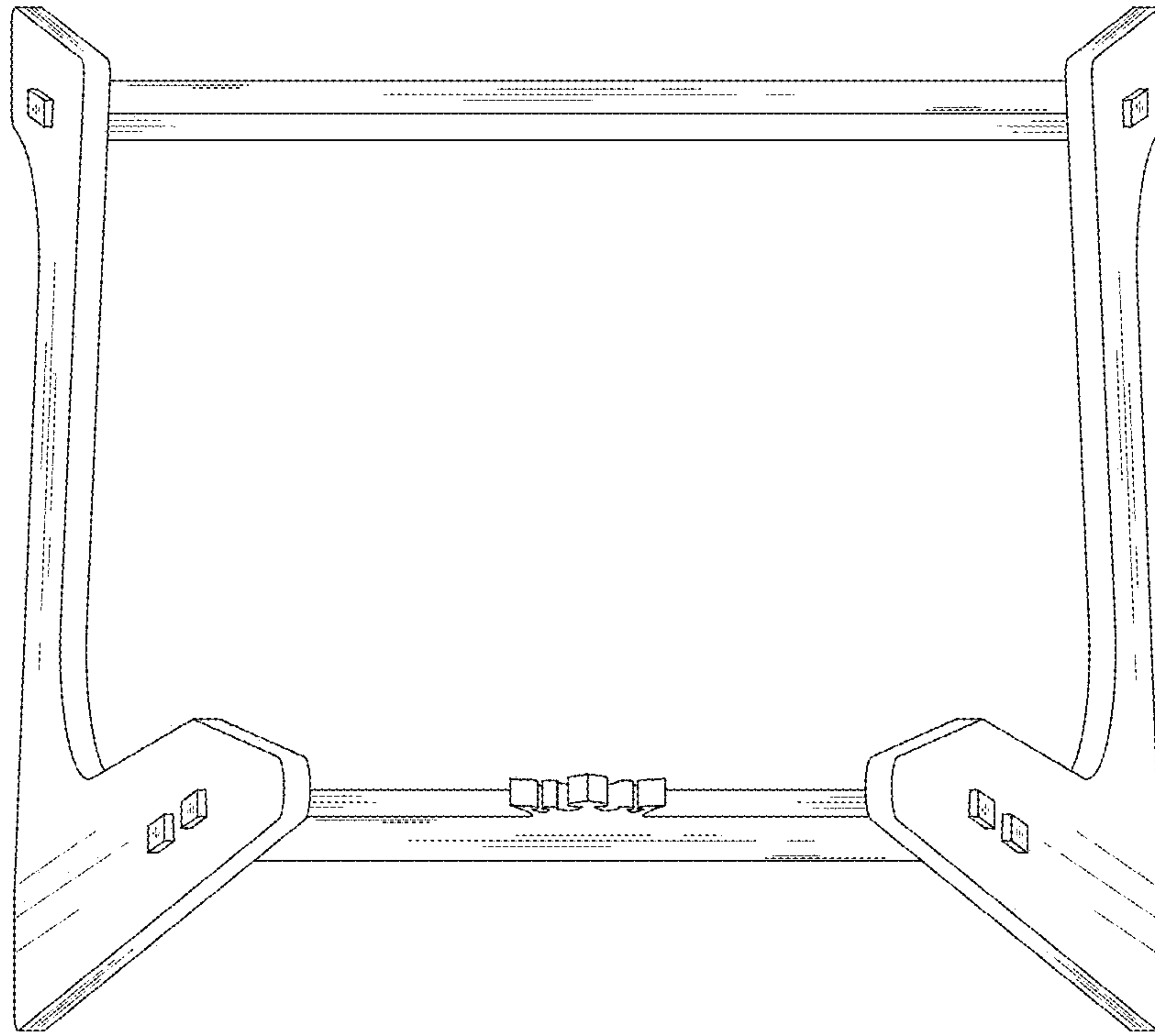


FIG. 6

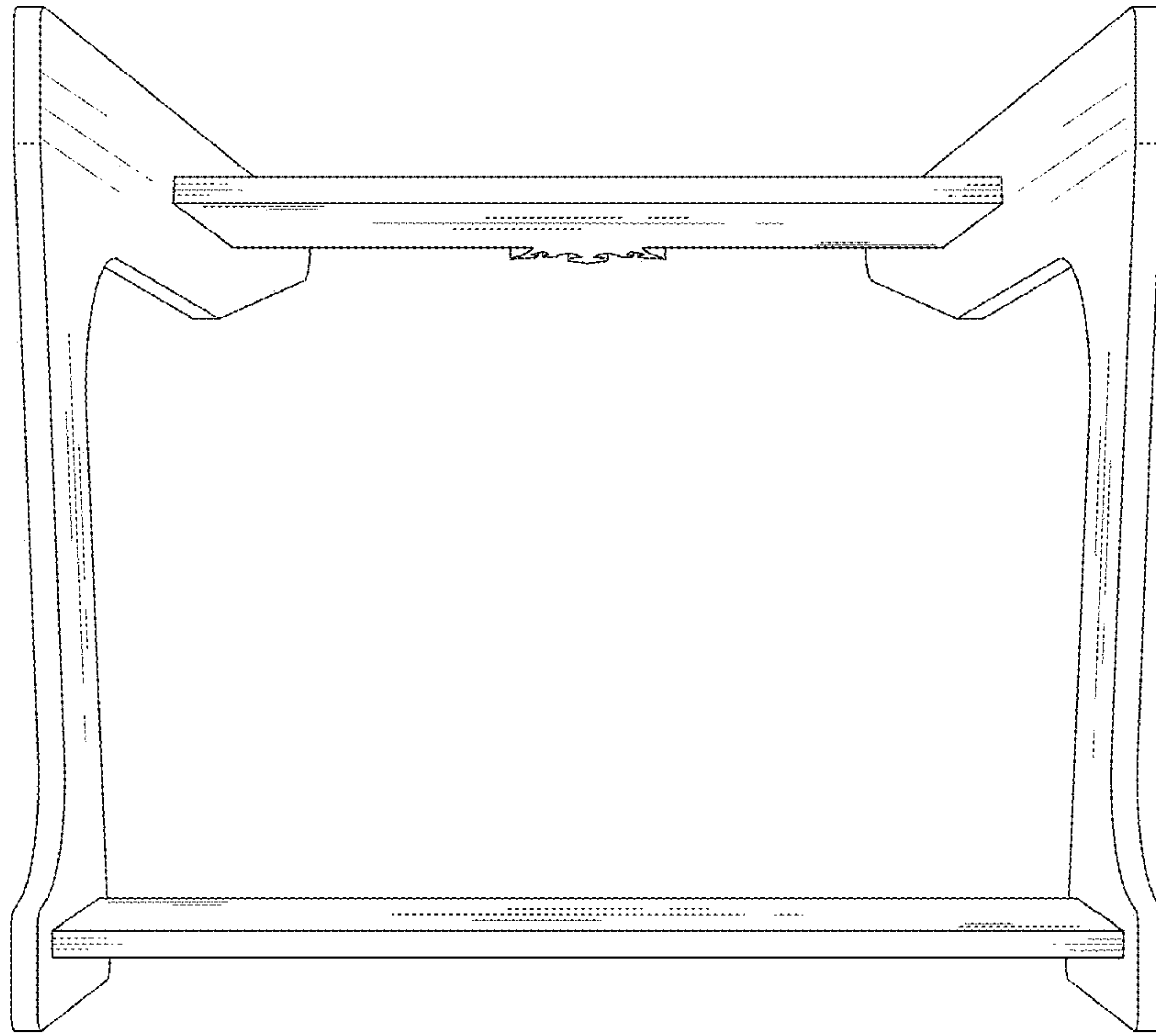


FIG. 7