



US00D959178S

(12) **United States Design Patent** (10) **Patent No.:** **US D959,178 S**
Lu (45) **Date of Patent:** **** Aug. 2, 2022**

(54) **MODULAR CABINETS**
(71) Applicant: **NINGBO HONGXING INTERNATIONAL TRADE CO., LTD.**, Ningbo (CN)
(72) Inventor: **Jianbin Lu**, Ningbo (CN)
(**) Term: **15 Years**
(21) Appl. No.: **29/735,949**
(22) Filed: **May 26, 2020**
(51) **LOC (13) Cl.** **06-06**
(52) **U.S. Cl.**
USPC **D6/675.1**
(58) **Field of Classification Search**
USPC D6/672, 673, 675, 675.1, 512
CPC ... A47B 47/04; A47B 47/047; A47B 47/0091;
A47B 81/06; A47B 81/061; A47B 87/00;
A47B 87/002; A47B 87/008; A47F 3/00;
A47F 5/00; A47F 5/0018; A47F 5/0043;
A47F 7/00
See application file for complete search history.

D894,641 S * 9/2020 Davis D6/657
D904,803 S * 12/2020 Davis D6/657
D906,020 S * 12/2020 Davis D6/657
D916,537 S * 4/2021 Davis D6/675.1
D920,014 S * 5/2021 Chu D6/675.1
D920,016 S * 5/2021 Ye D6/675.1

* cited by examiner

Primary Examiner — Kelley A Donnelly
(74) *Attorney, Agent, or Firm* — Law Offices of Steven W. Weinrieb

(57) **CLAIM**

The ornamental design for modular cabinets, as shown and described.

DESCRIPTION

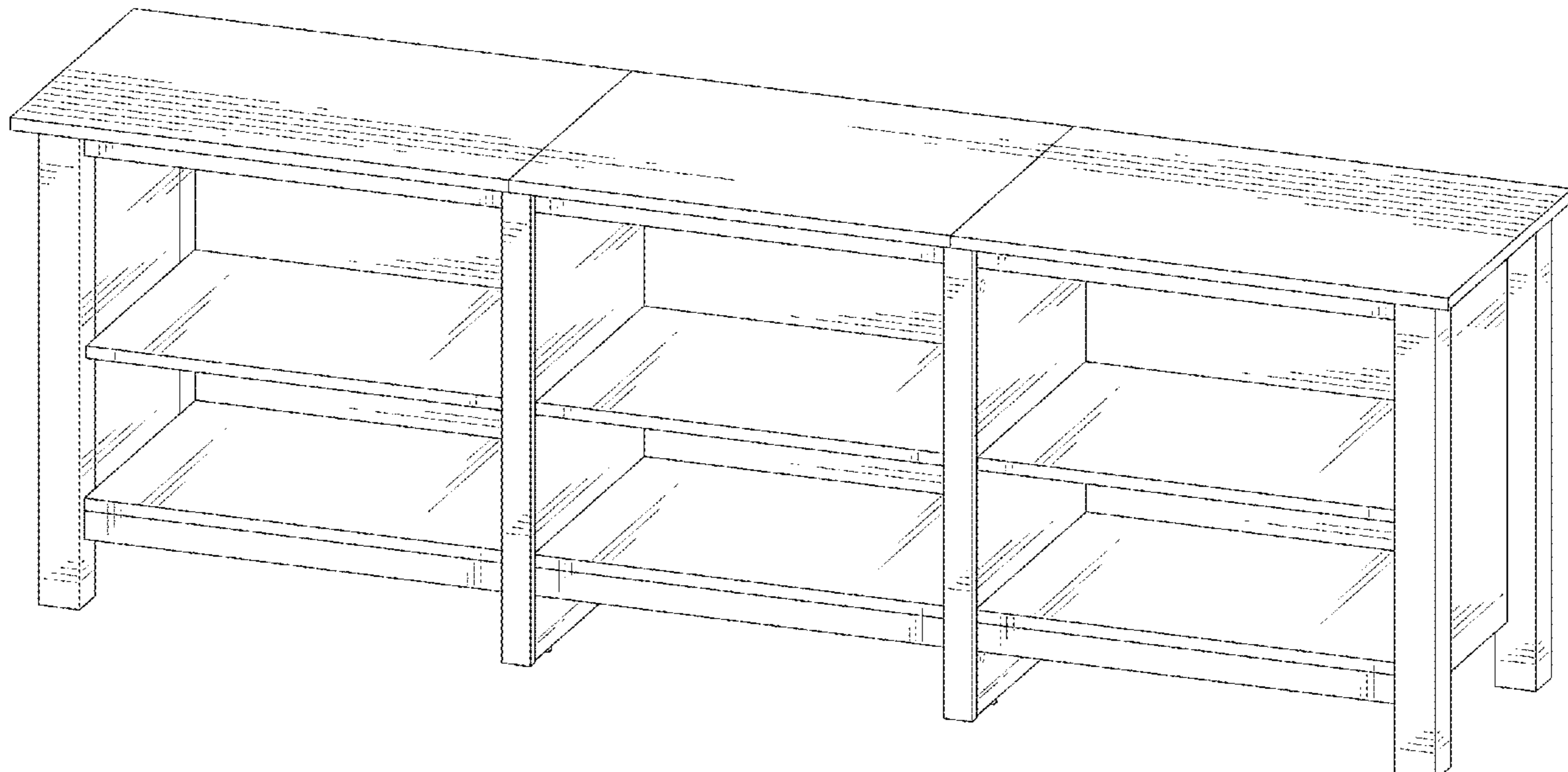
FIG. 1 is a front, right side, top perspective view of modular cabinets showing my new design;
FIG. 2 is a rear, left side, bottom perspective view thereof;
FIG. 3 is a front elevational view thereof;
FIG. 4 is a rear elevational view thereof;
FIG. 5 is a left side elevational view thereof;
FIG. 6 is a right side elevational view thereof;
FIG. 7 is a top plan view thereof;
FIG. 8 is a bottom plan view thereof;
FIG. 9 is front, right side, top perspective view of the modular cabinets shown in a separated state;
FIG. 10 is a front, right side, top perspective view of the middle one of the modular cabinets as illustrated within FIG. 9; and,
FIG. 11 is a front, right side, top perspective view of the two end ones of the modular cabinets as illustrated within FIG. 9 and shown as being connected together.
The broken lines depict portions of the claimed design for the modular cabinets which form no part of the claimed design.

(56) **References Cited**

U.S. PATENT DOCUMENTS

D463,681 S * 10/2002 Andersen D6/675.1
D499,274 S * 12/2004 Juneau D6/657
D519,299 S * 4/2006 Boudreau D6/657
D669,704 S * 10/2012 Zambelli D6/657
D669,706 S * 10/2012 Zambelli D6/662.1
D742,142 S * 11/2015 Everson D6/675.1
D778,646 S * 2/2017 Davis D6/699
D793,776 S * 8/2017 Davis D6/675
D829,026 S * 9/2018 Davis D6/675
D845,041 S * 4/2019 Davis D6/675
D869,201 S * 12/2019 Davis D6/669
D878,817 S * 3/2020 Davis D6/657

1 Claim, 11 Drawing Sheets



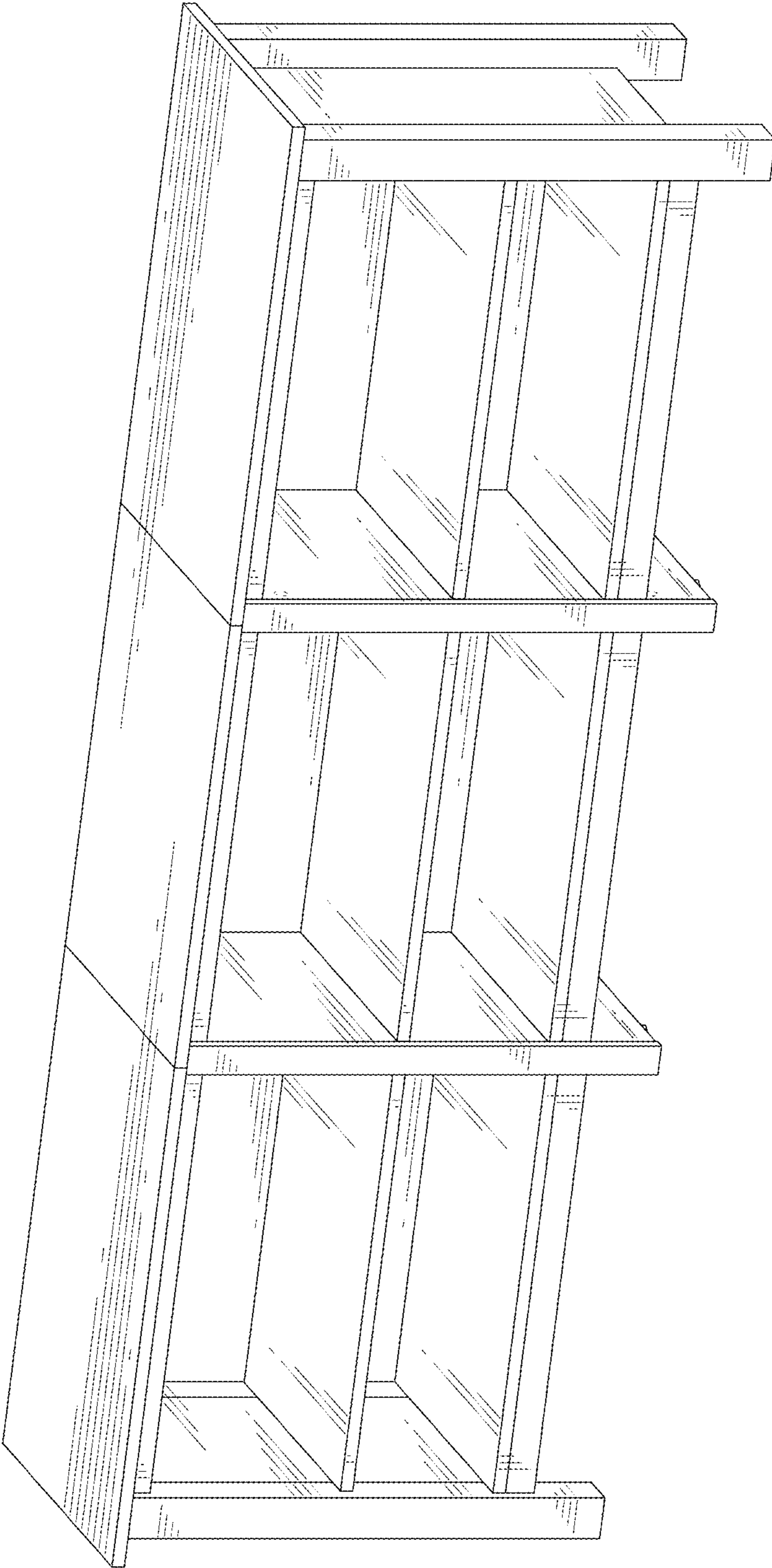


FIG.1

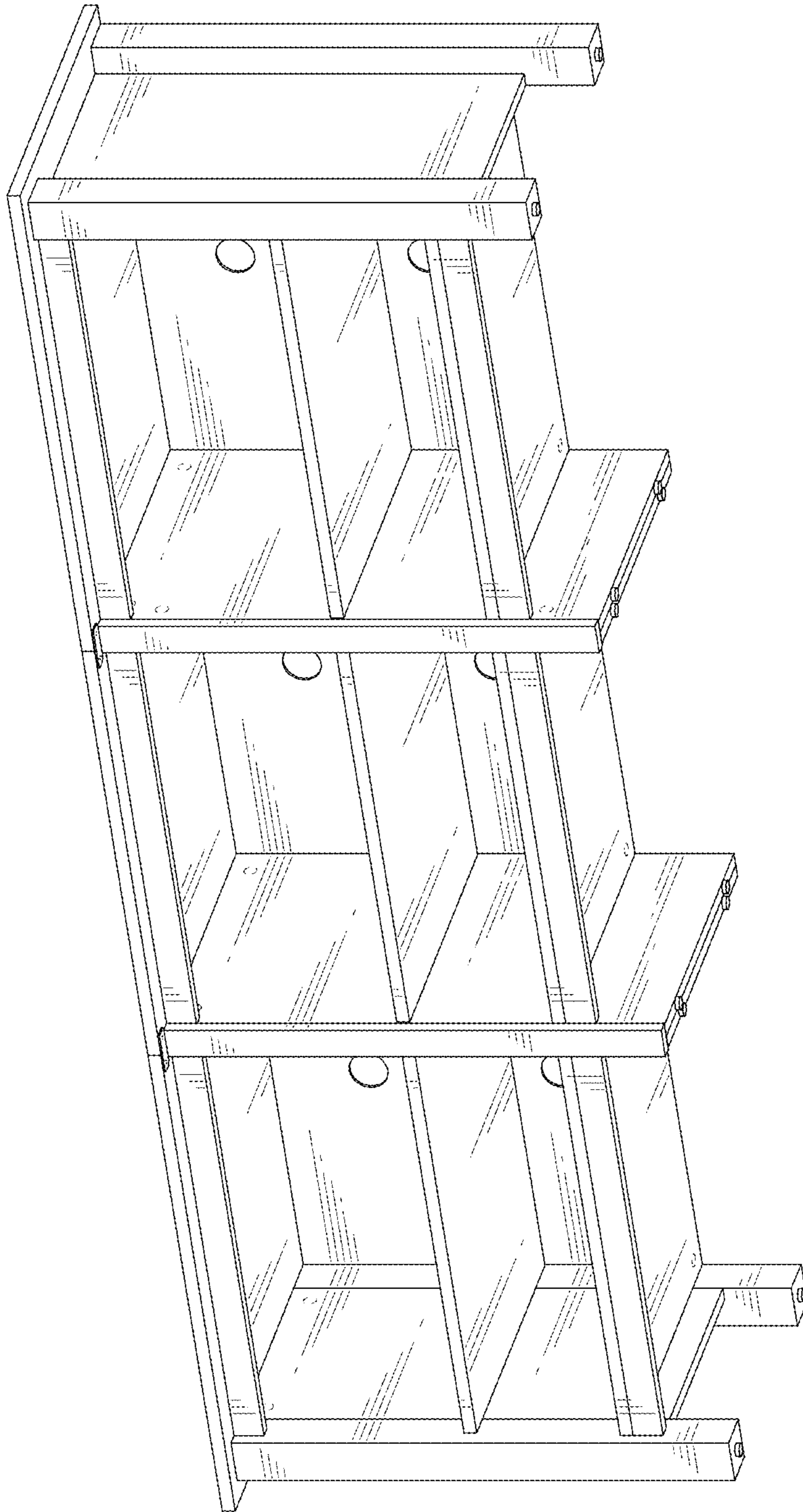


FIG.2

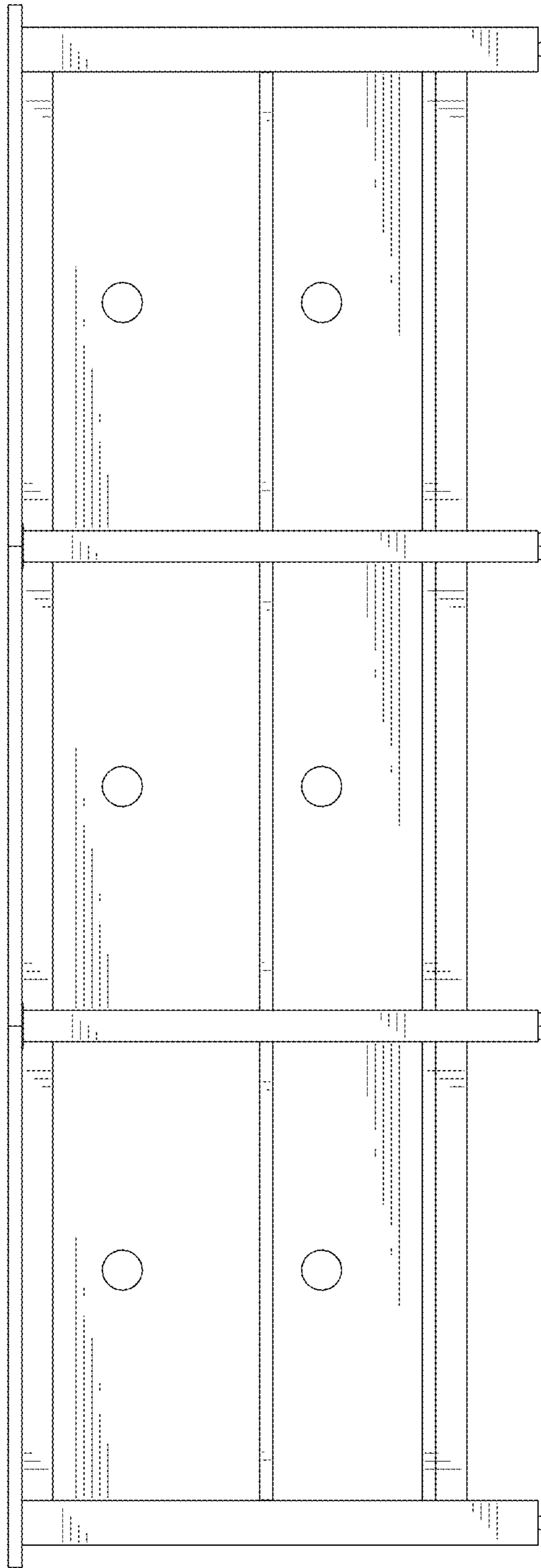


FIG.3

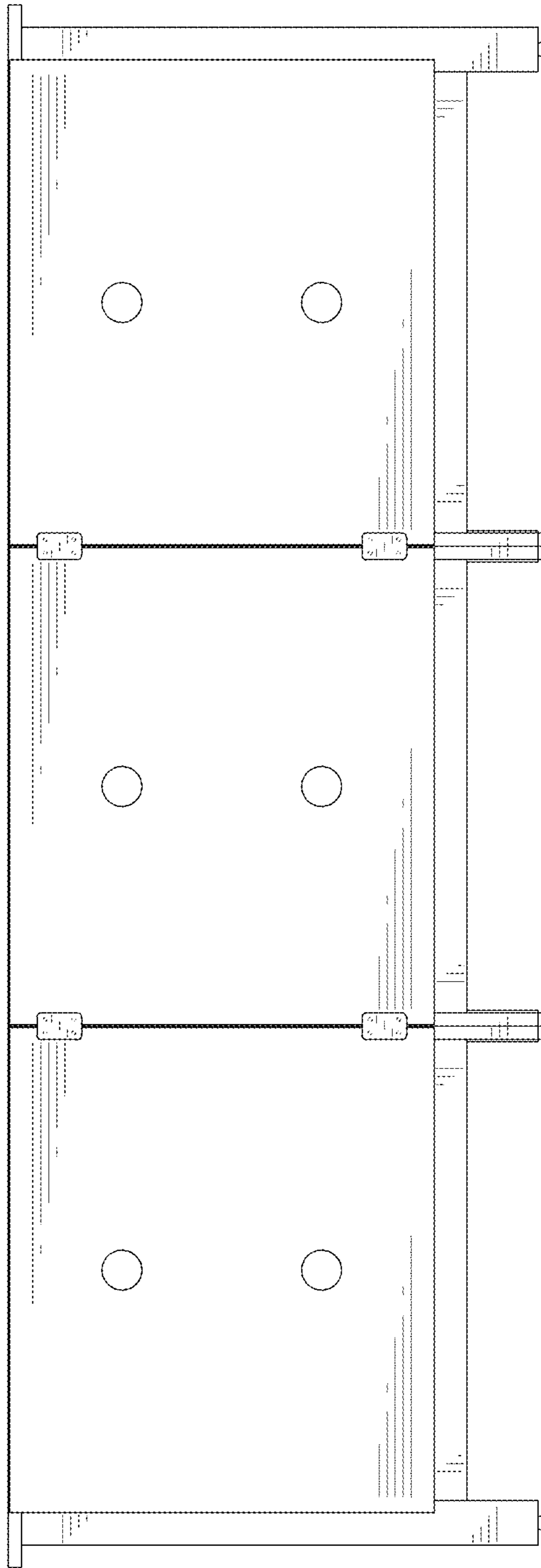


FIG.4

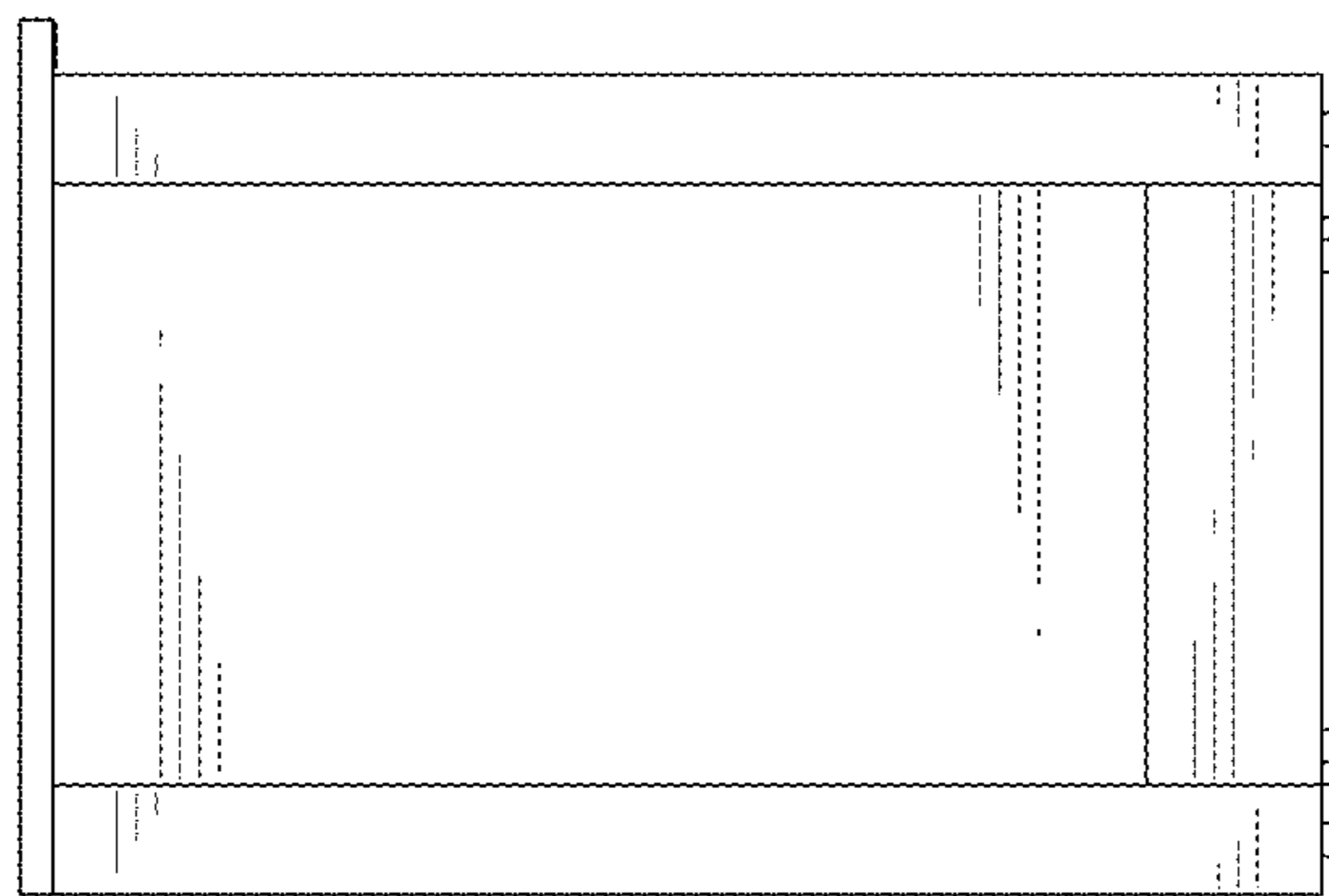


FIG.5

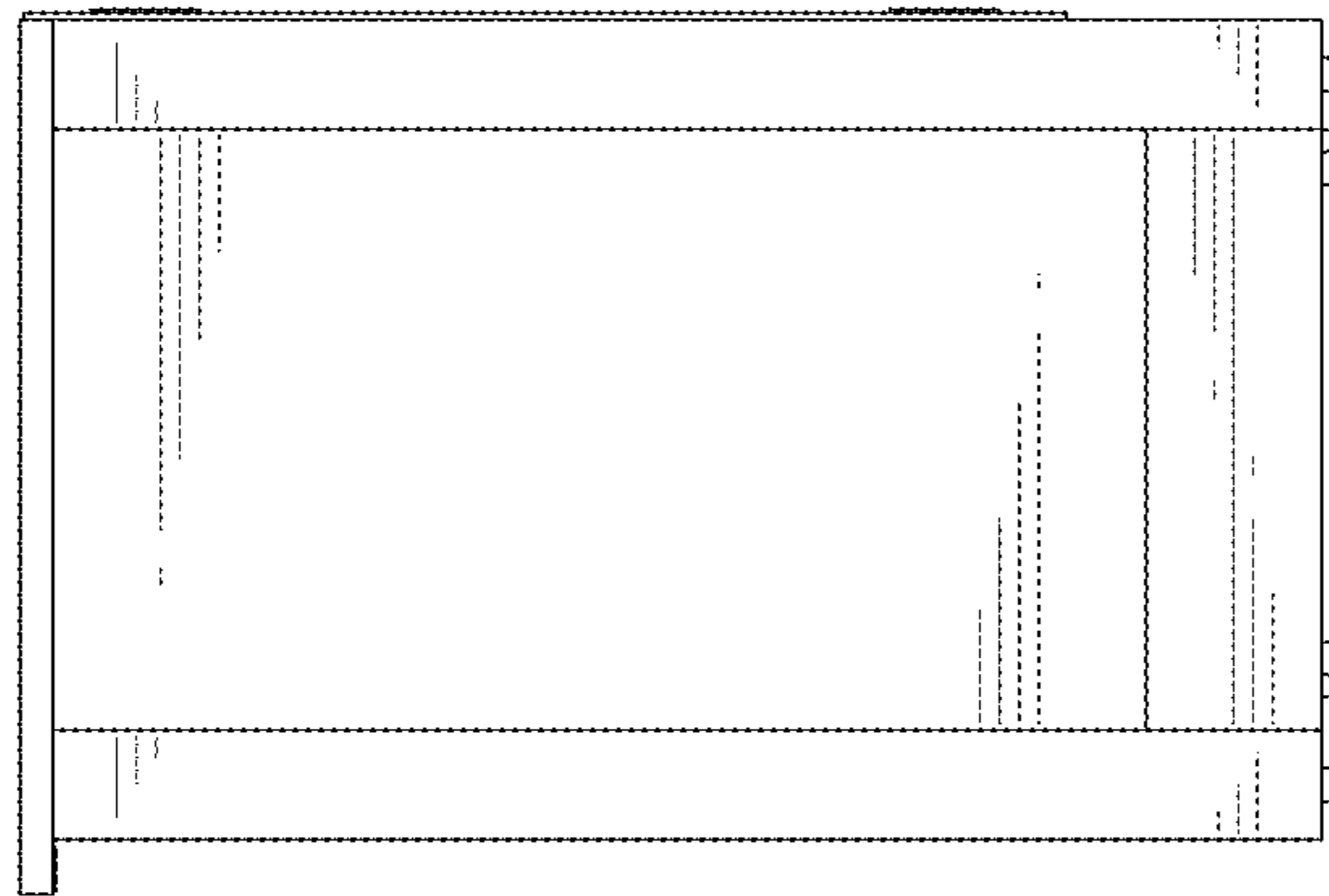


FIG.6

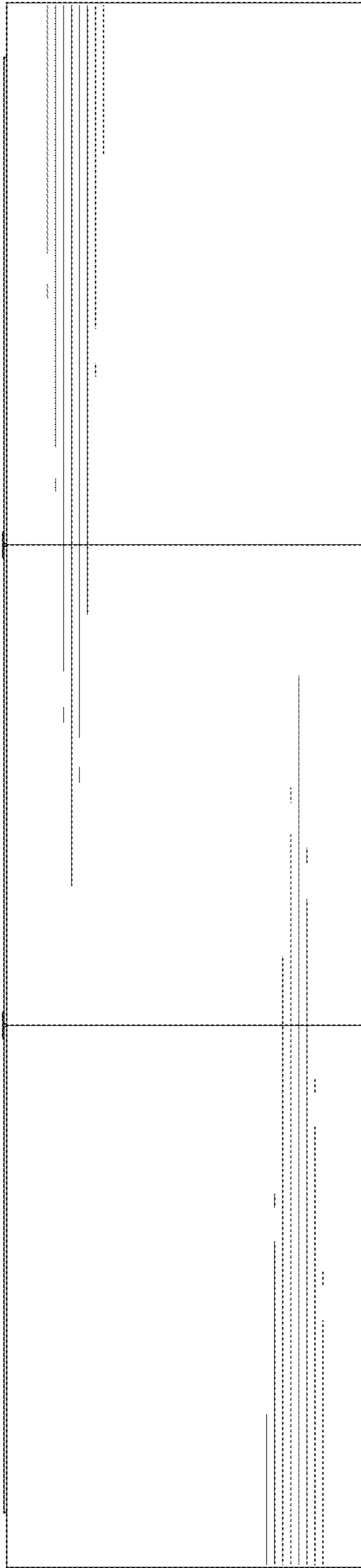


FIG.7

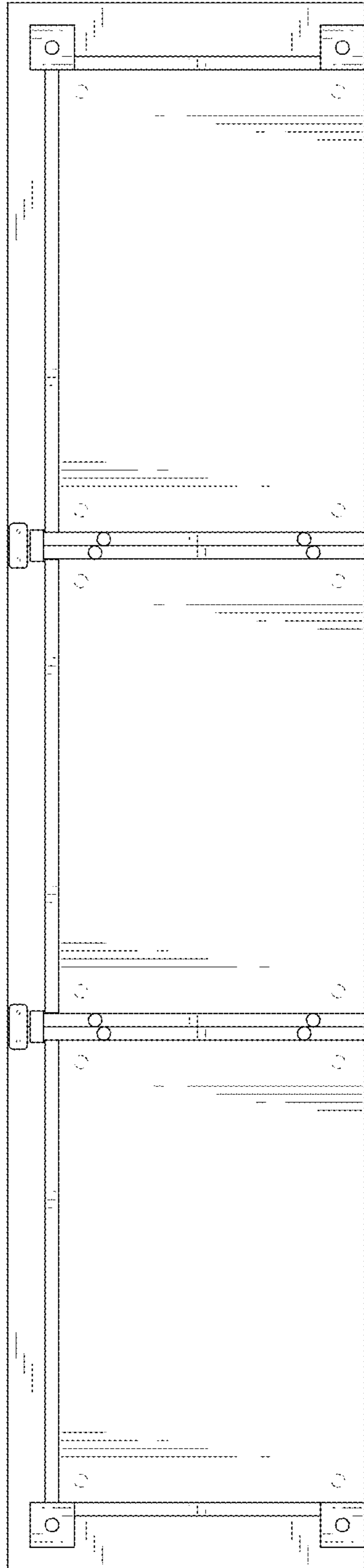


FIG.8

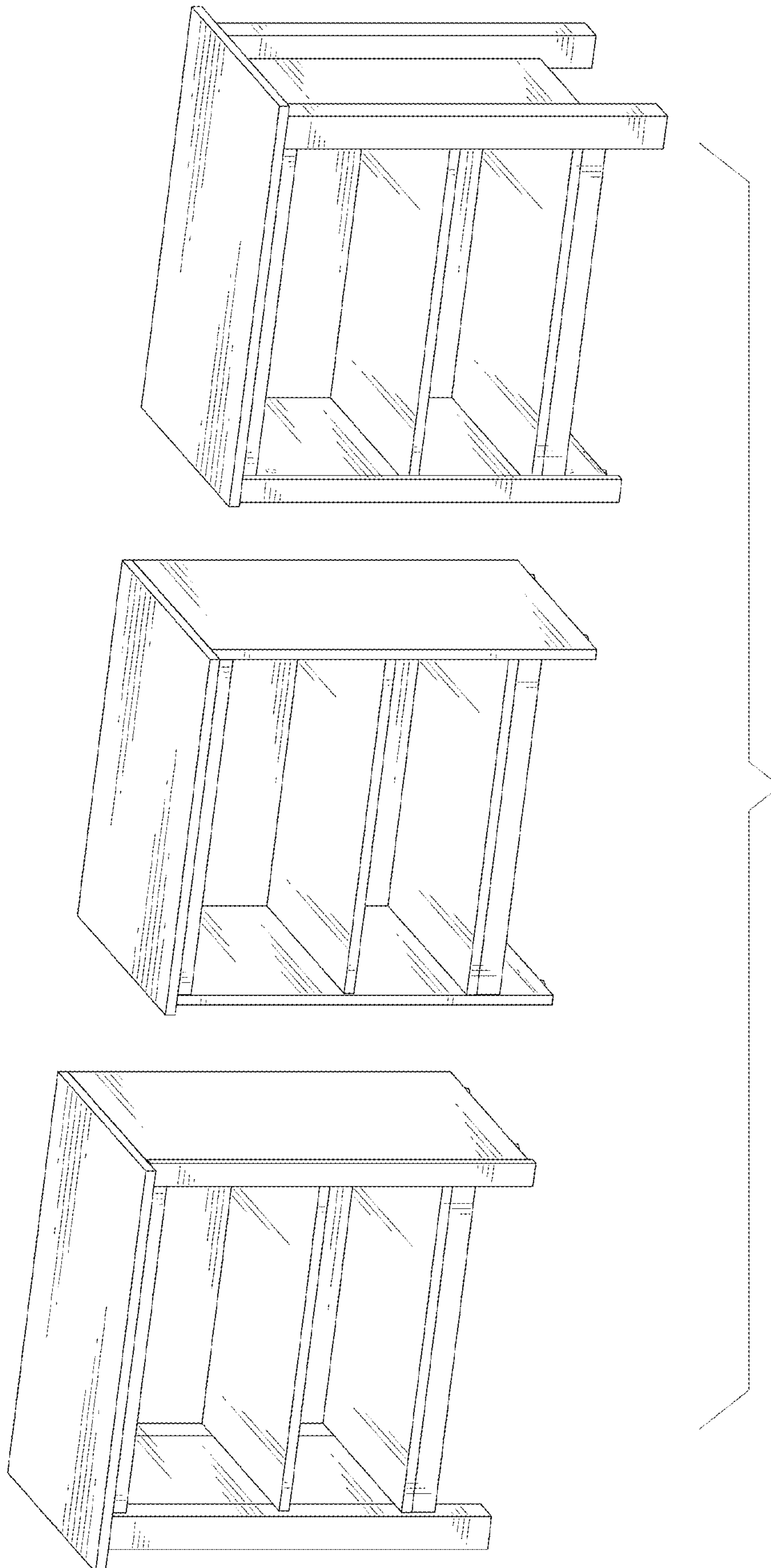


FIG.9

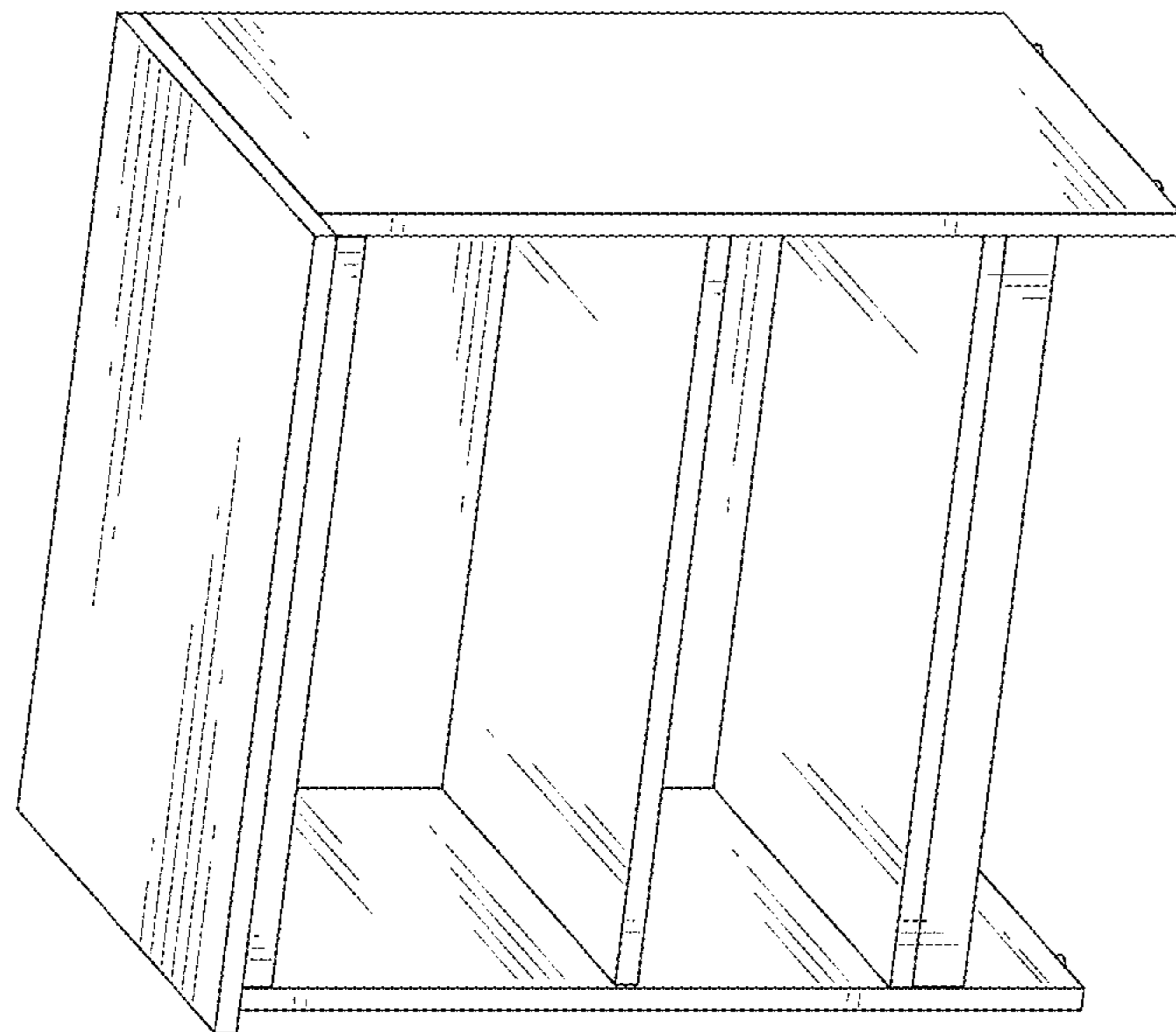


FIG.10

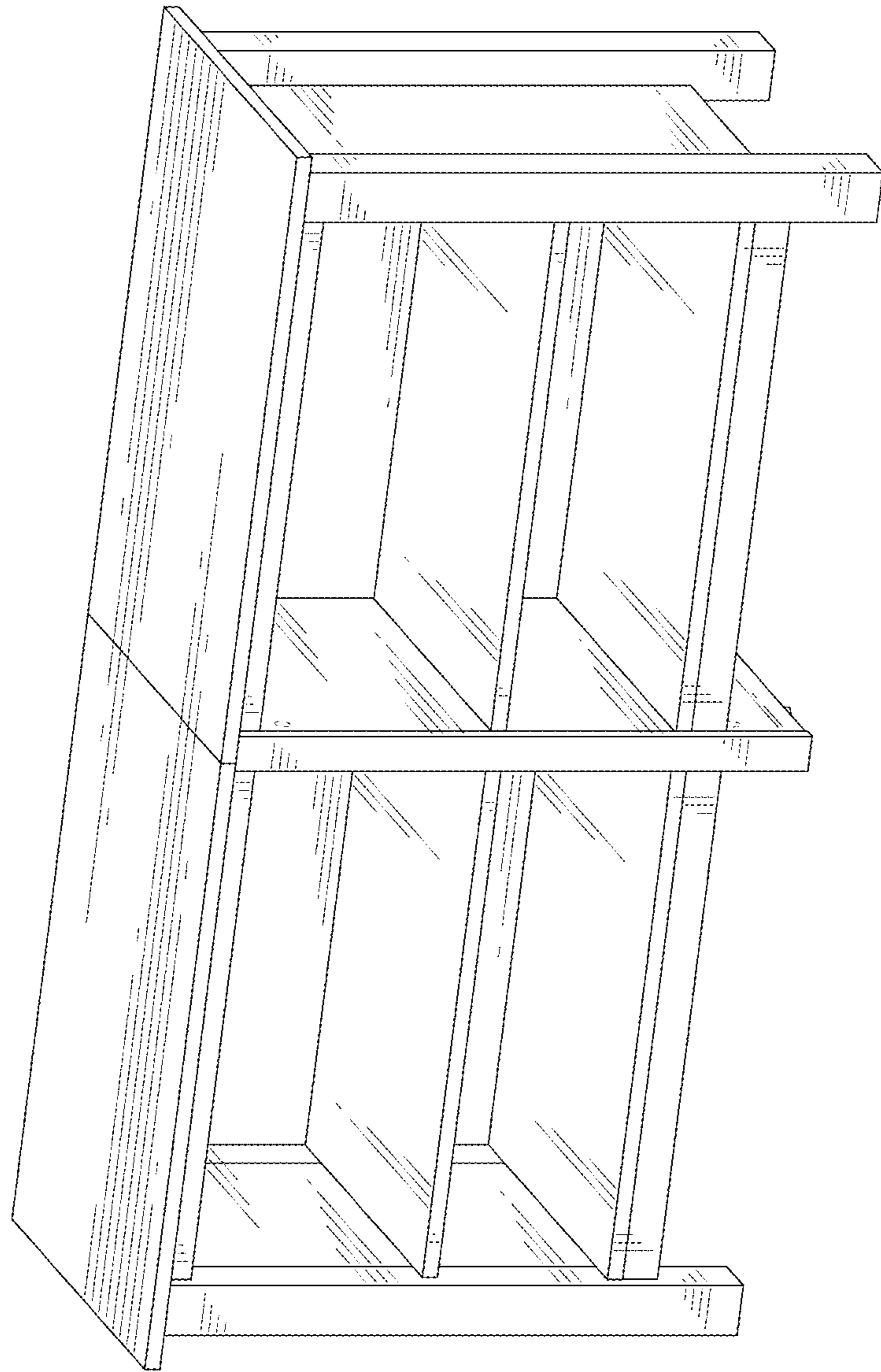


FIG.11