



US00D959174S

(12) **United States Design Patent**  
**Lin**

(10) **Patent No.:** **US D959,174 S**

(45) **Date of Patent:** **\*\* Aug. 2, 2022**

(54) **WINDOW BLIND SLAT**

(71) Applicant: **Ya-Yin Lin**, Chiayi (TW)

(72) Inventor: **Ya-Yin Lin**, Chiayi (TW)

(\*\*) Term: **15 Years**

(21) Appl. No.: **29/750,021**

(22) Filed: **Sep. 10, 2020**

(51) **LOC (13) Cl.** ..... **06-10**

(52) **U.S. Cl.**  
USPC ..... **D6/580**

(58) **Field of Classification Search**  
USPC ..... D6/575-581  
CPC .. A47H 1/04; A47H 23/01; A47K 3/38; E06B  
2009/425; E06B 2009/583; E06B  
2009/785; E06B 9/323; E06B 9/326;  
E06B 9/388; E06B 9/40; E06B 9/42;  
E06B 9/36

See application file for complete search history.

(56) **References Cited**

**U.S. PATENT DOCUMENTS**

- 2,209,355 A \* 7/1940 Schmitz ..... E06B 9/386  
160/178.1 R
- 2,326,454 A \* 8/1943 Gentile ..... E06B 9/386  
D6/577
- 2,620,869 A \* 12/1952 Friedman ..... E06B 9/386  
D6/577
- D360,728 S \* 7/1995 Nozaki ..... D25/119
- D486,685 S \* 2/2004 Marusak ..... E06B 9/386  
D6/577

- D501,348 S \* 2/2005 Yu ..... E06B 9/386  
D6/577
- D594,262 S \* 6/2009 McNiel ..... E06B 9/386  
D6/580
- D637,028 S \* 5/2011 Chou ..... D6/577
- D899,134 S \* 10/2020 Meloche ..... B65G 39/18  
D6/579
- D910,959 S \* 2/2021 Layne ..... B65G 39/18  
D34/29
- 2012/0085031 A1\* 4/2012 Kotin ..... E06B 7/086  
160/174 V

\* cited by examiner

*Primary Examiner* — Kevin K Rudzinski

*Assistant Examiner* — Clare Ann Gannon

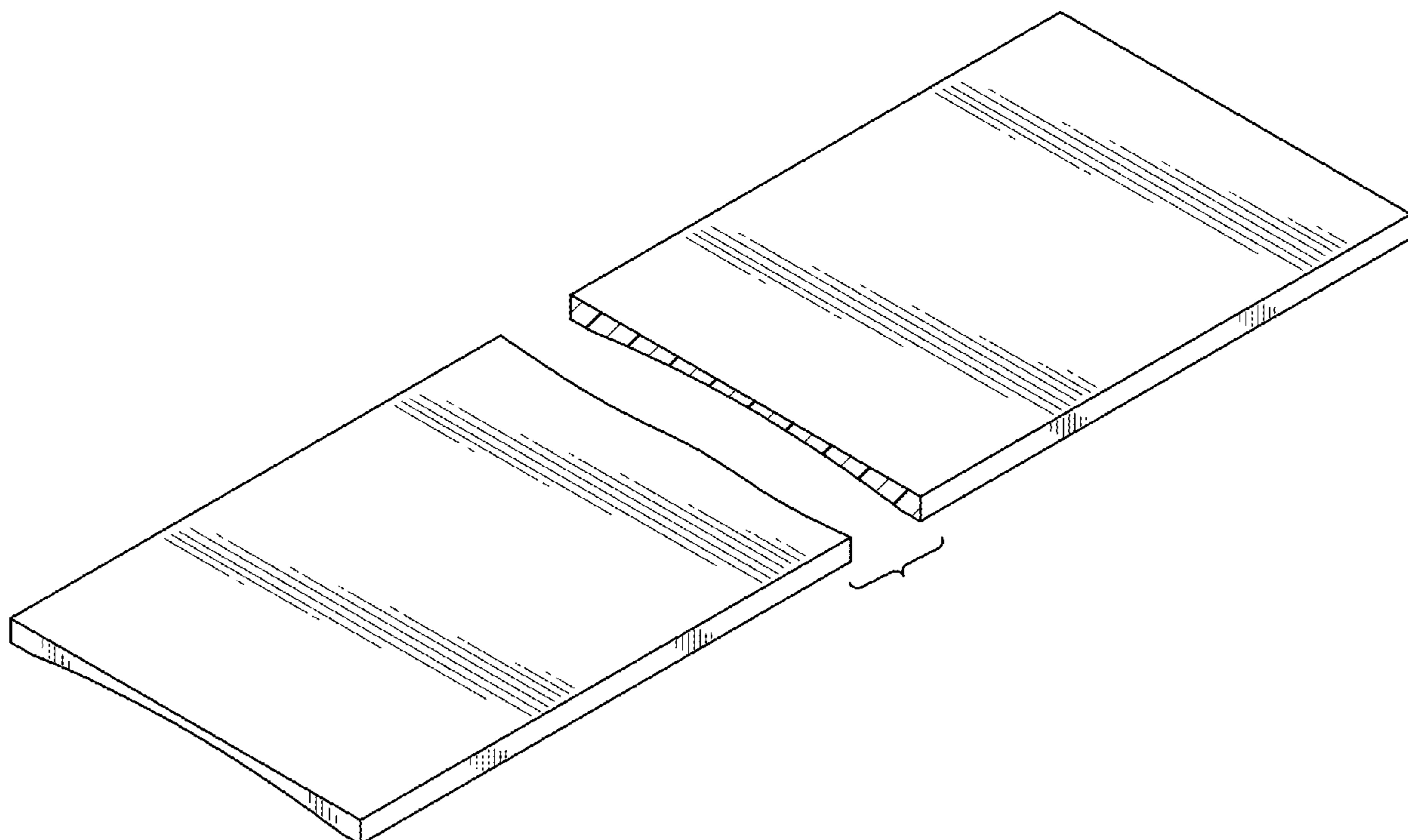
(57) **CLAIM**

The ornamental design for a window blind slat, as shown and described.

**DESCRIPTION**

FIG. 1 is a perspective view of a window blind slat showing my new design;  
 FIG. 2 is a front elevational view thereof;  
 FIG. 3 is a rear elevational view thereof;  
 FIG. 4 is a left side elevational view thereof;  
 FIG. 5 is a right side elevational view thereof;  
 FIG. 6 is a top plan view thereof; and,  
 FIG. 7 is a bottom plan view thereof.  
 The break lines shown in FIGS. 1 and 4 -7 symbolize breaks in the length of the article in which the claimed design is embodied. The appearance of any portion of the article between the break lines forms no part of the claimed design.

**1 Claim, 5 Drawing Sheets**



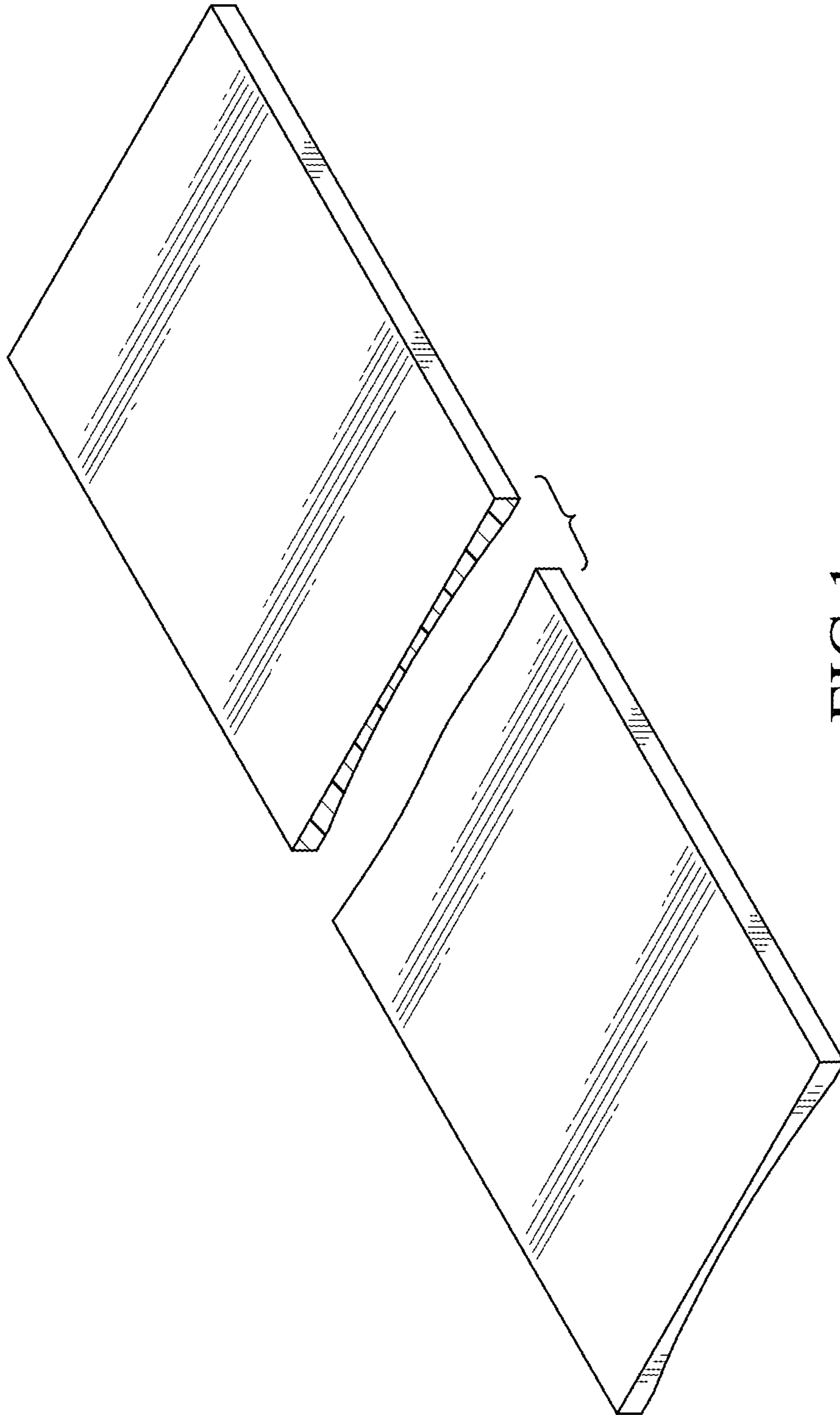


FIG.1

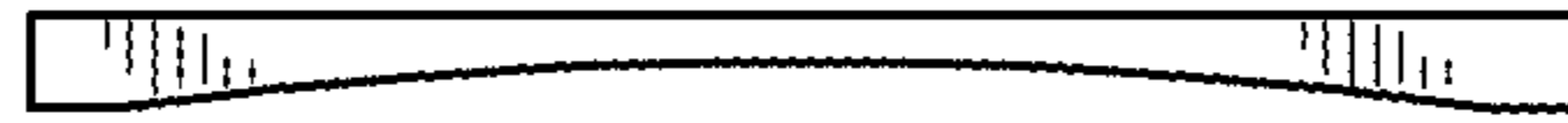


FIG. 2

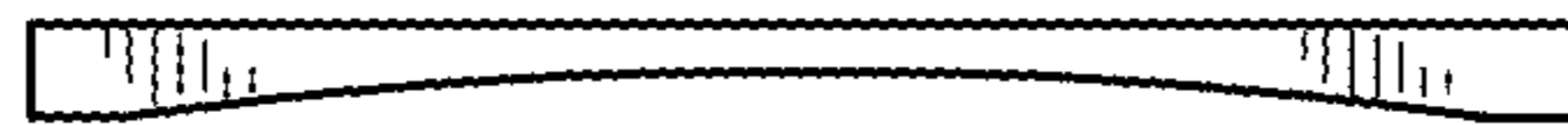


FIG. 3



FIG. 4



FIG. 5

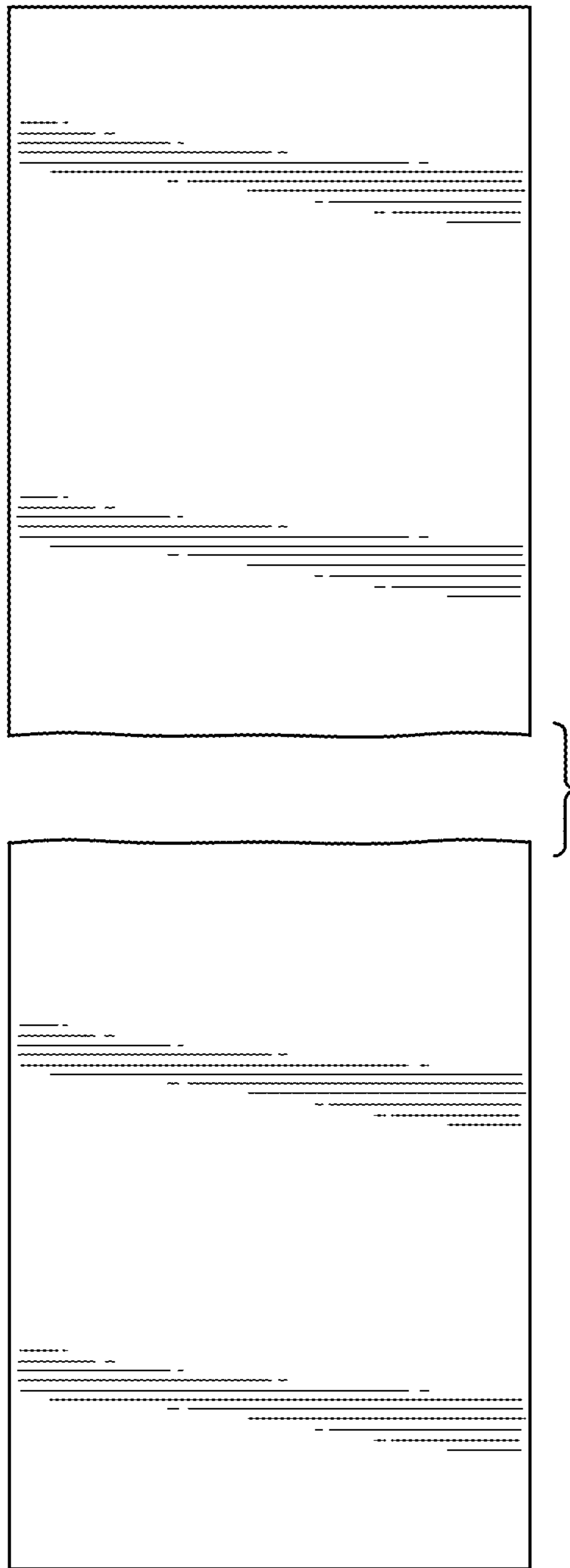


FIG. 6

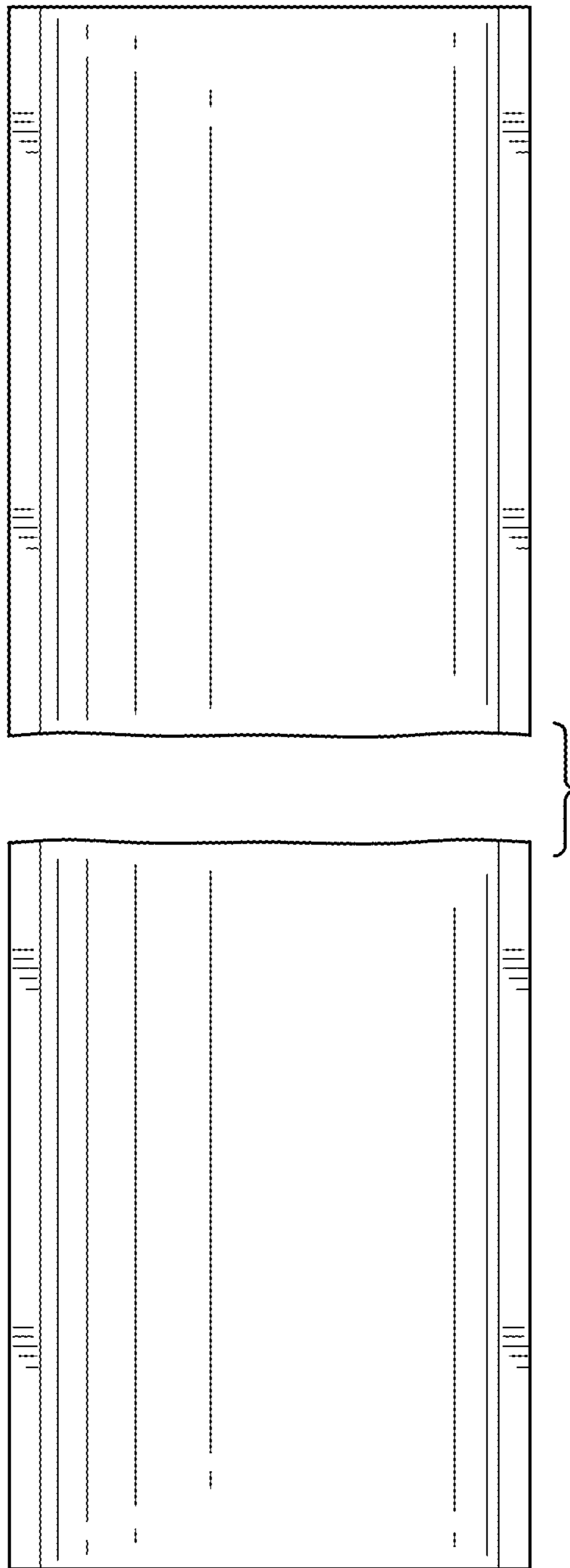


FIG. 7