



US00D959172S

(12) **United States Design Patent** (10) **Patent No.:** **US D959,172 S**
Allard et al. (45) **Date of Patent:** **** Aug. 2, 2022**

(54) **TOILET BRUSH AND HOLDER SET**

D315,989 S * 4/1991 Levien D4/137
D330,984 S * 11/1992 Evans D6/520
5,772,015 A * 6/1998 Musiel A47K 11/10
206/209

(71) Applicant: **Grohe AG**, Hemer (DE)

(Continued)

(72) Inventors: **Jochen Allard**, Duesseldorf (DE);
Michael Seum, Duesseldorf (DE)

(73) Assignee: **Grohe AG**, Hemer (DE)

OTHER PUBLICATIONS

(**) Term: **15 Years**

Amazon.com, Grohe Selection Toilet Brush Holder Complete, Glass and Metal, Jan. 18, 2020, <https://www.amazon.com/Grohe-Selection-Toilet-Holder-Complete/dp/B082W8HK13/> (Year: 2020).*

(21) Appl. No.: **29/732,222**

Primary Examiner — Nathan M Johnston

(22) Filed: **Apr. 22, 2020**

(74) *Attorney, Agent, or Firm* — Muncy, Geissler, Olds & Lowe, P.C.

(30) **Foreign Application Priority Data**

(57) **CLAIM**

Oct. 23, 2019 (EM) 007081724-0012

The ornamental design for a toilet brush and holder set, as shown and described.

(51) **LOC (13) Cl.** **23-02**

DESCRIPTION

(52) **U.S. Cl.**

USPC **D6/551**

(58) **Field of Classification Search**

USPC D6/551, 525; D8/80, 83, 94, 107, 300;
206/207, 349, 361; D32/40, 42, 46, 49,
D32/51, 52; D7/541, 555, 615; 312/206,
312/207; D4/116, 100, 102, 114, 117,
D4/118, 121, 130–136, 138; 4/255.05,
4/255.11; 15/21.1, 143.1, 145, 159.1,
15/160, 186–188; 132/120, 142, 313
CPC A47K 17/00; A47K 11/10; A47K 3/001;
B65D 47/40; A46B 2200/304; A46B
17/02; A46B 17/06

See application file for complete search history.

FIG. 1 is a front perspective view of a toilet brush and holder set according to the present invention.

FIG. 2 is a front view of the toilet brush and holder set of FIG. 1.

FIG. 3 is a rear view of the toilet brush and holder set of FIG. 1.

FIG. 4 is a left side view of the toilet brush and holder set of FIG. 1.

FIG. 5 is a right side view of the toilet brush and holder set of FIG. 1.

FIG. 6 is a top view of the toilet brush and holder set of FIG. 1; and,

FIG. 7 is a bottom view of the toilet brush and holder set of FIG. 1.

The broken lines show portions of the toilet brush and holder set that form no part of the claimed design.

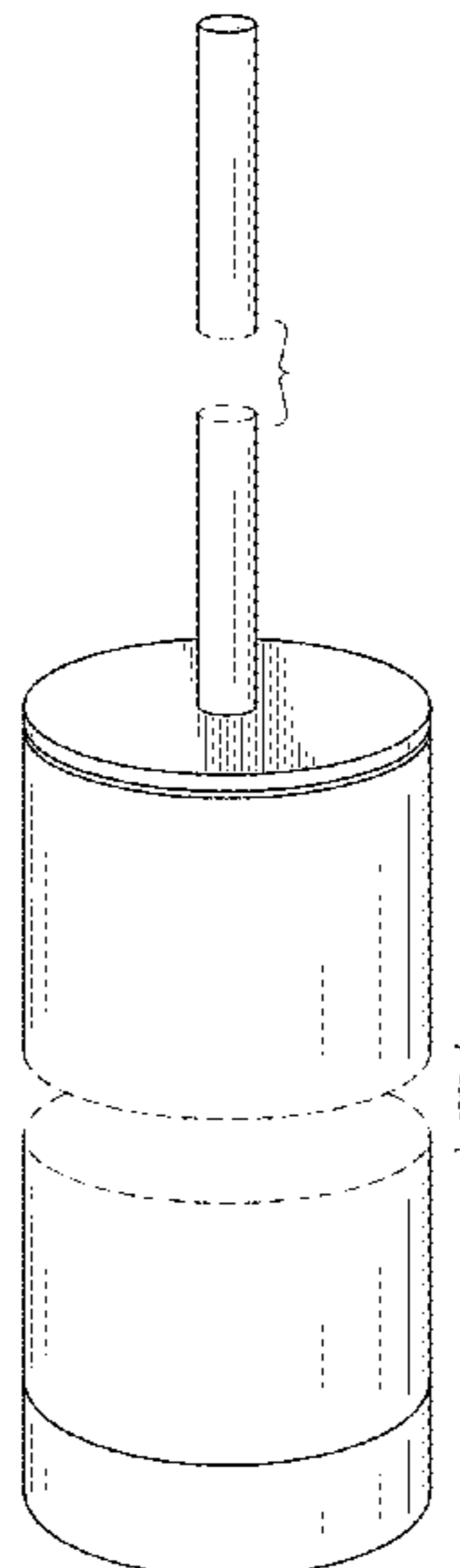
The toilet brush and holder set is shown with symbolic breaks in its length. The appearance of any portion of the article between the break lines forms no part of the claimed design.

(56) **References Cited**

U.S. PATENT DOCUMENTS

2,774,093 A * 12/1956 King A47K 17/00
401/121
D206,135 S * 11/1966 O'Neil D6/551
D281,743 S * 12/1985 Thompson D4/121

1 Claim, 7 Drawing Sheets



(56)

References Cited

U.S. PATENT DOCUMENTS

6,038,709 A * 3/2000 Kent A47K 11/10
4/255.05
6,109,429 A * 8/2000 Cunningham A47K 17/00
206/823
D453,888 S * 2/2002 Gottwald D6/551
6,446,792 B1 * 9/2002 Kaniaris, Jr. A47K 17/00
206/361
D481,574 S * 11/2003 Snell D6/551
D483,590 S * 12/2003 Dretzka D6/551
D483,591 S * 12/2003 Dretzka D6/551
D509,961 S * 9/2005 Petersen-Rutten D4/121
D511,062 S * 11/2005 Lai D6/524
D525,064 S * 7/2006 Williams D6/524
D526,150 S * 8/2006 Lai D6/524
D551,480 S * 9/2007 Dretzka D6/551
D576,801 S * 9/2008 Dretzka D4/116
D753,445 S * 4/2016 Khalifa D9/500
D805,807 S * 12/2017 Li D6/551
10,786,125 B1 * 9/2020 Whitlock A47K 11/10
2004/0262171 A1 * 12/2004 Lai A47K 17/00
206/15.3
2008/0156680 A1 * 7/2008 Lai A47K 17/00
206/361
2010/0065564 A1 * 3/2010 Lai A47K 17/00
220/23.91
2018/0070690 A1 * 3/2018 Ayorinde A45C 11/008

* cited by examiner

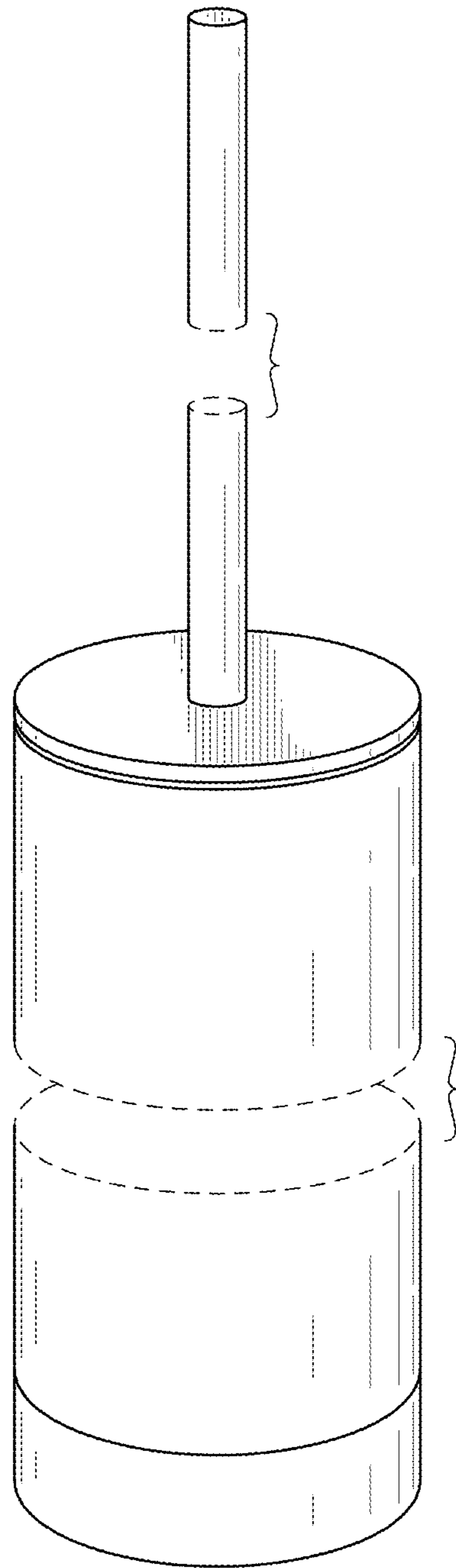


FIG.1

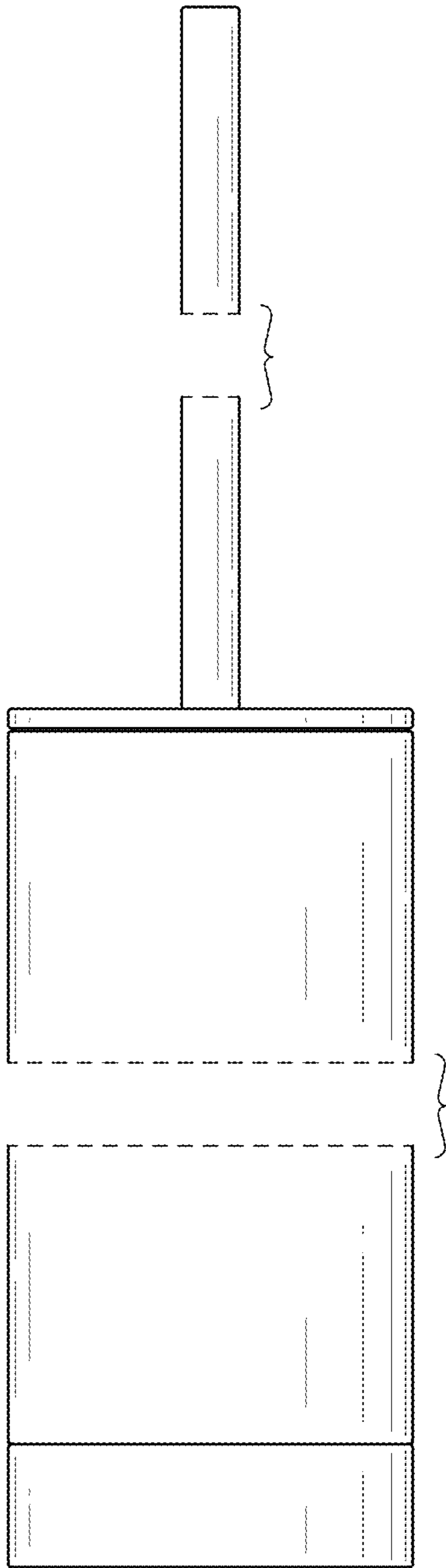


FIG.2

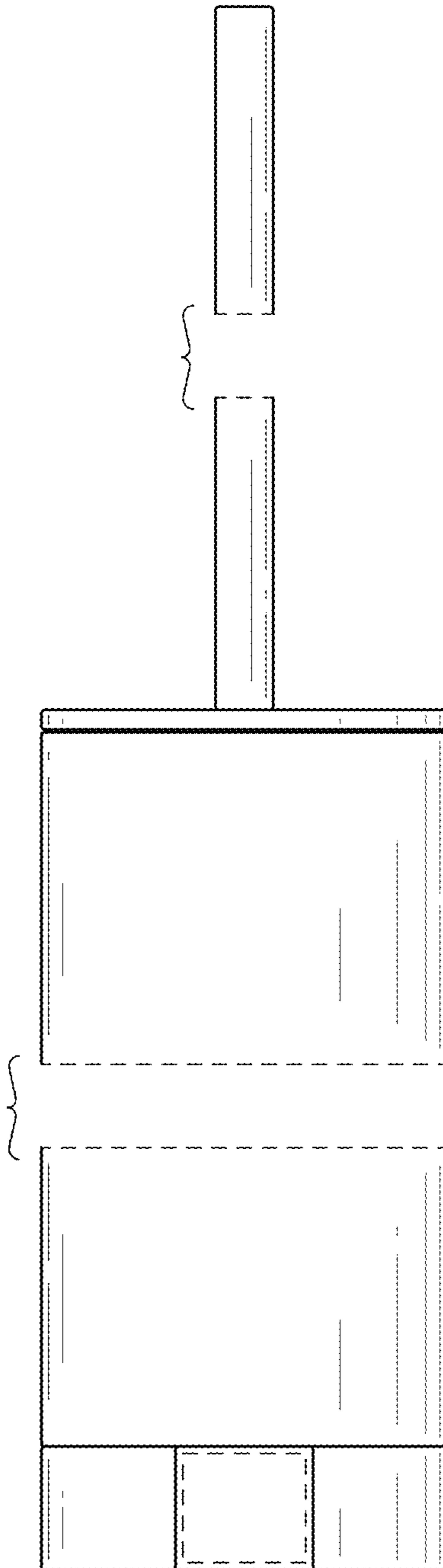


FIG.3

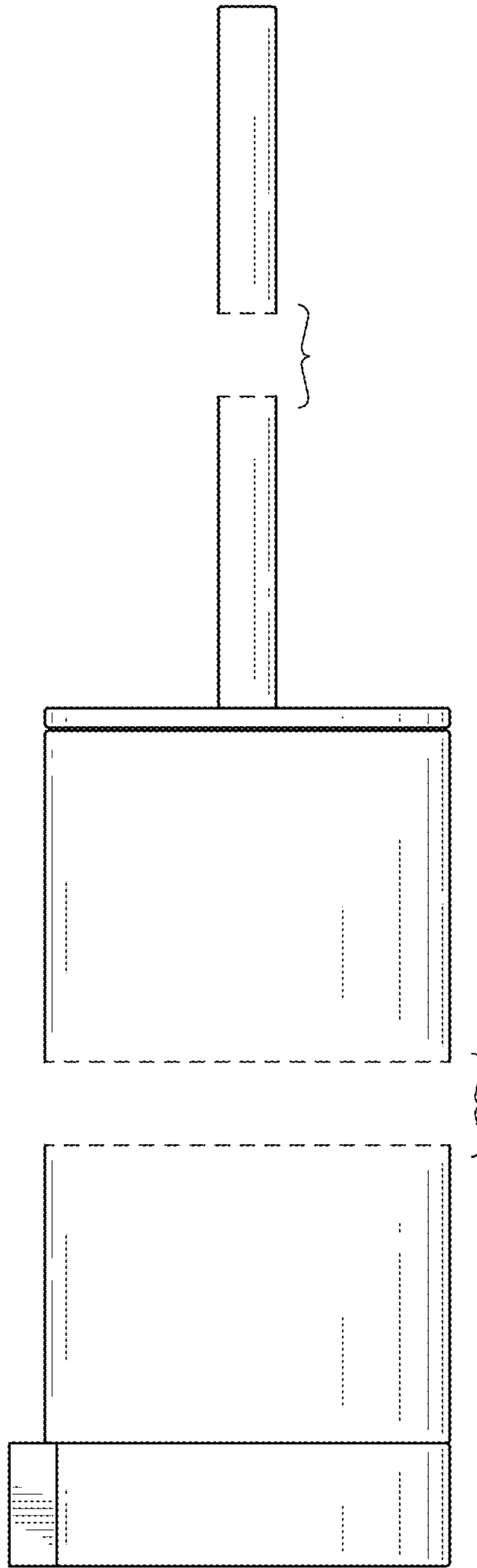


FIG.4

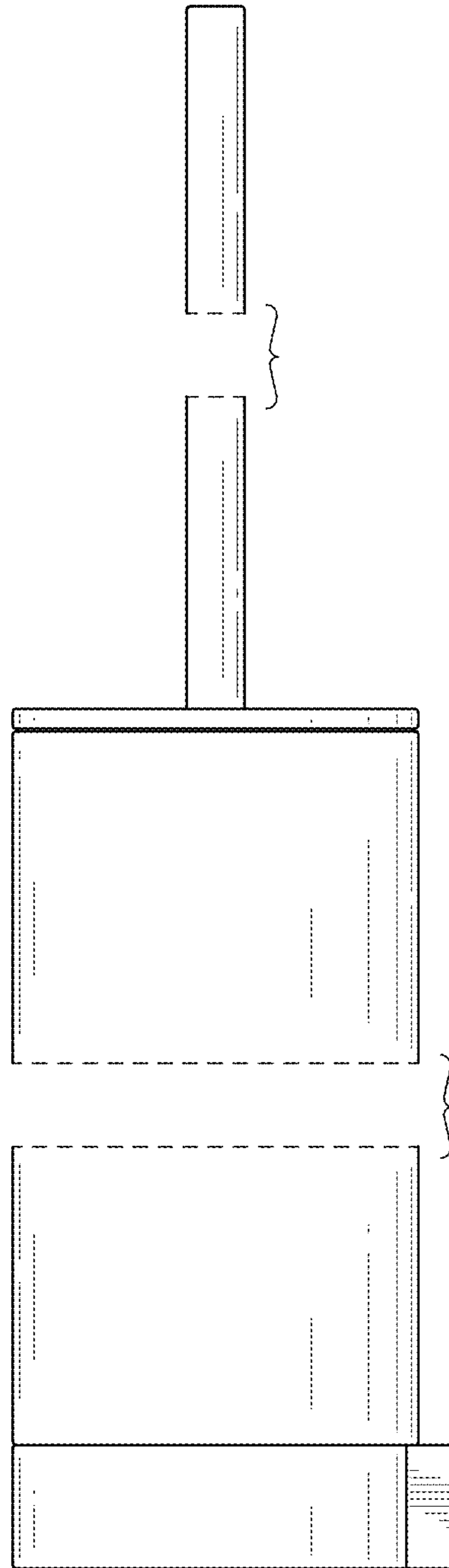


FIG.5

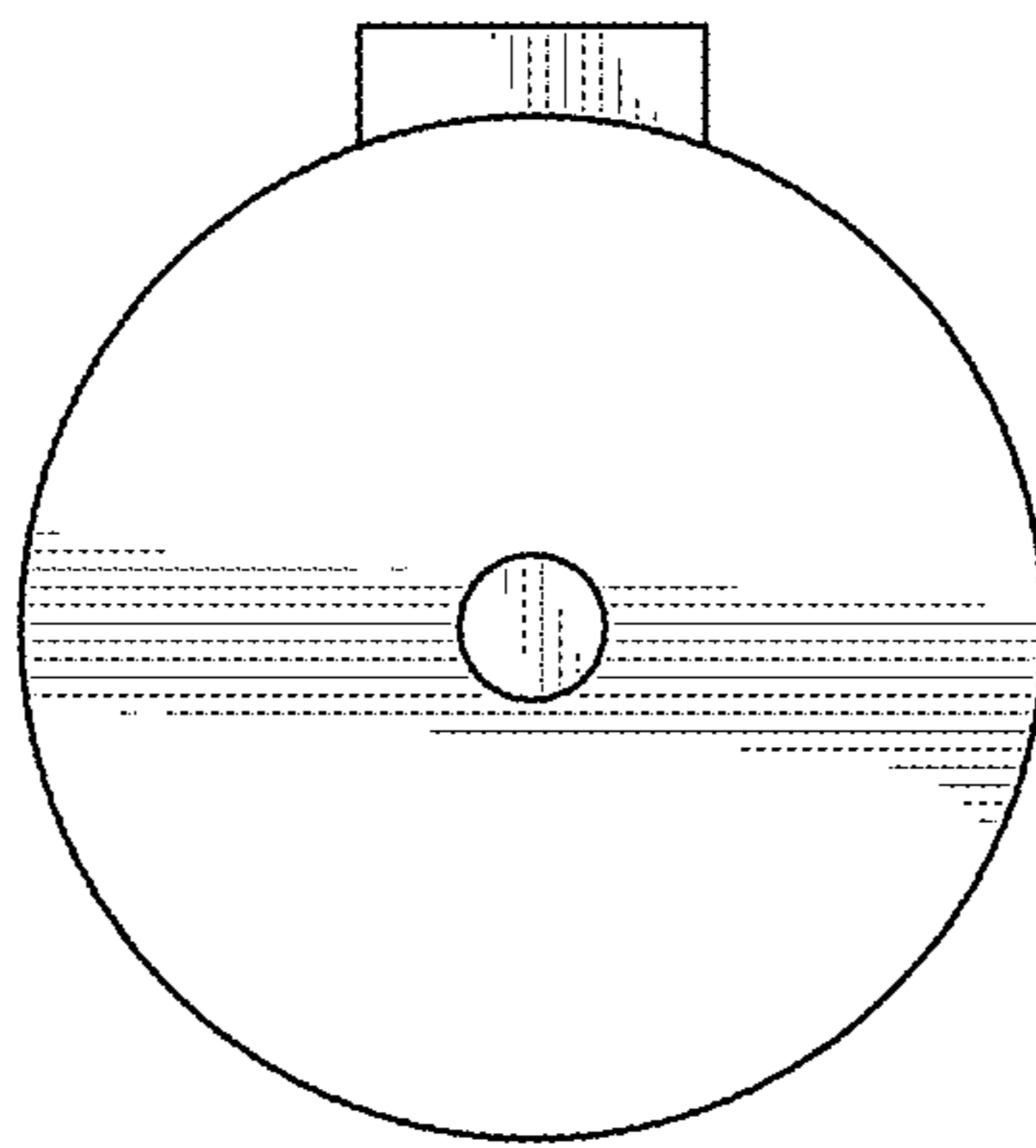


FIG. 6

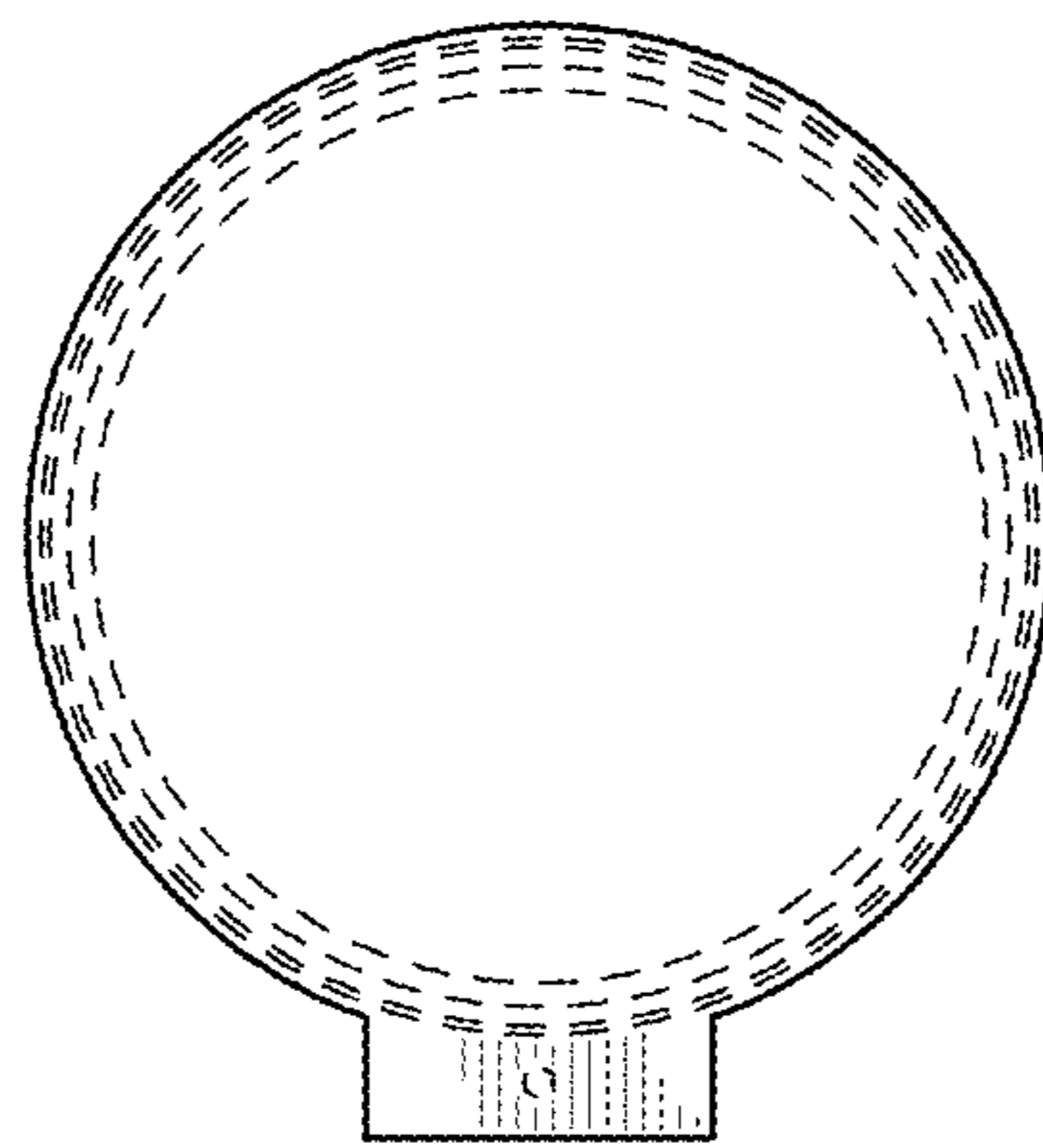


FIG.7