



US00D959170S

(12) **United States Design Patent** (10) **Patent No.:** **US D959,170 S**  
**Sklar** (45) **Date of Patent:** **\*\* Aug. 2, 2022**

(54) **MOTION ACTIVATED HAND SANITIZER DISPENSER WITH A HEADREST ATTACHMENT CLIP FOR A VEHICLE**

FOREIGN PATENT DOCUMENTS

CN 307084577 \* 1/2022

(71) Applicant: **Dan Sklar**, Dallas, TX (US)

OTHER PUBLICATIONS

(72) Inventor: **Dan Sklar**, Dallas, TX (US)

Hand Sanitizer Holder. PodShedz (online) 9 pgs. Available Jun. 18, 2020. [Retrieved May 2, 2022] <https://www.amazon.com/PodShedz-Sanitizer-Dashboards-Compatible-Pocketbac/dp/B088X2M93L> (Year: 2020).\*

(\*\*) Term: **15 Years**

(21) Appl. No.: **29/759,708**

(Continued)

(22) Filed: **Nov. 24, 2020**

*Primary Examiner* — Marie D. Fast Horse

*Assistant Examiner* — Jennifer Sierra Yosinski

(74) *Attorney, Agent, or Firm* — Michael Diaz

**Related U.S. Application Data**

(63) Continuation-in-part of application No. 29/759,705, filed on Nov. 24, 2020.

(51) **LOC (13) Cl.** ..... **23-08**

(52) **U.S. Cl.**

USPC ..... **D6/542**

(58) **Field of Classification Search**

USPC ..... D6/54, 542-545, 540, 515, 527, 530;  
D9/448, 504, 454, 688, 500, 691-693;  
D23/238, 225, 247, 270-275, 355, 356,  
D23/360, 362, 364, 365, 366; D32/29.1;  
D7/598; D10/118; D14/240, 140.1,  
D14/140.5, 140.6, 223, 217, 209;  
D3/205, 208, 294; D13/108; D28/47;  
241/602; 239/343, 34, 36; 222/105, 173,  
222/180, 181.1, 181.2, 181.3, 82  
CPC ..... A47K 5/1217; A47K 5/12; A47K 5/1207;  
A47K 5/14; A47K 2005/1218; A45D  
27/02; A45D 27/06; B05B 11/00; B05B  
17/00

See application file for complete search history.

(56) **References Cited**

**U.S. PATENT DOCUMENTS**

D371,674 S \* 7/1996 Williams ..... D3/215  
D409,374 S \* 5/1999 Laba ..... D3/218  
D439,647 S \* 3/2001 Audebourg ..... D23/366

(Continued)

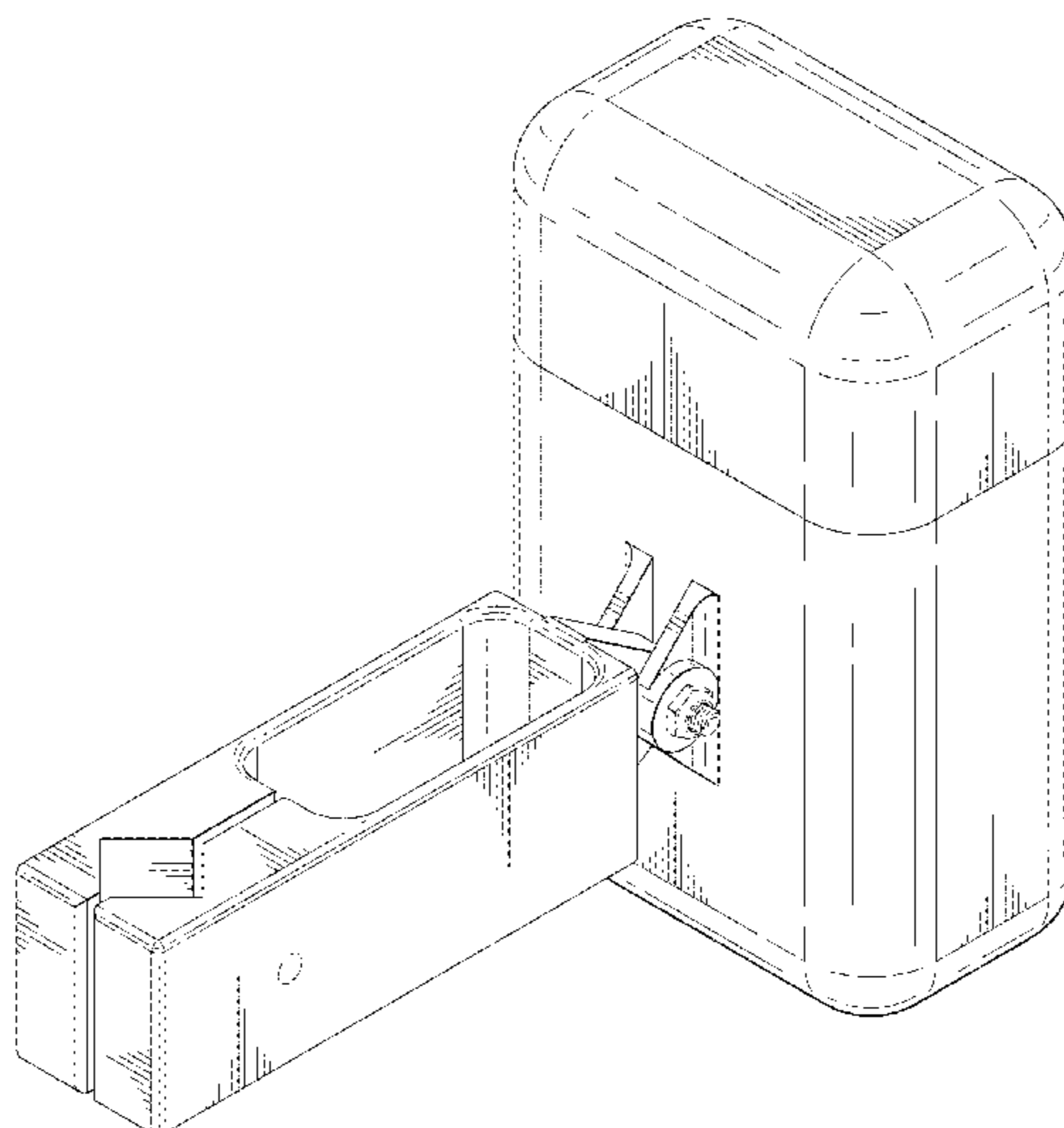
(57) **CLAIM**

The ornamental design for a motion activated hand sanitizer dispenser with a headrest attachment clip for a vehicle, substantially as shown and described.

**DESCRIPTION**

FIG. 1 is a top perspective view of a motion activated hand sanitizer dispenser with a headrest attachment clip of a vehicle;  
FIG. 2 is a front view of the hand sanitizer dispenser;  
FIG. 3 is a rear view of the hand sanitizer dispenser;  
FIG. 4 is a right-side view of the hand sanitizer dispenser;  
FIG. 5 is a left-side view of the hand sanitizer dispenser;  
FIG. 6 is top view of the hand sanitizer dispenser;  
FIG. 7 is a bottom view of the hand sanitizer dispenser; and,  
FIG. 8 is a bottom perspective view of the hand sanitizer dispenser.  
The broken lines in the drawings depict portions of the motion activated hand sanitizer dispenser with a headrest attachment clip for a vehicle that form no part of the claim.

**1 Claim, 8 Drawing Sheets**



(56)

**References Cited**

U.S. PATENT DOCUMENTS

D553,232	S *	10/2007	Furuya .....	D23/366
D647,193	S *	10/2011	Kim .....	D23/366
D648,018	S *	11/2011	Sordo .....	D23/366
D660,407	S *	5/2012	Tebe Poves .....	D23/366
D682,590	S *	5/2013	Gilboe .....	D6/545
D693,597	S *	11/2013	Yang .....	D6/542
D747,118	S *	1/2016	Lisbona Vives .....	D6/545
D794,765	S *	8/2017	Brandenburg .....	D23/366
D803,377	S *	11/2017	Gobber .....	D23/366
D804,006	S *	11/2017	Gobber .....	D23/366
D818,268	S *	5/2018	Akana .....	D3/294
D869,629	S *	12/2019	Li .....	D23/366
D886,453	S *	6/2020	Wright .....	D3/294
D891,771	S *	8/2020	Lee .....	D3/215
D901,930	S *	11/2020	Reilly .....	D6/542
D926,490	S *	8/2021	Stang .....	D6/542
D933,595	S *	10/2021	Geng .....	D3/294
2009/0127351	A1 *	5/2009	Powell .....	A61L 9/14
				239/69
2014/0251370	A1 *	9/2014	Klopf .....	A61C 15/043
				132/321

OTHER PUBLICATIONS

“The ‘Dropi’ Can be Positioned or Mounted Almost Anywhere.”  
 TrendHunter (online) 2 pgs. Available Oct. 26, 2020. [Retrieved  
 May 2, 2022] <https://www.trendhunter.com/trends/automatic-hand-sanitizer-dispenser> (Year: 2020).\*

\* cited by examiner

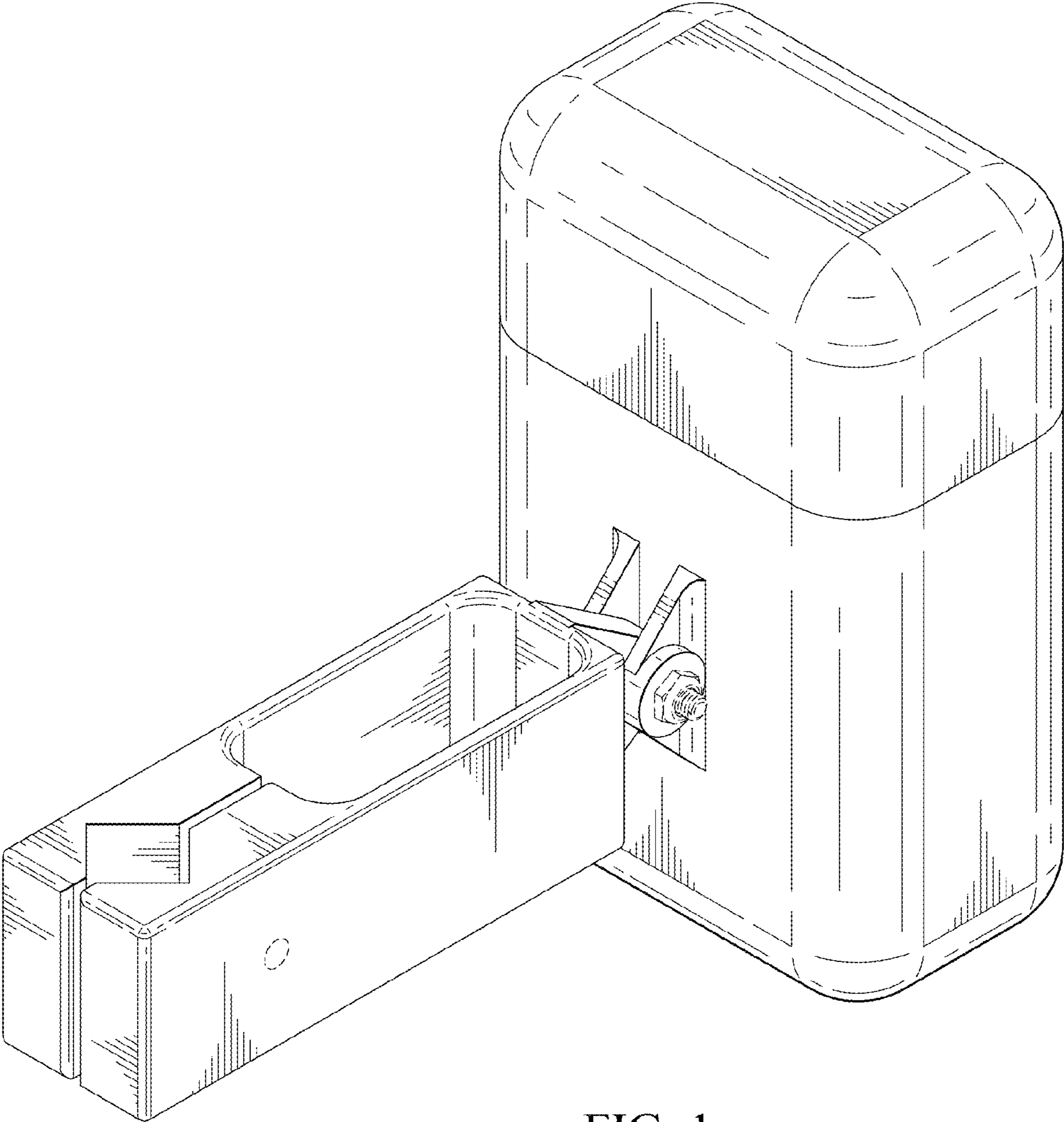


FIG. 1

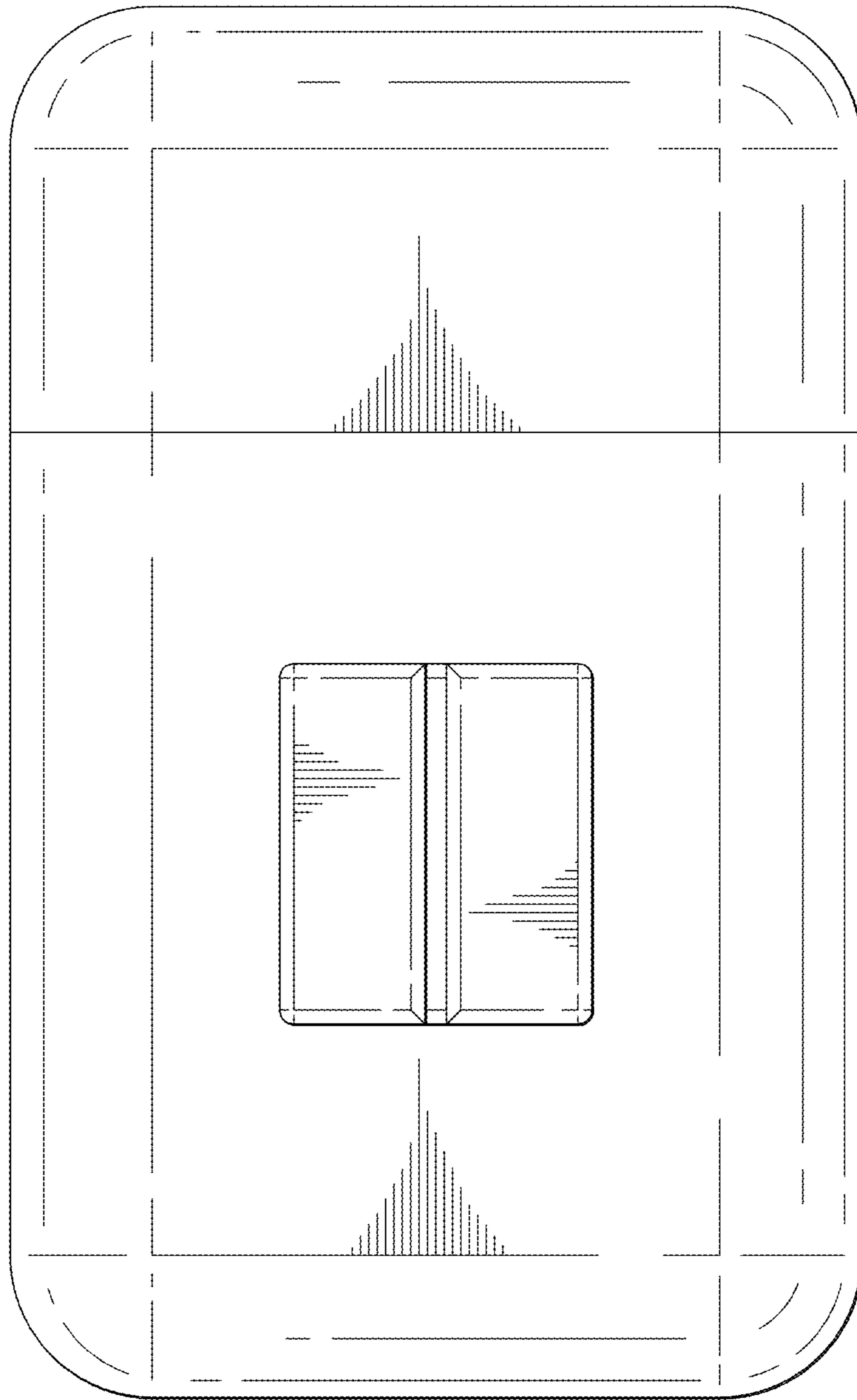


FIG. 2

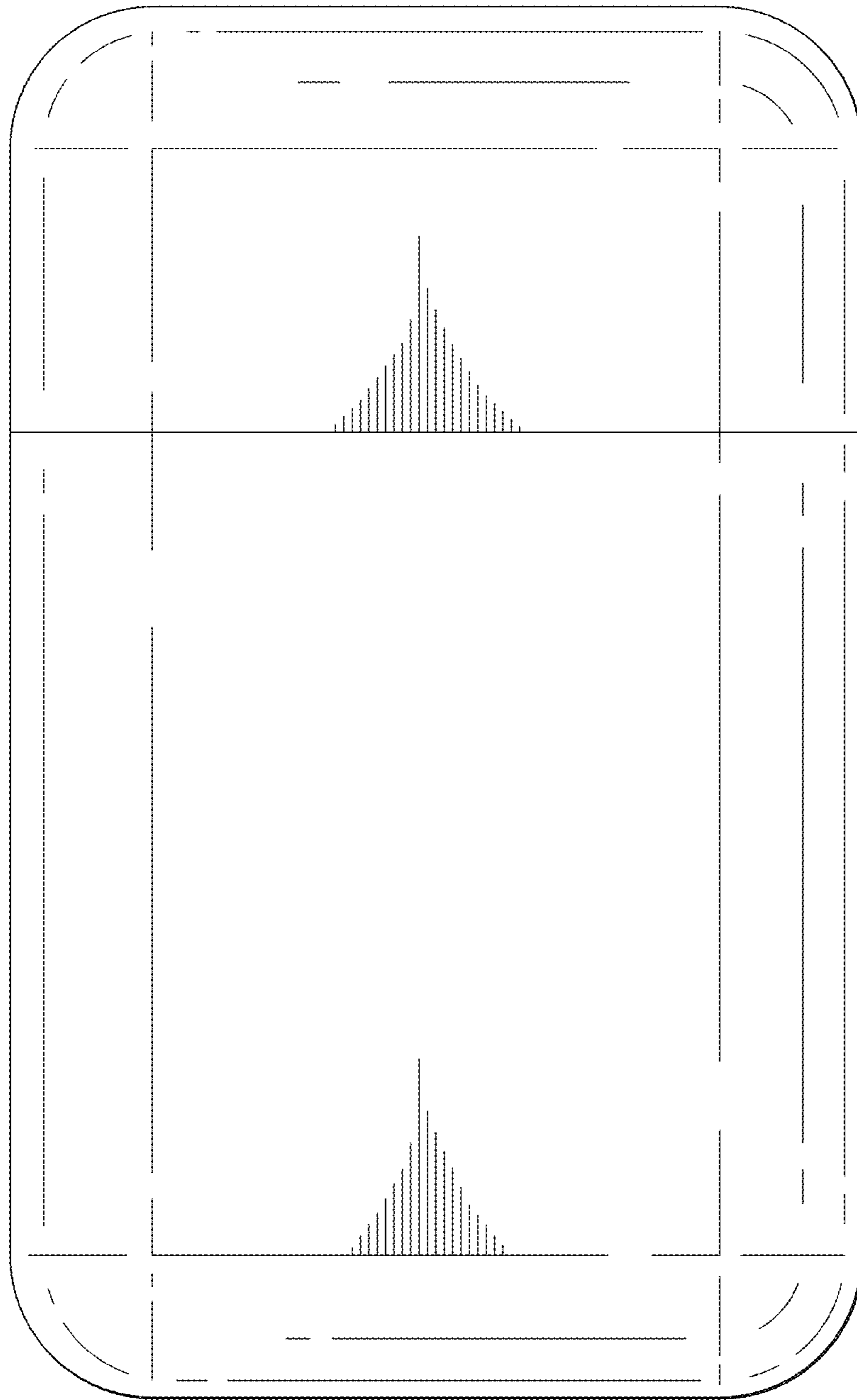


FIG. 3

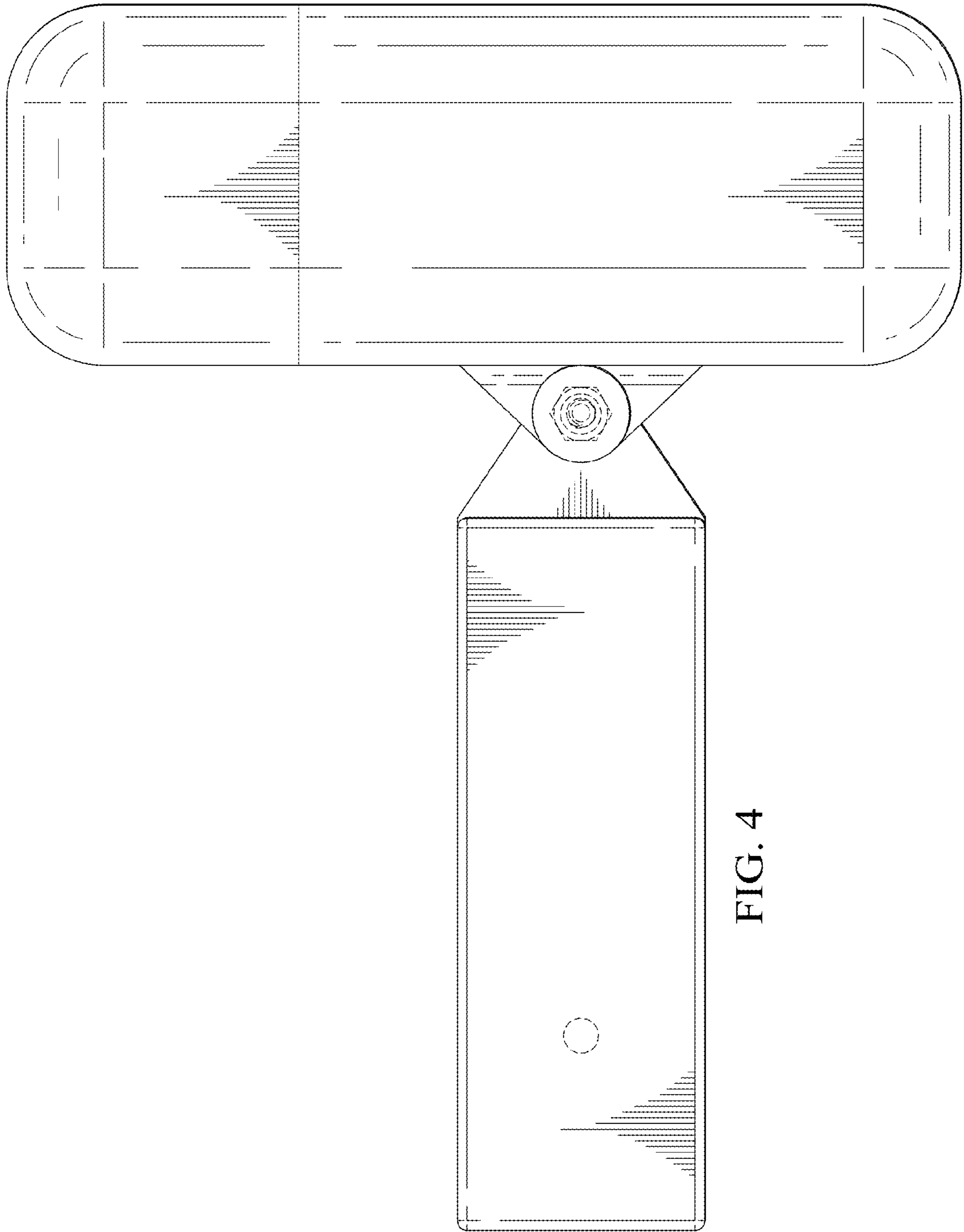


FIG. 4

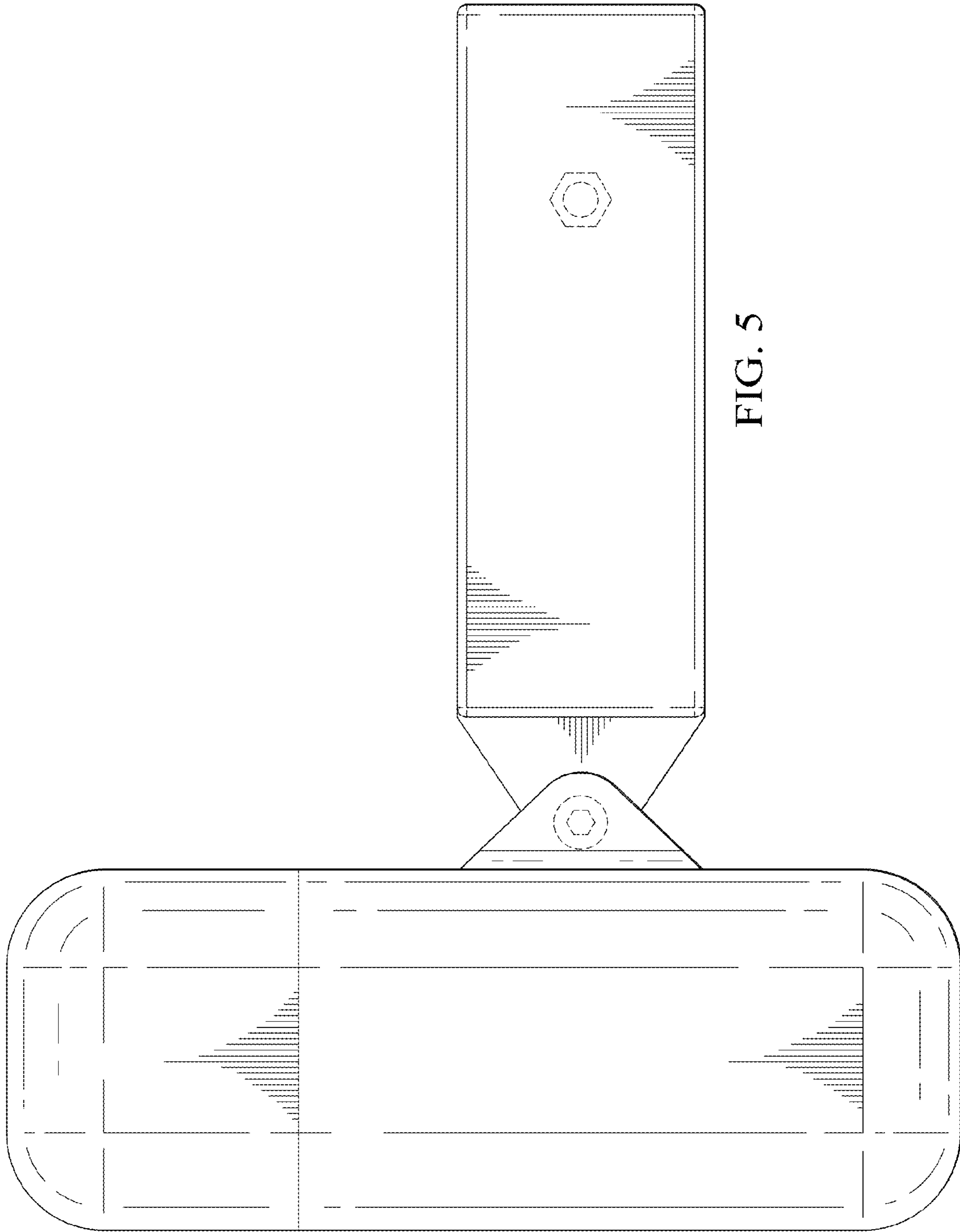


FIG. 5

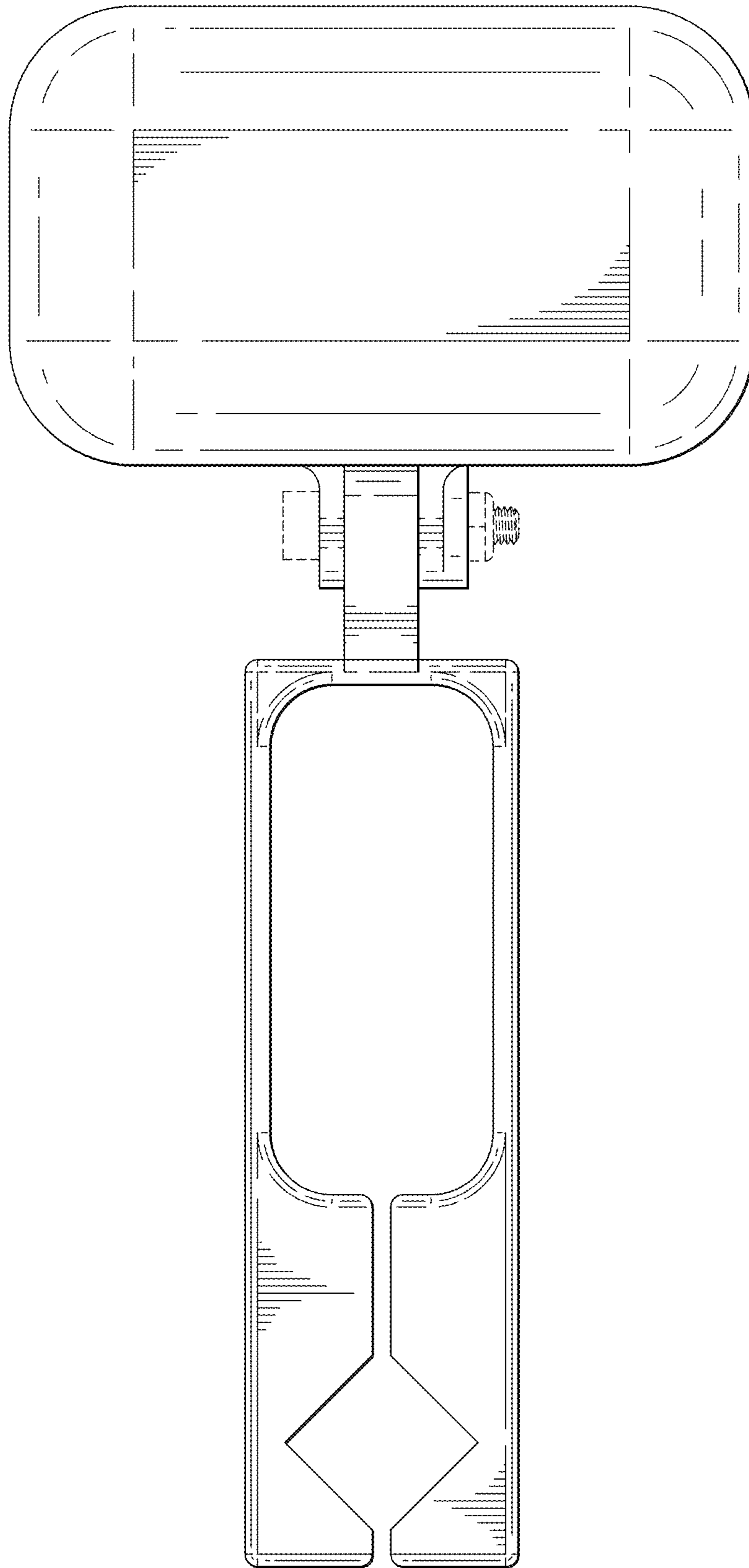


FIG. 6



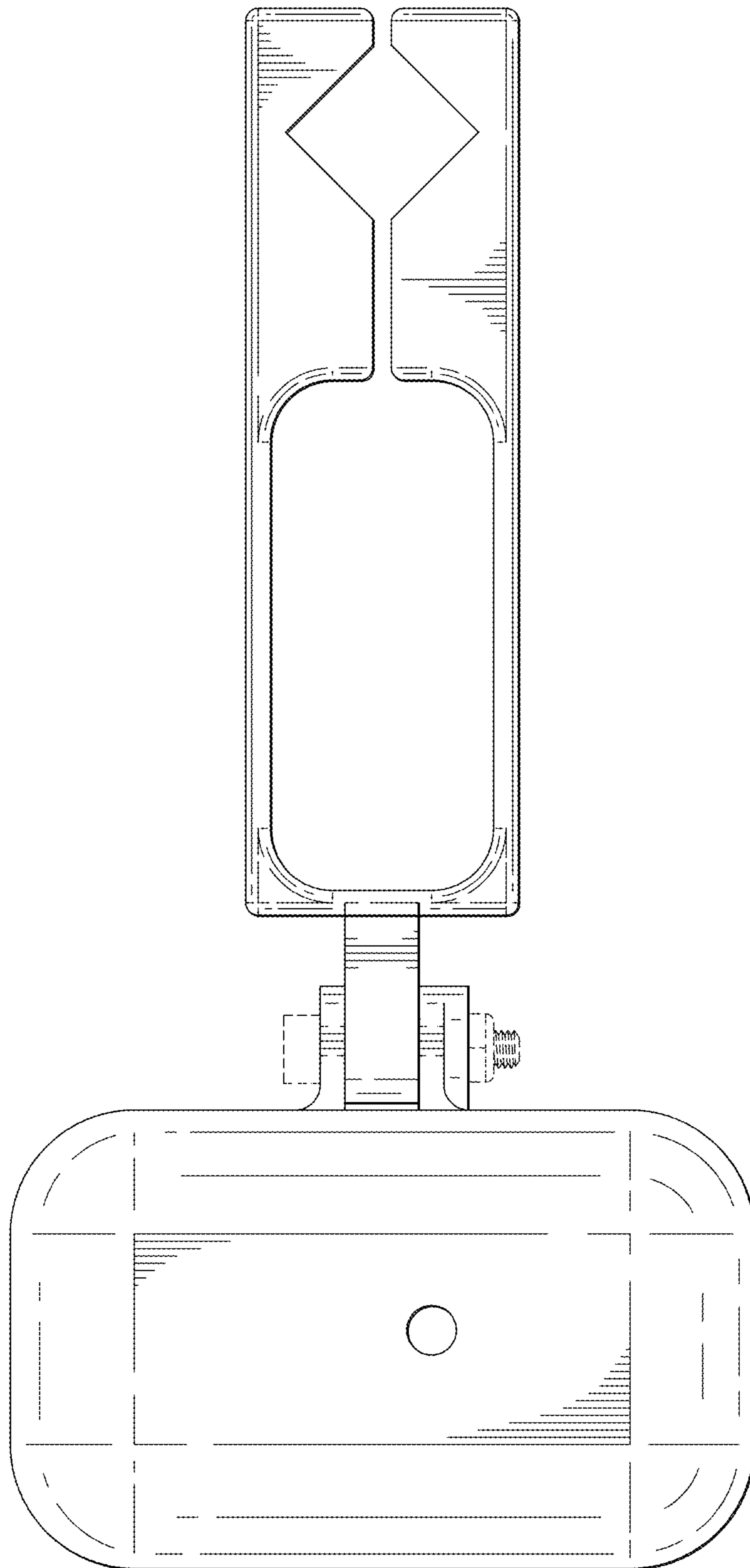


FIG. 7

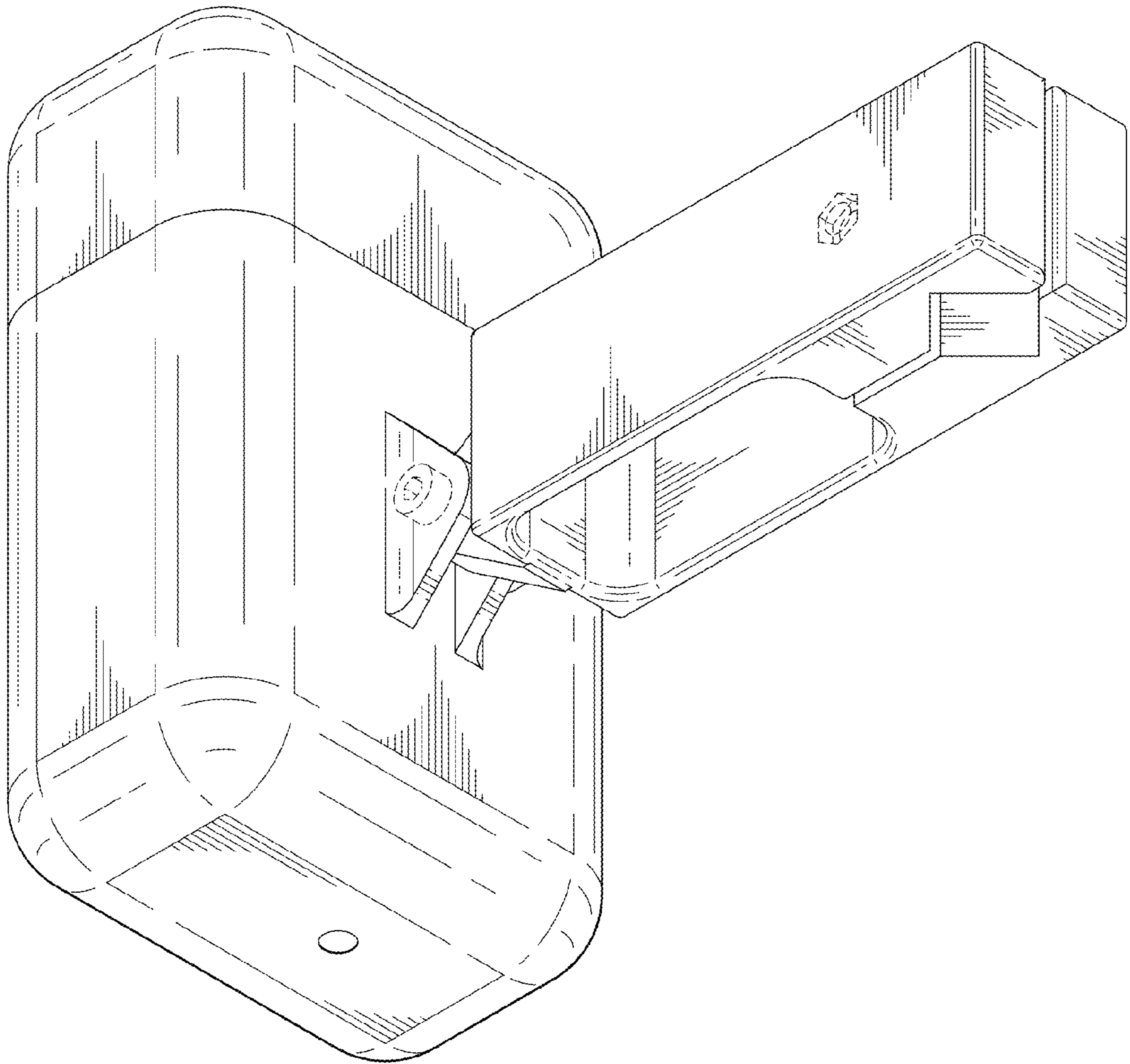


FIG. 8