



US00D959169S

(12) **United States Design Patent** (10) **Patent No.:** **US D959,169 S**
Sklar (45) **Date of Patent:** **** Aug. 2, 2022**

(54) **MOTION ACTIVATED HAND SANITIZER DISPENSER WITH AN AIR VENT MOUNTING CLIP FOR A VEHICLE**

D660,407 S * 5/2012 Tebe Poves D23/366
D682,590 S * 5/2013 Gilboe D6/545
D693,597 S * 11/2013 Yang D6/542

(Continued)

(71) Applicant: **Dan Sklar**, Dallas, TX (US)

FOREIGN PATENT DOCUMENTS

(72) Inventor: **Dan Sklar**, Dallas, TX (US)

CN 307084577 * 1/2022

(**) Term: **15 Years**

OTHER PUBLICATIONS

(21) Appl. No.: **29/759,705**

Hand Sanitizer Holder. PodShedz (online) 9 pgs. Available Jun. 18, 2020. [Retrieved May 2, 2022] <https://www.amazon.com/PodShedz-Sanitizer-Dashboards-Compatible-Pocketbac/dp/B088X2M93L> (Year: 2020).*

(22) Filed: **Nov. 24, 2020**

(51) **LOC (13) Cl.** **23-08**

(52) **U.S. Cl.**
USPC **D6/542**

(Continued)

(58) **Field of Classification Search**
USPC D6/524, 542-545, 540, 515, 527, 530;
D9/448, 504, 454, 688, 500, 691-693;
D23/238, 225, 247, 270-275, 355, 356,
D23/360, 362, 364, 365, 366; D32/29.1;
D7/598; D10/118; D14/240, 140.1,
D14/140.5, 140.6, 223, 217, 209;
D3/205, 208, 294; D13/108; D28/47;
241/602; 239/343, 34, 36; 222/105, 173,
222/180, 181.1, 181.2, 181.3, 82
CPC A47K 5/1217; A47K 5/12; A47K 5/1207;
A47K 5/14; A47K 2005/1218; A45D
27/02; A45D 27/06; B05B 11/00; B05B
17/00

Primary Examiner — Marie D. Fast Horse
Assistant Examiner — Jennifer Sierra Yosinski
(74) *Attorney, Agent, or Firm* — Michael Diaz

(57) **CLAIM**

The ornamental design for a motion activated hand sanitizer dispenser with an air vent mounting clip for a vehicle, substantially as shown and described.

DESCRIPTION

FIG. 1 is a top perspective view of a motion activated hand sanitizer dispenser with an air vent mounting clip for a vehicle;

FIG. 2 is a front view of the hand sanitizer dispenser;
FIG. 3 is a rear view of the hand sanitizer dispenser;
FIG. 4 is a right-side view of the hand sanitizer dispenser;
FIG. 5 is a left-side view of the hand sanitizer dispenser;
FIG. 6 is top view of the hand sanitizer dispenser;
FIG. 7 is a bottom view of the hand sanitizer dispenser; and,
FIG. 8 is a bottom perspective view of the hand sanitizer dispenser.

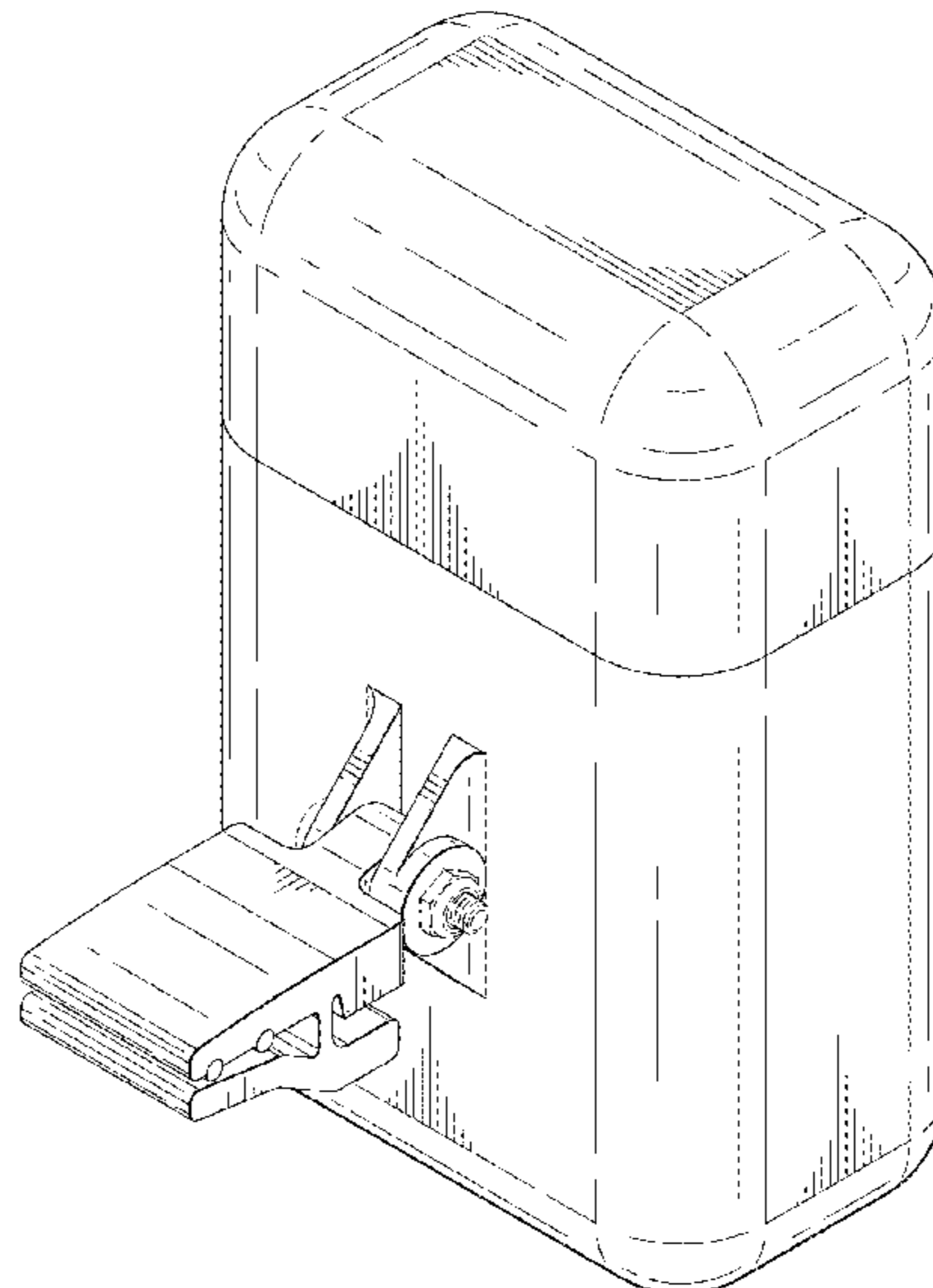
The broken lines in the drawings depict portions of the motion activated hand sanitizer dispenser with an air vent mounting clip for a vehicle that form no part of the claim.

(56) **References Cited**

U.S. PATENT DOCUMENTS

D371,674 S * 7/1996 Williams D3/215
D409,374 S * 5/1999 Laba D3/218
D439,647 S * 3/2001 Audebourg D23/366
D553,232 S * 10/2007 Furuya D23/366
D647,193 S * 10/2011 Kim D23/366
D648,018 S * 11/2011 Sordo D23/366

1 Claim, 8 Drawing Sheets



(56)

References Cited

U.S. PATENT DOCUMENTS

D747,118	S *	1/2016	Lisbona Vives	D6/545
D794,765	S *	8/2017	Brandenburg	D23/366
D803,377	S *	11/2017	Gobber	D23/366
D804,006	S *	11/2017	Gobber	D23/366
D818,268	S *	5/2018	Akana	D3/294
D869,629	S *	12/2019	Li	D23/366
D886,453	S *	6/2020	Wright	D3/294
D891,771	S *	8/2020	Lee	D3/215
D901,930	S *	11/2020	Reilly	D6/542
D926,490	S *	8/2021	Stang	D6/542
D933,595	S *	10/2021	Geng	D3/294
2009/0127351	A1 *	5/2009	Powell	A61L 9/14 239/69
2014/0251370	A1 *	9/2014	Klopf	A61C 15/043 132/321

OTHER PUBLICATIONS

“The ‘Dropi’ Can be Positioned or Mounted Almost Anywhere.”
TrendHunter (online) 2 pgs. Available Oct. 26, 2020. [Retrieved
May 2, 2022] <https://www.trendhunter.com/trends/automatic-hand-sanitizer-dispenser> (Year: 2020).*

* cited by examiner

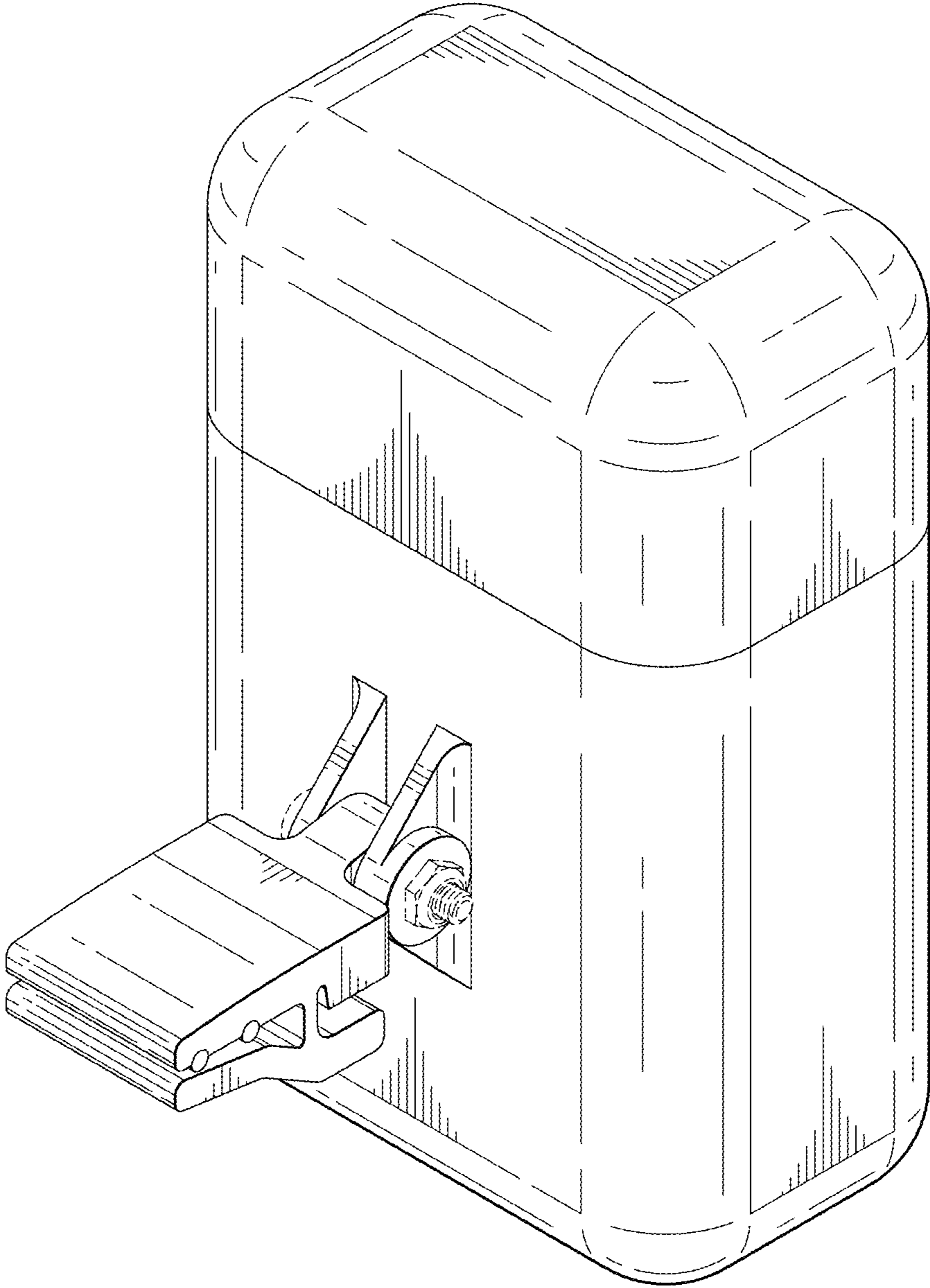


FIG. 1

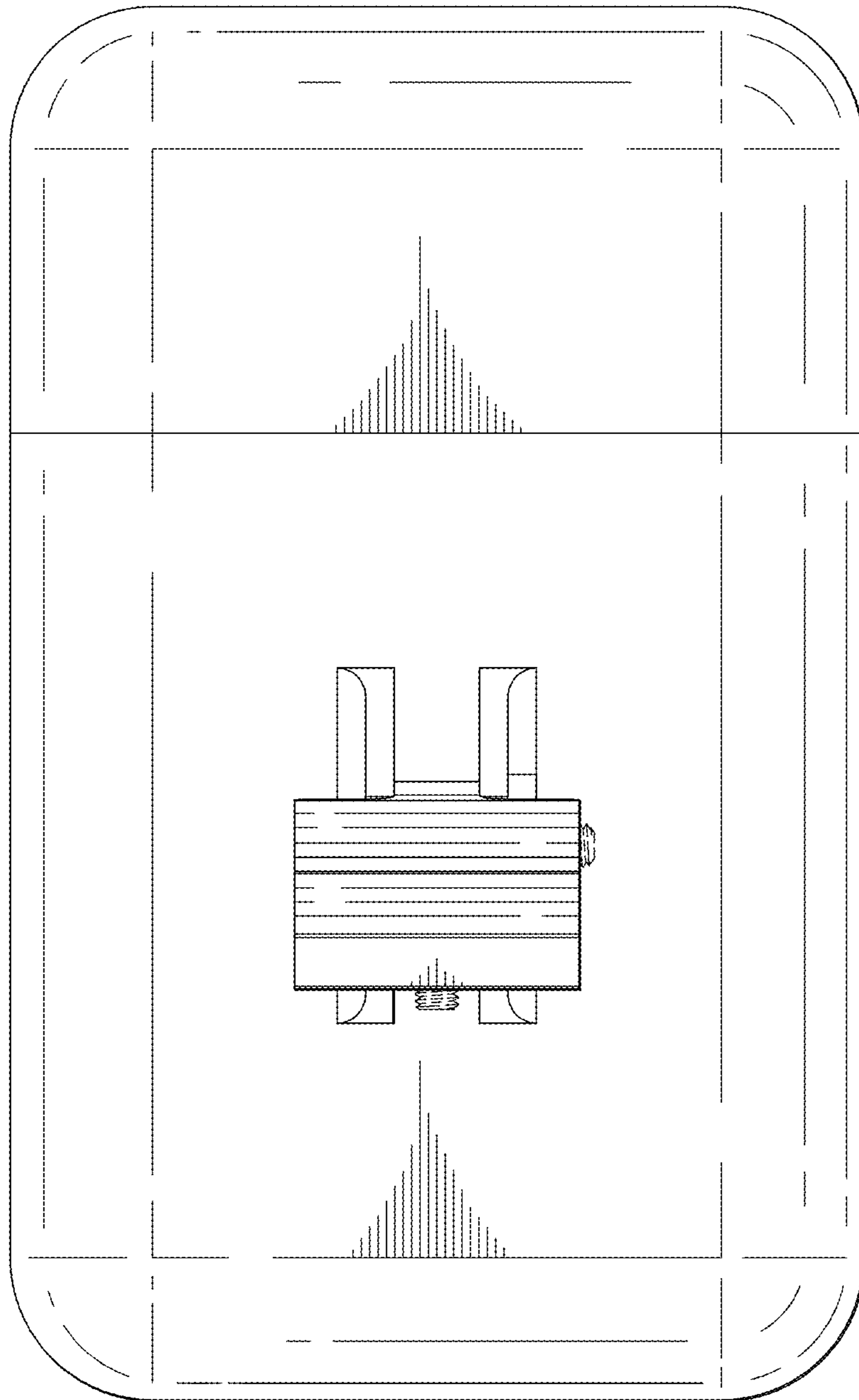


FIG. 2

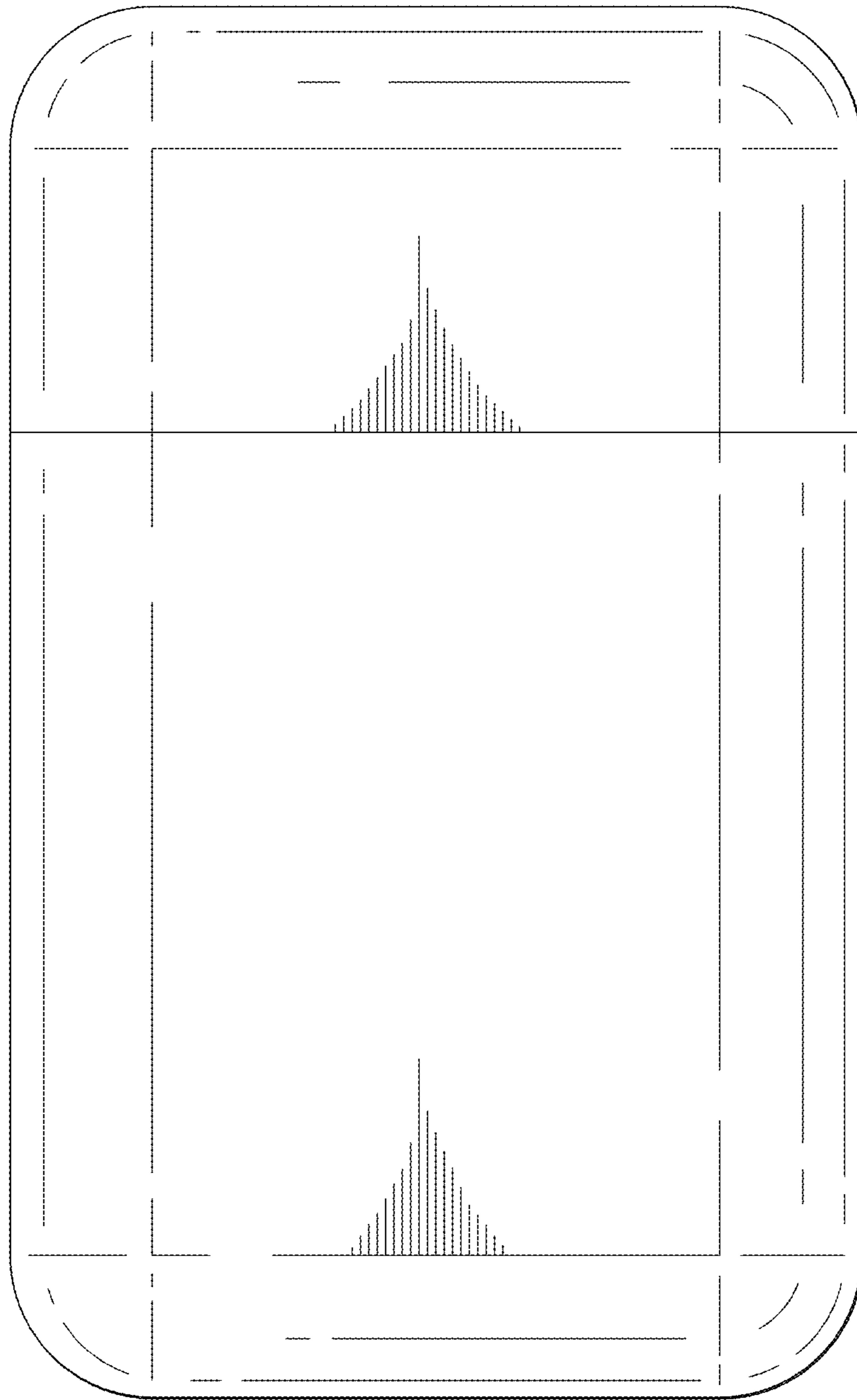


FIG. 3

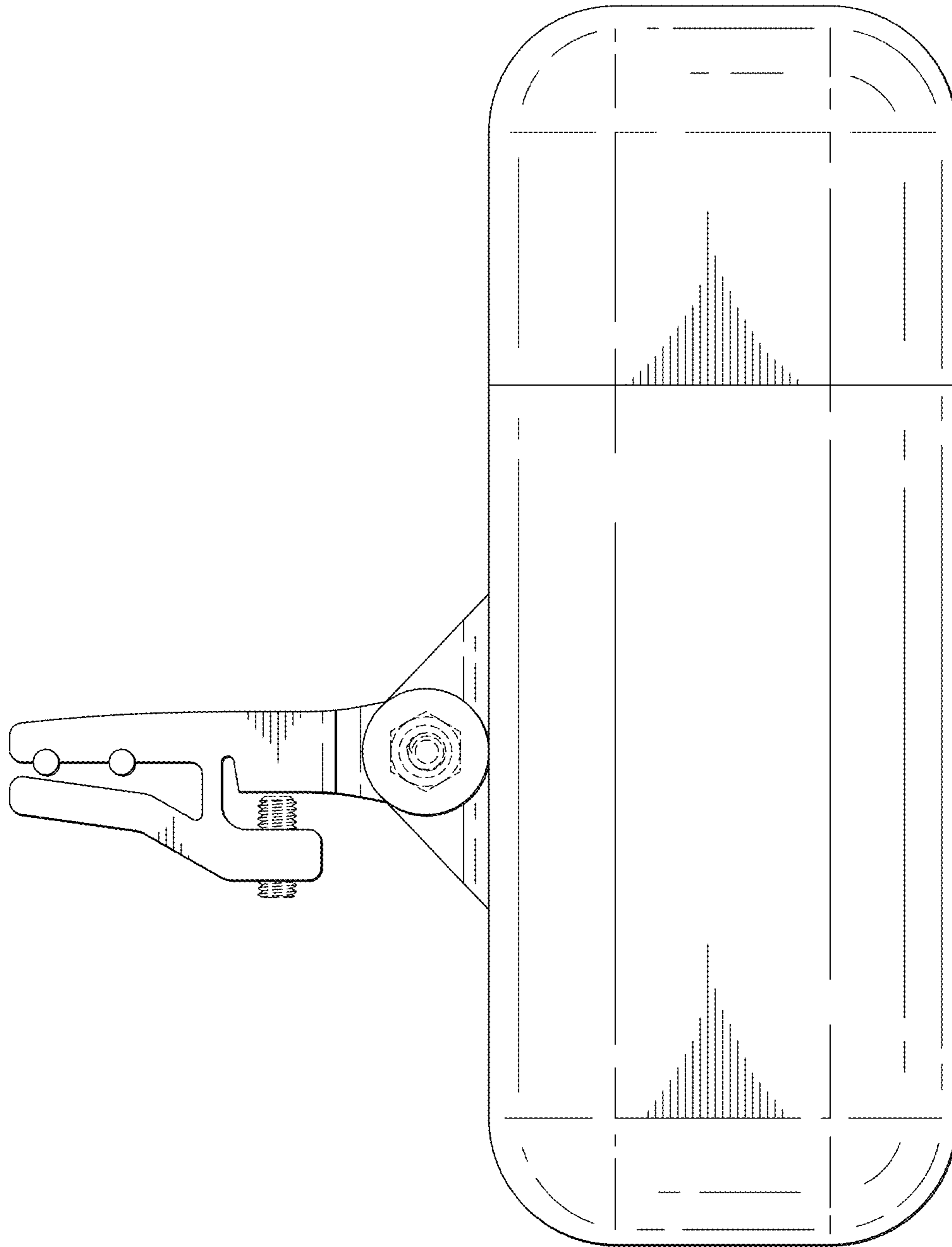


FIG. 4

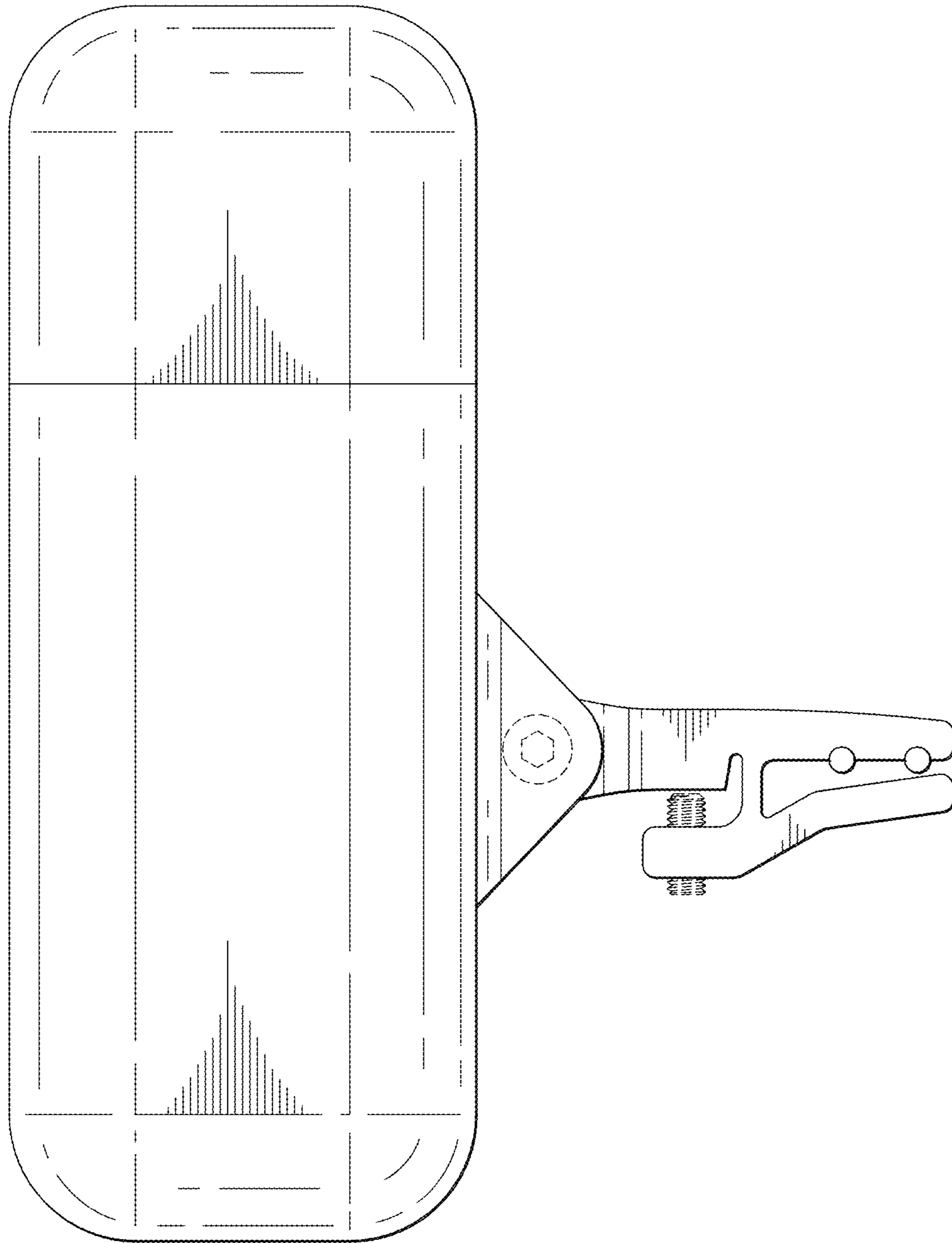


FIG. 5

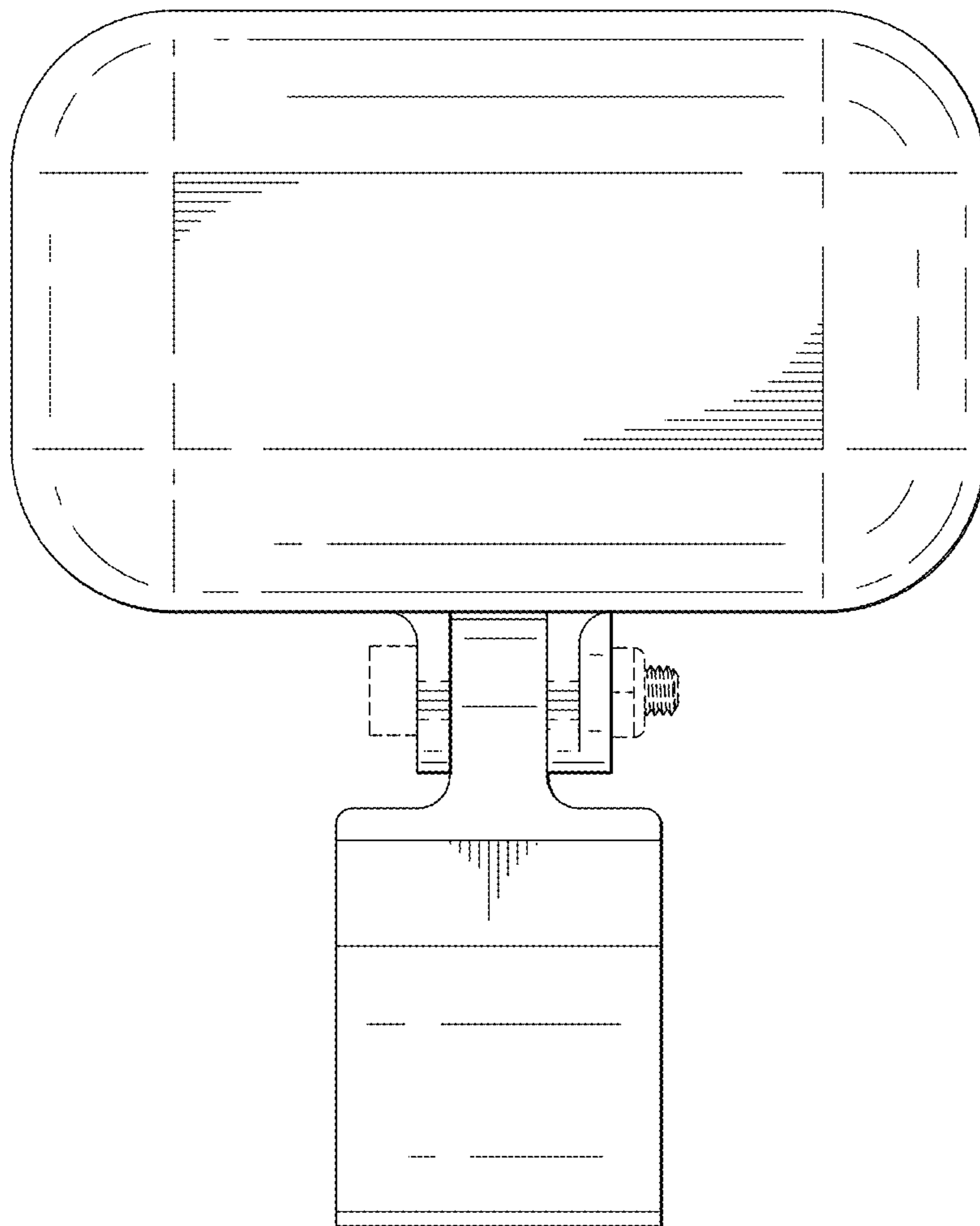


FIG. 6

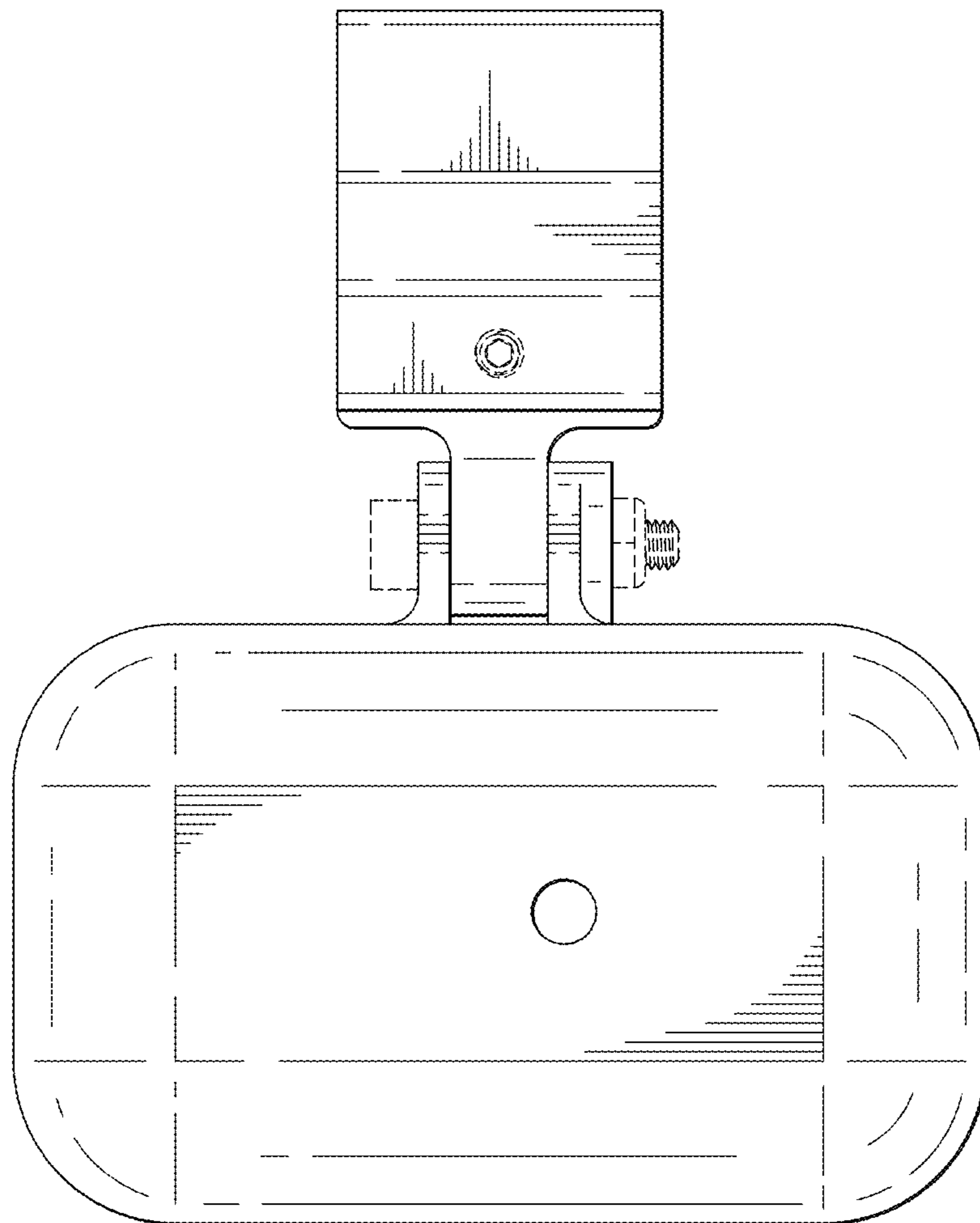


FIG. 7

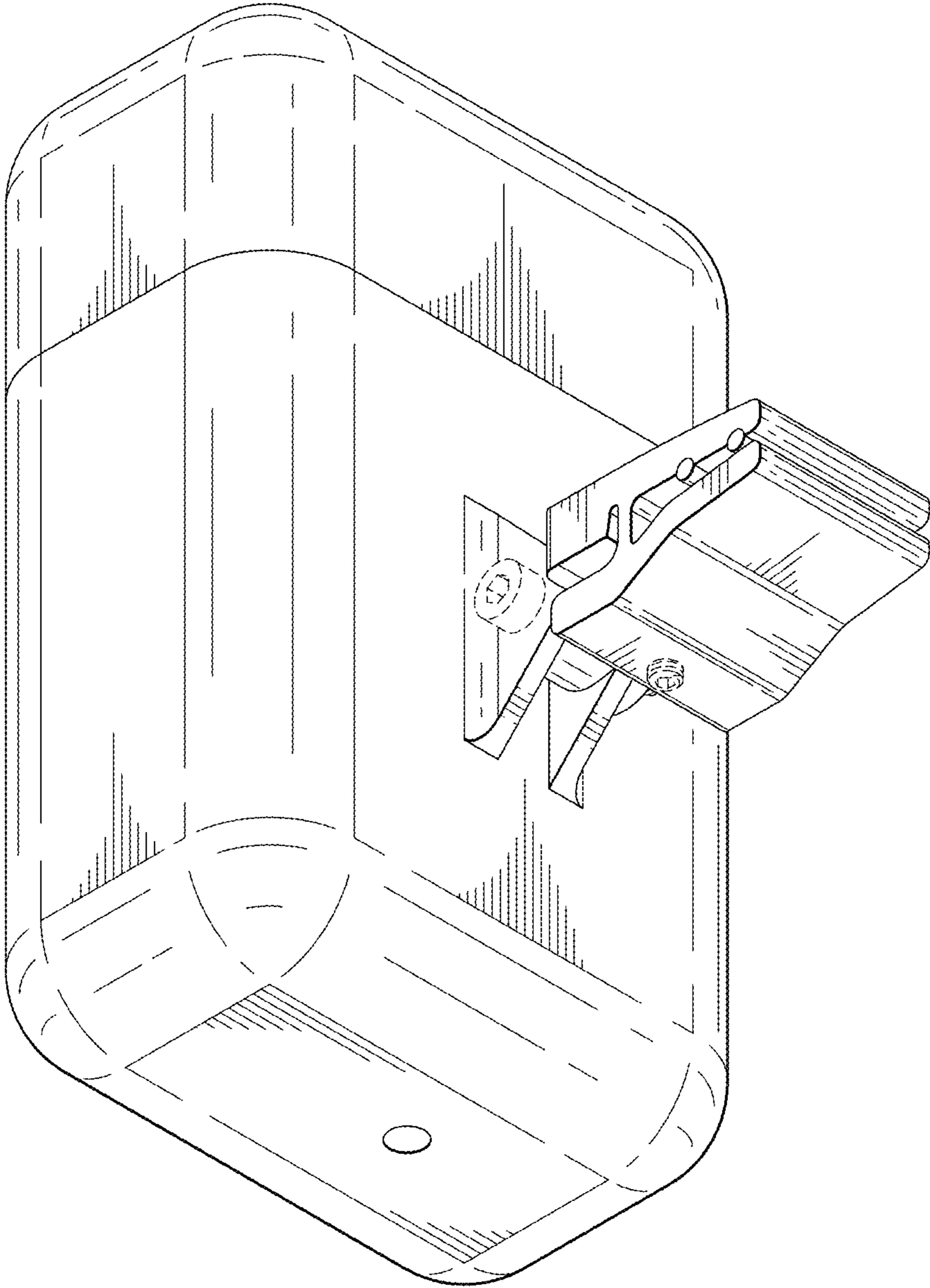


FIG. 8