



US00D959167S

(12) **United States Design Patent**
Huang

(10) **Patent No.:** **US D959,167 S**

(45) **Date of Patent:** **** Aug. 2, 2022**

(54) **PAPER TOWEL HOLDER**

(71) Applicant: **Guangxin Huang**, Guangdong (CN)

(72) Inventor: **Guangxin Huang**, Guangdong (CN)

(**) Term: **15 Years**

(21) Appl. No.: **29/709,881**

(22) Filed: **Oct. 18, 2019**

(51) **LOC (13) Cl.** **23-02**

(52) **U.S. Cl.**

USPC **D6/522**

(58) **Field of Classification Search**

USPC D6/552, 521, 518-520, 522; 206/389,
206/391; 211/13.1, 45, 59.1, 89.01;
248/309.1, 309.2; 242/598.4, 598.6,
242/599.4

CPC A47K 10/04; A47K 10/02; A47K 10/10;
A47K 10/3836; A47K 2010/324; A47K
2010/389; B08B 1/006

See application file for complete search history.

(56) **References Cited**

U.S. PATENT DOCUMENTS

D303,472 S * 9/1989 Manhart D6/553
D398,466 S * 9/1998 Odom D6/521

D570,143 S * 6/2008 Bigelow D6/520
7,445,176 B2 * 11/2008 Byrd A47K 10/3836
242/597.6

D608,576 S * 1/2010 Goodman D6/522
D716,578 S * 11/2014 Lipper McCauley D6/521

* cited by examiner

Primary Examiner — Lilyana Bekic

Assistant Examiner — Mark Booker

(57) **CLAIM**

The ornamental design for a paper towel holder, as shown and described.

DESCRIPTION

FIG. 1 is a perspective view of a paper towel holder showing my new design;

FIG. 2 is a front elevational view thereof;

FIG. 3 is a rear elevational view thereof;

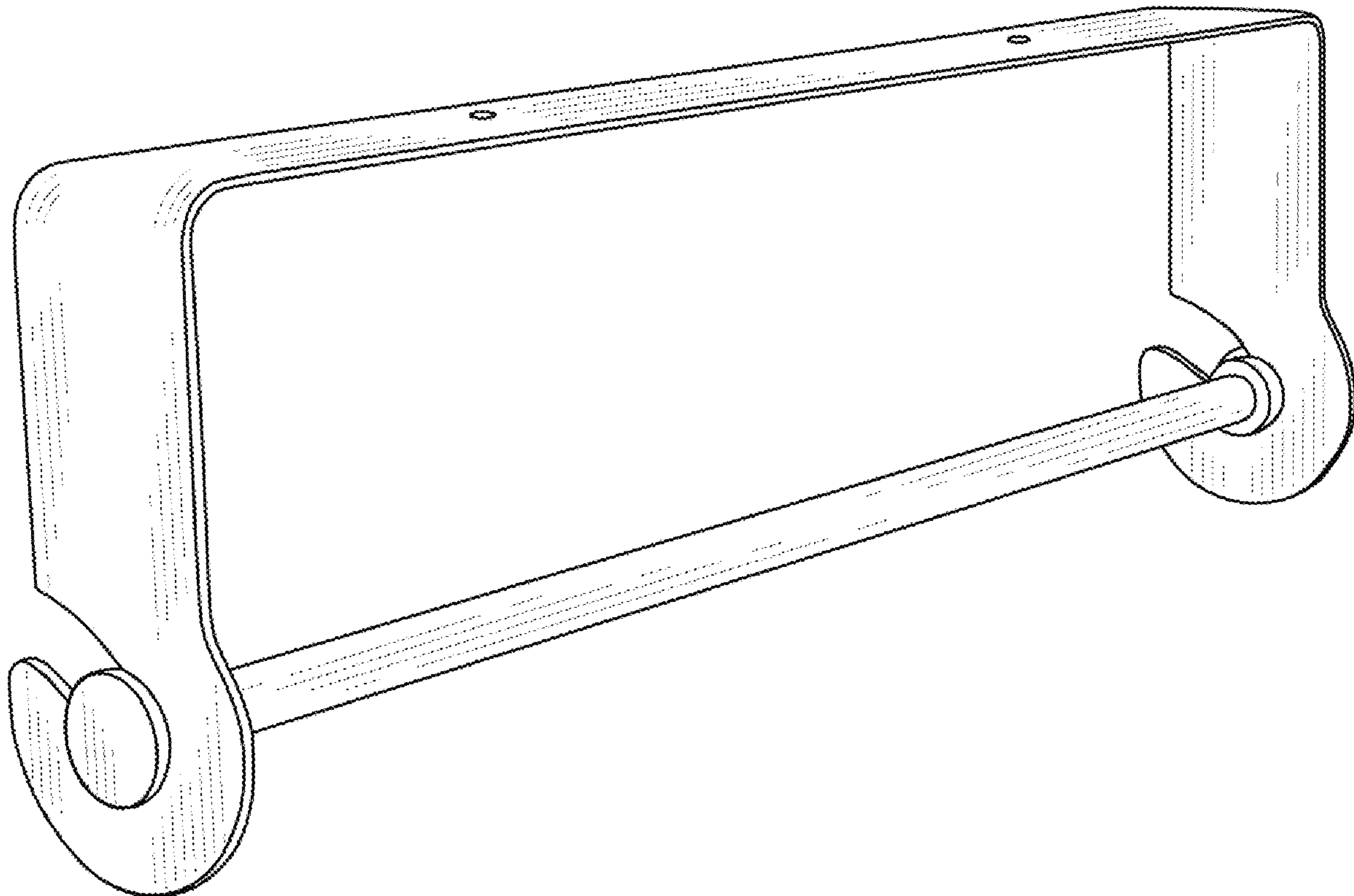
FIG. 4 is a left side elevational view thereof;

FIG. 5 is a right side elevational view thereof;

FIG. 6 is a top plan view thereof; and,

FIG. 7 is a bottom plan view thereof.

1 Claim, 7 Drawing Sheets



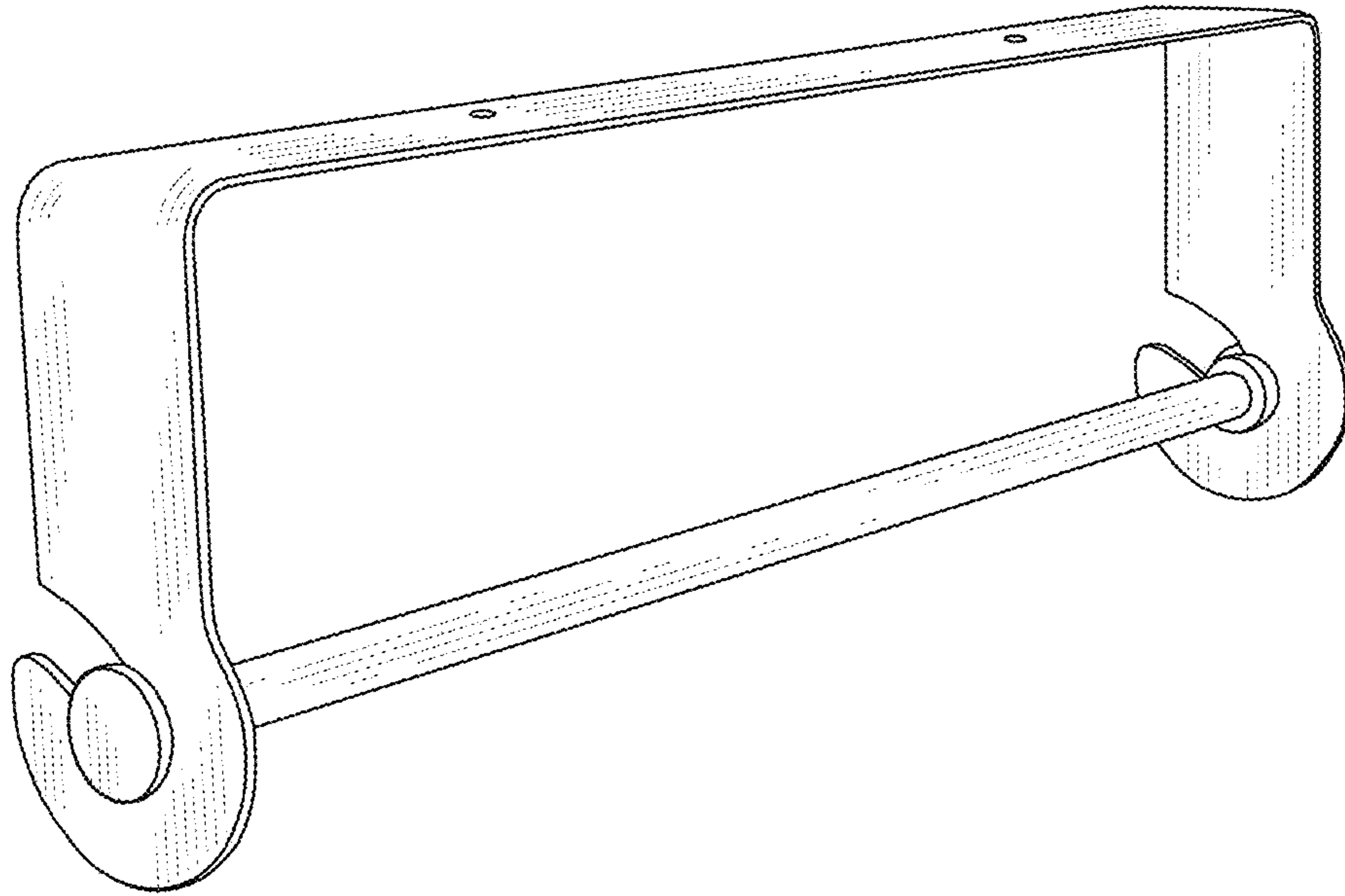


FIG. 1

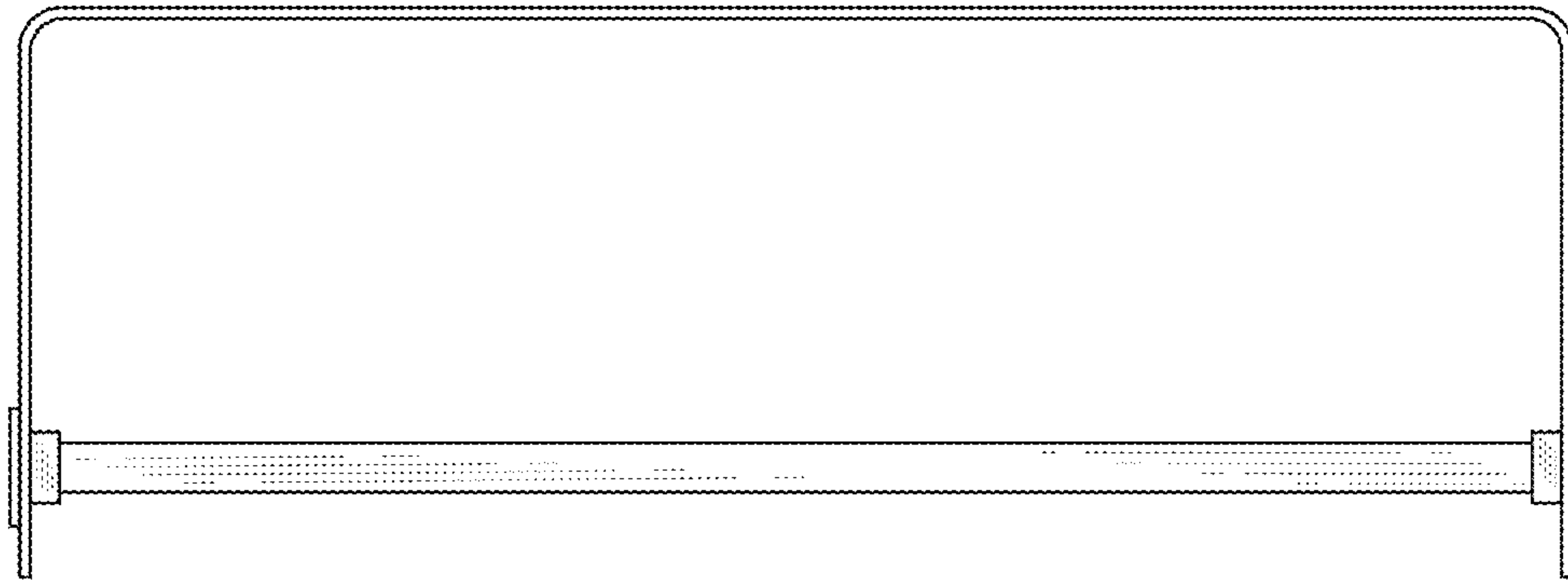


FIG. 2

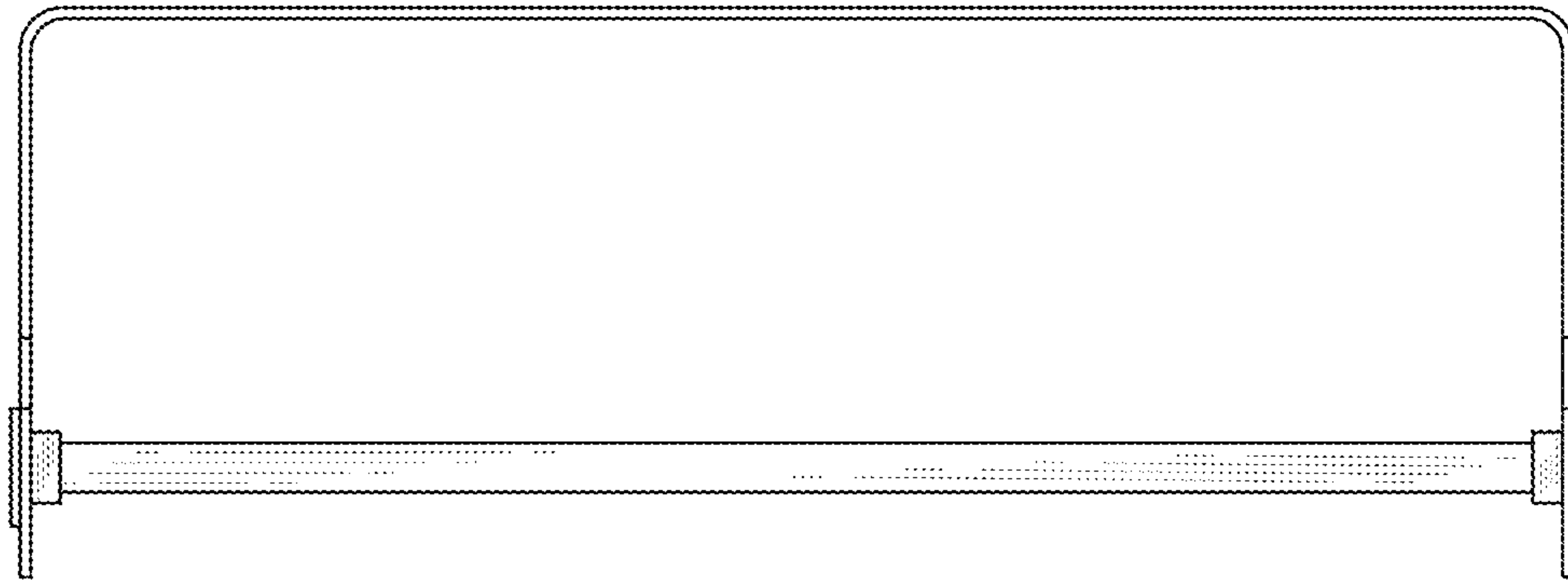


FIG. 3

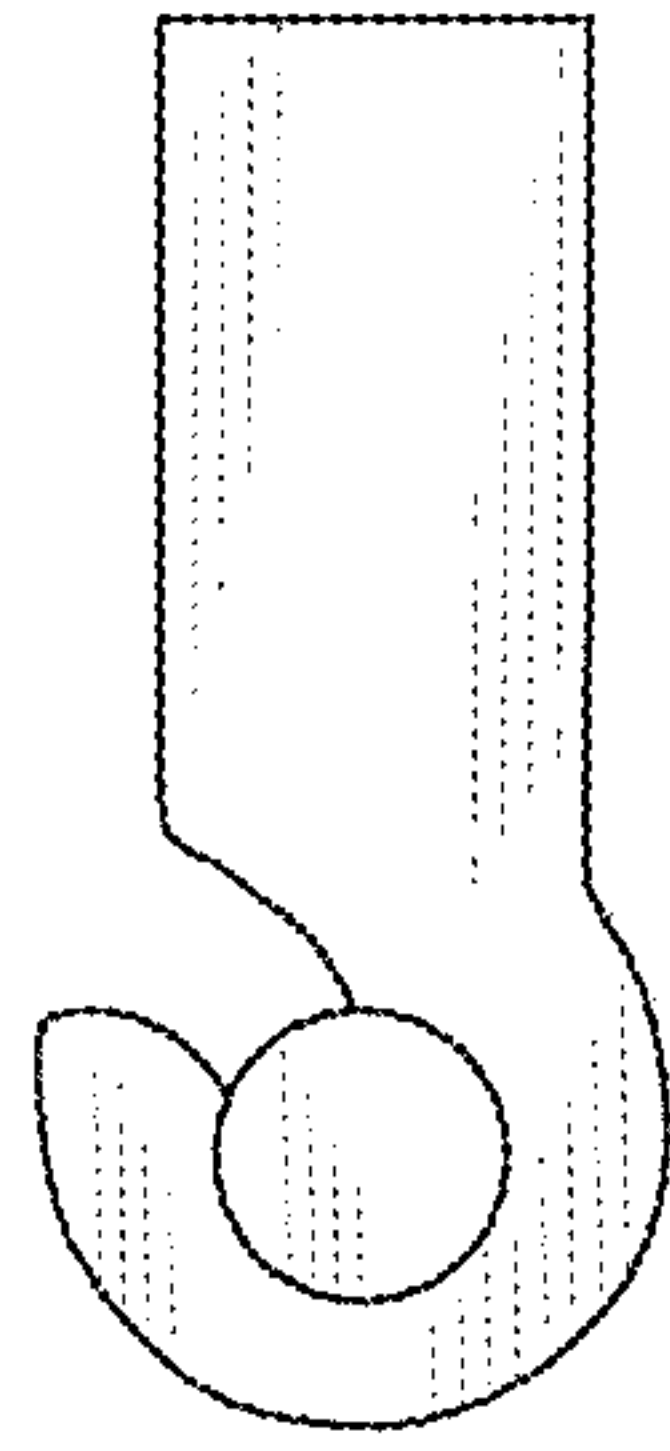


FIG. 4

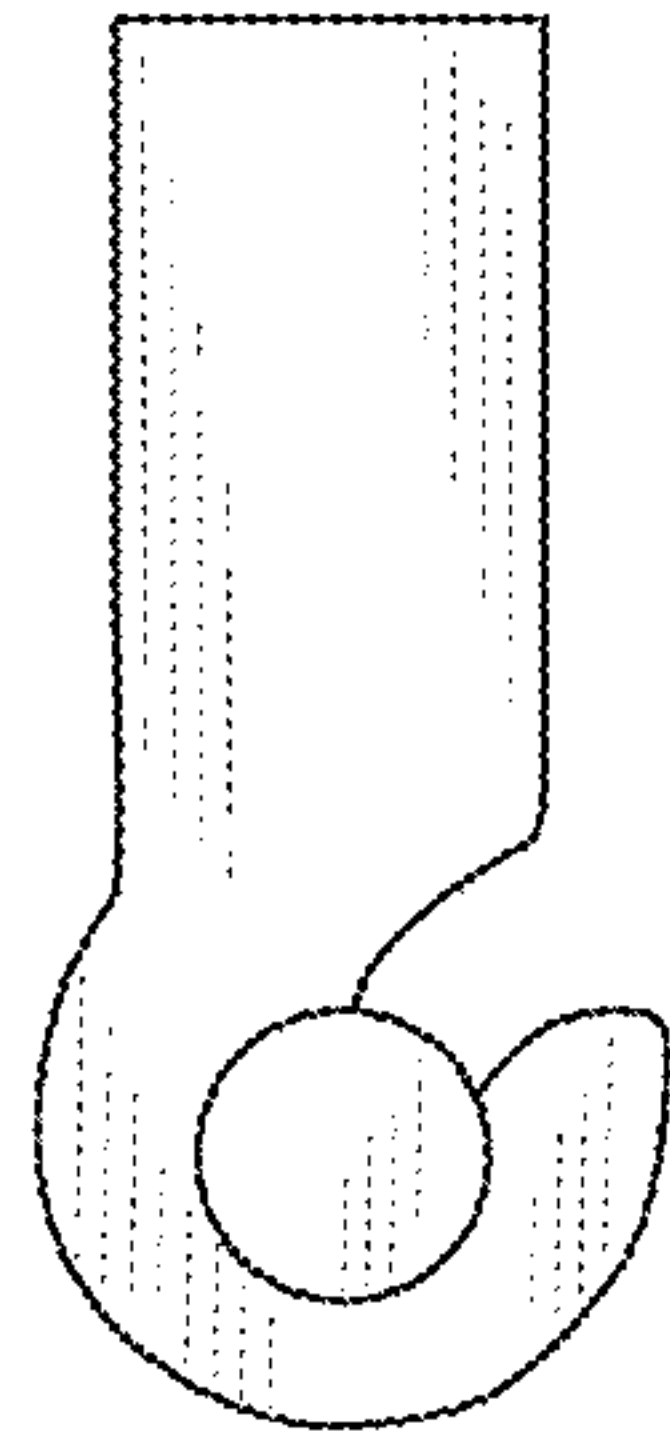


FIG. 5

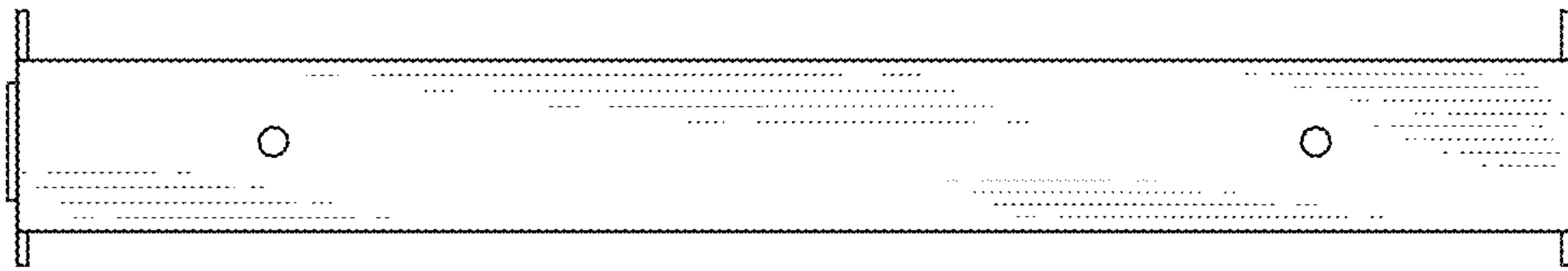


FIG. 6

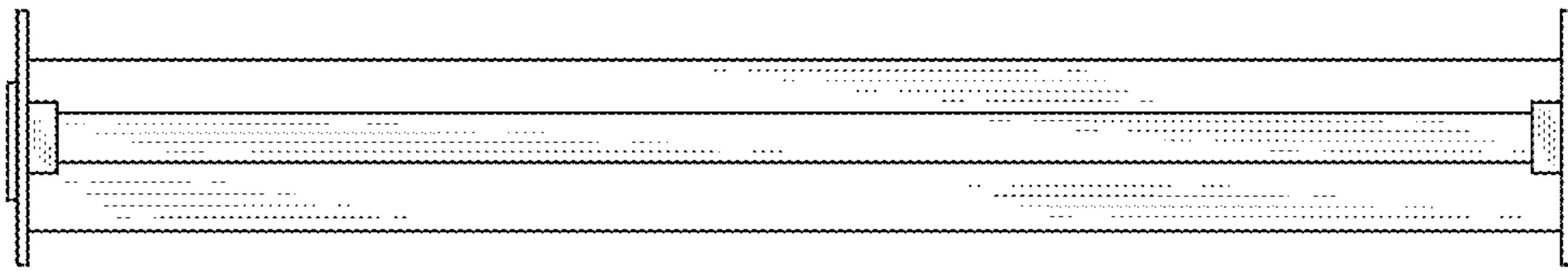


FIG. 7