



US00D959164S

(12) **United States Design Patent** (10) **Patent No.:** **US D959,164 S**  
**Lax** (45) **Date of Patent:** **\*\* Aug. 2, 2022**

(54) **COUCH**  
(71) Applicant: **Sancal Diseño, S.L.**, Yecla (ES)  
(72) Inventor: **Rafa García Lax**, Yecla (ES)  
(73) Assignee: **Sancal Diseño, S.L.**, Yecla (ES)  
(\*\*) Term: **15 Years**

D542,557 S \* 5/2007 Lade ..... D6/381  
D630,450 S \* 1/2011 Wold ..... D6/381  
D679,114 S \* 4/2013 Foersom ..... D6/381  
D805,798 S \* 12/2017 Vignatelli ..... D6/381

(21) Appl. No.: **29/753,516**  
(22) Filed: **Sep. 30, 2020**

**FOREIGN PATENT DOCUMENTS**

EM 008159925-0006 \* 9/2020  
GB 9007794235-0001 \* 4/2020

(30) **Foreign Application Priority Data**

Apr. 6, 2020 (EM) ..... 007794235-0001

(51) **LOC (13) Cl.** ..... **06-01**  
(52) **U.S. Cl.**  
USPC ..... **D6/381**

(58) **Field of Classification Search**  
USPC ..... D6/334-337, 349, 369, 374, 375, 377,  
D6/381  
CPC .. A47C 7/24; A47C 7/54; A47C 7/541; A47C  
7/546; A47C 17/00; A47C 17/02; A47C  
17/04; A47C 17/045; A47C 17/12; A47C  
17/13; A47C 17/132; A47C 17/134; A47C  
17/136; A47C 17/16; A47C 17/162; A47C  
17/17

See application file for complete search history.

(56) **References Cited**

**U.S. PATENT DOCUMENTS**

3,700,282 A \* 10/1972 Rowland ..... A47C 7/021  
297/440.23  
D278,872 S \* 5/1985 Roset ..... D6/381  
D465,670 S \* 11/2002 Bell ..... D6/375  
D466,324 S \* 12/2002 Nicoletti ..... D6/381  
D471,731 S \* 3/2003 Nicoletti ..... D6/381  
D514,335 S \* 2/2006 Patti ..... D6/334

**OTHER PUBLICATIONS**

Sancal Alpino [online], [site visited Nov. 4, 2021]. Available from internet, URL:<[https://www.archiproducts.com/en/products/sancal/2-seater-sofa-alpino-sofa\\_387303](https://www.archiproducts.com/en/products/sancal/2-seater-sofa-alpino-sofa_387303)> (Year: 2019).\*

\* cited by examiner

*Primary Examiner* — Cynthia Ramirez  
*Assistant Examiner* — Xavier Marti-Santos  
(74) *Attorney, Agent, or Firm* — Banner & Witcoff, Ltd.

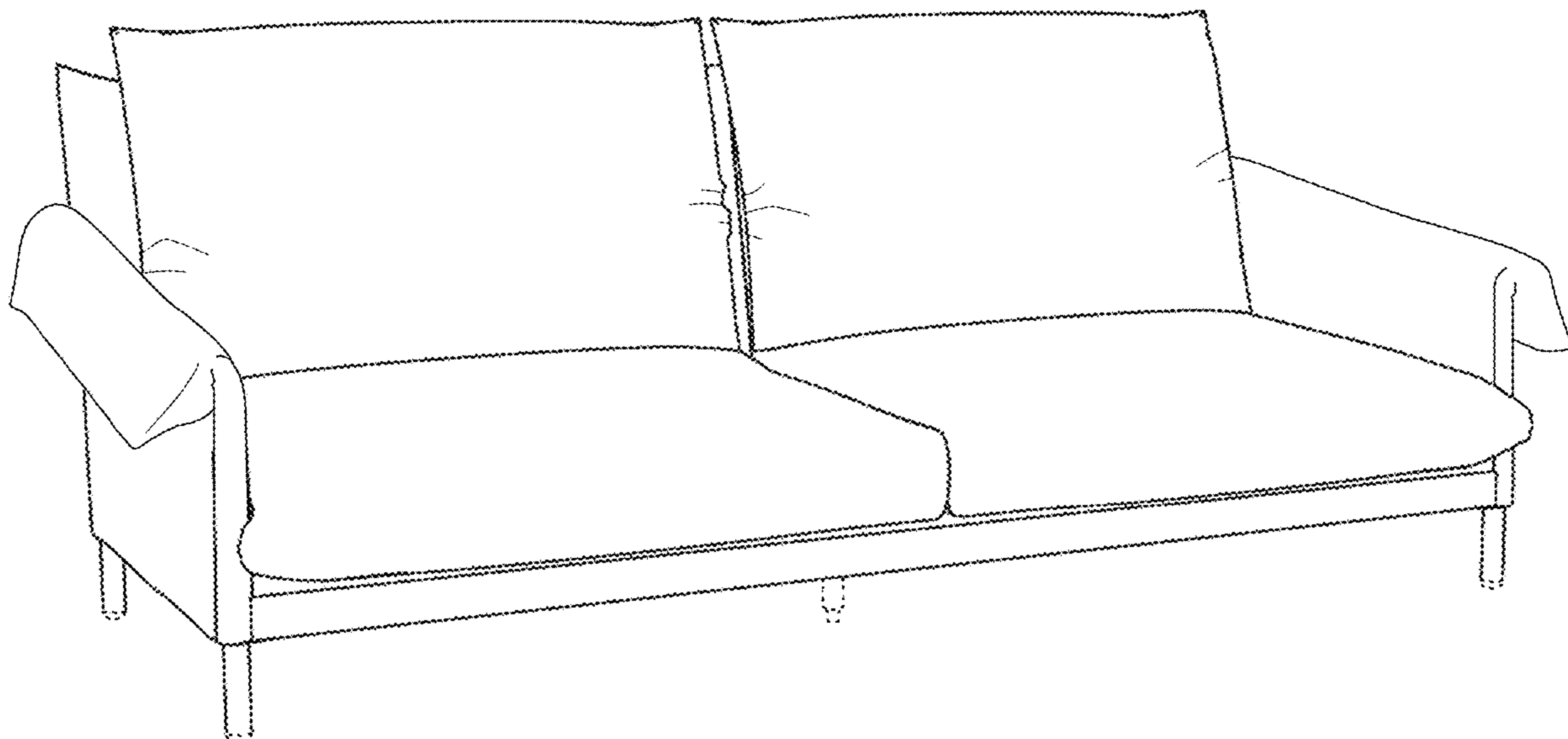
(57) **CLAIM**

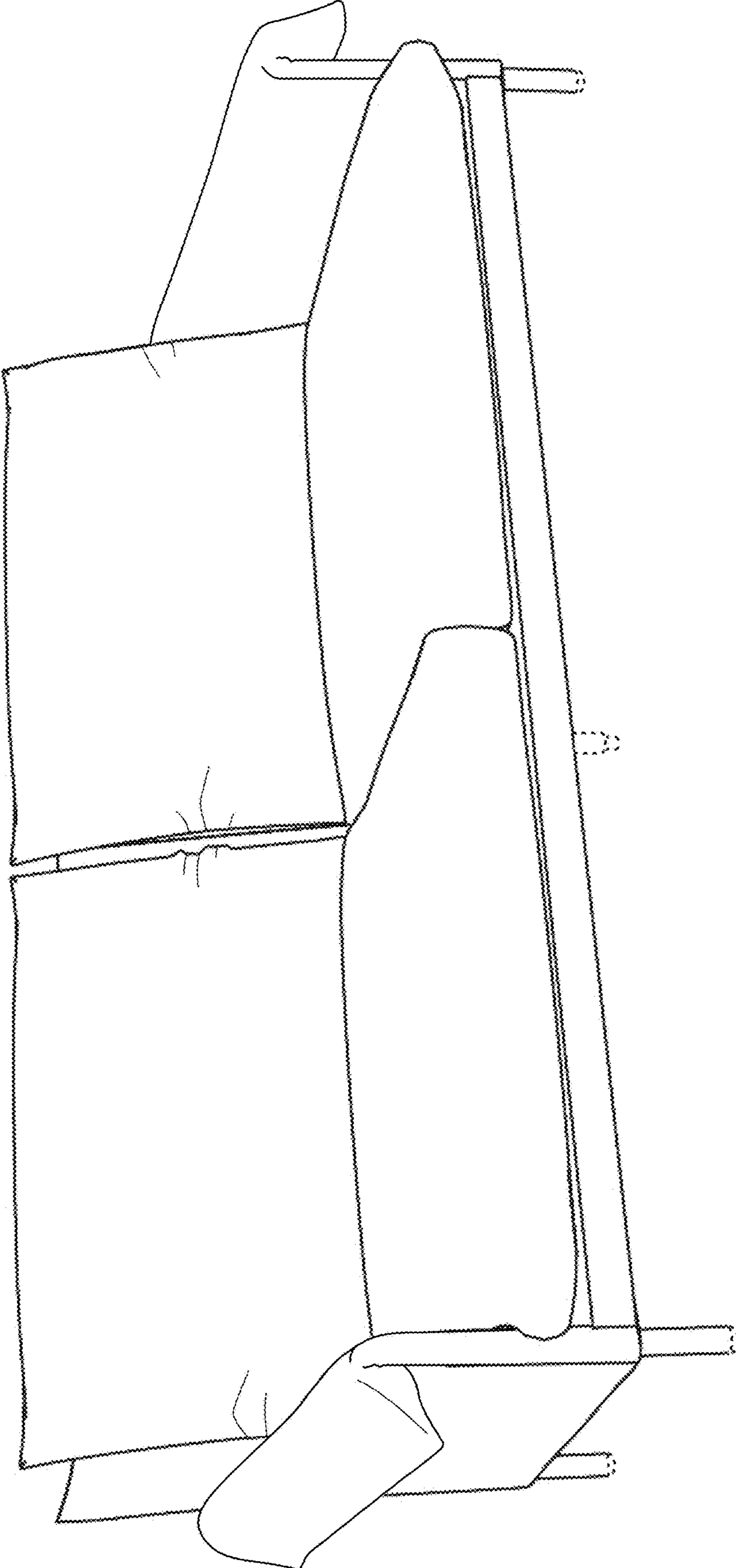
The ornamental design for a couch, as shown and described.

**DESCRIPTION**

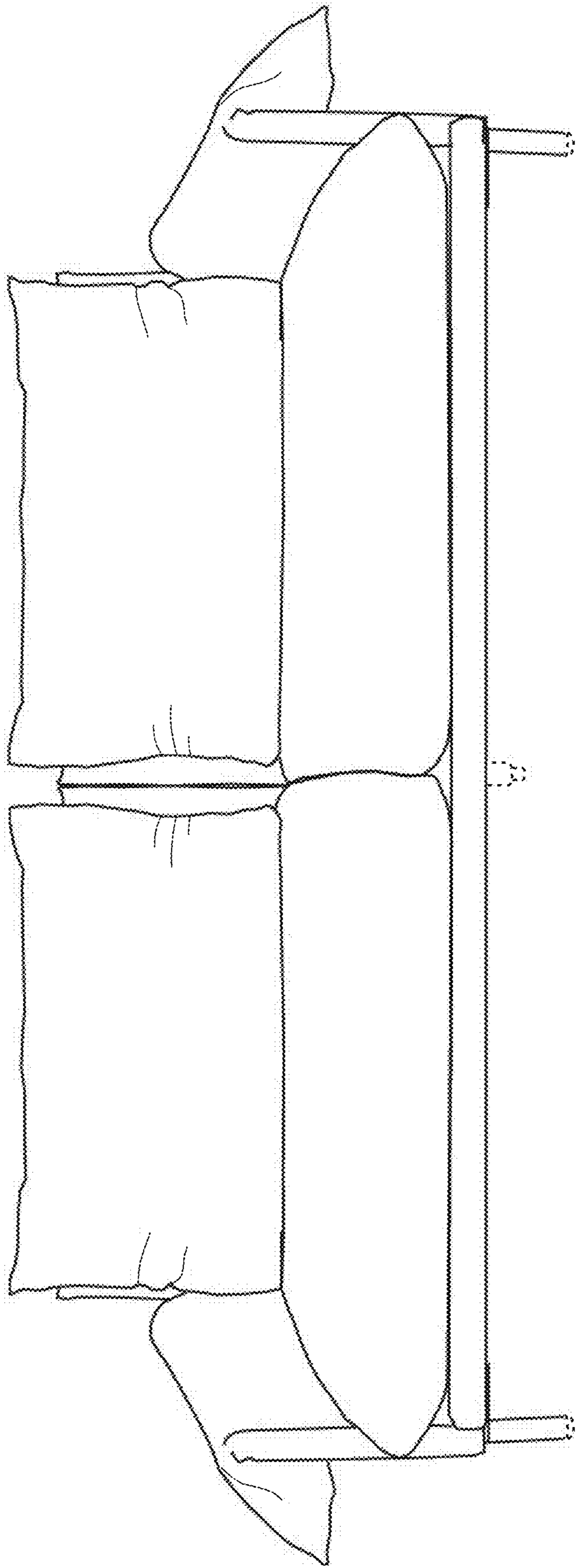
FIG. 1 is a front, left-side perspective view of a couch showing my new design;  
FIG. 2 is a front perspective view thereof;  
FIG. 3 is a front, right-side perspective view thereof;  
FIG. 4 is a rear, left-side perspective view thereof;  
FIG. 5 is a rear perspective-view thereof;  
FIG. 6 is a rear, right-side perspective view thereof; and,  
FIG. 7 is a right-side perspective view thereof.  
The broken lines in the figures are for the purpose of illustrating portions of the sofa, which form no part of the claimed design.

**1 Claim, 7 Drawing Sheets**

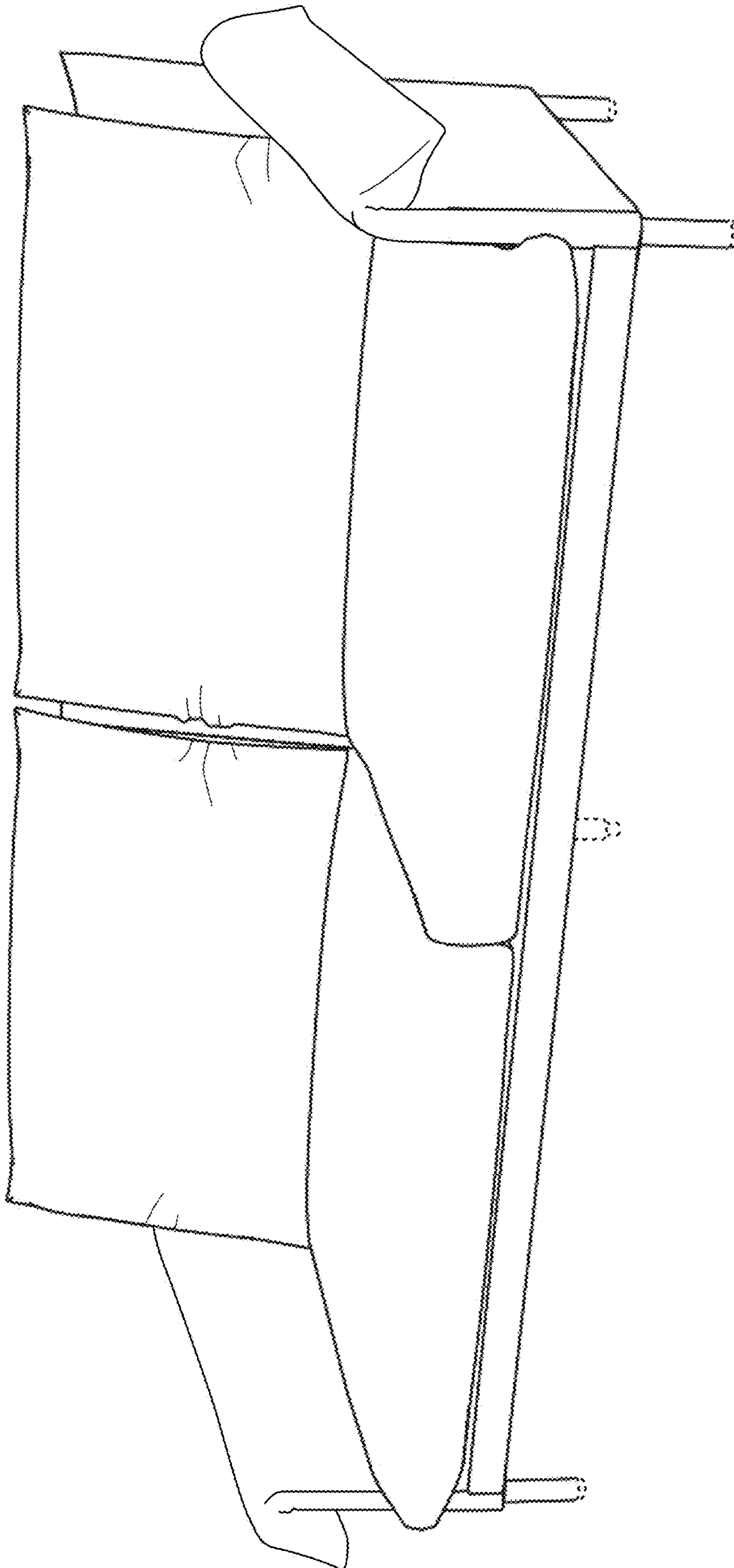




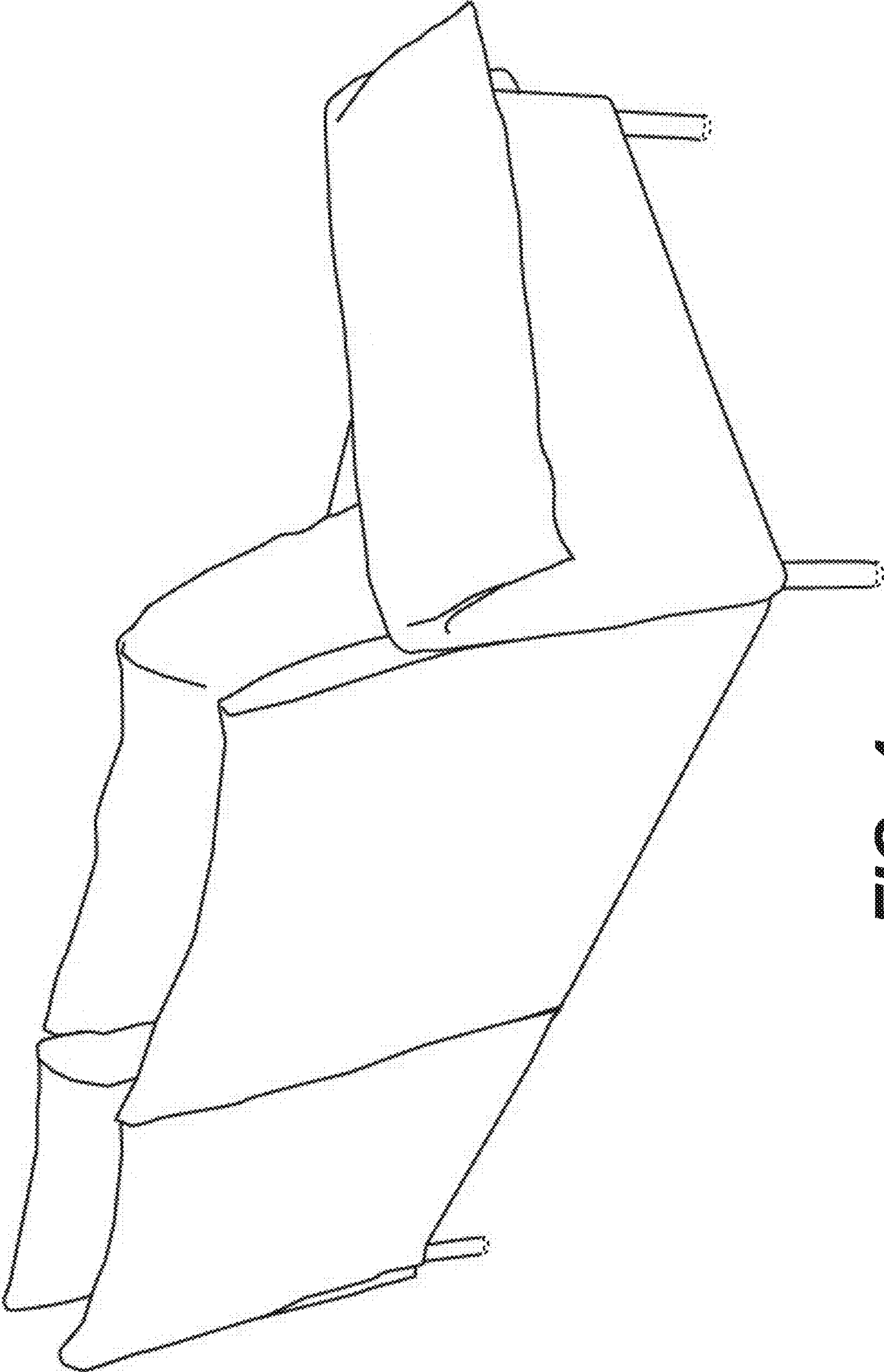
**FIG. 1**



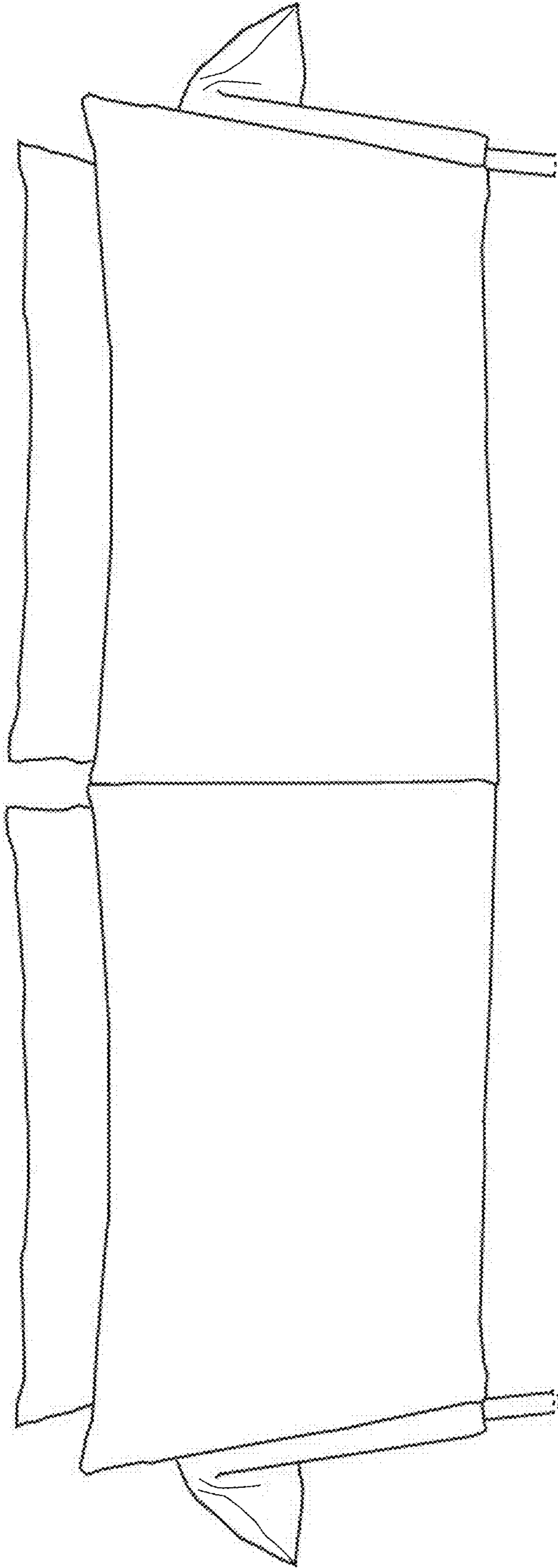
**FIG. 2**



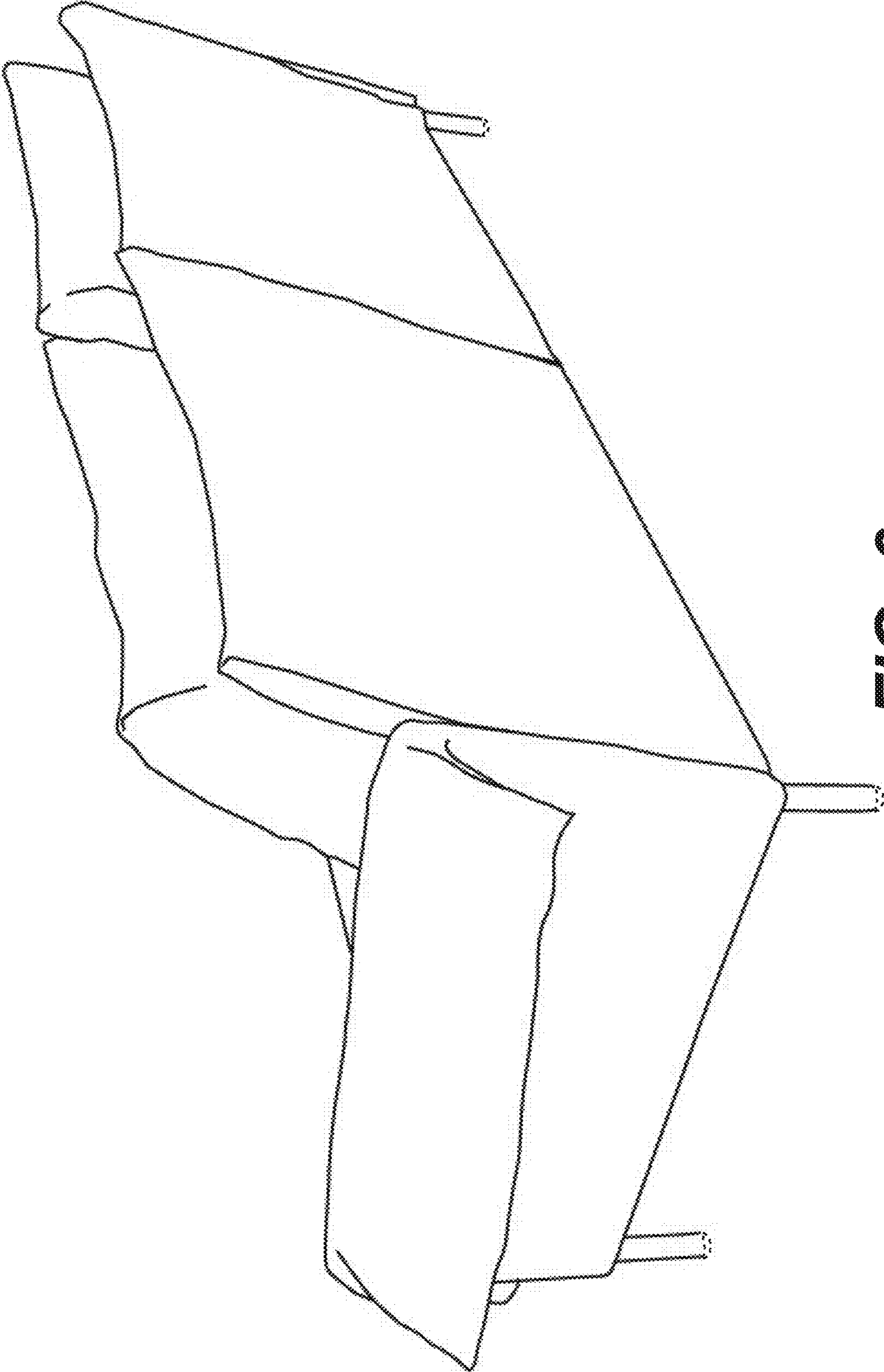
**FIG. 3**



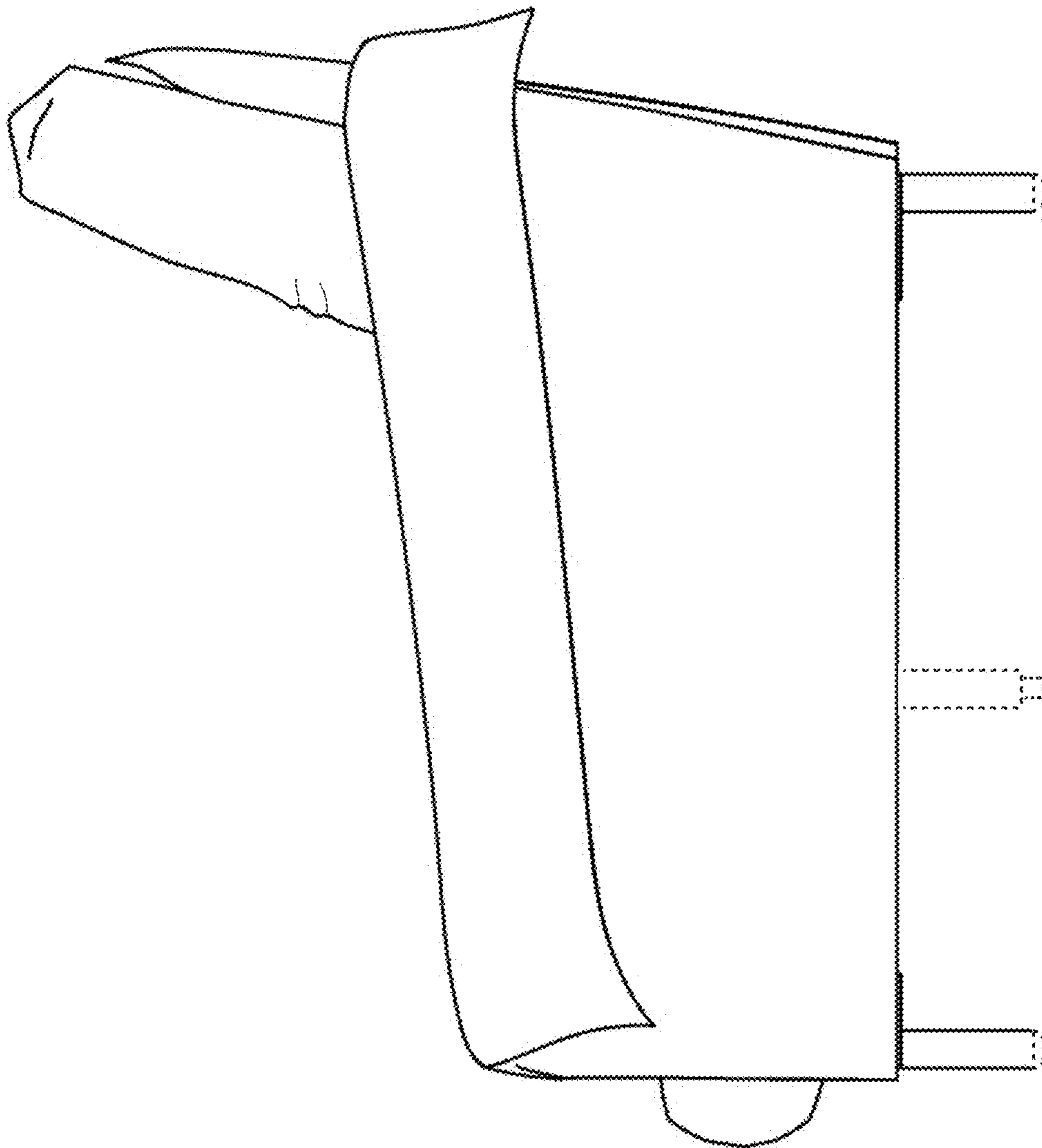
**FIG. 4**



**FIG. 5**



**FIG. 6**



**FIG. 7**