



US00D959162S

(12) **United States Design Patent** (10) **Patent No.:** **US D959,162 S**
Tong (45) **Date of Patent:** **** Aug. 2, 2022**

(54) **CHAIR**
(71) Applicant: **ZHEJIANG YUYUE FURNITURE CO., LTD, Anji (CN)**
(72) Inventor: **Baijun Tong, Anji (CN)**
(**) Term: **15 Years**
(21) Appl. No.: **29/782,068**
(22) Filed: **May 4, 2021**
(51) **LOC (13) Cl.** **06-01**
(52) **U.S. Cl.**
USPC **D6/366**
(58) **Field of Classification Search**
USPC D6/356, 364, 365, 366, 367, 379, 716,
D6/716.4, 716.7, 360, 380; D21/521, 695
CPC A47C 1/03294; A47C 1/034; A47C 1/032;
A47C 1/031; A47C 1/023; A47C 3/029;
A47C 3/027; A47C 3/04; A47C 3/02;
A47C 3/12; A47C 4/03; A47C 4/04;
A47C 5/12; A47C 7/029; A47C 7/02;
A47C 7/18; A47C 7/28; A47C 7/32;
A47C 7/38; A47C 7/40; A47C 7/44;
A47C 7/46; A47C 7/54; A47C 7/425;
A47C 7/445; A47C 31/023; A47C 31/04;
B60R 2/0284; B60R 2/062; B60R 22/001;
B60R 22/24; B60R 22/28; B60R 22/58;
B60R 22/64; B60R 22/68; B60R 22/80;
B60R 22/99; B60R 22/245; B60R 22/643;
B60R 22/646; B60R 22/665; B60R
22/686; B60R 22/688; B60R 22/803;
B60R 22/986; B60R 22/914; B60R
22/995; F16B 2/08; F16B 45/00; Y10S
297/01; A47D 13/10
See application file for complete search history.

D724,367 S * 3/2015 Sander D6/716
D785,353 S * 5/2017 Zhou D6/366
D785,390 S * 5/2017 Tong D6/716
9,648,956 B2 * 5/2017 Peterson A47C 3/12
D825,971 S * 8/2018 Scagnellato D6/716
D852,524 S 7/2019 Peterson et al.
D852,525 S 7/2019 Peterson et al.
D882,999 S * 5/2020 Loew D6/716
D904,059 S * 12/2020 Tong D6/366
D907,935 S 1/2021 Deevers et al.
D910,358 S 2/2021 Mao
D915,092 S * 4/2021 Tong D6/366
D915,783 S * 4/2021 Tong D6/366
D916,477 S * 4/2021 Tu D6/366

OTHER PUBLICATIONS

“Serta Air Lumbar Bonded Leather Manager Office Chair, Black”
Oct. 21, 2018, walmart.com, site visited Jan. 7, 2022 <<https://www.walmart.com/ip/Serta-Air-Lumbar-Bonded-Leather-Manager-Office-Chair-Black/198933848>> (Year: 2018).*

* cited by examiner

Primary Examiner — Kevin K Rudzinski
Assistant Examiner — Paul D Bohannon
(74) *Attorney, Agent, or Firm* — Rumit Ranjit Kanakia

(57) **CLAIM**

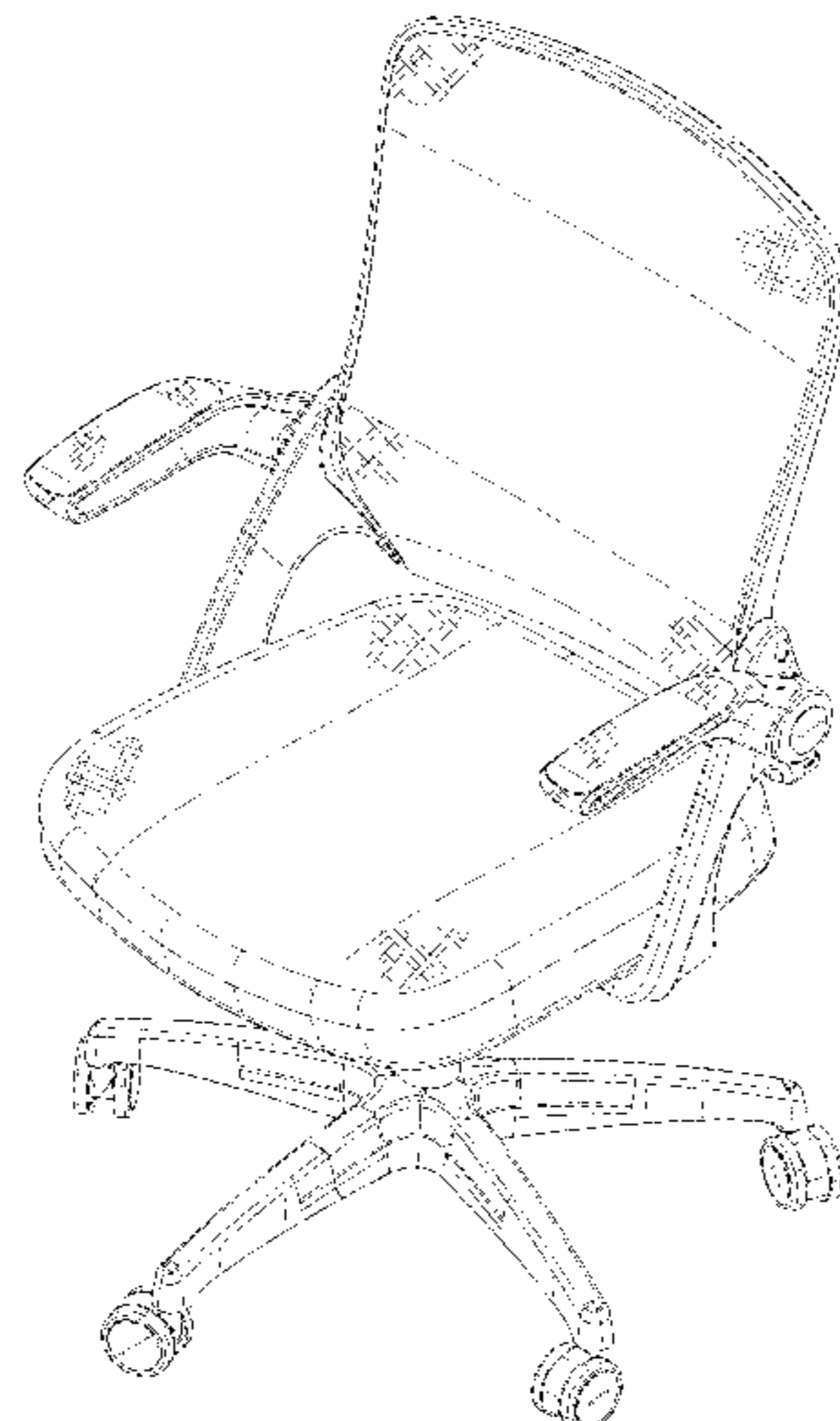
I claim the ornamental design for a chair, as shown and described.

DESCRIPTION

FIG. 1 is a Perspective view of a chair showing my new design;
FIG. 2 is a Front view thereof;
FIG. 3 is a Back view thereof;
FIG. 4 is a Right-side view thereof;
FIG. 5 is a Left-side view thereof;
FIG. 6 is a Top view thereof; and,
FIG. 7 is a Bottom view thereof.
The broken lines in the drawings depict portions of the chair that form no part of the claimed design.

1 Claim, 7 Drawing Sheets

(56) **References Cited**
U.S. PATENT DOCUMENTS
D456,160 S * 4/2002 Van De Riet D6/366
D660,056 S 5/2012 Dilfient



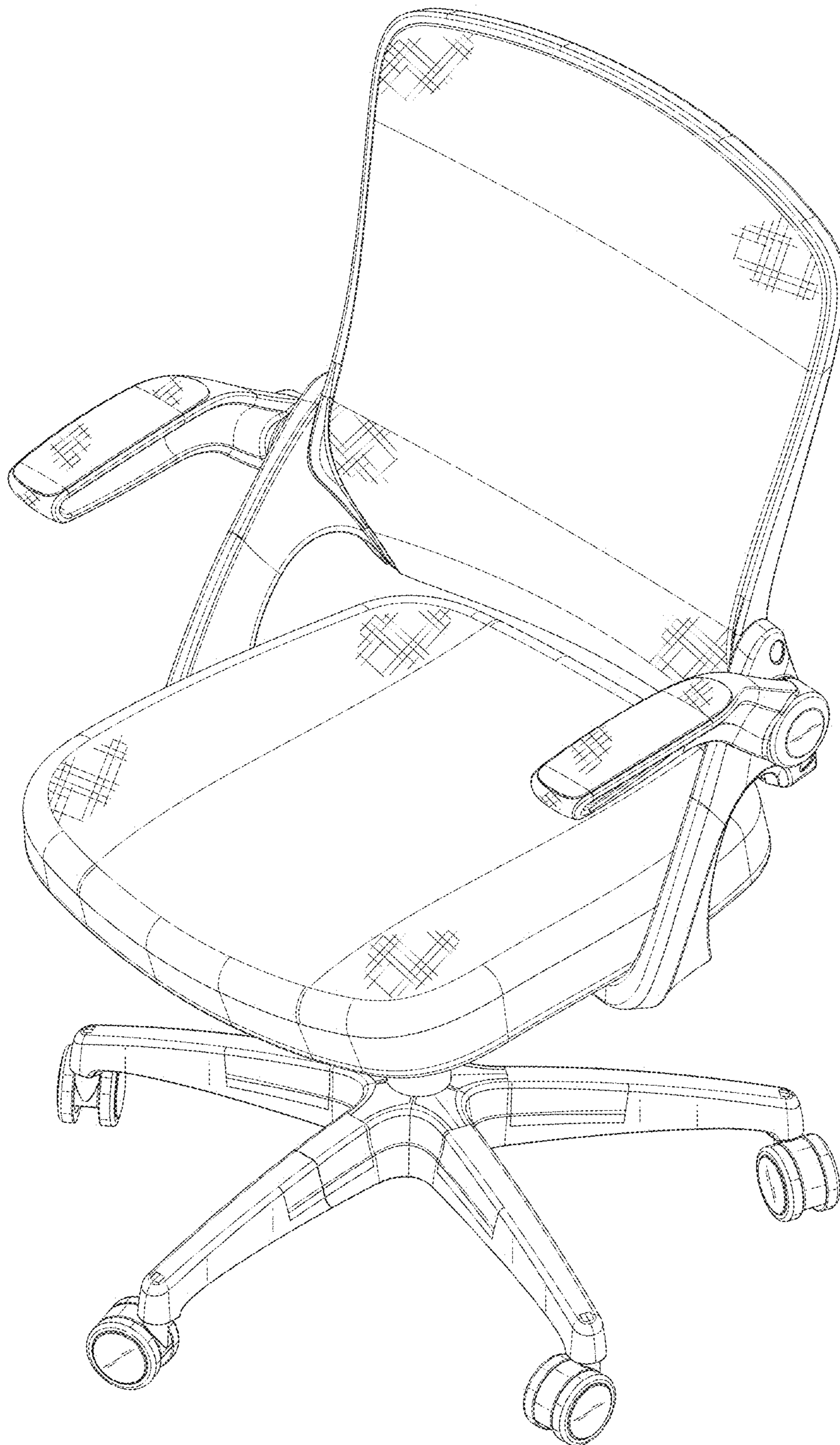


FIG. 1

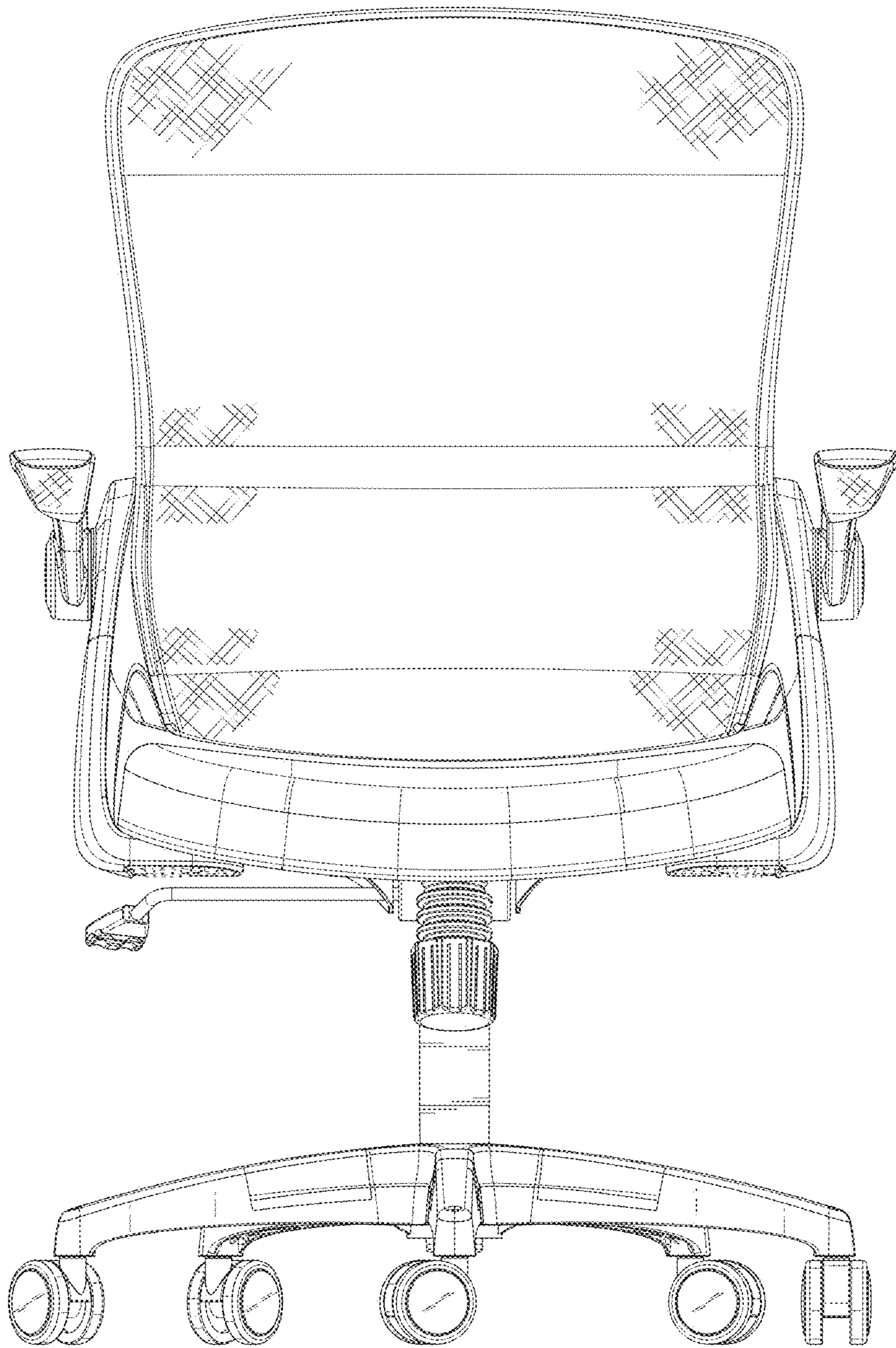


FIG. 2

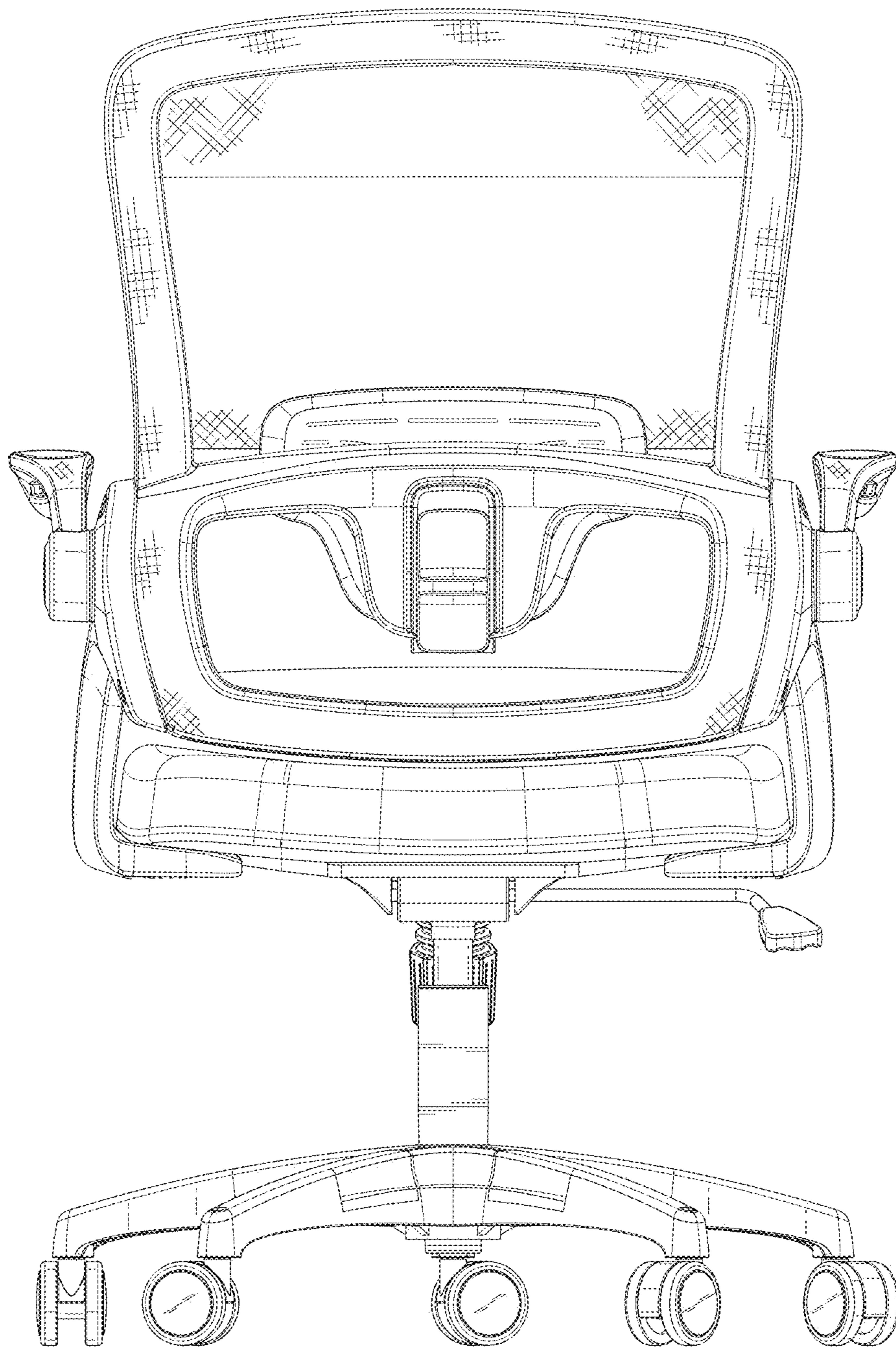


FIG. 3

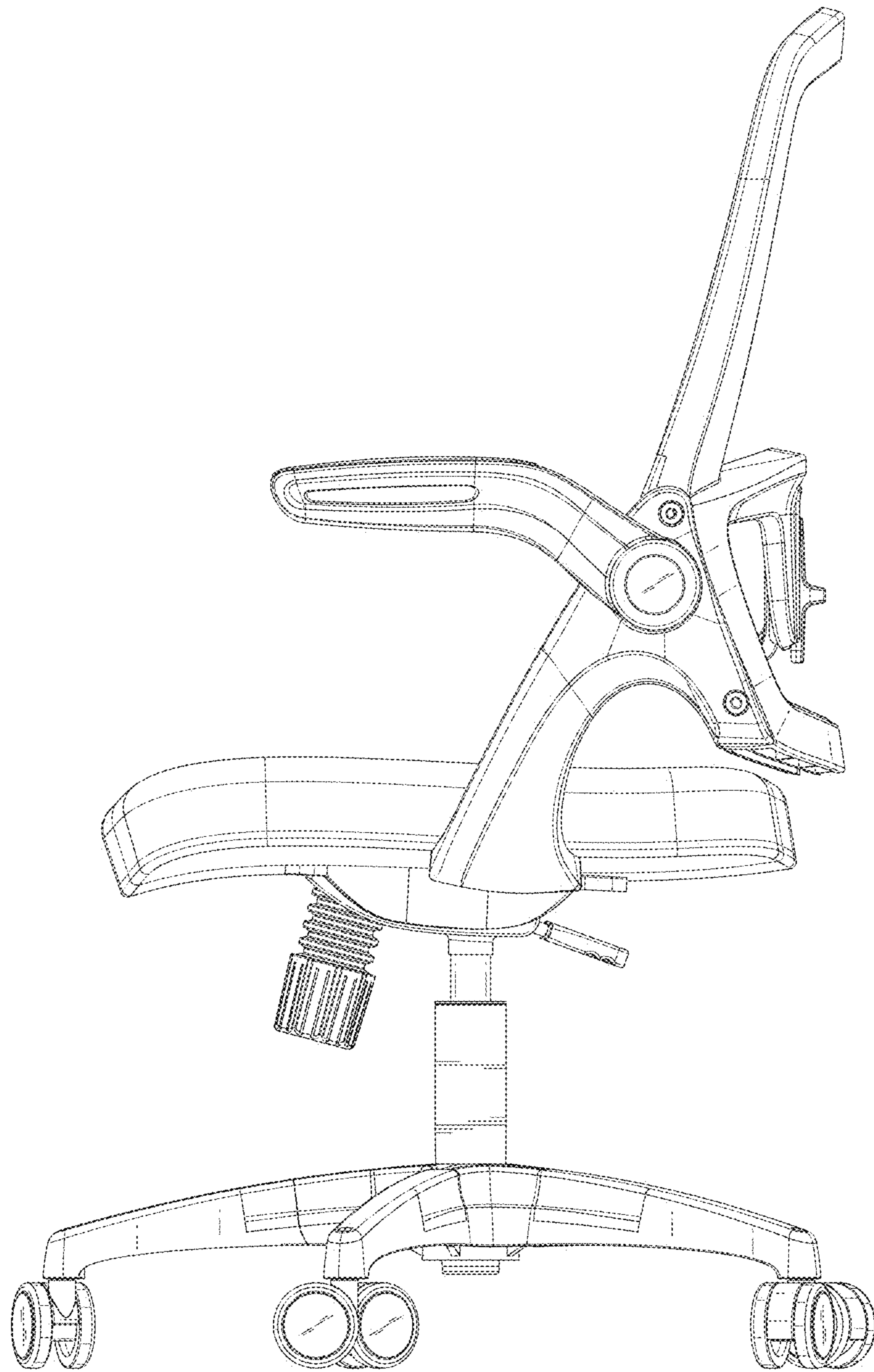


FIG. 4

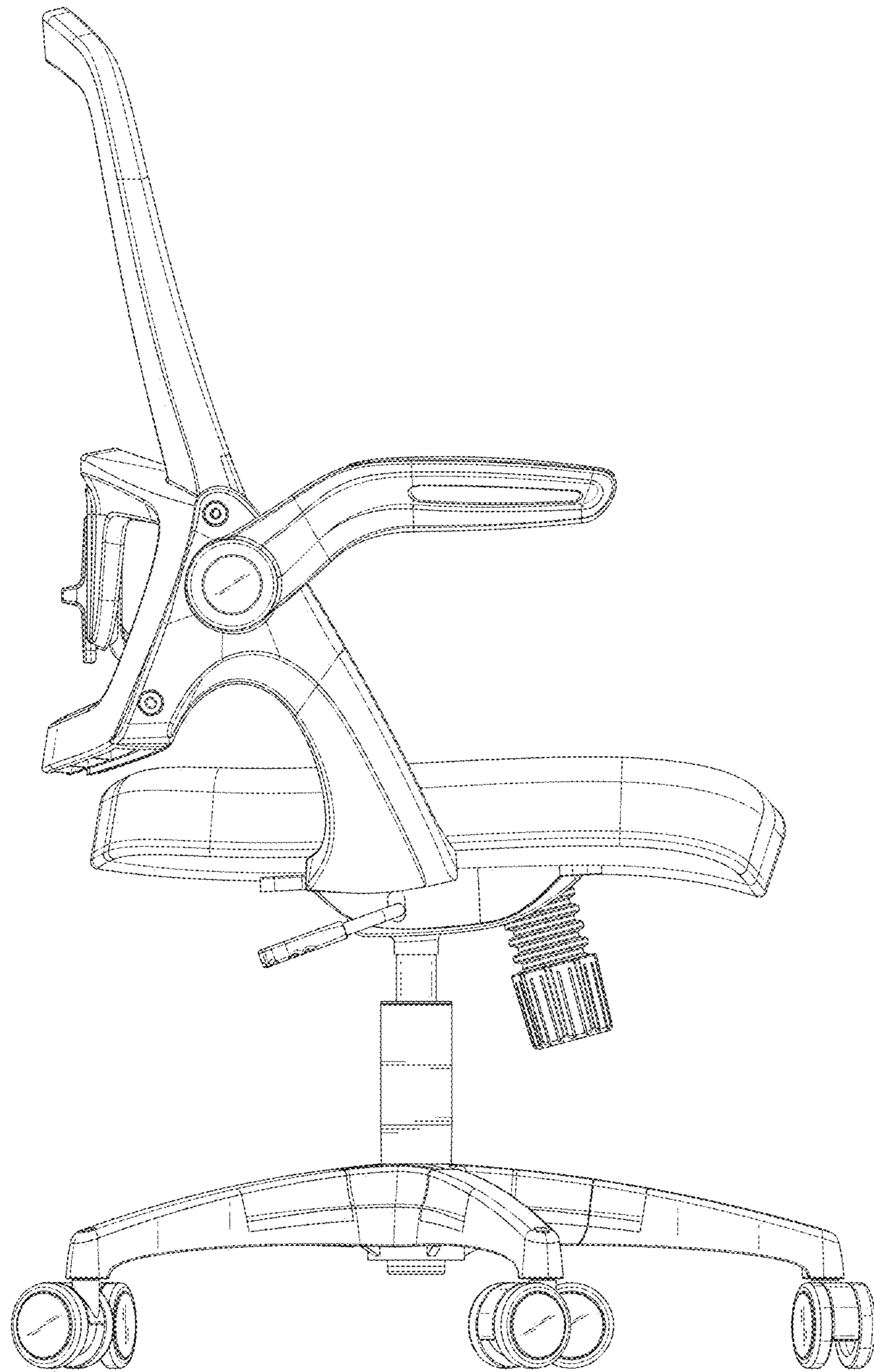


FIG. 5

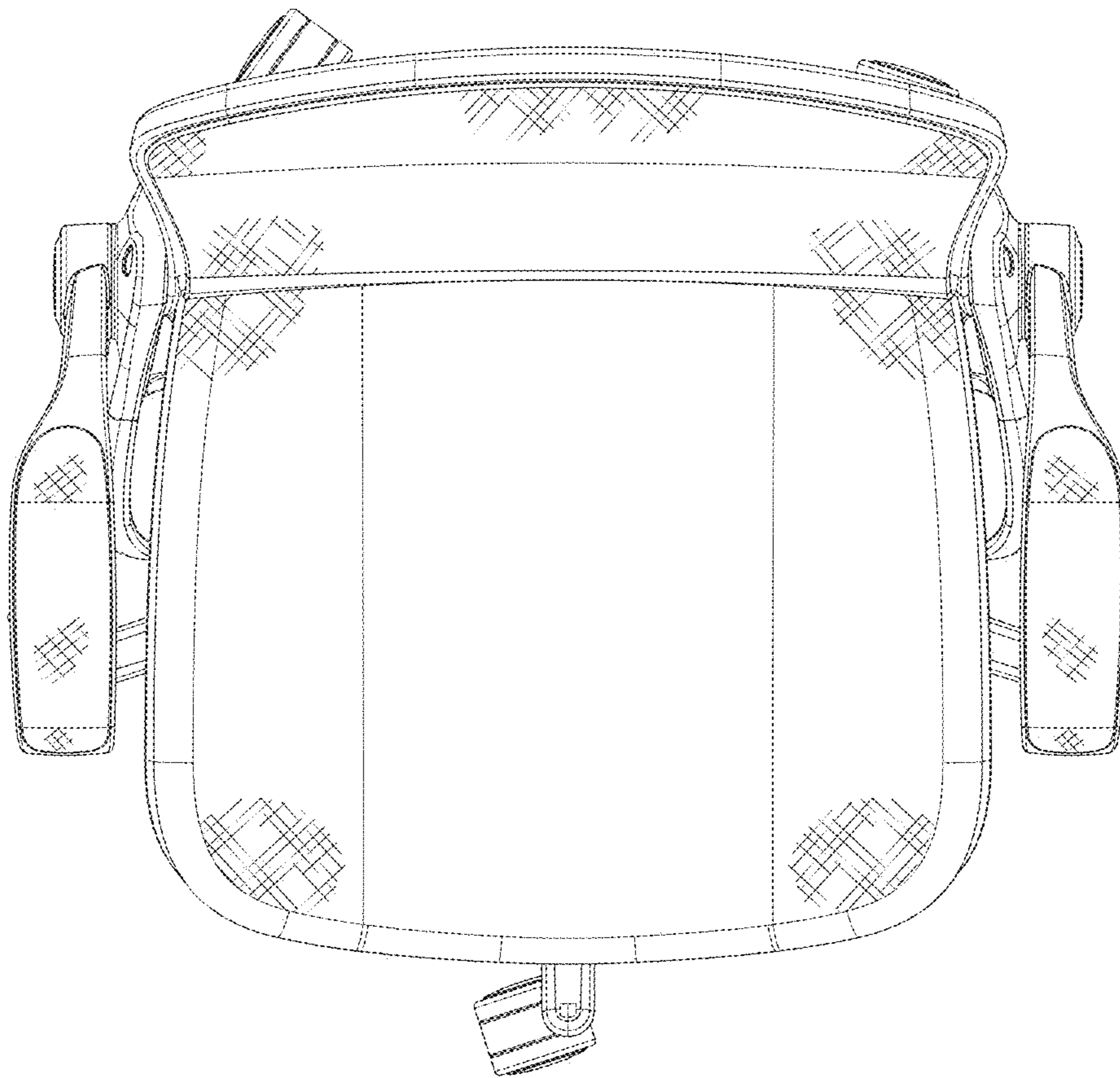


FIG. 6

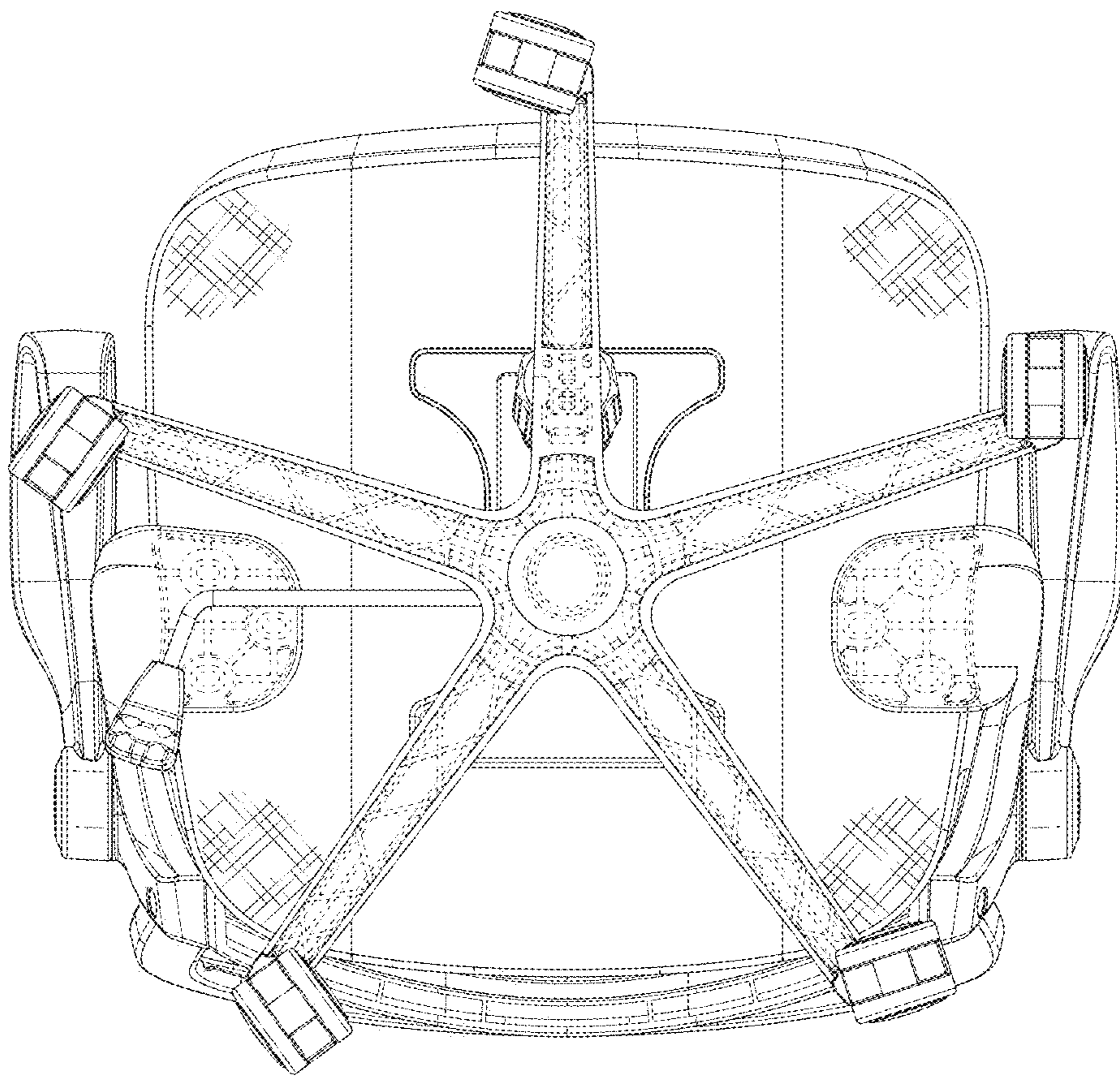


FIG. 7