



US00D959159S

(12) **United States Design Patent** (10) **Patent No.:** **US D959,159 S**
He (45) **Date of Patent:** **** Aug. 2, 2022**

(54) **FOOTSTOOL**
(71) Applicant: **Xiao-An He**, Taizhou (CN)
(72) Inventor: **Xiao-An He**, Taizhou (CN)
(**) Term: **15 Years**
(21) Appl. No.: **29/750,113**
(22) Filed: **Sep. 11, 2020**

D606,768 S * 12/2009 Tu D6/350
D653,043 S * 1/2012 Rumley D6/350
D800,462 S * 10/2017 Edwards D6/351
D865,386 S * 11/2019 Sphikas D6/350
D904,047 S * 12/2020 Stroikov D6/349
D924,578 S * 7/2021 Marsden D6/349
D925,935 S * 7/2021 Marsden D6/349
D934,583 S * 11/2021 Marsden D6/350
2013/0192925 A1 * 8/2013 Chitayat A47C 12/00
182/152
2021/0169228 A1 * 6/2021 Yang A47C 12/00

(30) **Foreign Application Priority Data**

Mar. 28, 2020 (CN) 202030113091.6

(51) **LOC (13) Cl.** **06-01**
(52) **U.S. Cl.**
USPC **D6/350**

(58) **Field of Classification Search**
USPC D6/349, 350, 351, 335, 336, 338, 334,
D6/353, 684, 687, 691.9, 709.2; D25/63,
D25/65; D21/826
CPC A47C 9/00; A47C 7/004; A47C 16/02;
A47C 12/00; A47C 12/02; A47C 13/00
See application file for complete search history.

(56) **References Cited**

U.S. PATENT DOCUMENTS

D244,494 S * 5/1977 Dottinger D6/350
D276,861 S * 12/1984 Keddie D6/350
D294,779 S * 3/1988 Cosby D6/350
D297,790 S * 9/1988 Melvin D6/350
D330,462 S * 10/1992 Szablak D6/350
D507,662 S * 7/2005 St-Hilaire D25/63
D561,482 S * 2/2008 Rogers D6/349

OTHER PUBLICATIONS

Glamore 2 Step Stool for Kids, available in Amazon.com, customer review oldest date Oct. 7, 2020 [online], Retrieved on Apr. 8, 2022 from URL: <https://www.amazon.com/Glamore-Toddler-Training-Bathroom-Resistant/dp/B08FM8SQ3Y/> (Year: 2020).*

* cited by examiner

Primary Examiner — Vy N Koenig
Assistant Examiner — Michelle M Reeves

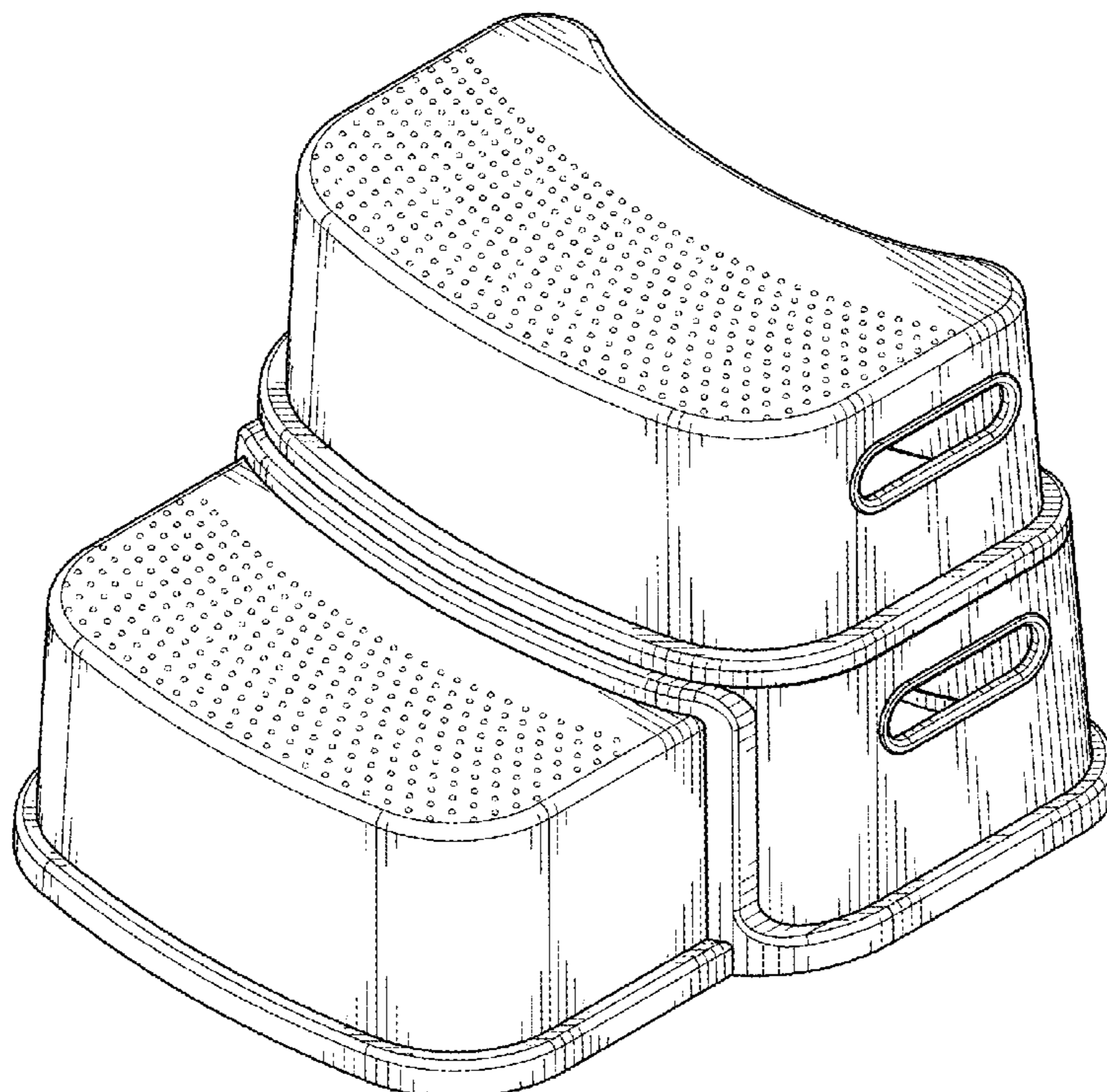
(57) **CLAIM**

The ornamental design for a footstool, as shown and described.

DESCRIPTION

FIG. 1 is a top, front, right perspective view of a footstool showing my design;
FIG. 2 is a front elevational view of FIG. 1;
FIG. 3 is a rear elevational view of FIG. 1;
FIG. 4 is a left side elevational view of FIG. 1;
FIG. 5 is a right side elevational view of FIG. 1; and,
FIG. 6 is a top plan view of FIG. 1.

1 Claim, 6 Drawing Sheets



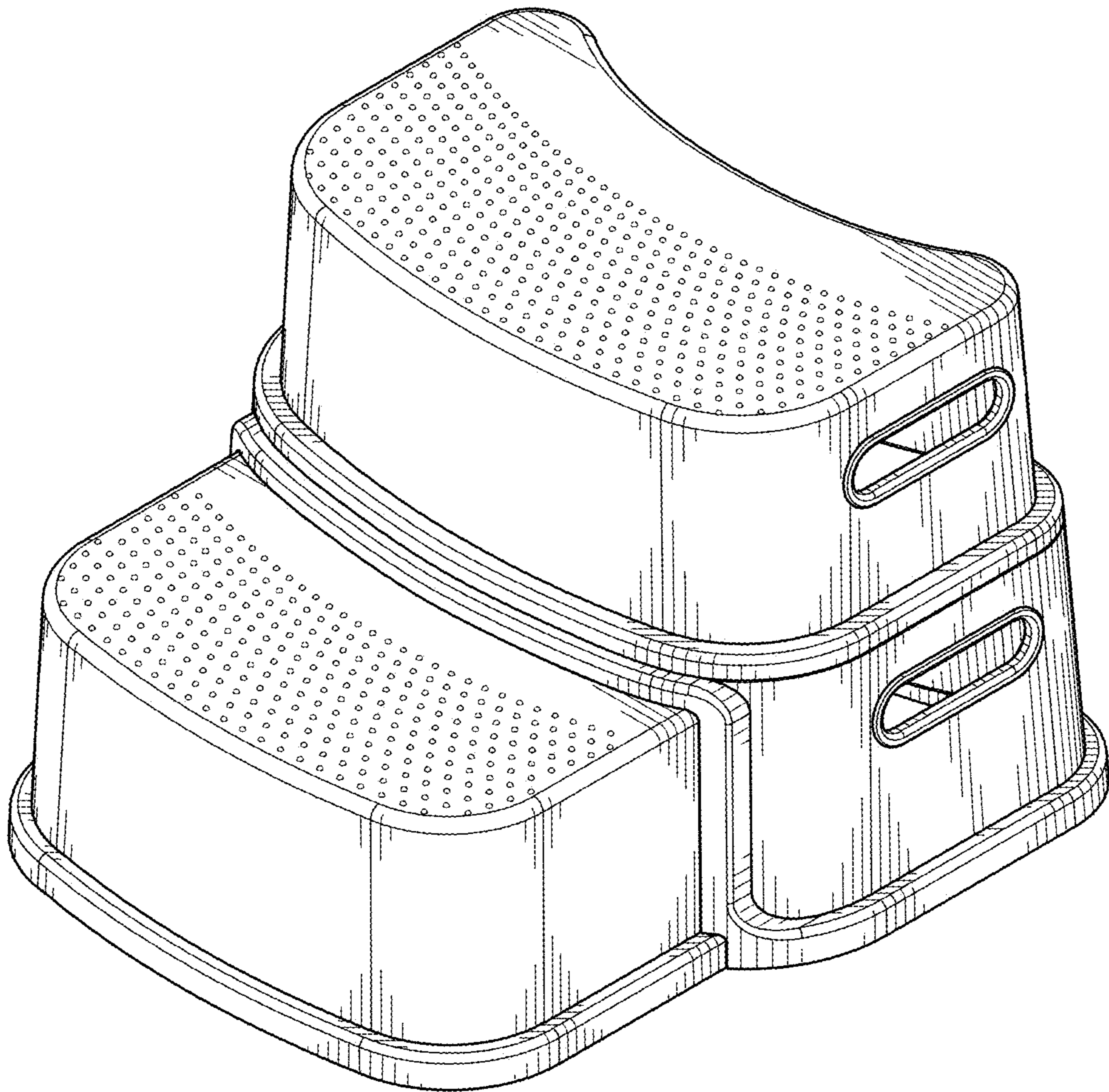


Fig. 1

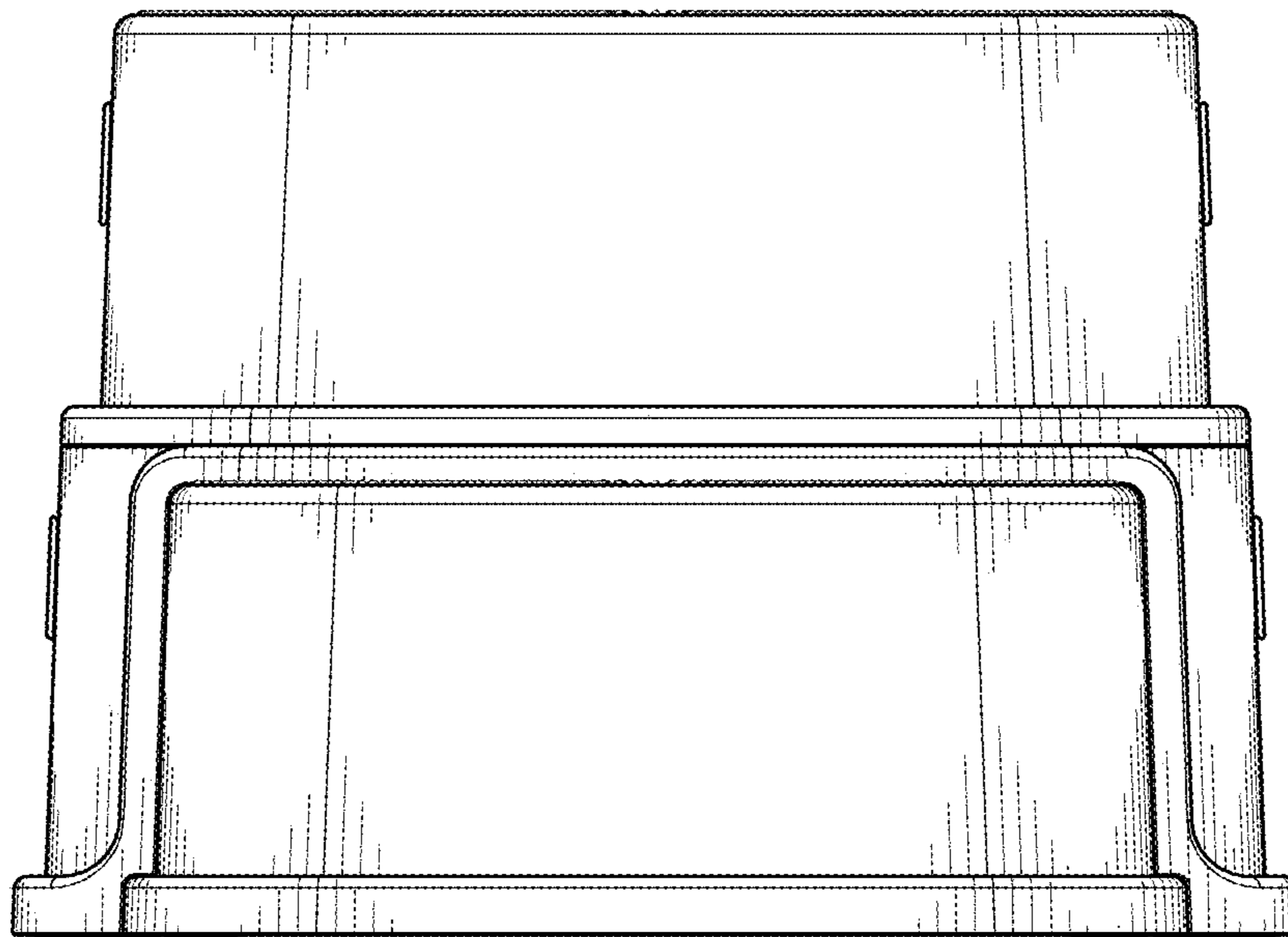


Fig. 2

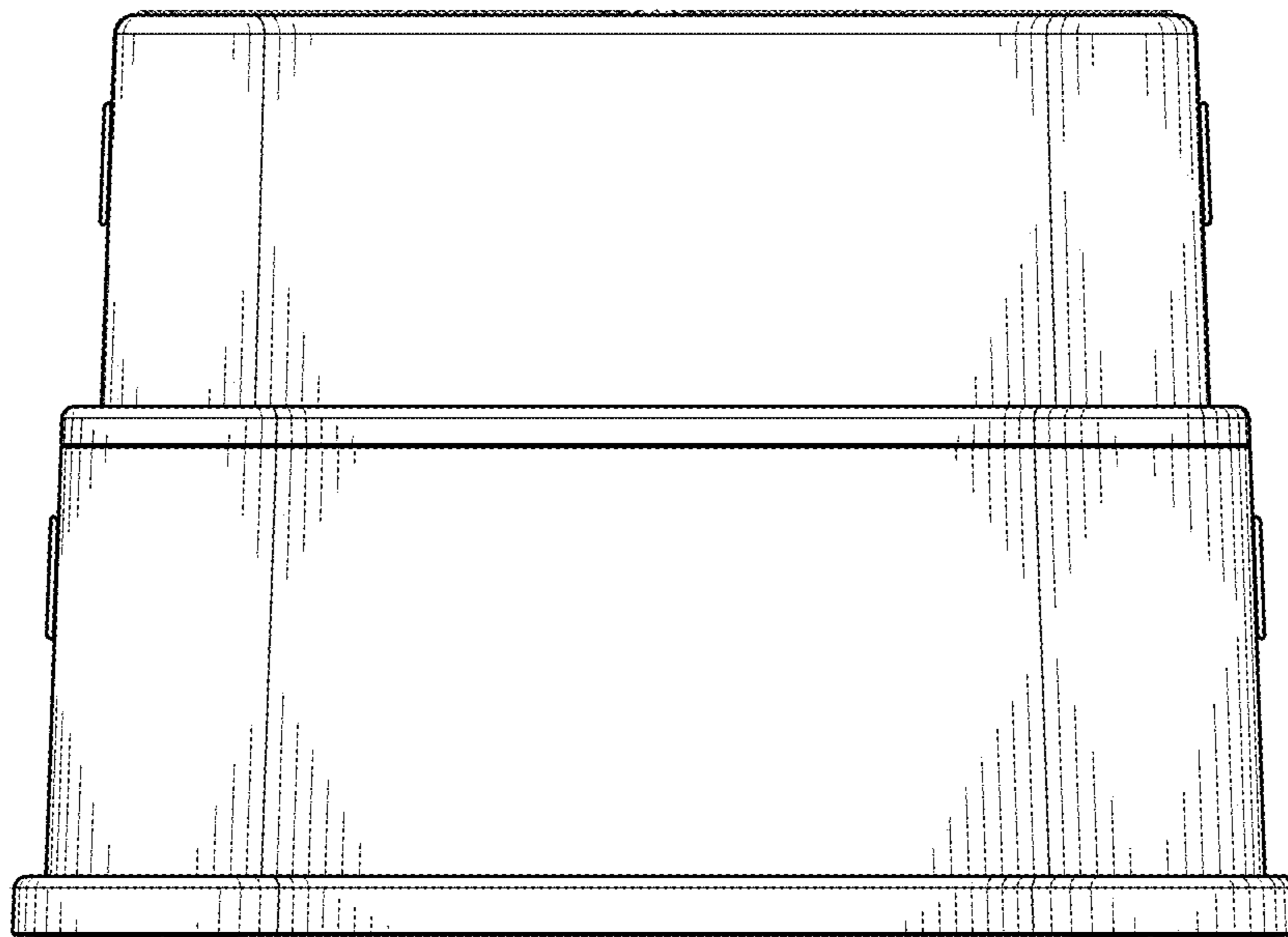


Fig. 3

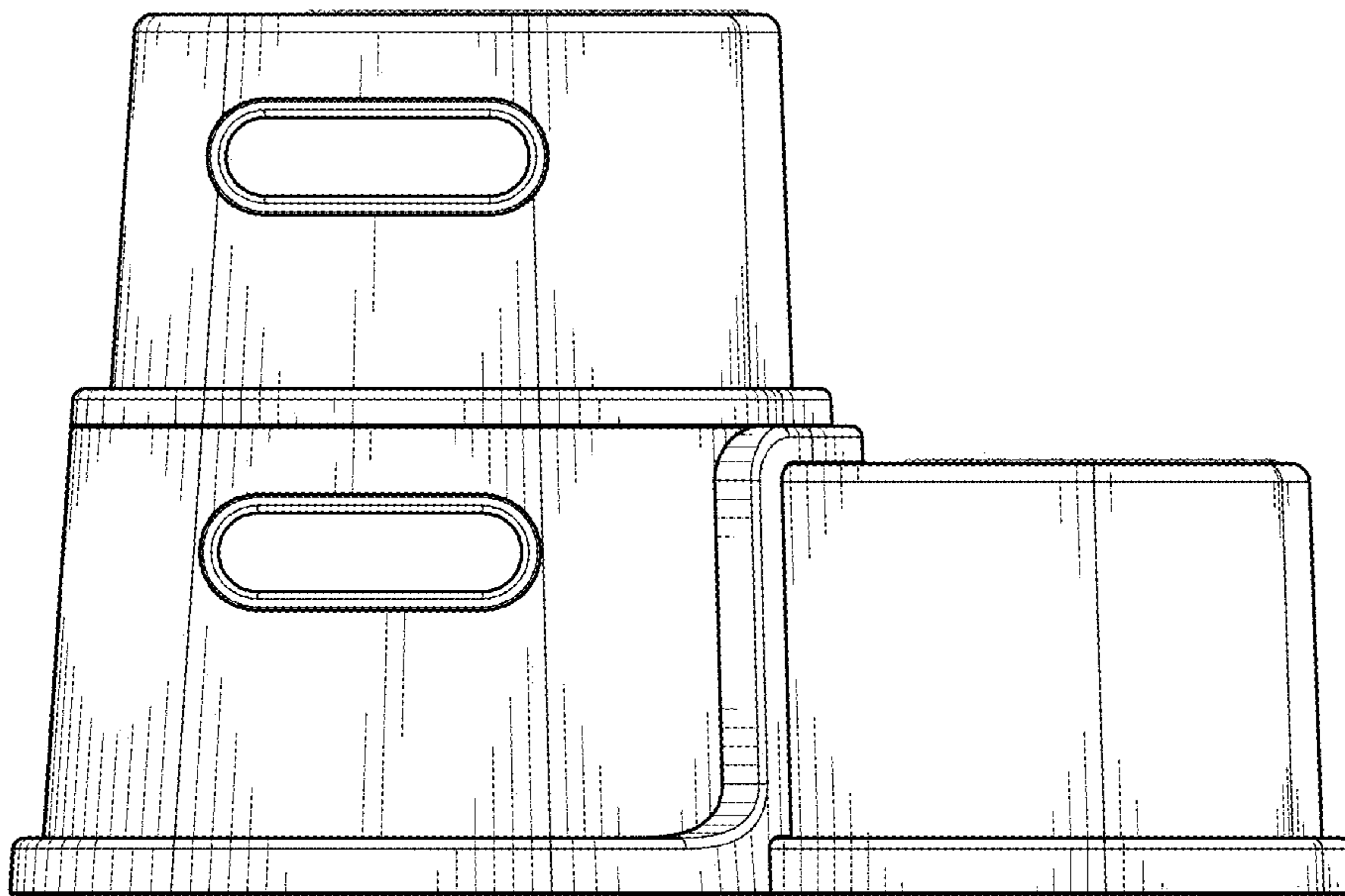


Fig. 4

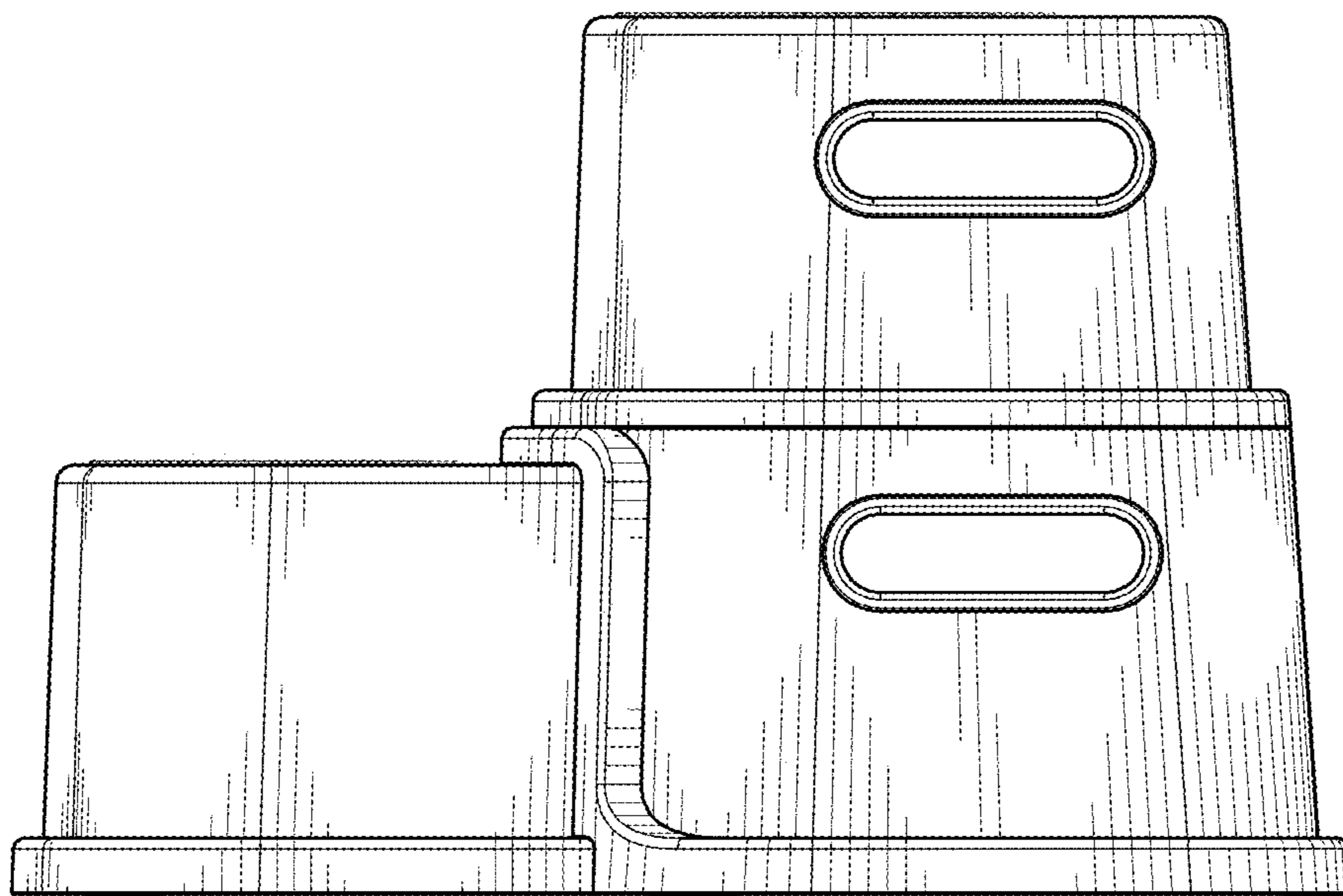


Fig. 5

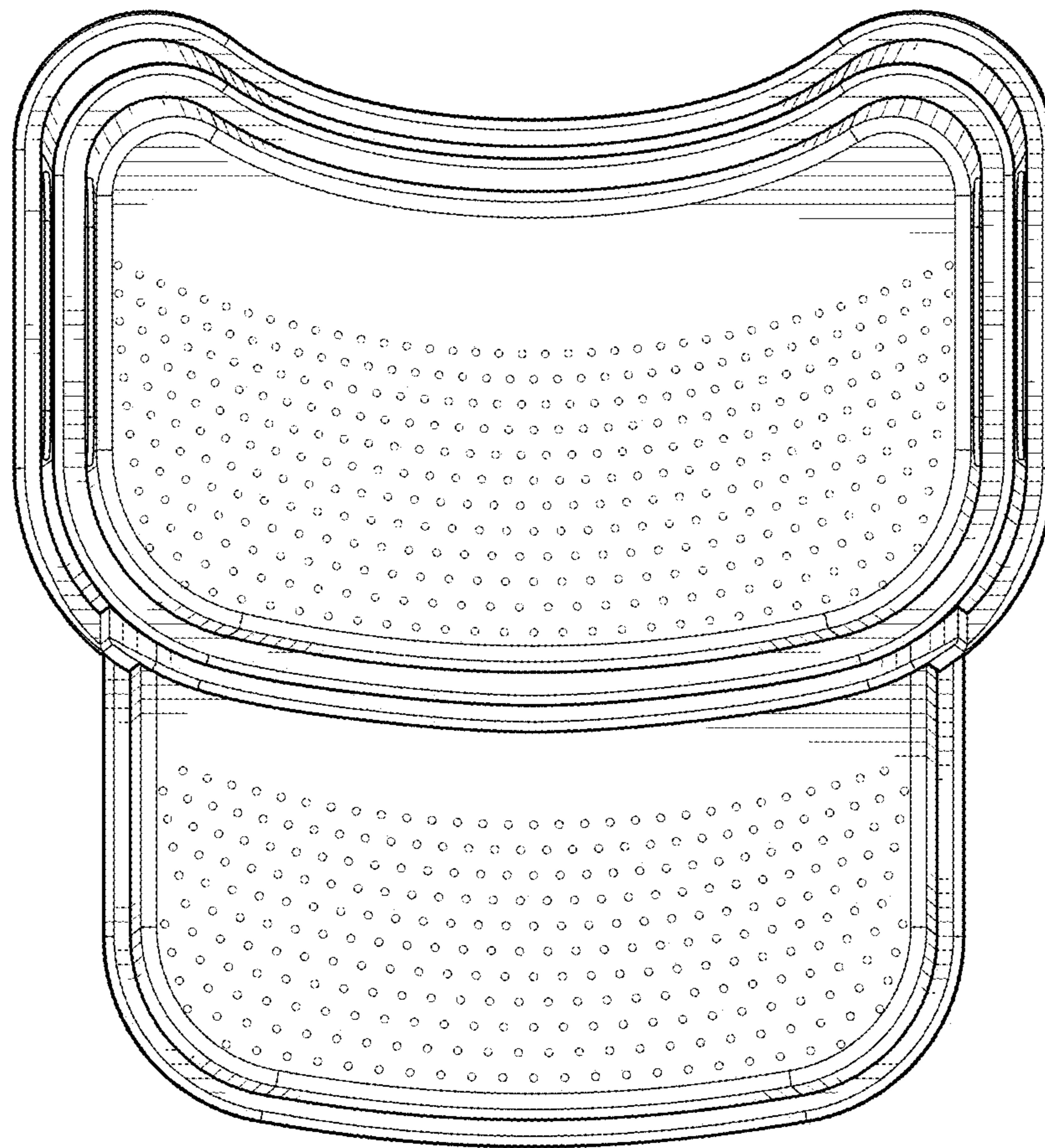


Fig. 6