



US00D959158S

(12) **United States Design Patent** (10) **Patent No.:** **US D959,158 S**
Kanhasamy (45) **Date of Patent:** **** Aug. 2, 2022**

(54) **CONVERTIBLE CHAIR AND OTTOMAN**

D905,453 S * 12/2020 Kanhasamy D6/335
D939,227 S * 12/2021 Kanhasamy D6/335
2020/0146458 A1* 5/2020 Kanhasamy A47B 85/04

(71) Applicant: **Abedan Kanhasamy**, Mississauga (CA)

(72) Inventor: **Abedan Kanhasamy**, Mississauga (CA)

(**) Term: **15 Years**

(21) Appl. No.: **29/757,111**

(22) Filed: **Nov. 3, 2020**

(30) **Foreign Application Priority Data**

Oct. 16, 2020 (CA) CA 198780

(51) **LOC (13) Cl.** **06-01**

(52) **U.S. Cl.**
USPC **D6/335**

(58) **Field of Classification Search**
USPC D6/334, 335, 336, 349, 360, 361, 369,
D6/370, 374, 375, 378, 379, 380, 650,
D6/716, 716.1, 716.3
CPC A47C 4/02; A47C 4/03; A47C 3/12; A47C
5/04; A47C 5/12; A47C 4/024; A47C
4/028; A47C 7/54; A47C 1/00; A47C
3/38; A47C 7/006; A47C 13/00; A47C
15/00

See application file for complete search history.

(56) **References Cited**

U.S. PATENT DOCUMENTS

D186,308 S * 10/1959 Knoll D6/334
D384,827 S * 10/1997 Hutton D6/334
D538,549 S * 3/2007 Spear D6/381
D635,793 S * 4/2011 Kanhasamy D6/381
D676,680 S * 2/2013 Arko D6/334
D799,221 S * 10/2017 Pathiratne D6/335
D799,222 S * 10/2017 Pathiratne D6/335
D804,834 S * 12/2017 Kanhasamy D6/335
D836,926 S * 1/2019 Kanhasamy D6/335
D891,130 S * 7/2020 Kanhasamy D6/335

OTHER PUBLICATIONS

Toggle reclining chair [online], [site visited Jan. 26, 2022]. Available from internet, URL: <<https://coddleme.com/products/toggle-reclining-chair>> (Year: 2022).*

Carousell Lounge Chair [online], [site visited Jan. 26, 2022]. Available from internet, URL: <<https://www.google.com/imgres?imgurl=http%3A%2F%2Fcdn.home-designing.com%2Fwp-content%2Fuploads%2F2021%2F04%2Freclining-chair-with-ottoman-rounded-armrests-wood-legs-plush-ultra-cushioned-living-room-seating-for-sale-online-dark-grey-upholstery-600x600.jpg&imgrefurl=http%3A%2F%2Fwww.home-designing.com%2Fbuy-chair-with-ottoman-for-sale&tbnid=eLx1RdWzh9ROnM&vet=10CIECEDMokQZqFwoTCKCCp9mu0PUCFQAAAAAdAAAAABAR..i&docid=75K77djKm9Y>>.*

* cited by examiner

Primary Examiner — Cynthia Ramirez

Assistant Examiner — Xavier Marti-Santos

(74) *Attorney, Agent, or Firm* — Harness, Dickey & Pierce, P.L.C.

(57) **CLAIM**

The ornamental design for a convertible chair and ottoman, as shown and described.

DESCRIPTION

FIG. 1 is a front view of the convertible chair and ottoman in a first position;

FIG. 2 is a front, right side perspective view of the convertible chair and ottoman in the first position;

FIG. 3 is a front, right side perspective view of the convertible chair and ottoman in a second position;

FIG. 4 is a front, right side perspective view of the convertible chair and ottoman in a third position;

FIG. 5 is a front, right side perspective view of the convertible chair and ottoman in a fourth position;

FIG. 6 is a right side view of the convertible chair and ottoman in the fourth position; and,

(Continued)

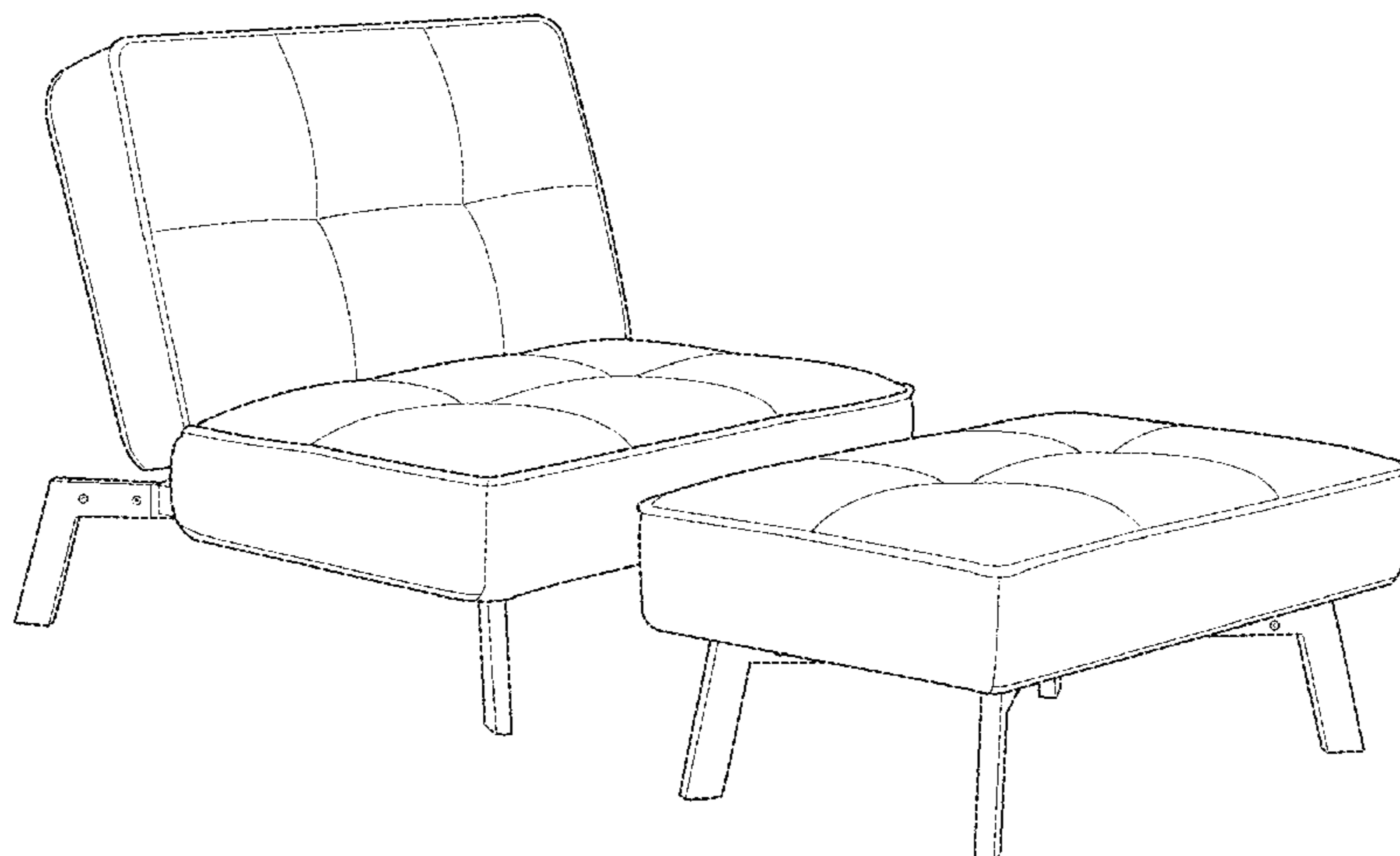


FIG. 7 is a left side view of the convertible chair and ottoman in the fourth position.

1 Claim, 7 Drawing Sheets

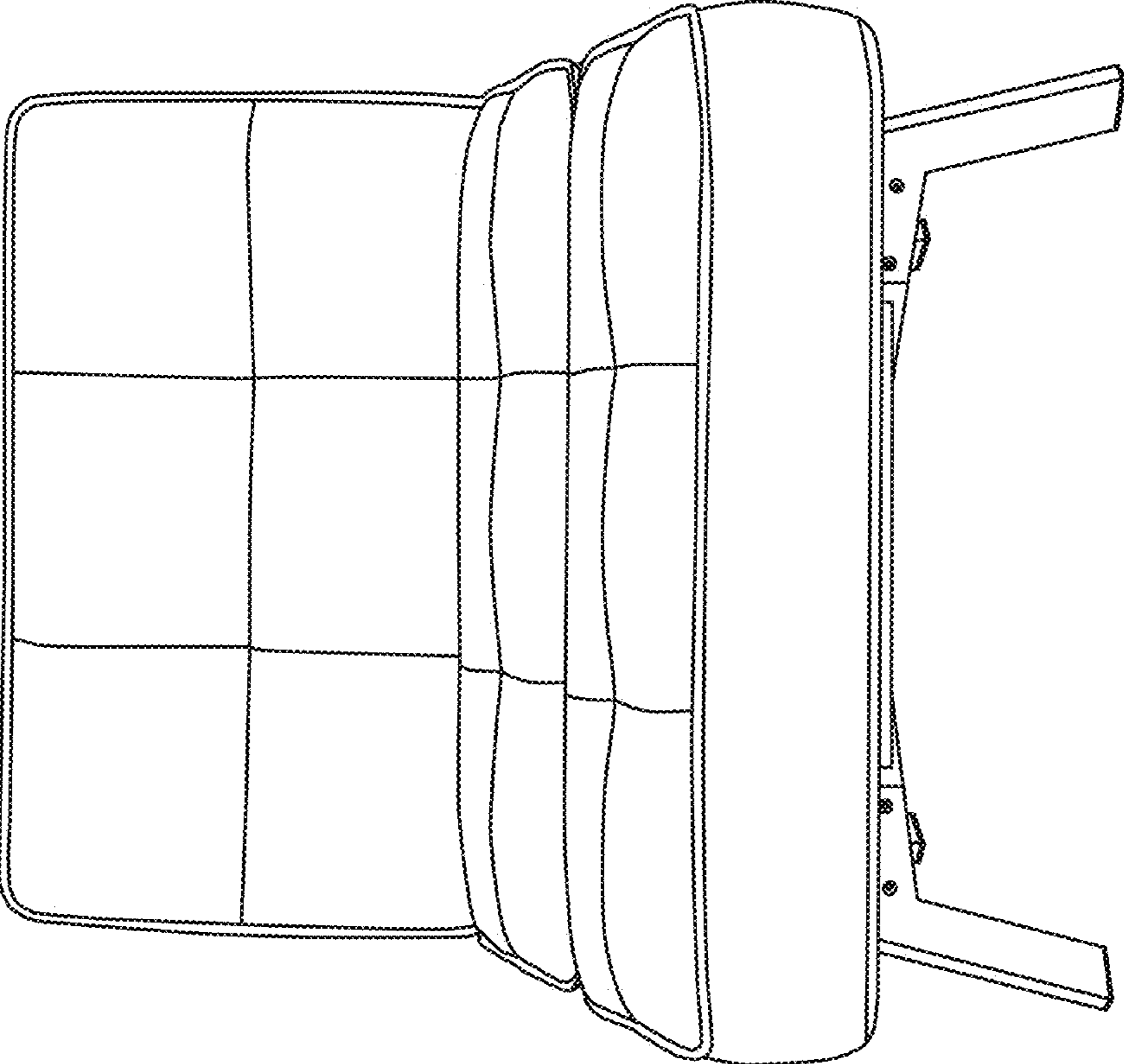


FIG. 1

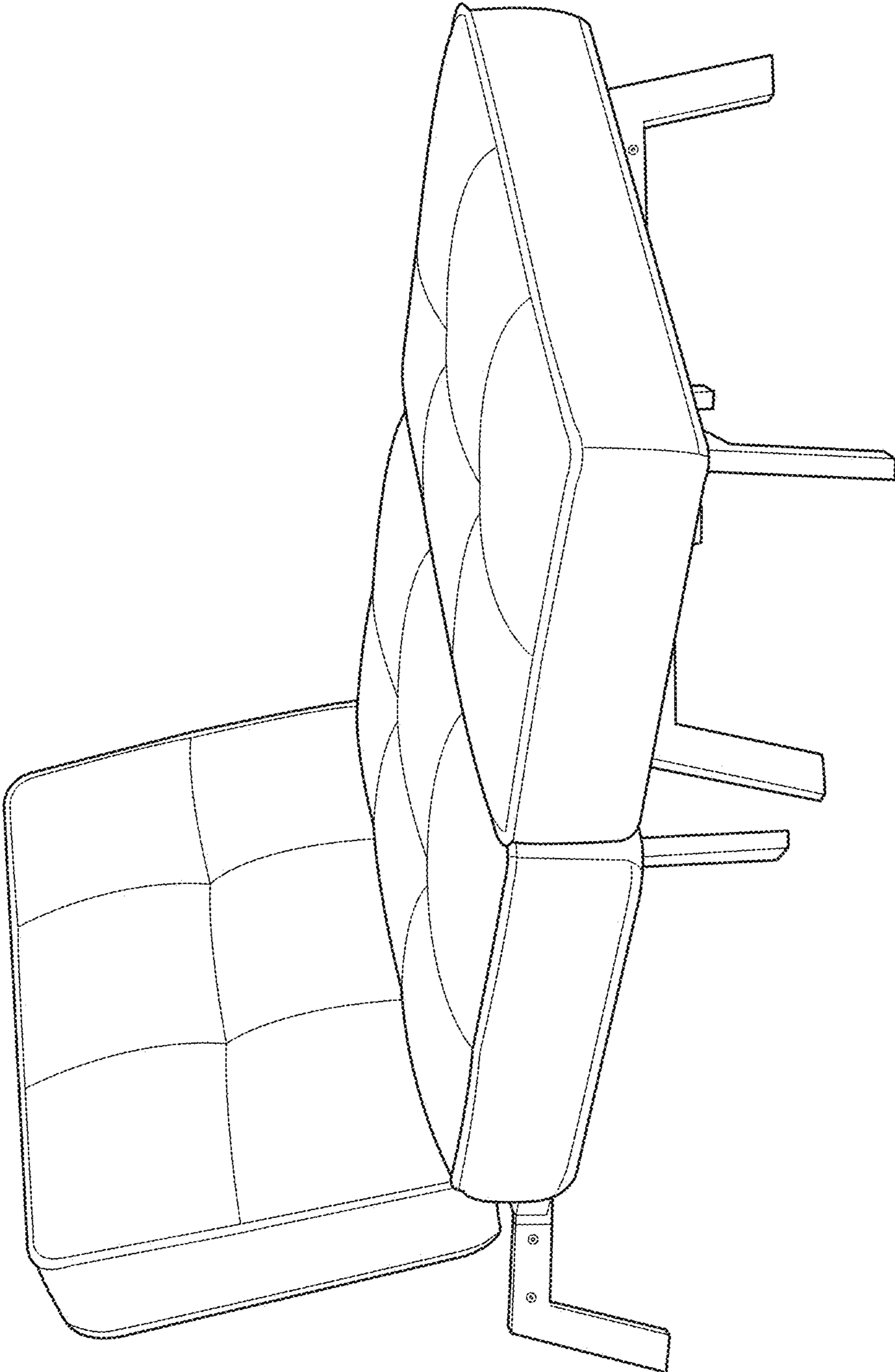


FIG. 2

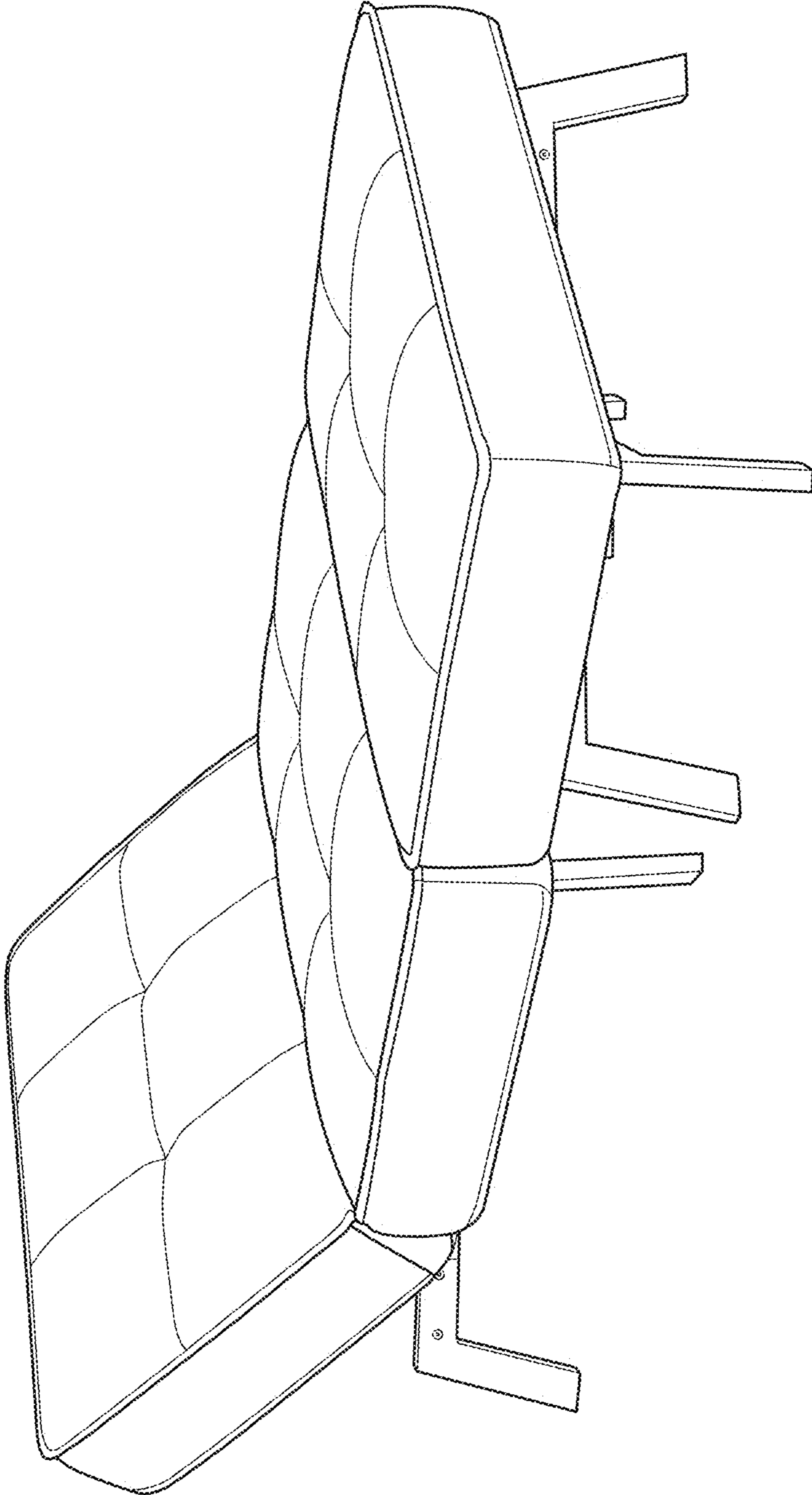


FIG. 3

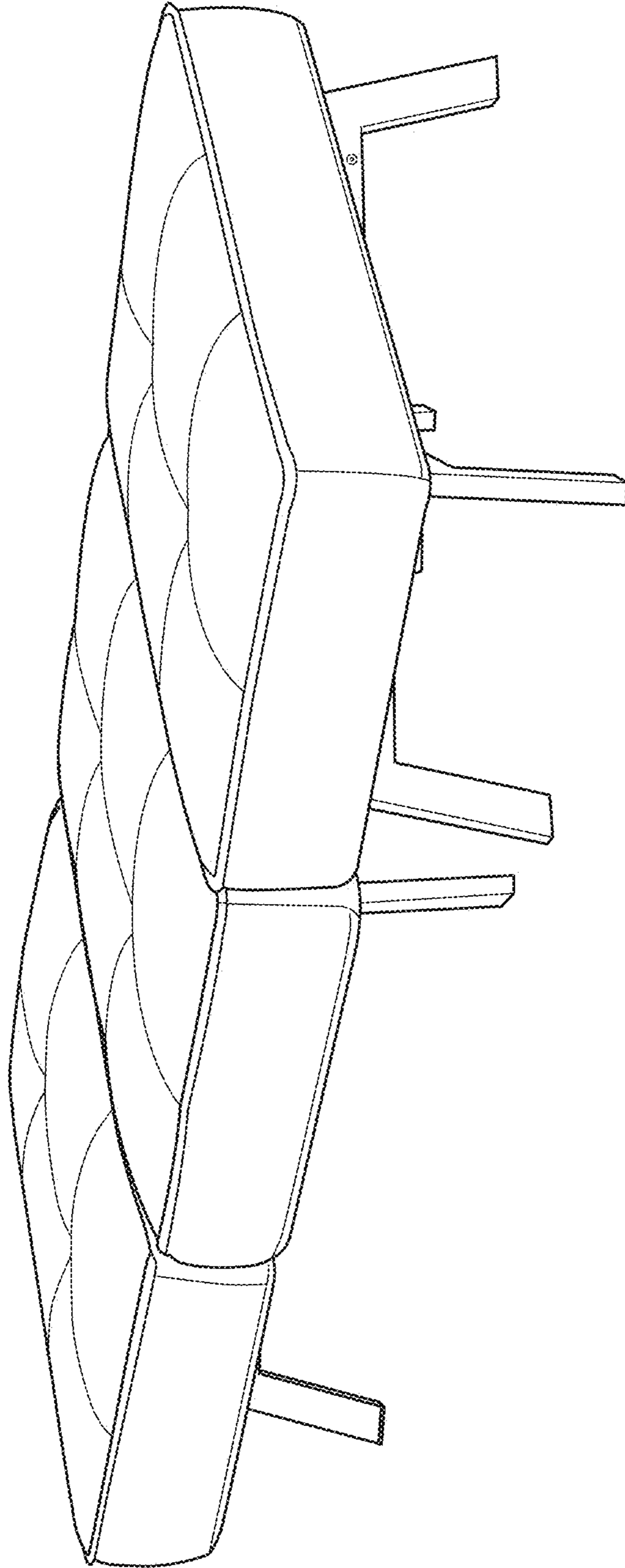


FIG. 4

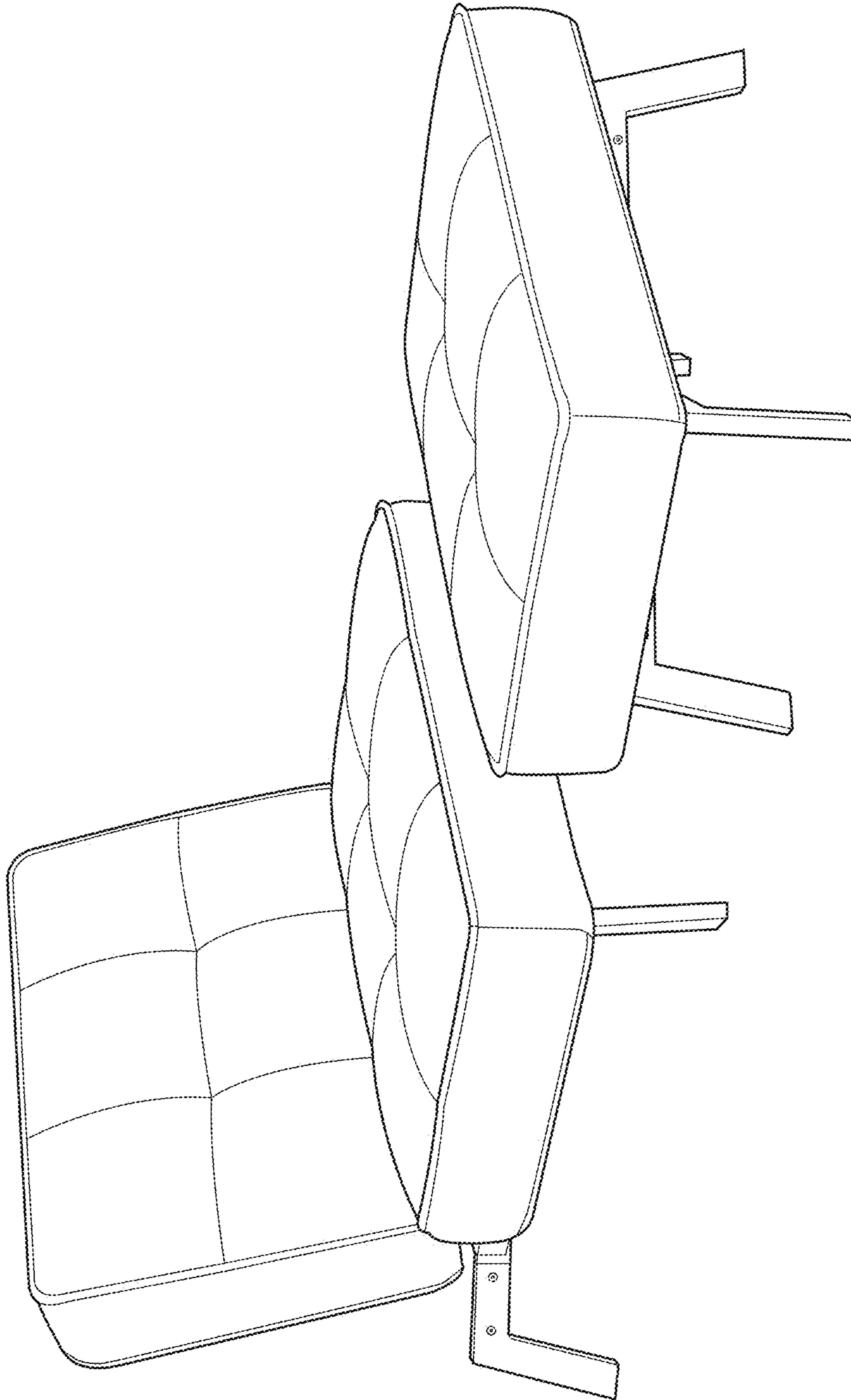


FIG. 5

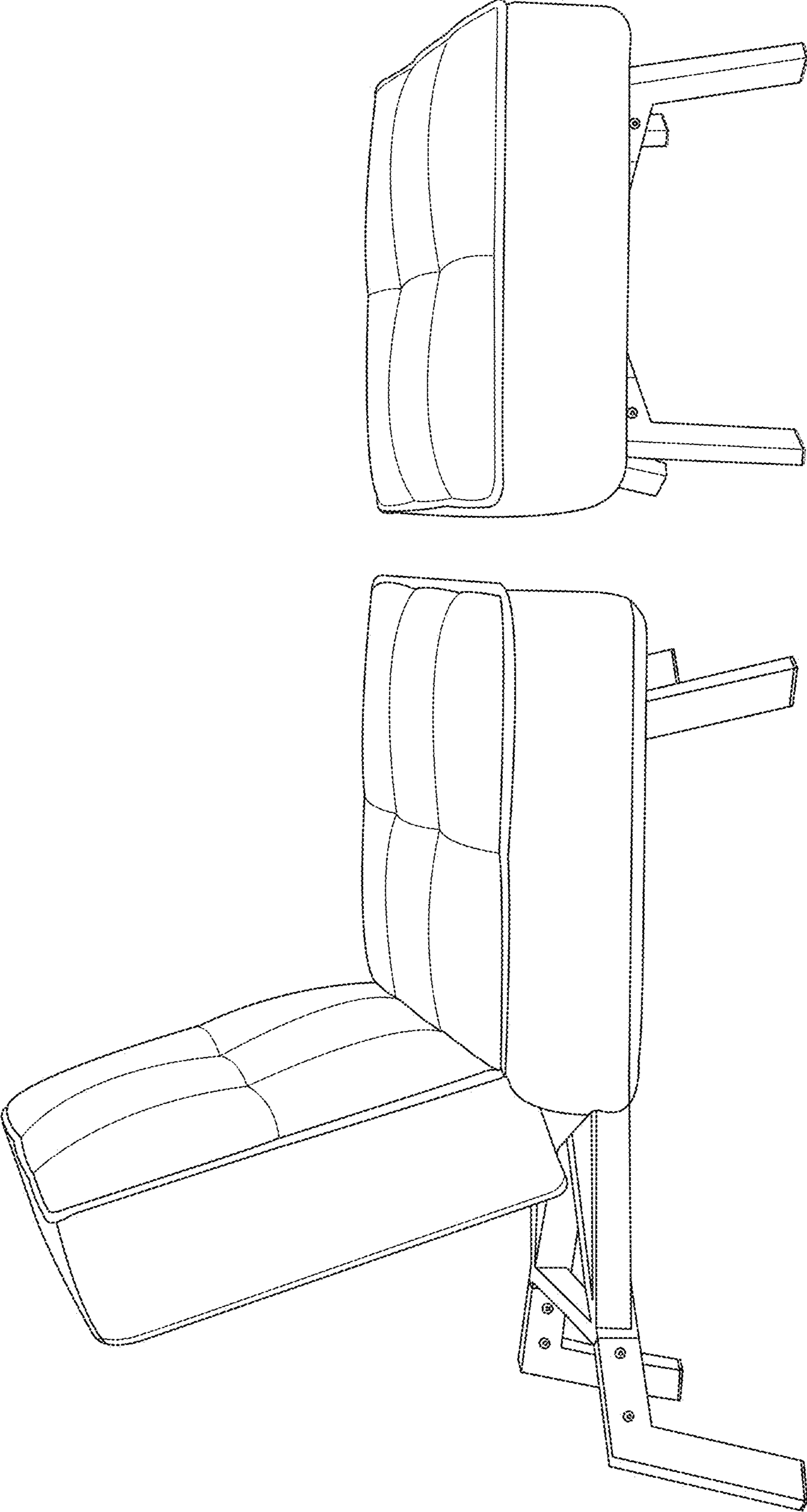


FIG. 6

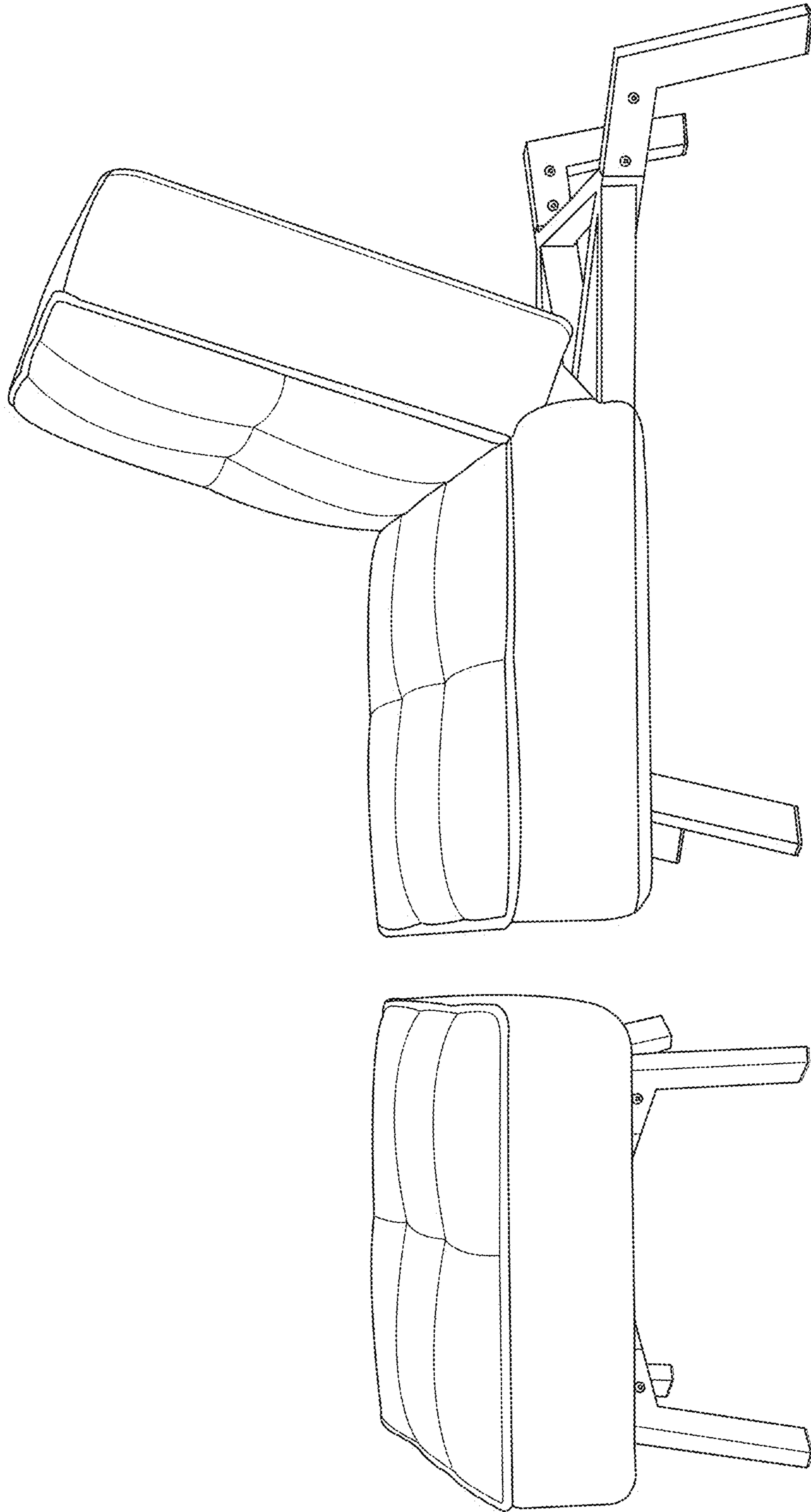


FIG. 7