



US00D959157S

(12) **United States Design Patent**
Peng

(10) **Patent No.:** **US D959,157 S**

(45) **Date of Patent:** **** Aug. 2, 2022**

(54) **SMART PHOTO FRAME**

(71) Applicant: **Shenzhen Yihenke Electronic Technology Co. Ltd, Shenzhen (CN)**

(72) Inventor: **Chao Peng, Ganzhou (CN)**

(**) Term: **15 Years**

(21) Appl. No.: **29/799,753**

(22) Filed: **Jul. 16, 2021**

(51) **LOC (13) Cl.** **06-07**

(52) **U.S. Cl.**
USPC **D6/310**

(58) **Field of Classification Search**
USPC D6/300-314; D10/15, 21, 24; D14/336, D14/371, 374, 375
CPC G09G 2380/16
See application file for complete search history.

(56) **References Cited**

U.S. PATENT DOCUMENTS

D527,534 S	9/2006	Schaefer et al.	
D528,309 S	9/2006	Schwind	
D608,547 S *	1/2010	Peng	D6/310
D610,356 S *	2/2010	Hoehn	D6/310
D618,192 S *	6/2010	Huang	D14/130
D625,929 S *	10/2010	Mitchell	D14/371
D636,188 S *	4/2011	Kim	D6/310
D802,944 S *	11/2017	Palfreeman	D6/308
D862,909 S *	10/2019	Zhou	D14/371
D882,966 S *	5/2020	Jiang	D14/371
D882,967 S *	5/2020	Jiang	D14/371
D884,367 S	5/2020	Gao	
D891,124 S *	7/2020	Zhou	D6/310

D891,428 S *	7/2020	Taylor	D14/371
D908,122 S *	1/2021	Luo	D14/336
D915,083 S *	4/2021	He	D6/300
D927,439 S *	8/2021	McConnell	D14/126
D936,978 S *	11/2021	Peng	D6/308
2009/0059052 A1 *	3/2009	Lin	G06F 1/3231 348/333.01
2013/0257743 A1 *	10/2013	Kwong	G06F 3/012 345/173

* cited by examiner

Primary Examiner — Deanna L Pratt

(57) **CLAIM**

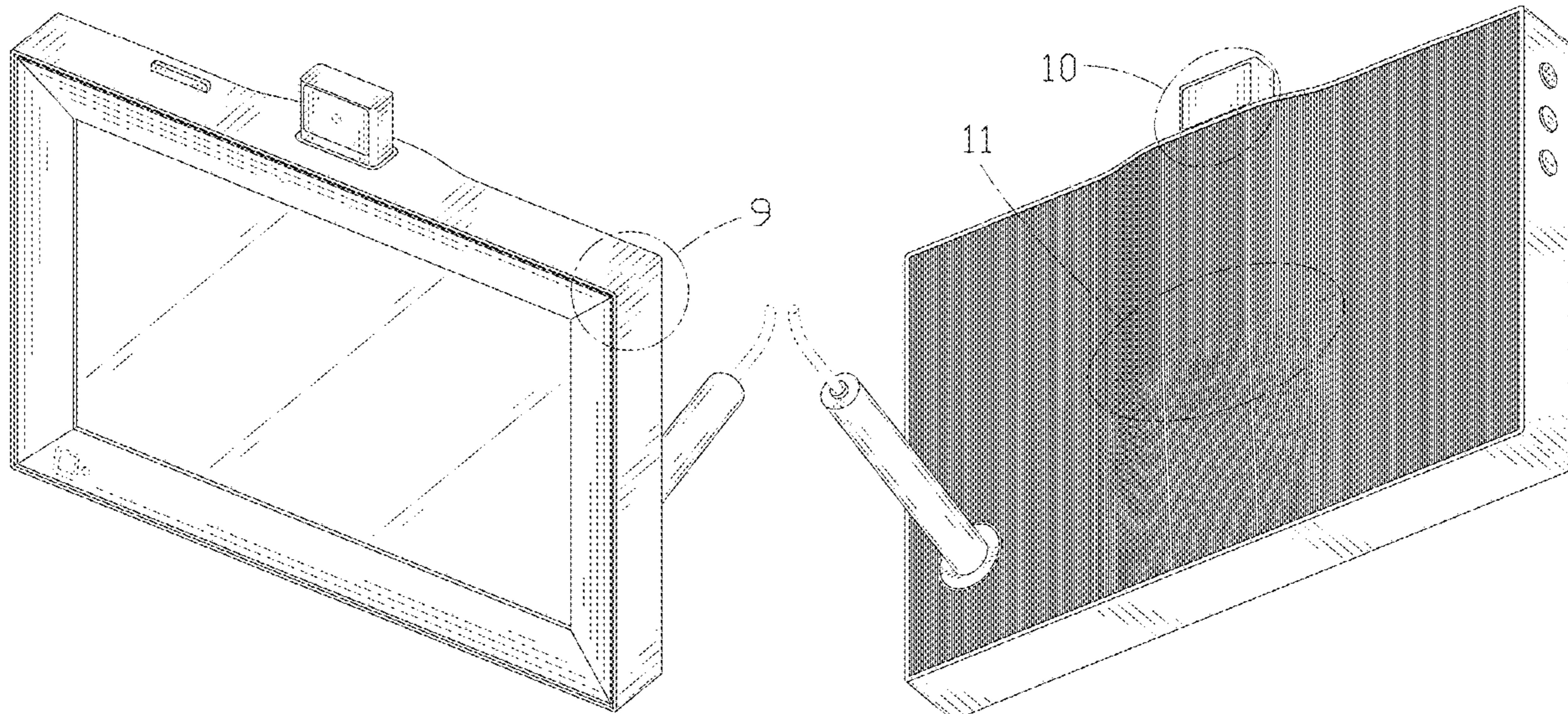
The ornamental design for a smart photo frame, as shown and described.

DESCRIPTION

FIG. 1 is a first perspective view of a smart photo frame showing my new design;
FIG. 2 is a second perspective view thereof;
FIG. 3 is a front view thereof;
FIG. 4 is a back view thereof;
FIG. 5 is a left side view thereof;
FIG. 6 is a right side view thereof;
FIG. 7 is a top view thereof;
FIG. 8 is a bottom view thereof;
FIG. 9 is an enlarged view of the selected portion in FIG. 1;
FIG. 10 is an enlarged view of the selected portion in FIG. 2; and,
FIG. 11 is an enlarged view of the selected portion in FIG. 2.

The broken lines shown in the drawings depict portions of the smart photo frame in which the design is embodied that form no part of the claimed design.

1 Claim, 11 Drawing Sheets



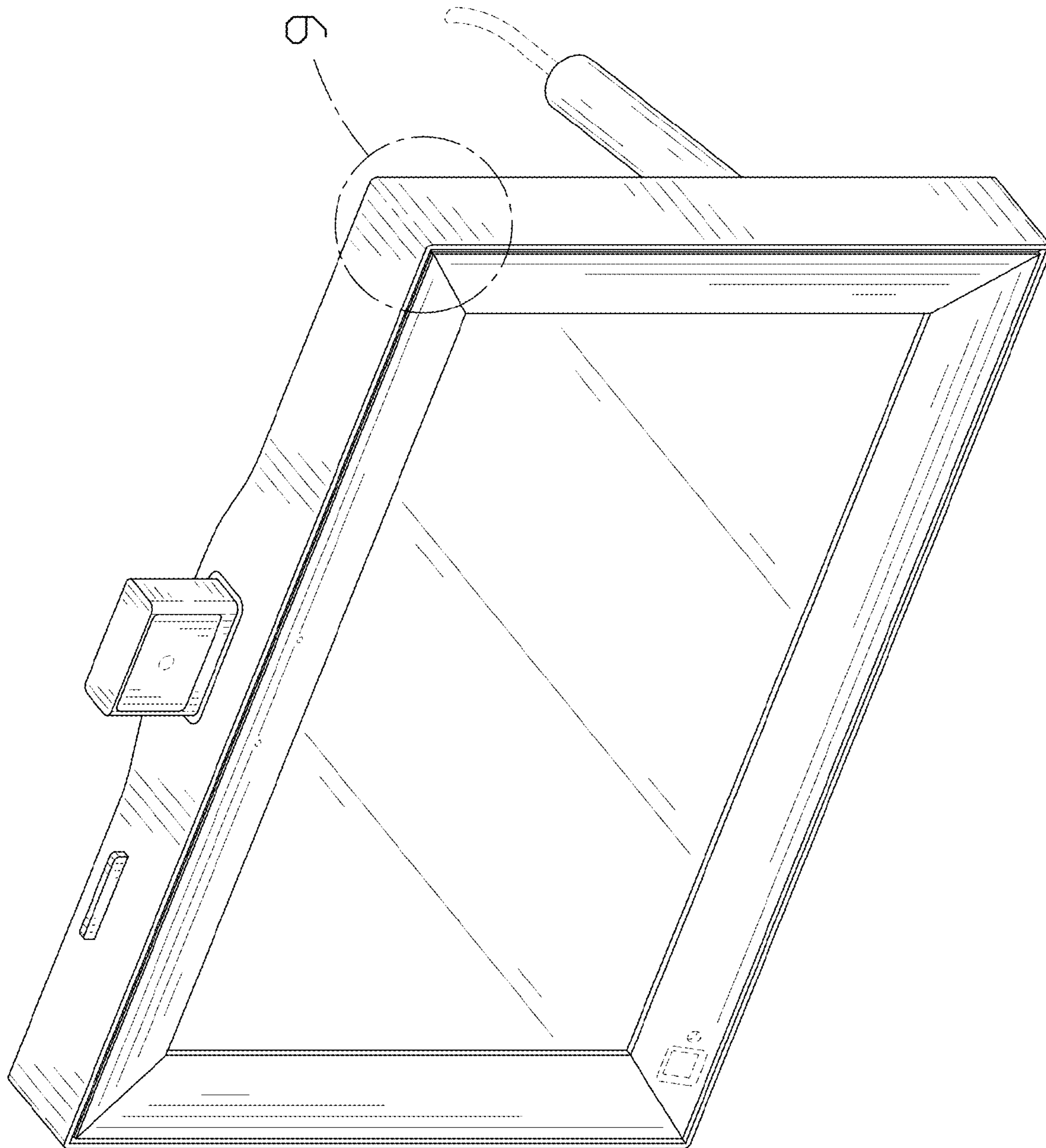


FIG. 1

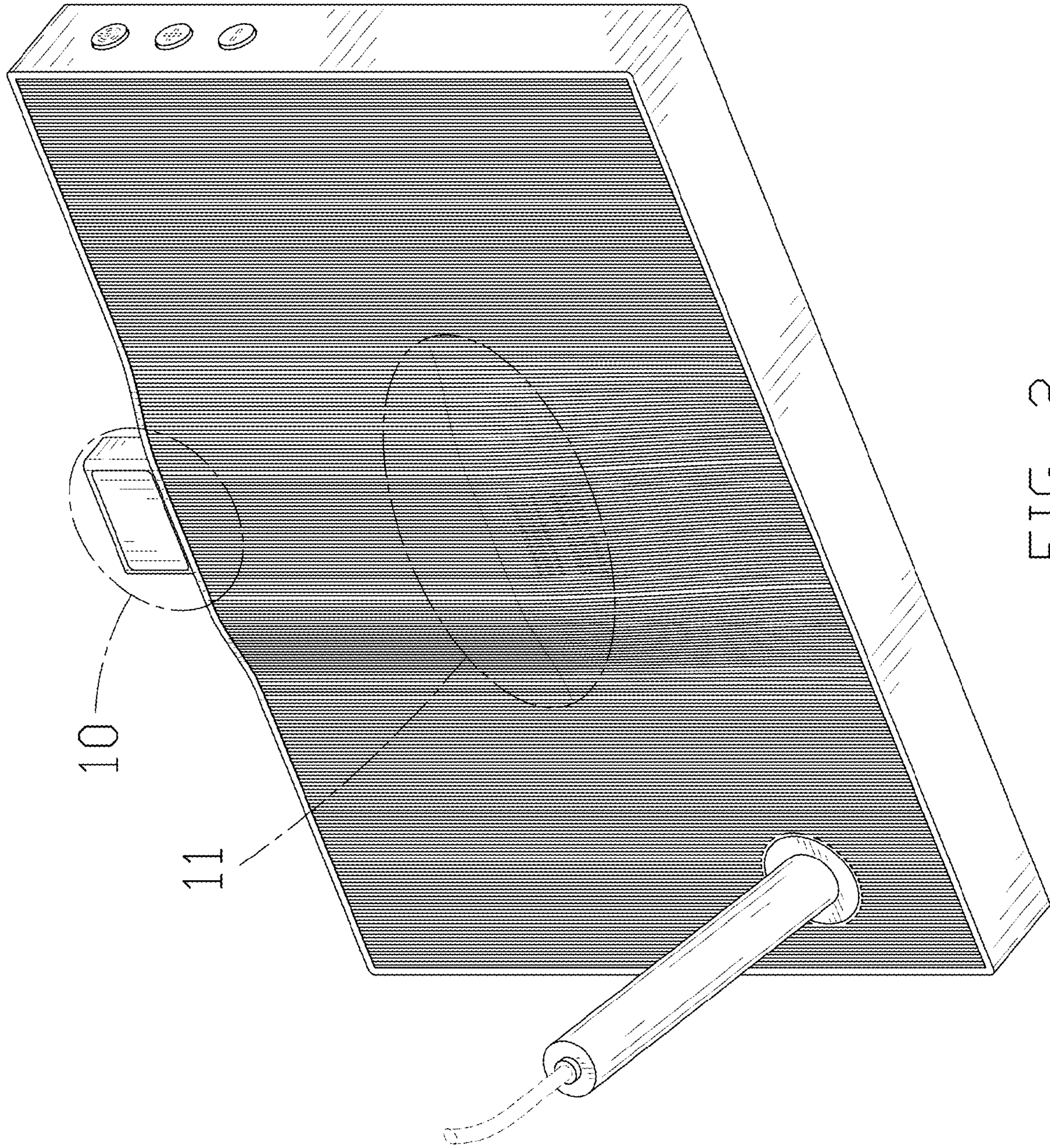


FIG. 2

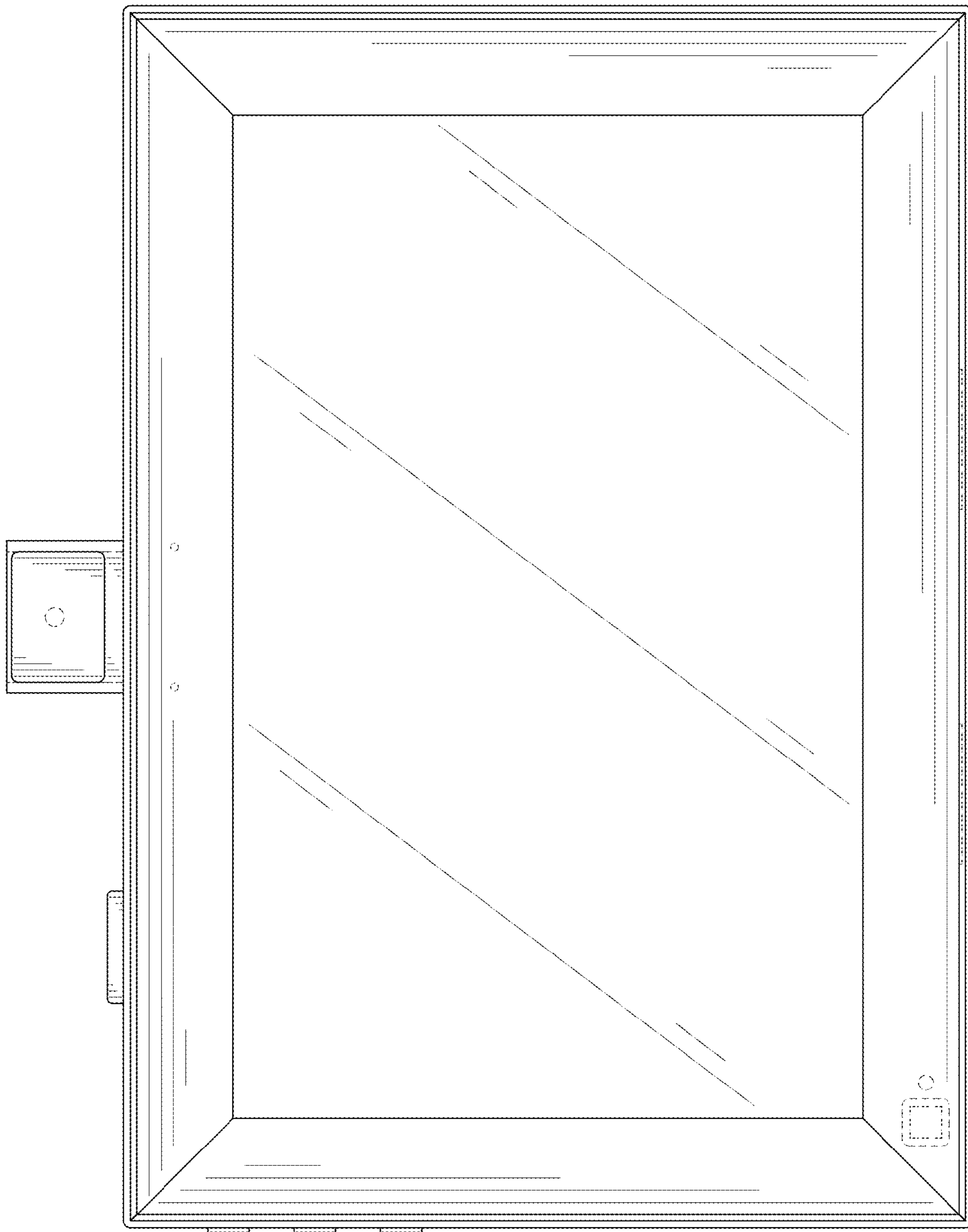


FIG. 3

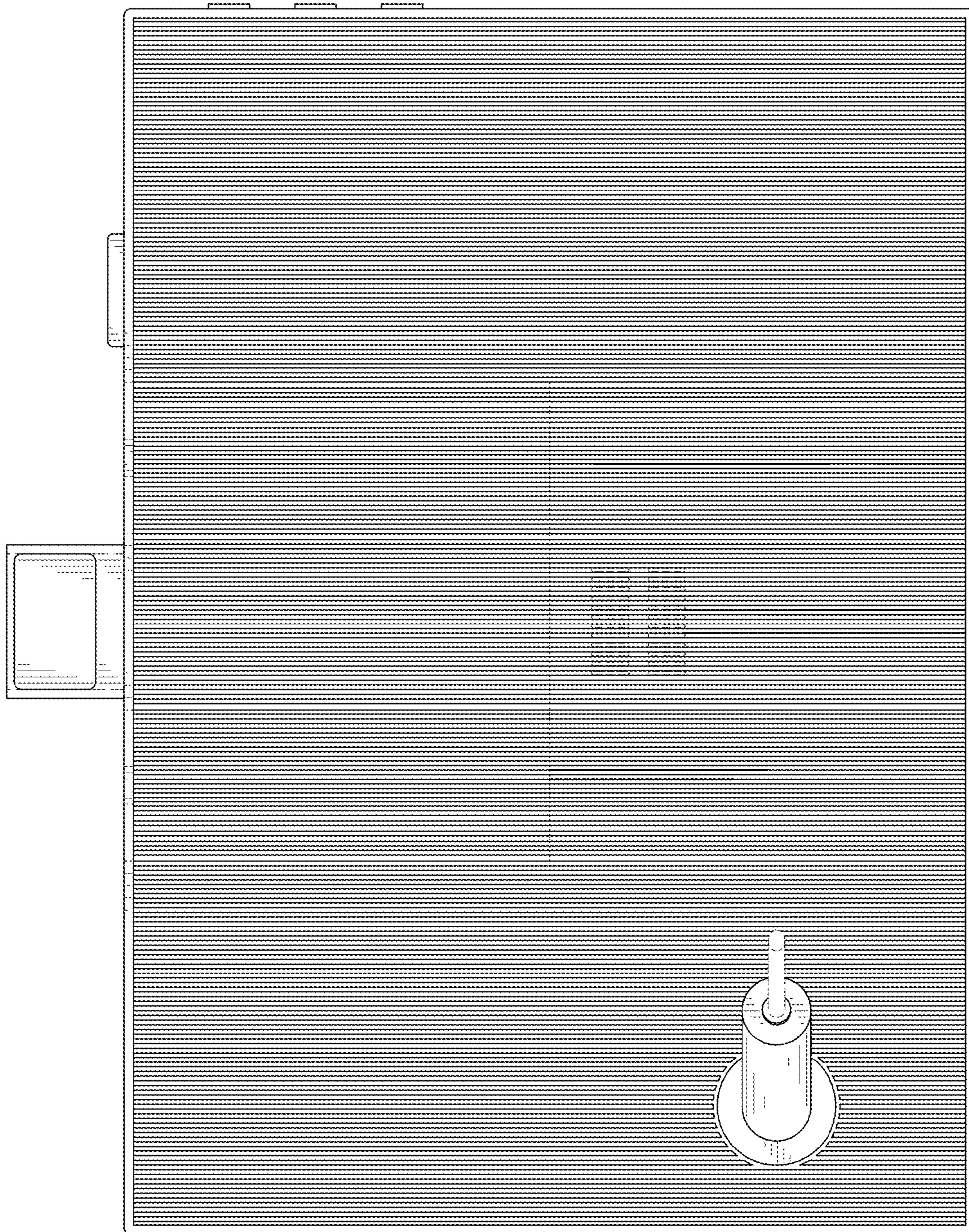


FIG. 4

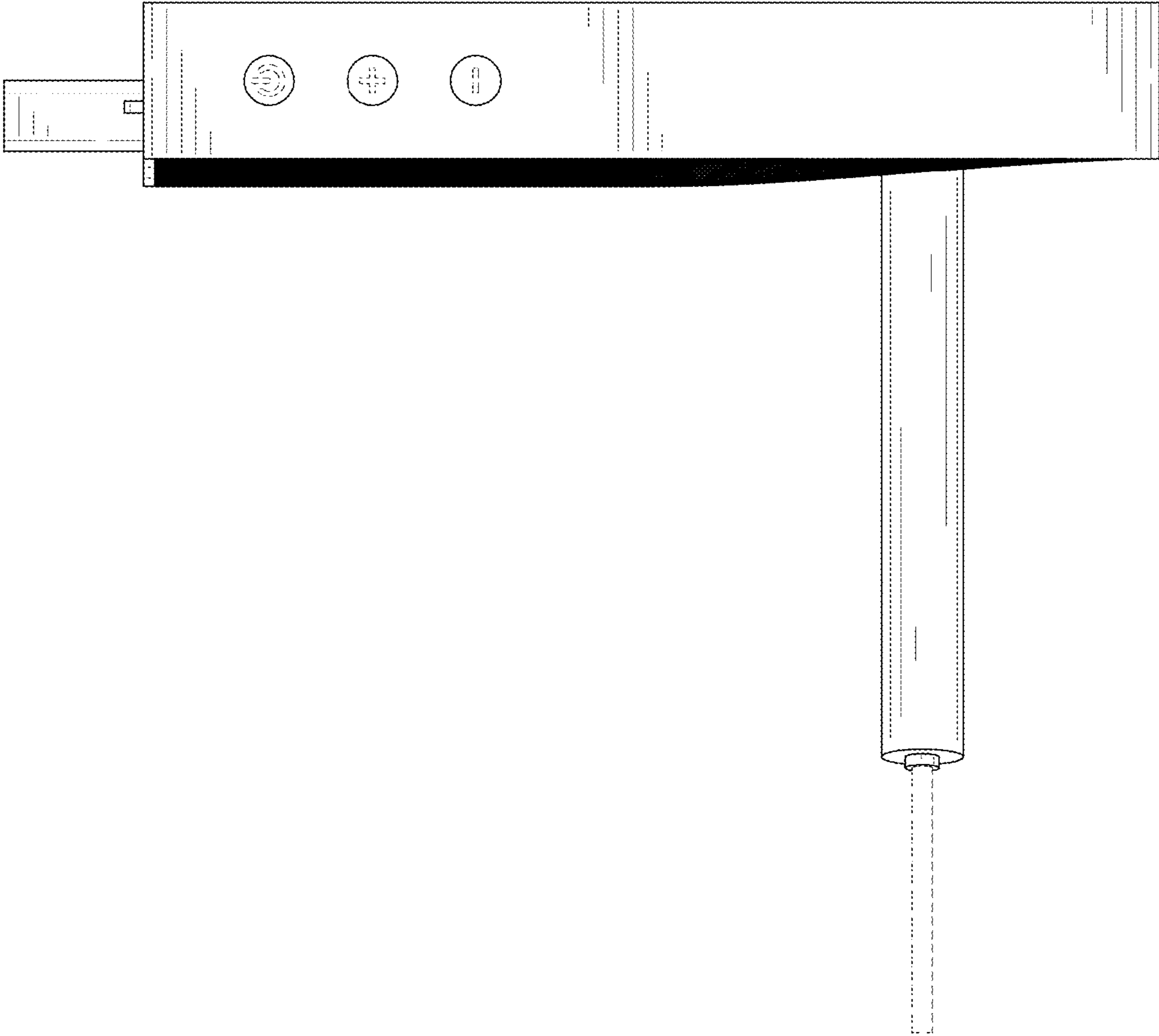


FIG. 5

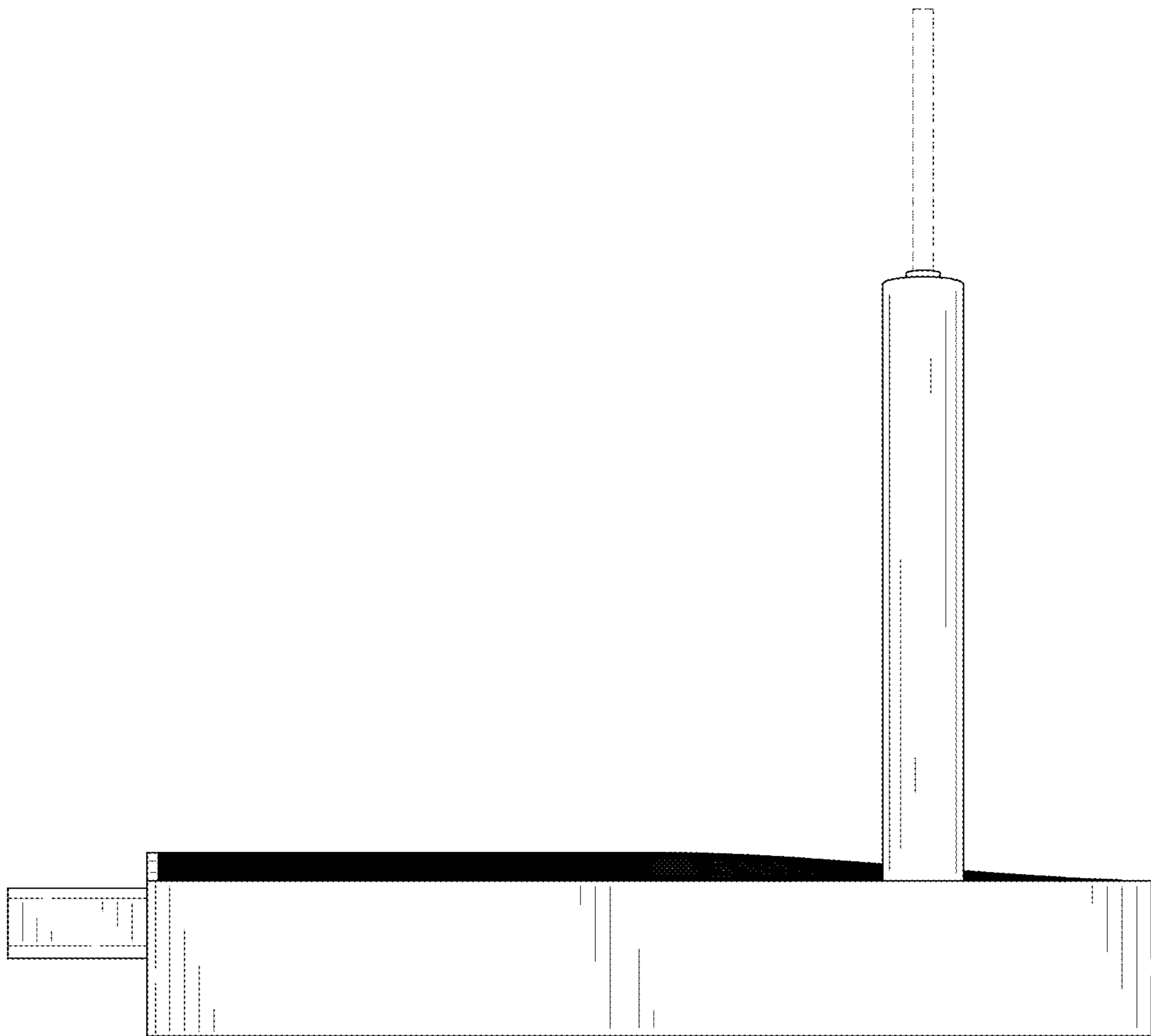


FIG. 6

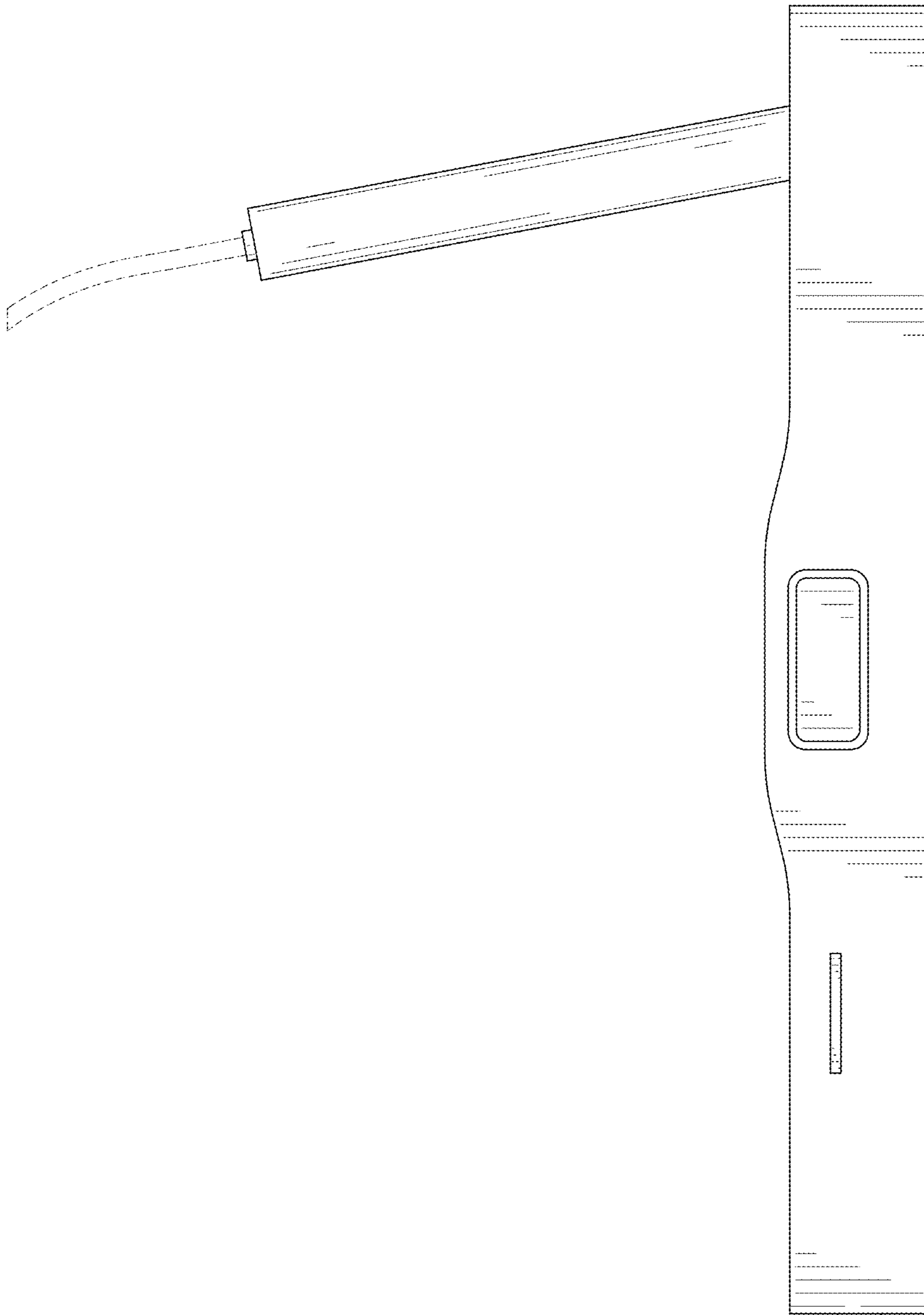


FIG. 7

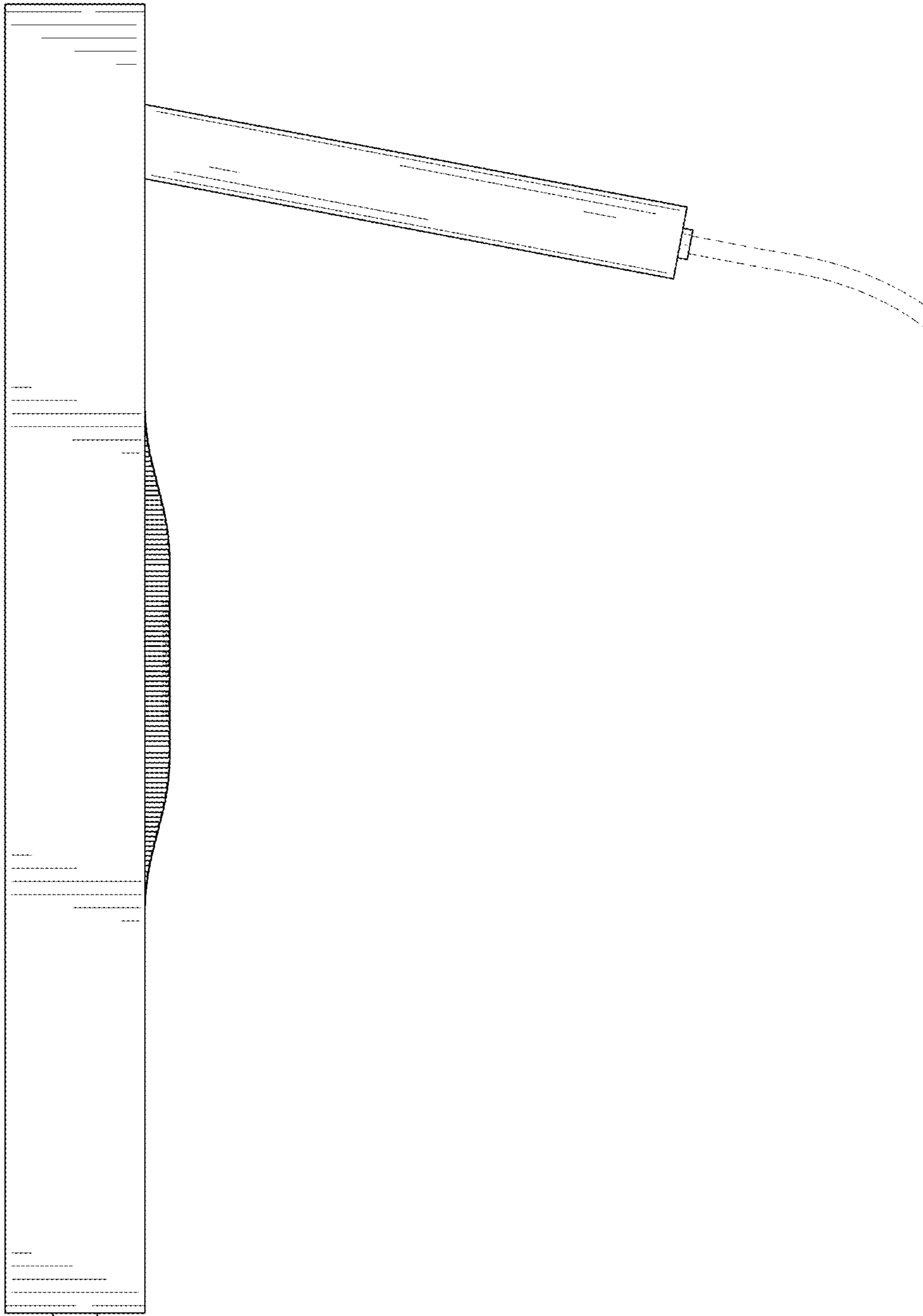


FIG. 8

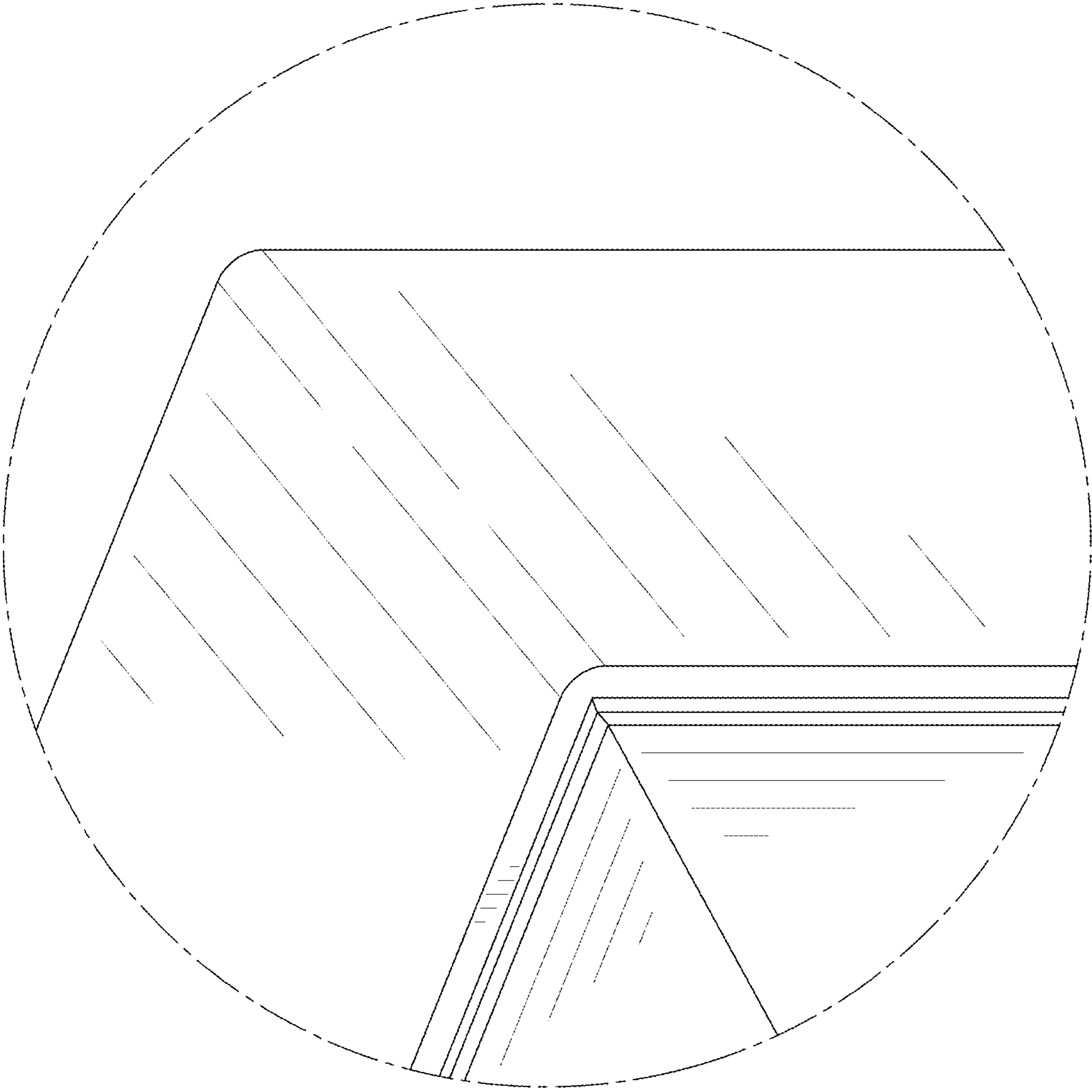


FIG. 9

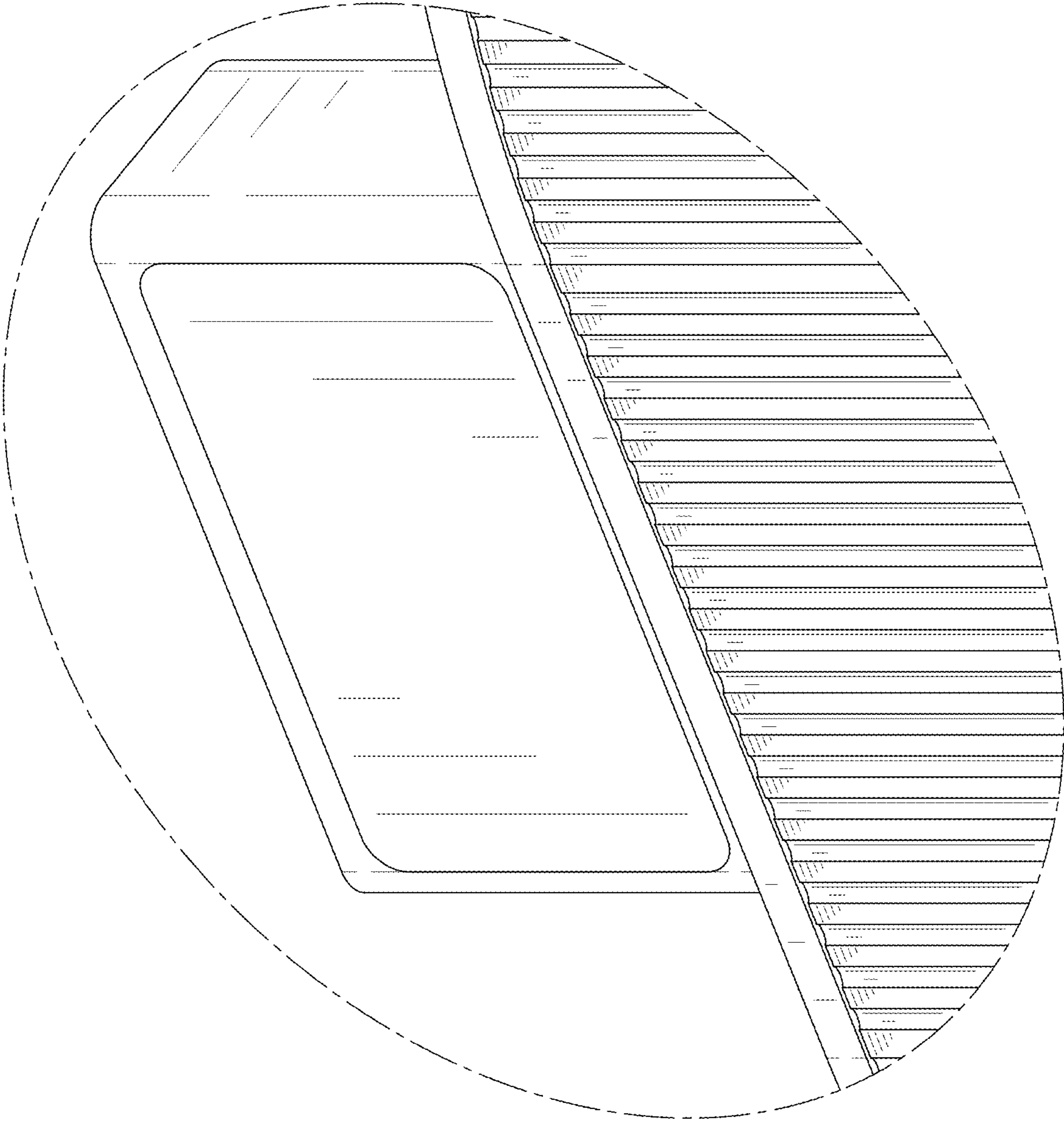


FIG. 10

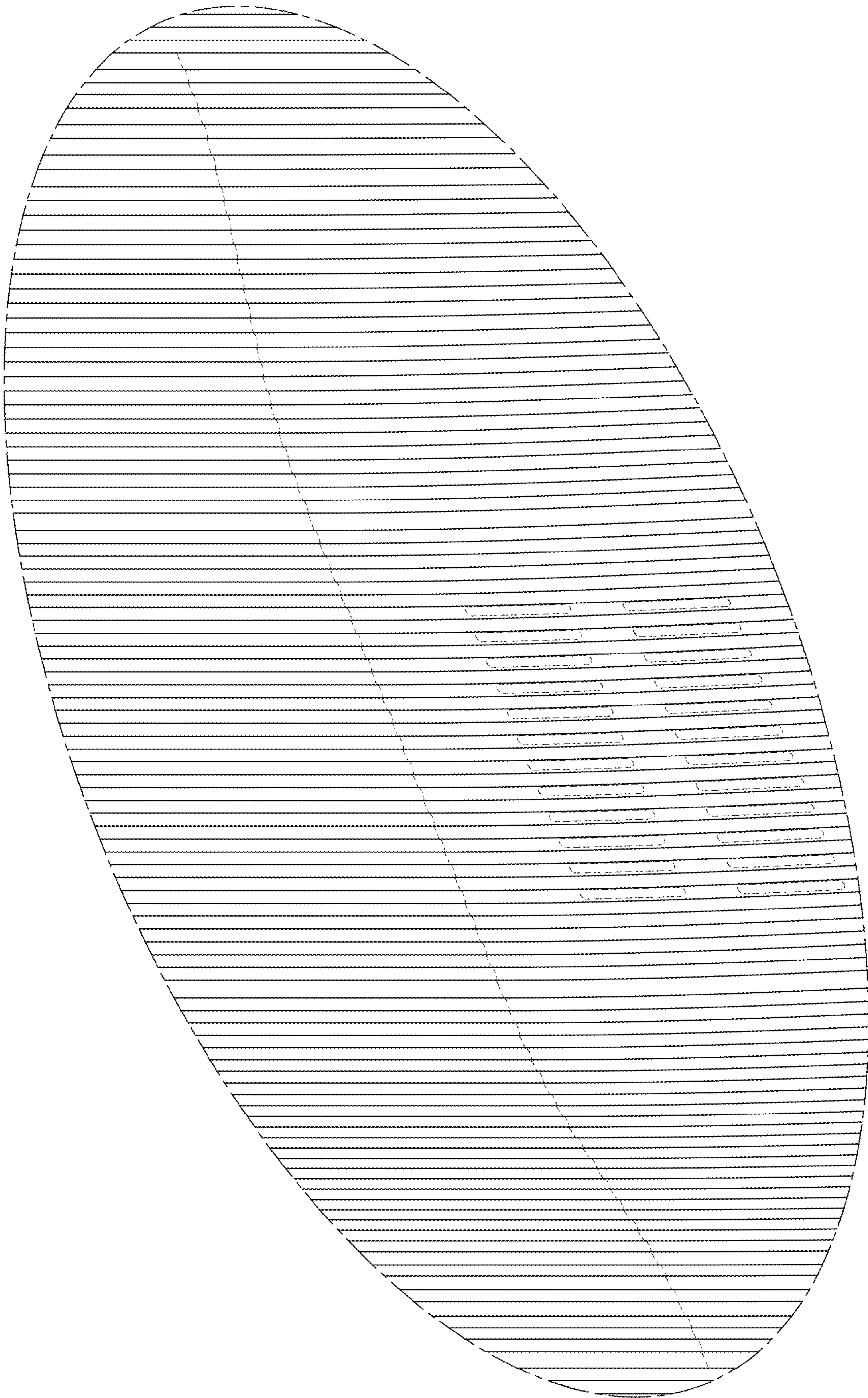


FIG. 11