



US00D959153S

(12) **United States Design Patent** (10) **Patent No.:** **US D959,153 S**  
**Bennion et al.** (45) **Date of Patent:** **\*\* Aug. 2, 2022**

- (54) **GRILL BRUSH**
- (71) Applicant: **Weber-Stephen Products LLC**,  
Palatine, IL (US)
- (72) Inventors: **Derek Bennion**, Chicago, IL (US);  
**Romualdo Sonny Siazon**, Woodstock,  
IL (US); **Teresa Vitale**, Rolling  
Meadows, IL (US)
- (73) Assignee: **WEBER-STEPHEN PRODUCTS  
LLC**, Palatine, IL (US)
- (\*\*) Term: **15 Years**
- (21) Appl. No.: **29/739,341**
- (22) Filed: **Jun. 24, 2020**
- (51) **LOC (13) Cl.** ..... **04-99**
- (52) **U.S. Cl.**  
USPC ..... **D4/127**
- (58) **Field of Classification Search**  
USPC ..... D4/102, 109, 110, 111, 127, 128, 132,  
D4/133, 134, 137, 199  
CPC . A47L 13/06; A47L 17/00; A46B 2200/3093;  
A46B 2200/3033  
See application file for complete search history.

- D532,609 S 11/2006 Zemel
- D533,397 S 12/2006 Zemel
- D535,519 S 1/2007 Zemel
- D550,504 S 9/2007 Zemel
- (Continued)

**OTHER PUBLICATIONS**

Amazon brush, announced Aug. 2021 [online], [site visited Mar. 28, 2022]. Available from internet, URL: [https://www.amazon.com/Long-Handle-Grill-Brush-Replaceable/dp/B09BZPKYD7/ref=sr\\_1\\_28?crd=3RKK8QVSV763Z&keywords=grill+brush&qid=1648495640&sprefix=grill+bru%2Caps%2C186&sr=8-28](https://www.amazon.com/Long-Handle-Grill-Brush-Replaceable/dp/B09BZPKYD7/ref=sr_1_28?crd=3RKK8QVSV763Z&keywords=grill+brush&qid=1648495640&sprefix=grill+bru%2Caps%2C186&sr=8-28) (Year: 2021).\*

(Continued)

*Primary Examiner* — Cynthia Ramirez  
*Assistant Examiner* — Tamara L Hahn  
(74) *Attorney, Agent, or Firm* — Hanley, Flight & Zimmerman, LLC

(57) **CLAIM**

The ornamental design for a grill brush, as shown and described.

**DESCRIPTION**

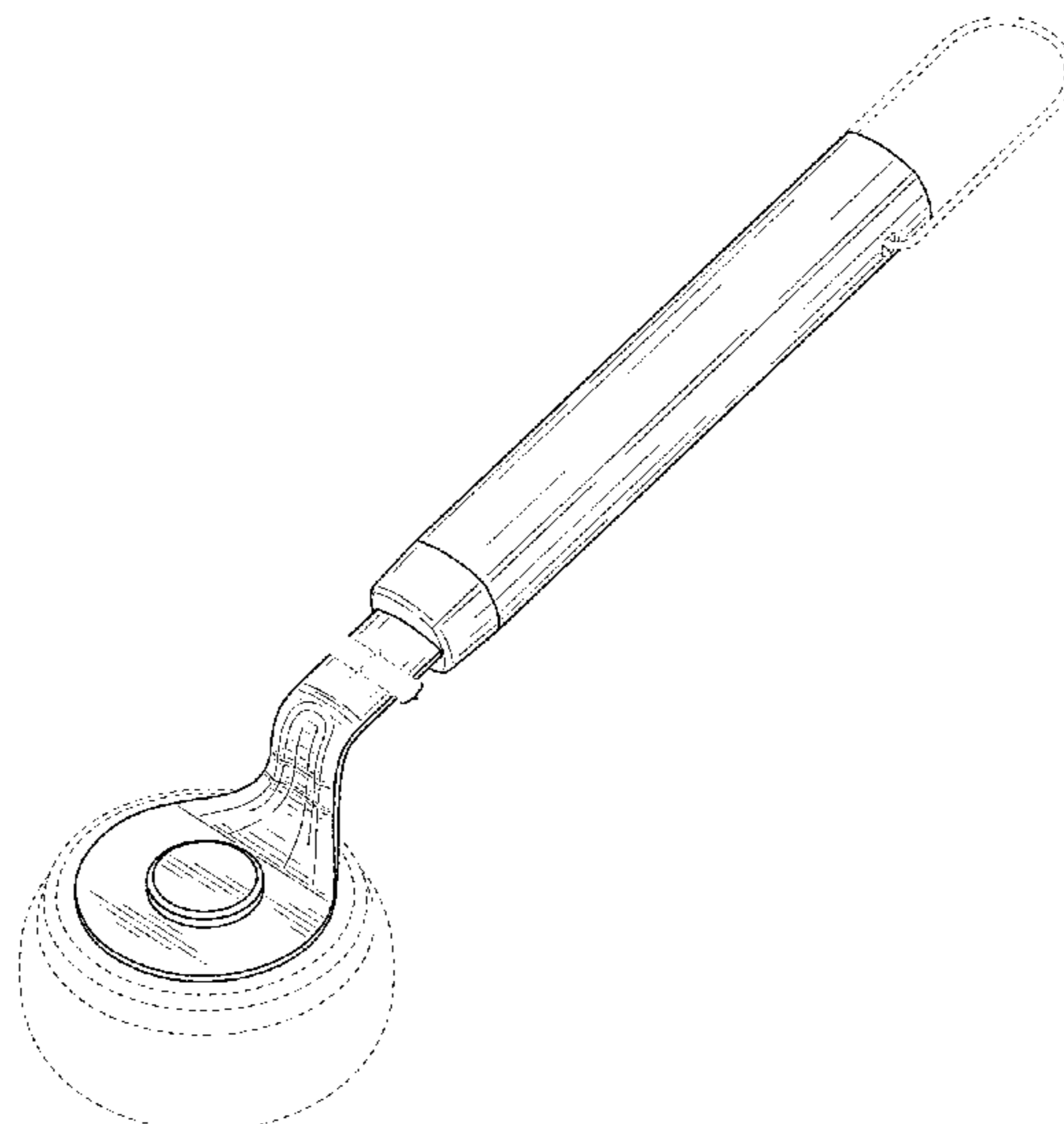
FIG. 1 is a perspective view of a grill brush.  
FIG. 2 is a right side view of the grill brush of FIG. 1.  
FIG. 3 is a left side view of the grill brush of FIG. 1.  
FIG. 4 is a front view of the grill brush of FIG. 1.  
FIG. 5 is a rear view of the grill brush of FIG. 1.  
FIG. 6 is a top view of the grill brush of FIG. 1; and,  
FIG. 7 is a bottom view of the grill brush of FIG. 1.  
The broken lines in the drawings depict portions of the grill brush that form no part of the claimed design.  
The lighter solid lines denote surfaces and contours. Line shading is not surface ornamentation.  
The handle shown in the drawings is shown with a symbolic break in its length. The appearance of any portion of the article between the break lines forms no part of the claimed design.

**1 Claim, 4 Drawing Sheets**

(56) **References Cited**

**U.S. PATENT DOCUMENTS**

- 3,199,139 A \* 8/1965 Vallis ..... A47L 17/00  
15/118
- D247,075 S \* 1/1978 Krusche ..... 15/244.1
- D331,499 S \* 12/1992 Tsai ..... D4/115
- D346,698 S \* 5/1994 Hinnant ..... D4/114
- D358,491 S 5/1995 Hoagland
- D471,365 S \* 3/2003 Henrie ..... D4/120
- D476,525 S 7/2003 Zemel
- 6,584,638 B2 7/2003 Nigh et al.
- D490,614 S \* 6/2004 Katz ..... D28/7
- D522,247 S 6/2006 Moore
- D529,335 S 10/2006 Zemel
- D531,853 S 11/2006 Zemel



(56)

References Cited

U.S. PATENT DOCUMENTS

D557,021 S 12/2007 Zemel  
 D561,477 S 2/2008 Zemel  
 D562,009 S 2/2008 Zemel  
 D562,062 S 2/2008 Zemel  
 D564,292 S 3/2008 Zemel  
 D569,174 S 5/2008 Zemel  
 D572,011 S 7/2008 Zemel  
 D572,079 S 7/2008 Zemel  
 D572,080 S 7/2008 Zemel  
 D579,269 S 10/2008 Zemel  
 D579,668 S 11/2008 Zemel  
 D590,600 S 4/2009 Dow et al.  
 D593,755 S 6/2009 Mendez et al.  
 D595,057 S 6/2009 Dow et al.  
 D618,499 S 6/2010 Zemel  
 D622,542 S 8/2010 Zemel  
 D650,219 S 12/2011 Lu  
 D658,937 S 5/2012 Zemel  
 D660,141 S 5/2012 Zemel  
 D663,125 S 7/2012 Zemel  
 D663,159 S 7/2012 Zemel  
 D663,531 S 7/2012 Zemel  
 8,516,644 B2 8/2013 Witzel et al.  
 D695,019 S 12/2013 Zemel et al.  
 8,615,838 B1 12/2013 Lu  
 D699,949 S 2/2014 Zemel et al.  
 D702,996 S 4/2014 Zemel et al.  
 8,806,698 B2 8/2014 Enders et al.  
 D718,059 S 11/2014 Foster et al.  
 D720,106 S 12/2014 Zemel et al.  
 D741,605 S 10/2015 Witzel et al.  
 9,210,993 B2 12/2015 Gonzalez et al.  
 D753,403 S 4/2016 Zemel et al.  
 D753,404 S 4/2016 Zemel et al.

9,357,832 B2 6/2016 Gonzalez et al.  
 9,357,833 B2 6/2016 Gonzalez et al.  
 D773,242 S 12/2016 Zemel et al.  
 D816,347 S 5/2018 Zemel et al.  
 D819,977 S 6/2018 Zemel et al.  
 D832,648 S 11/2018 Zemel  
 D833,153 S 11/2018 Zemel  
 D839,605 S 2/2019 Zemel  
 D845,639 S 4/2019 Hu  
 D848,156 S \* 5/2019 Dovellos ..... D4/128  
 D866,985 S 11/2019 Zemel  
 D878,056 S \* 3/2020 Mikaelsson ..... D4/127  
 2003/0145406 A1 8/2003 Wang  
 2005/0086754 A1 4/2005 Dalias  
 2018/0140085 A1 5/2018 Mills  
 2019/0035366 A1 2/2019 Norris

OTHER PUBLICATIONS

IP Australia, "Certificate of Registration," issued in connection with Australian Patent Application No. 202014601, dated Nov. 13, 2020, 7 pages.  
 China National Intellectual Property Administration, "Notice of Decision of Grant of Patent," issued in connection with Chinese Patent Application No. 202030531934.4, dated Jan. 14, 2021, 4 pages.  
 China National Intellectual Property Administration, "Design Certificate," issued in connection with Chinese Patent Application No. ZL 202030531934.4, dated Feb. 16, 2021, 3 pages.  
 European Union Intellectual Property Office, "Certificate of Registration No. 008166870-0001," dated Sep. 11, 2020, 5 pages.  
 IP Australia, "Certificate of Examination," issued in connection with Australian Patent Application No. 202014601, dated Mar. 14, 2021, 2 pages.

\* cited by examiner

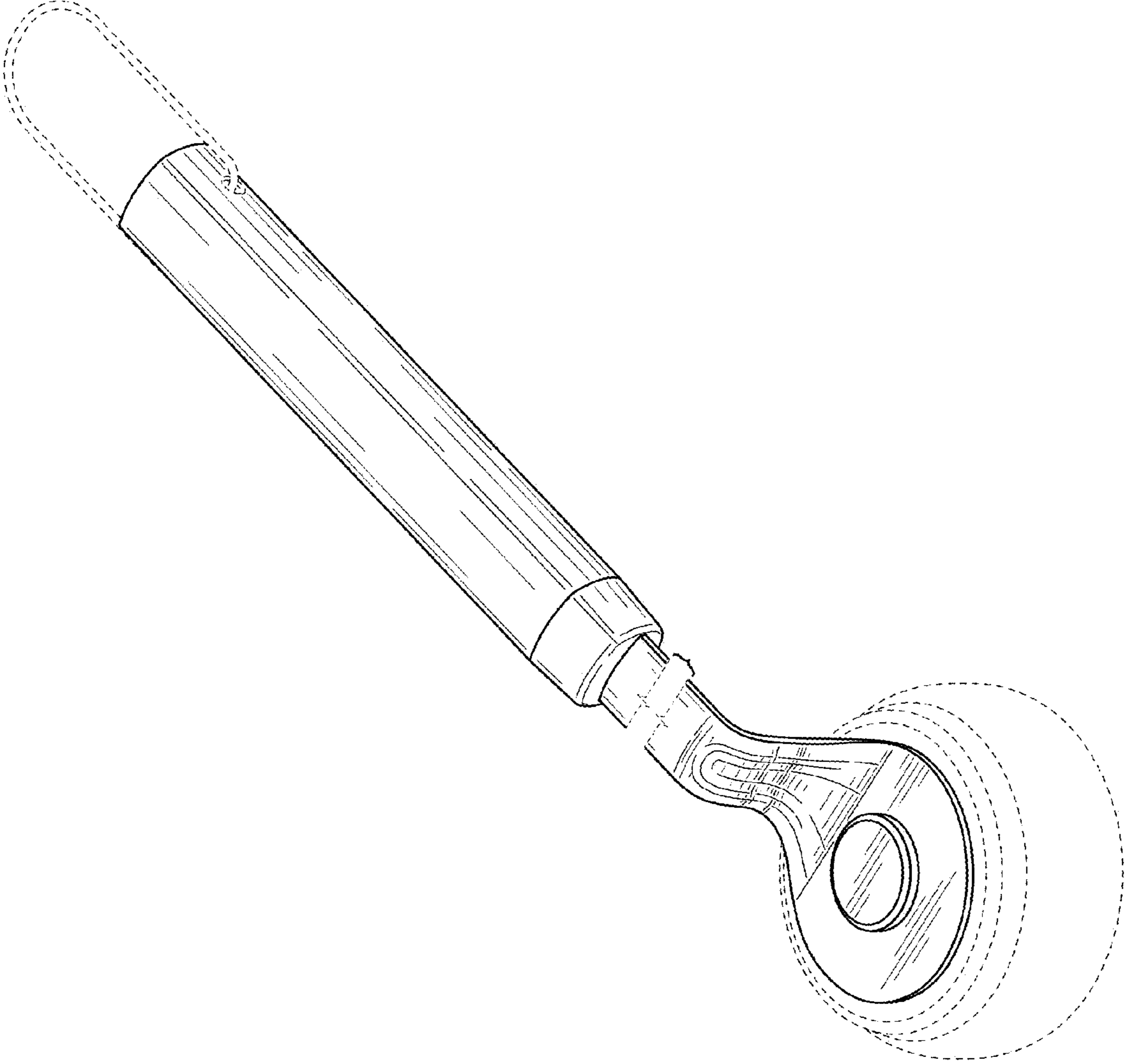


FIG. 1

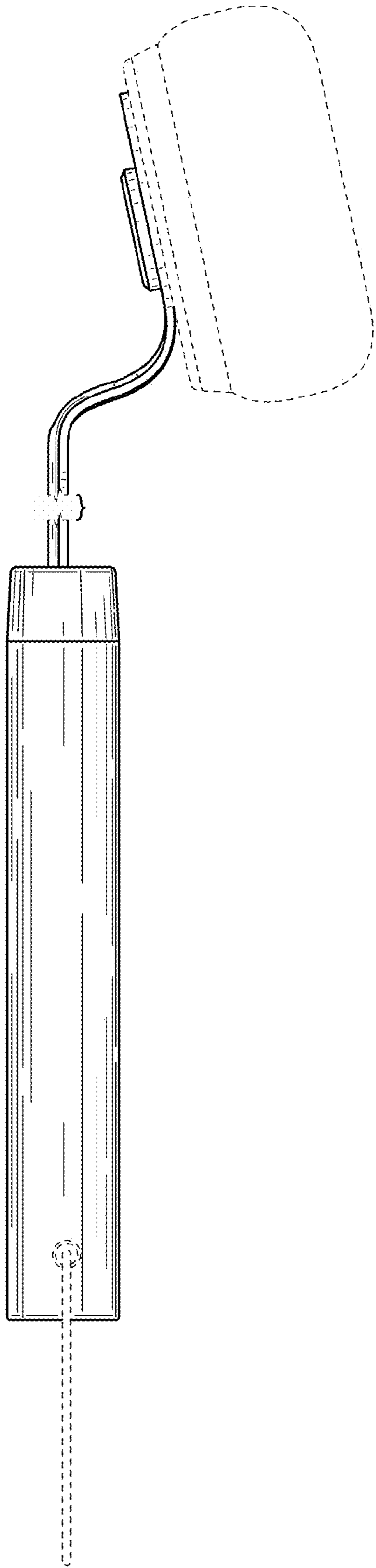


FIG. 2

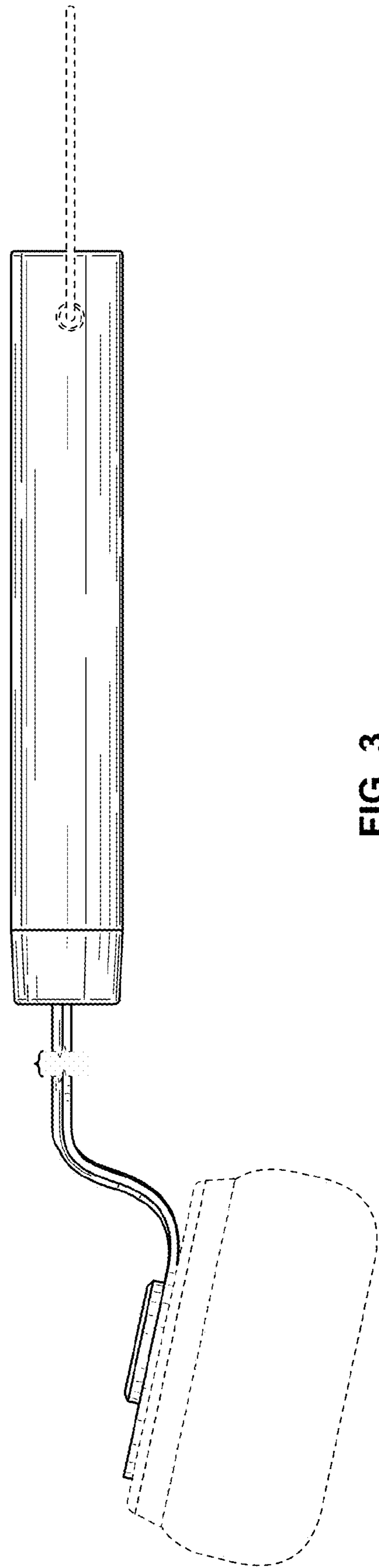


FIG. 3

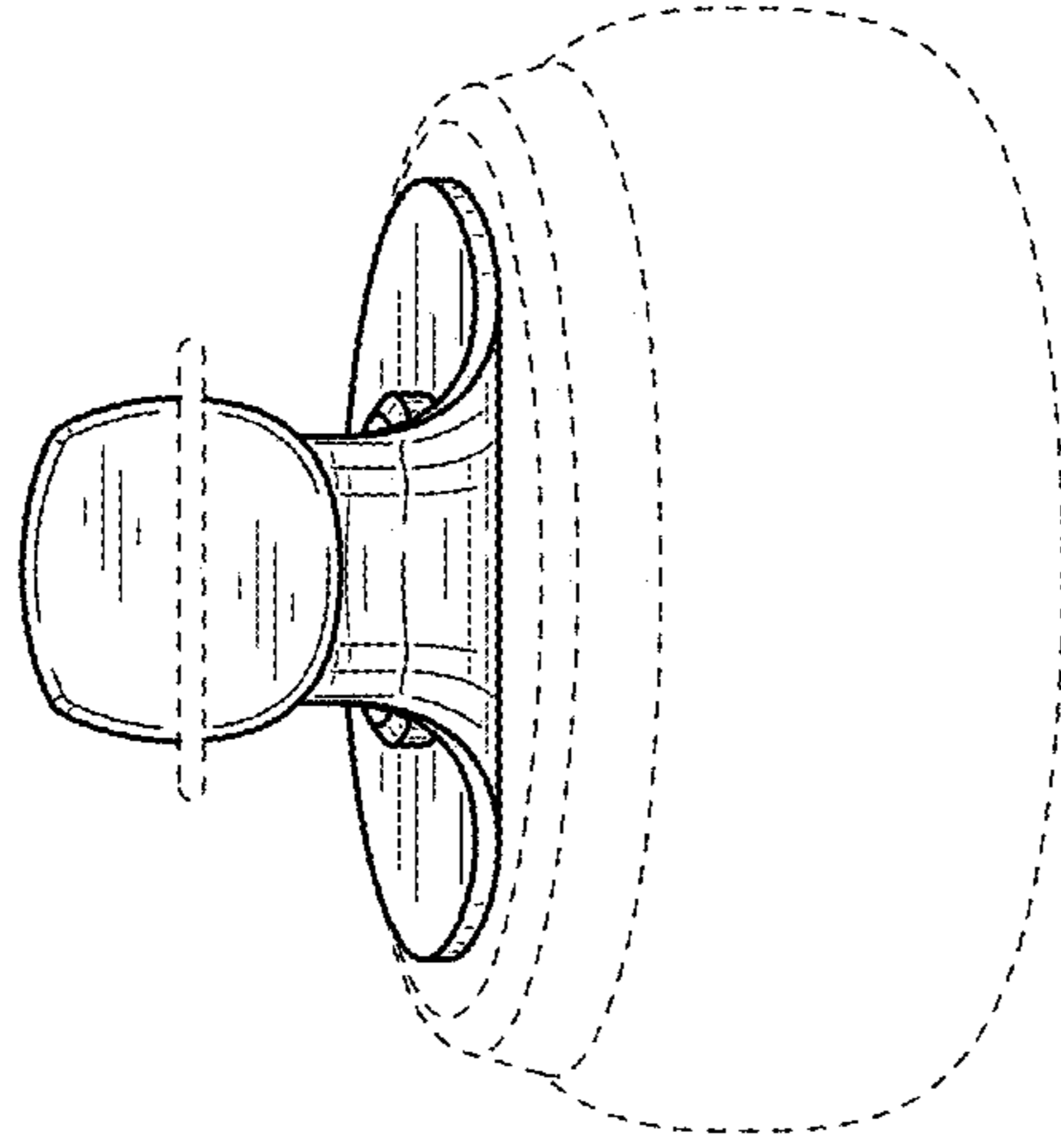


FIG. 5

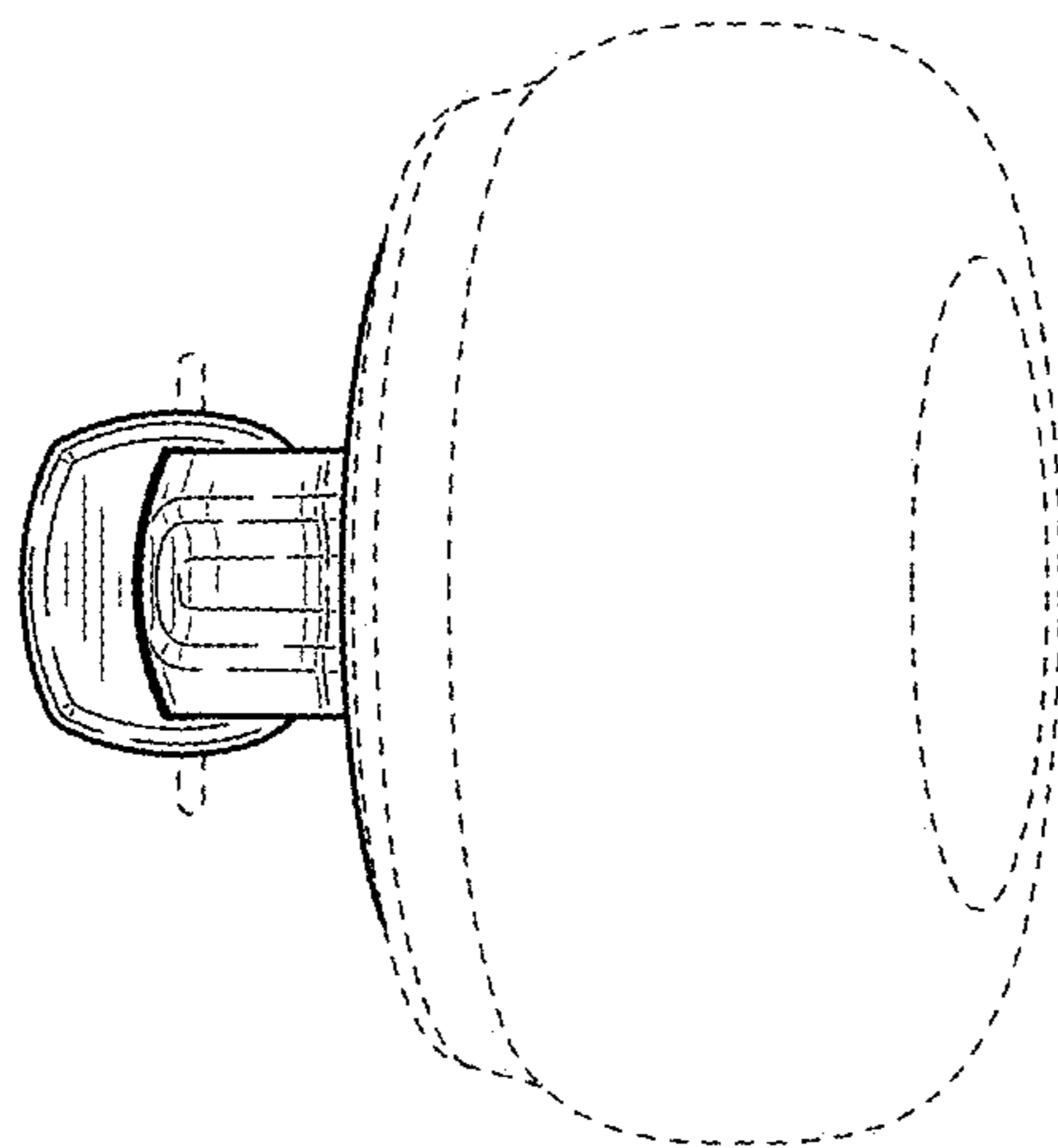


FIG. 4

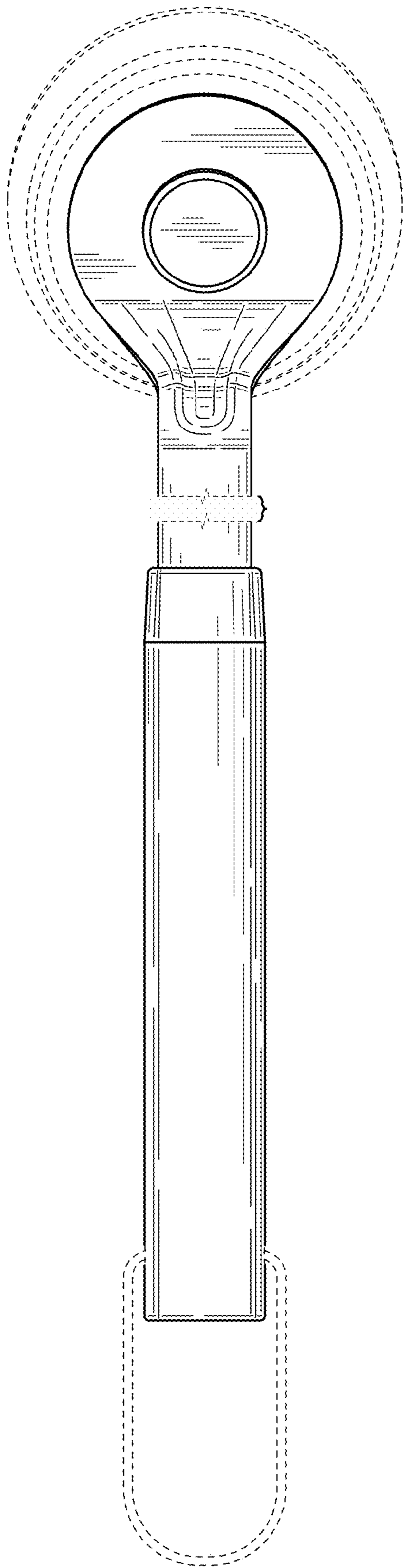


FIG. 6

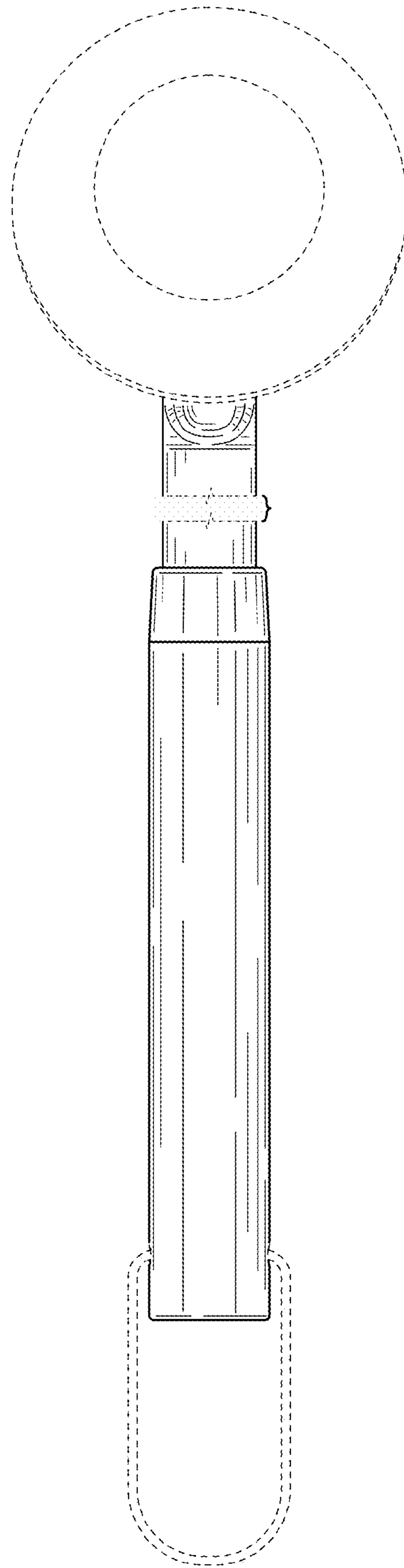


FIG. 7