



US00D959151S

(12) **United States Design Patent** (10) **Patent No.:** **US D959,151 S**
Lee et al. (45) **Date of Patent:** **** Aug. 2, 2022**

(54) **BRUSH FOR BODY CLEANSING APPARATUS**
(71) Applicant: **LG ELECTRONICS INC., Seoul (KR)**
(72) Inventors: **Gayeong Lee, Seoul (KR); Minji Seo, Seoul (KR)**
(73) Assignee: **LG ELECTRONICS INC., Seoul (KR)**
(**) Term: **15 Years**

D381,139 S * 7/1997 Johnson D32/19
D505,749 S * 5/2005 Angeletta D28/7
D636,933 S * 4/2011 Newman D28/7
D764,806 S * 8/2016 Prat-Pfister D4/127
D797,461 S * 9/2017 Dandridge D4/127
D851,407 S * 6/2019 Brown D4/127
D882,273 S * 4/2020 Kling D4/127
D884,270 S * 5/2020 Meranus A45D 34/06
D28/7
D909,762 S * 2/2021 He D4/127
10,966,514 B2 * 4/2021 Goldberg A46B 13/008
D926,476 S * 8/2021 Odunsi D4/136
D932,043 S * 9/2021 Sedic D24/215
D933,366 S * 10/2021 Tseng D4/100
2007/0000566 A1 * 1/2007 Gueret A45D 34/04
141/98

(21) Appl. No.: **29/802,010**
(22) Filed: **Aug. 2, 2021**
(30) **Foreign Application Priority Data**
Feb. 19, 2021 (KR) 30-2021-0008561
(51) **LOC (13) Cl.** **04-01**
(52) **U.S. Cl.**
USPC **D4/115**
(58) **Field of Classification Search**
USPC D4/115, 136, 100, 127; D24/215, 211;
D28/7; D32/19
CPC A45D 34/06; A45D 24/42; A45D 34/04;
A61H 7/003; A61C 1/082; A46B 13/008
See application file for complete search history.

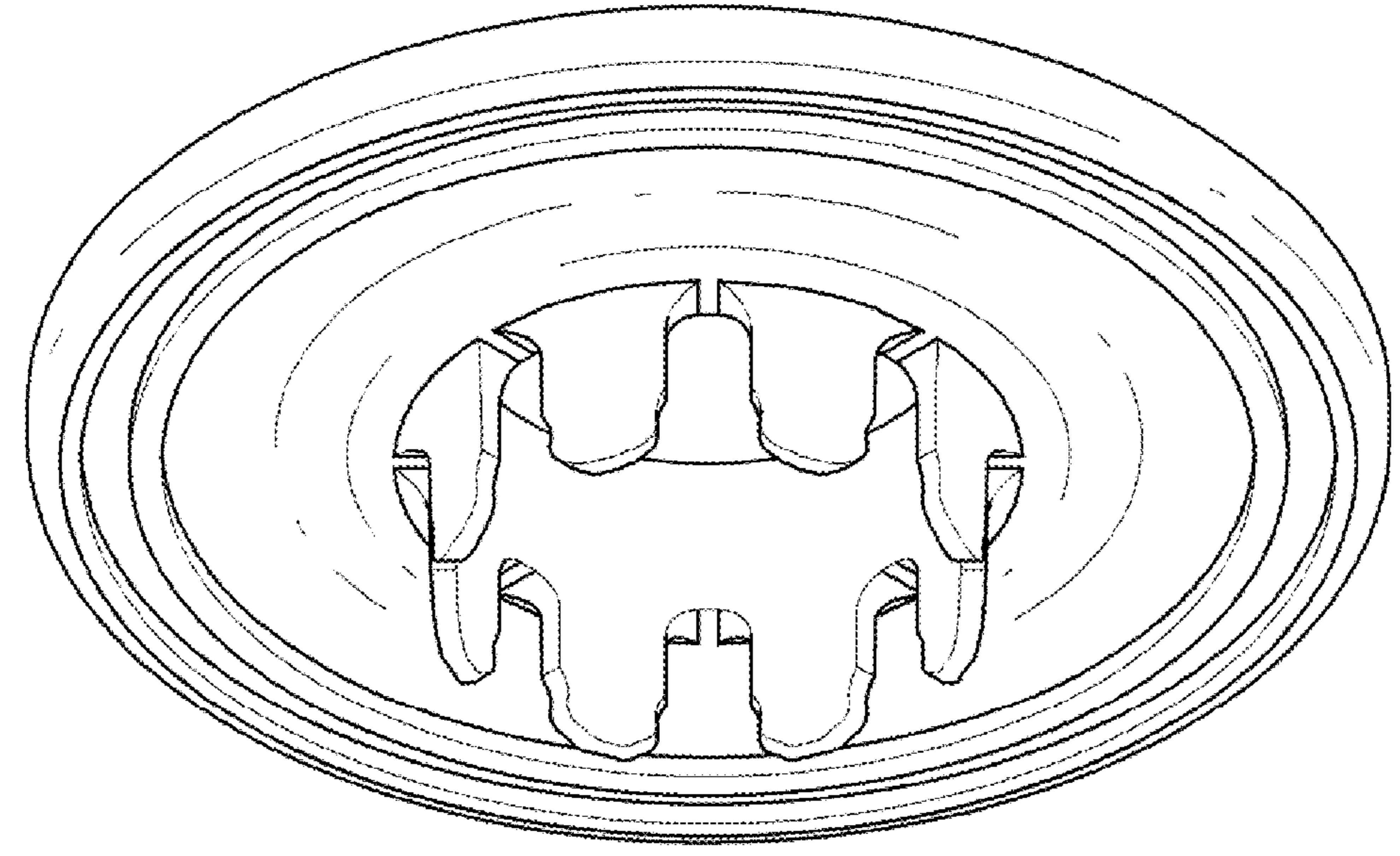
(56) **References Cited**
U.S. PATENT DOCUMENTS
1,913,462 A * 6/1933 Timar A61H 7/003
601/135
D140,384 S * 2/1945 Latshaw D24/211
2,448,846 A * 9/1948 Trochim A61H 7/003
601/154
3,368,554 A * 2/1968 Hwa A45D 24/42
15/184

(Continued)
Primary Examiner — Rhea Shields
(74) *Attorney, Agent, or Firm* — Birch, Stewart, Kolasch & Birch, LLP

(57) **CLAIM**
The ornamental design for a brush for body cleansing apparatus, as shown and described.

DESCRIPTION
FIG. 1 is a front, right side perspective view of a brush for body cleansing apparatus showing our new design;
FIG. 2 is a bottom perspective view thereof;
FIG. 3 is a front view thereof;
FIG. 4 is a rear view thereof;
FIG. 5 is a left side view thereof;
FIG. 6 is a right side view thereof;
FIG. 7 is a top view thereof;
FIG. 8 is a bottom view thereof; and,
FIG. 9 is a perspective view thereof, and shown in an environment.
In FIG. 9, the broken lines are for the purpose of illustrating environment only that form no part of the claimed design.

1 Claim, 5 Drawing Sheets



(56)

References Cited

U.S. PATENT DOCUMENTS

2016/0137345 A1* 5/2016 Grodsky A61C 1/082
206/505

* cited by examiner

FIG. 1

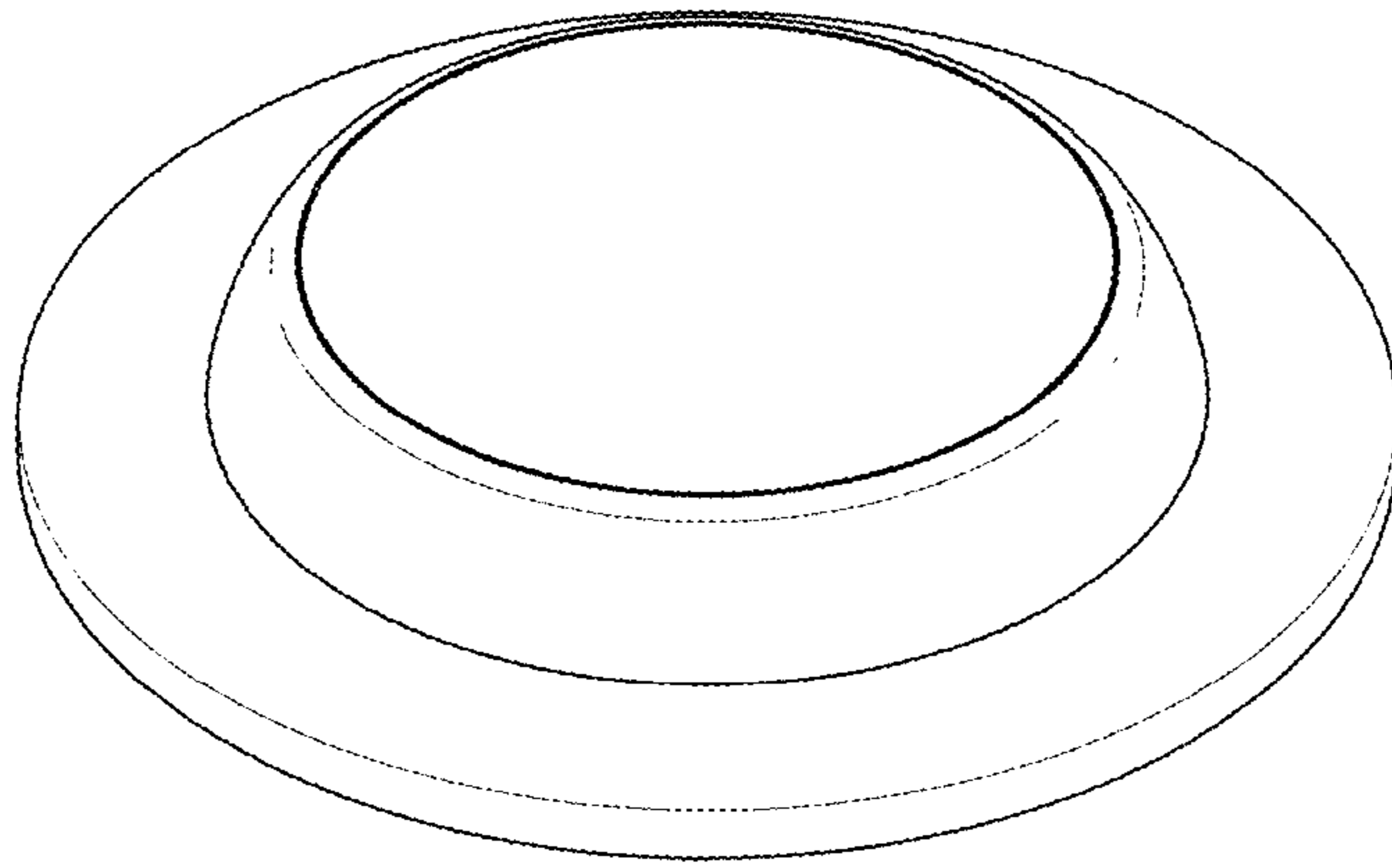


FIG. 2

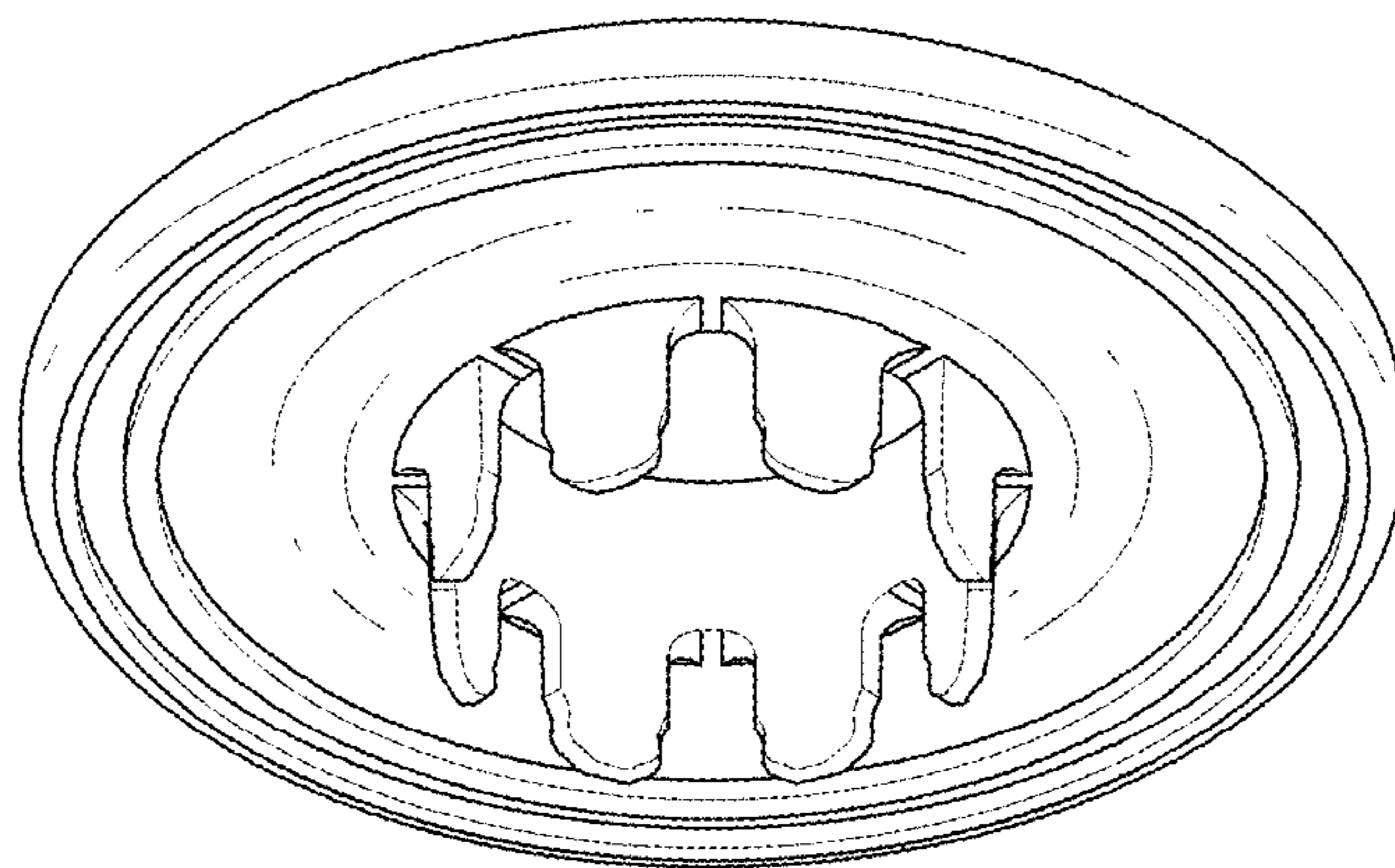


FIG. 3

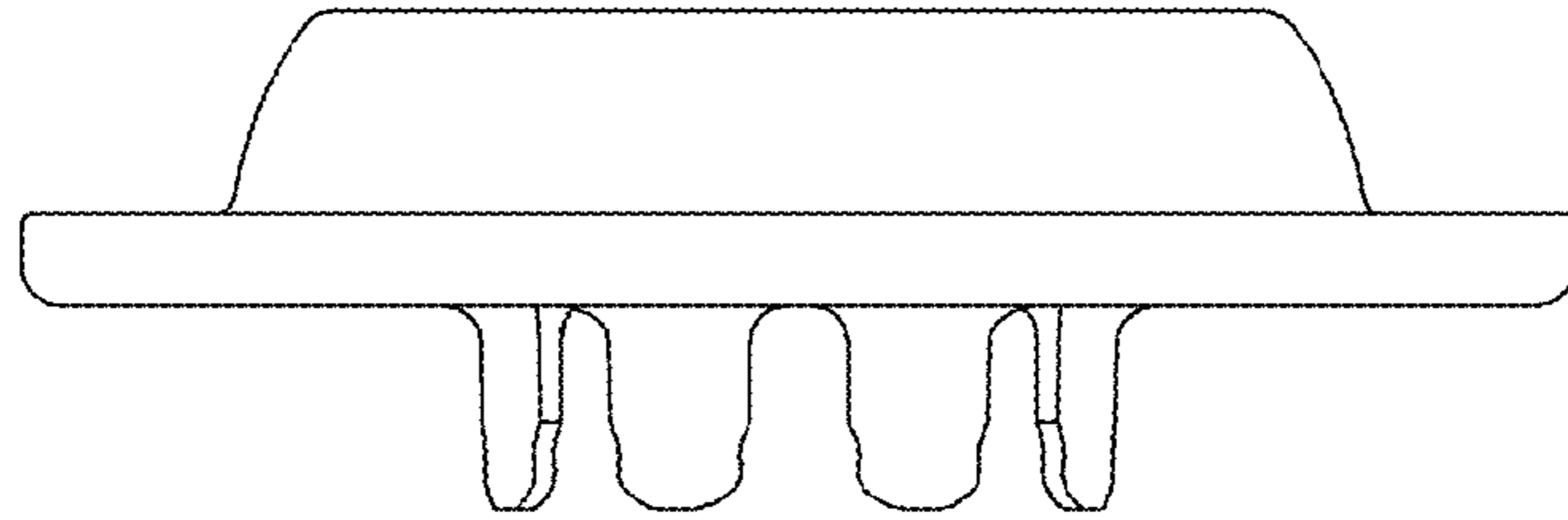


FIG. 4

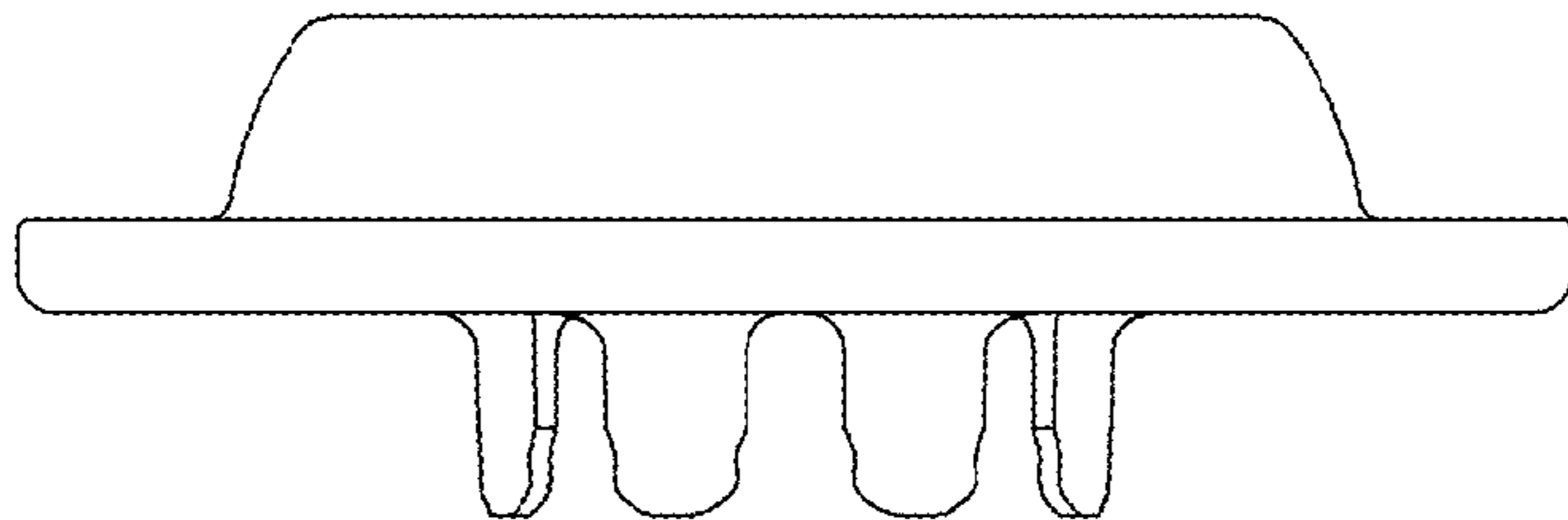


FIG. 5

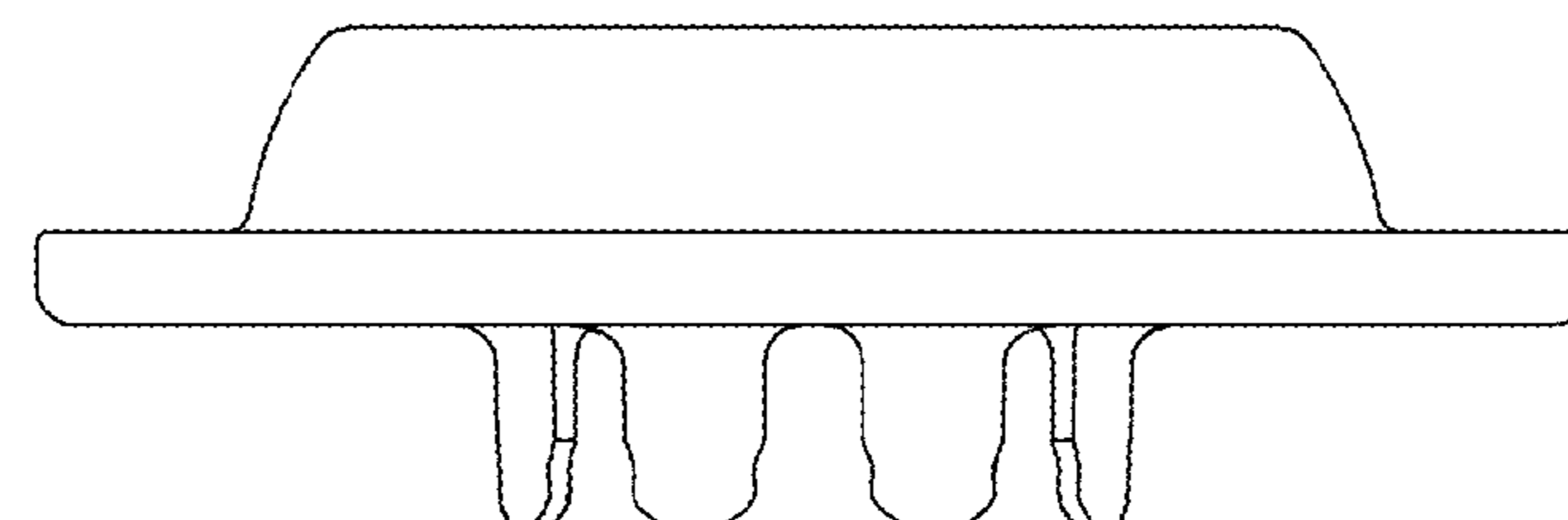


FIG. 6

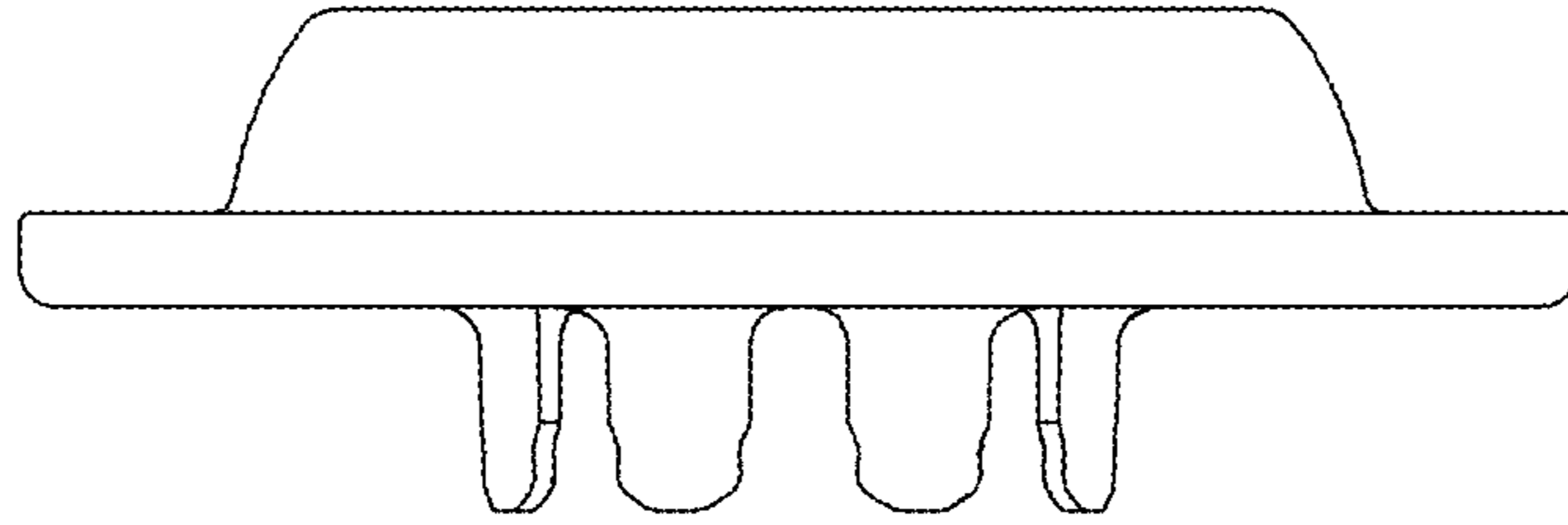


FIG. 7

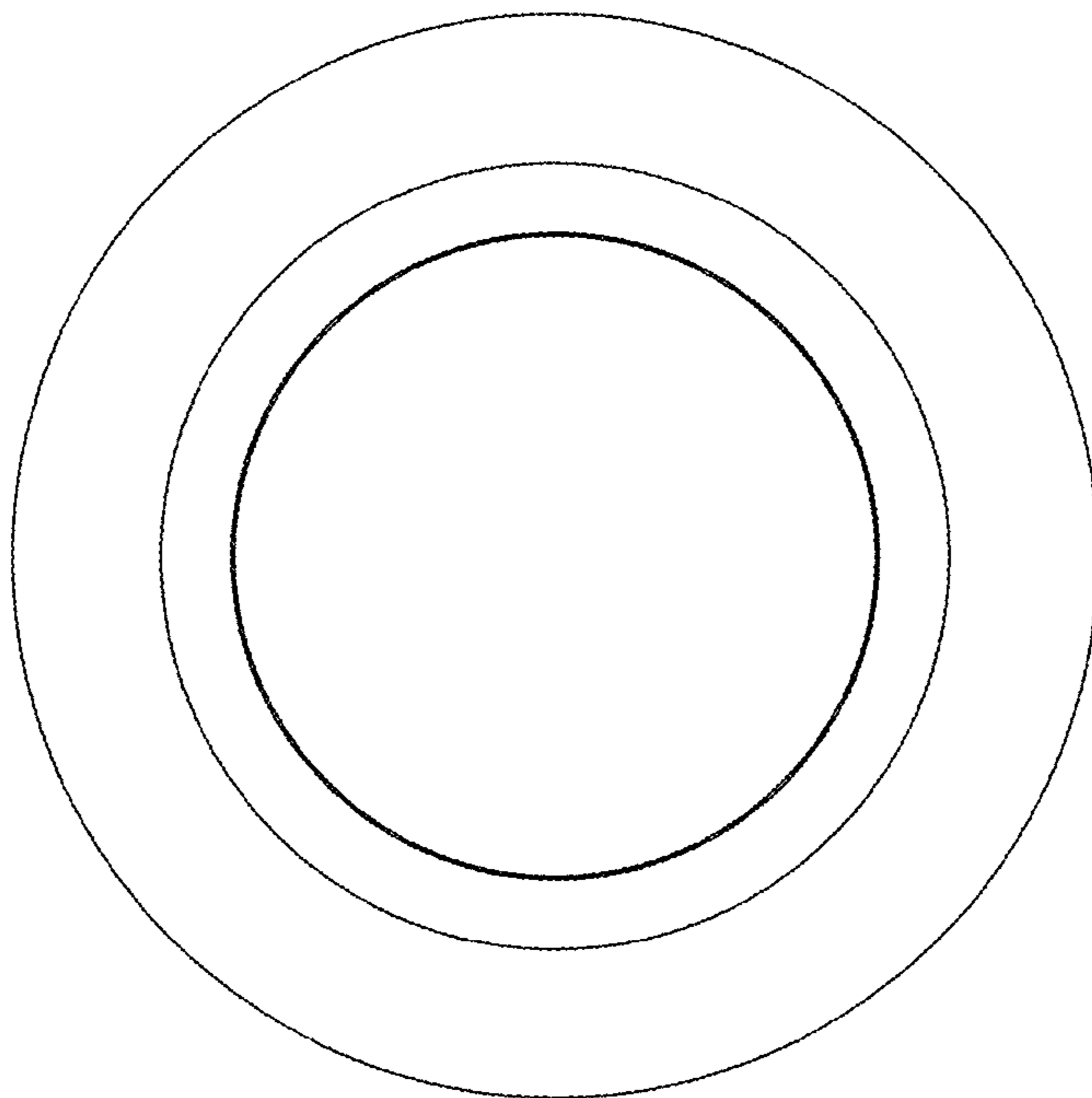


FIG. 8

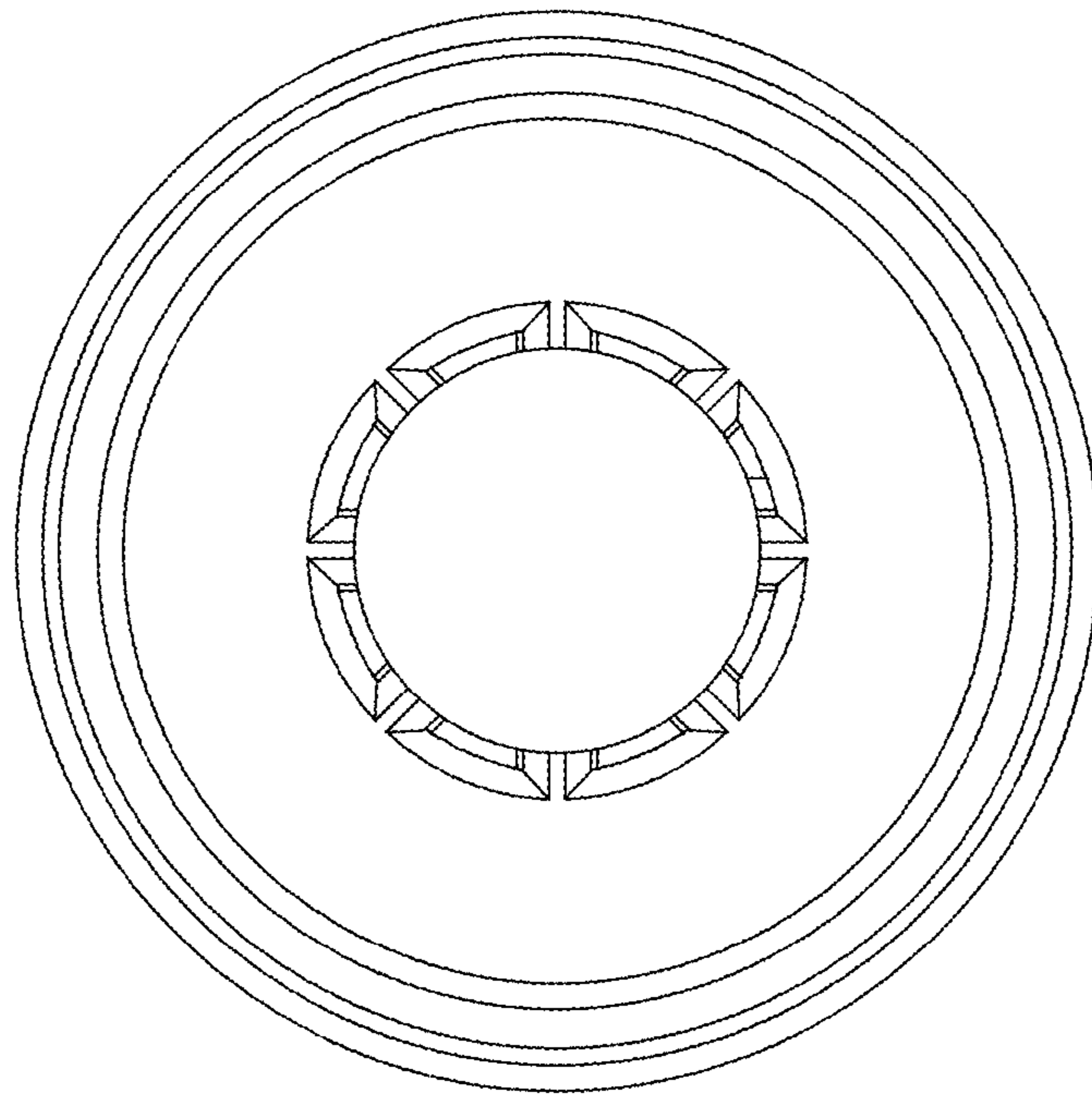


FIG. 9

