



US00D959150S

(12) **United States Design Patent** (10) **Patent No.:** **US D959,150 S**  
**Szymanski et al.** (45) **Date of Patent:** **\*\* Aug. 2, 2022**

(54) **COMBINATION SKINCARE CLEANSING BRUSH AND CRADLE**

(71) Applicant: **Church & Dwight Co., Inc.**, Princeton, NJ (US)

(72) Inventors: **Aaron Szymanski**, Thomaston, CT (US); **Eric Langberg**, Milford, PA (US); **Hayley Matarazzo**, Morristown, NJ (US)

(73) Assignee: **Church & Dwight Co., Inc.**, Princeton, NJ (US)

(\*\*) Term: **15 Years**

(21) Appl. No.: **29/726,644**

(22) Filed: **Mar. 4, 2020**

(51) **LOC (13) Cl.** ..... **28-03**

(52) **U.S. Cl.**  
 USPC ..... **D4/102; D4/116; D4/127**

(58) **Field of Classification Search**  
 USPC ..... D4/100, 102, 121, 127, 128, 129, 130, D4/132, 133, 134, 135, 136, 137, 138, D4/199; D28/13, 24, 28, 25  
 CPC .. A46B 5/02; A46B 9/005; A46B 9/02; A46B 9/023; A46B 9/06; A46B 15/0022; A46B 15/0024; A46B 15/003; A46B 5/0059; A46B 15/0075; A46B 2200/1093; A46B 2200/104; A45D 2/001; A45D 2/002; A45D 7/02; A45D 20/48  
 See application file for complete search history.

4,335,481 A	6/1982	Slayman	
4,417,826 A	11/1983	Floros	
5,033,897 A	7/1991	Chen	
5,647,841 A	7/1997	Groenewold et al.	
5,697,115 A	12/1997	Sciarra et al.	
5,881,418 A	3/1999	Enoch	
6,170,108 B1	1/2001	Knight	
6,513,534 B1	2/2003	Sofer et al.	
D493,621 S	8/2004	Wilson et al.	
7,325,311 B2	2/2008	Shimizu	
7,941,887 B2	5/2011	Tsai	
8,439,588 B2	5/2013	Houman	
8,511,927 B2	8/2013	Houman	
8,590,162 B2	11/2013	Park et al.	
8,985,886 B1	3/2015	Derrick	
9,138,257 B2	9/2015	Revivo	
9,370,282 B1	6/2016	Petersen et al.	
9,421,146 B2	8/2016	Muraki et al.	
9,433,281 B1	9/2016	Barras	
9,643,195 B2	5/2017	Streetmaker	
9,889,282 B2	2/2018	Ungemach et al.	
D816,343 S *	5/2018	Tai	D4/100
D816,345 S *	5/2018	Tai	D4/100
D818,272 S *	5/2018	Tai	D4/100
10,058,168 B2	8/2018	Hendler et al.	
10,349,731 B2	7/2019	Sueyoshi et al.	
D893,101 S *	8/2020	Szymanski	D28/45
D893,803 S *	8/2020	Szymanski	D28/45
D905,965 S *	12/2020	Xie	D4/100
D909,762 S *	2/2021	He	D4/127
2004/0265043 A1	12/2004	Palme	
2006/0285910 A1	12/2006	Khubani	
2010/0049177 A1	2/2010	Boone, III et al.	
2013/0060176 A1	3/2013	Nichols	
2014/0196229 A1	7/2014	Shen	
2014/0330289 A1	11/2014	Revivo	
2015/0158192 A1	6/2015	Tucker et al.	
2015/0173842 A1	6/2015	Carlucci	
2016/0287034 A1	10/2016	Woodard et al.	
2019/0008332 A1	1/2019	Johnstone et al.	
2019/0176355 A1	6/2019	Mazarakis et al.	
2019/0191862 A1	6/2019	Clos	

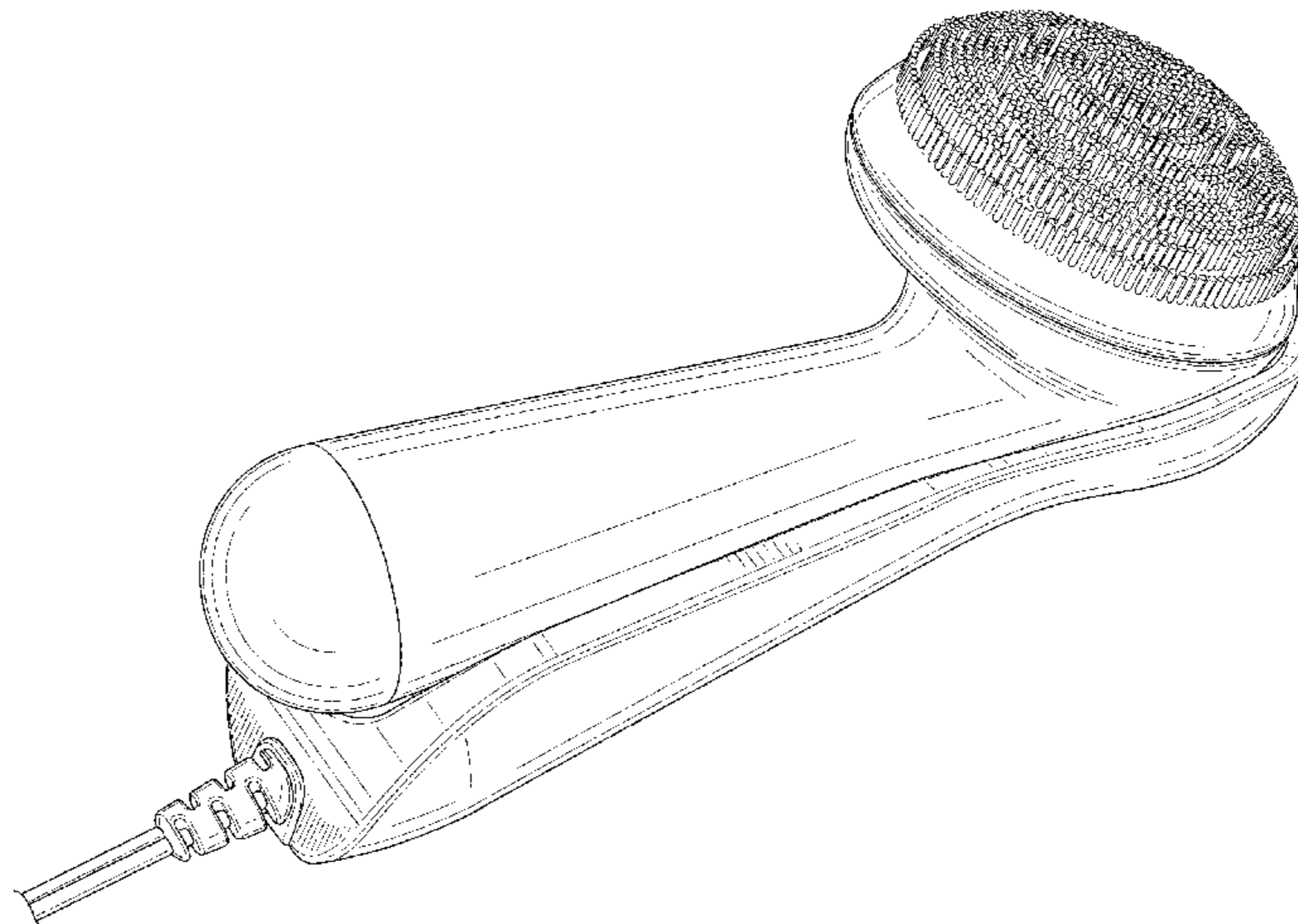
(56) **References Cited**

U.S. PATENT DOCUMENTS

1,191,860 A	7/1916	Wesley	
1,604,500 A	10/1926	Tannenbaum	
2,678,457 A	5/1954	Demo et al.	
2,682,675 A	7/1954	Prucha	
3,554,485 A	1/1971	Richards	
3,864,780 A	2/1975	Watkins	
D237,319 S *	10/1975	Sakai	D28/50
4,183,684 A	1/1980	Avery, Jr.	

FOREIGN PATENT DOCUMENTS

CN	101507681	8/2009
CN	303545103	1/2016
CN	205073256	3/2016
CN	303721636	6/2016
CN	303846636	9/2016
CN	205625074	10/2016
CN	303897553	10/2016
CN	303908346	11/2016





CN	303990689	12/2016
CN	303828967	8/2017
CN	304247039	8/2017
CN	304258762	8/2017
CN	304258763	8/2017
CN	304323638	10/2017
CN	107411619	12/2017
CN	108078464	5/2018
CN	304823060	9/2018
CN	208193047	12/2018
CN	304994676	1/2019
CN	109528049	3/2019
CN	208785223	4/2019
CN	305150423	5/2019
CN	208941946	6/2019
CN	109953678	* 7/2019
CN	209074395	7/2019
CN	305241949	* 7/2019
CN	305363641	9/2019
CN	305423248	11/2019
CN	305436475	11/2019
CN	209933431	1/2020
CN	209966978	1/2020
CN	305556091	* 1/2020
CN	305692470	* 4/2020
CN	306287319	* 1/2021
CN	306435079	* 4/2021
EM	006598652-0001	* 7/2019
EP	2 941 163	7/2016
EP	3 334 310	6/2018
EP	3525745	8/2019
JP	2012/045088	3/2012
JP	6224377	11/2017
JP	6379334	8/2018
KR	101663212	10/2016
WO	WO 2017/114919	7/2017
WO	WO 2019/018104	1/2019

OTHER PUBLICATIONS

Finishing Touch Flawless Cleanse Facial Cleanser and Massager [on-line], [Published Aug. 7, 2021.] [Retrieved from the Internet Sep. 14, 2021.] URL: ><https://www.youtube.com/watch?v=K8WKjKumjcc>< (Year: 2021).\*

Spin Spa by Idea Village [on-line]. Available on the Internet at least as early as Feb. 10, 2014; retrieved from the Internet. <https://web.archive.org/web/20140210014816/https://www.ideavillage.com/Idea-Village-Products.dtm> 2014.

\* cited by examiner

Primary Examiner — Karen E Eldridge Powers  
(74) Attorney, Agent, or Firm — Womble Bond Dickinson (US) LLP

(57) CLAIM

The ornamental design for a combination skincare cleansing brush and cradle, as shown and described.

DESCRIPTION

FIG. 1 is a front, bottom, and side perspective view of a first embodiment of a combination skincare cleansing brush and cradle, of the present invention showing our new design;  
FIG. 2 is a bottom plan view thereof;  
FIG. 3 is a top plan view thereof;  
FIG. 4 is a side elevation view thereof;  
FIG. 5 is a front elevation view thereof;  
FIG. 6 is a rear elevation view thereof;

FIG. 7 is a front and top perspective view, which is angled relative to FIG. 5, to better show the brush head portion of the combination skincare cleansing brush and cradle of FIG. 1;

FIG. 8 is a front, bottom, and side perspective view of a second embodiment of a combination skincare cleansing brush and cradle, of the present invention showing our new design;

FIG. 9 is a bottom plan view thereof;

FIG. 10 is a top plan view thereof;

FIG. 11 is a side elevation view thereof;

FIG. 12 is a front elevation view thereof;

FIG. 13 is a rear elevation view thereof;

FIG. 14 is a front and top perspective view, which is angled relative to FIG. 12, to better show the brush head portion of the combination skincare cleansing brush and cradle of FIG. 8;

FIG. 15 is a front, bottom, and side perspective views of a third embodiment of a combination skincare cleansing brush and cradle, of the present invention showing our new design;

FIG. 16 is a bottom plan view thereof;

FIG. 17 is a top plan view thereof;

FIG. 18 is a side elevation view thereof;

FIG. 19 is a front elevation view thereof;

FIG. 20 is a rear elevation view thereof;

FIG. 21 is a front and top perspective view, which is angled relative to FIG. 19, to better show the brush head portion of the combination skincare cleansing brush and cradle of FIG. 15;

FIG. 22 is a front, bottom, and side perspective views of a fourth embodiment of a combination skincare cleansing brush and cradle, of the present invention showing our new design;

FIG. 23 is a bottom plan view thereof;

FIG. 24 is a top plan view thereof;

FIG. 25 is a side elevation view thereof;

FIG. 26 is a front elevation view thereof;

FIG. 27 is a rear elevation view thereof;

FIG. 28 is a front and top perspective view, which is angled relative to FIG. 26, to better show the brush head portion of the combination skincare cleansing brush and cradle of FIG. 22;

FIG. 29 is a front, bottom, and side perspective view of a fifth embodiment of a skincare cleansing brush and cradle of the present invention showing our new design;

FIG. 30 is a bottom plan view thereof;

FIG. 31 is a top plan view thereof;

FIG. 32 is a side elevation view thereof;

FIG. 33 is a front elevation view thereof;

FIG. 34 is a rear elevation view thereof;

FIG. 35 is a front and top perspective view, which is angled relative to FIG. 33, to better show the brush head portion of the combination skincare cleansing brush and cradle of FIG. 29;

FIG. 36 is a front, bottom, and side perspective views of a sixth embodiment of a combination skincare cleansing brush and cradle, of the present invention showing our new design;

FIG. 37 is a bottom plan view thereof;

FIG. 38 is a top plan view thereof;

FIG. 39 is a side elevation view thereof;

FIG. 40 is a front elevation view thereof;

FIG. 41 is a rear elevation view thereof; and,

FIG. 42 is a front and top perspective view, which is angled relative to FIG. 40, to better show the brush head portion of the combination skincare cleansing brush and cradle of FIG. 36.

The broken lines illustrate portions of the combination skincare cleansing brush and cradle that form no part of the claimed design.

**1 Claim, 42 Drawing Sheets**



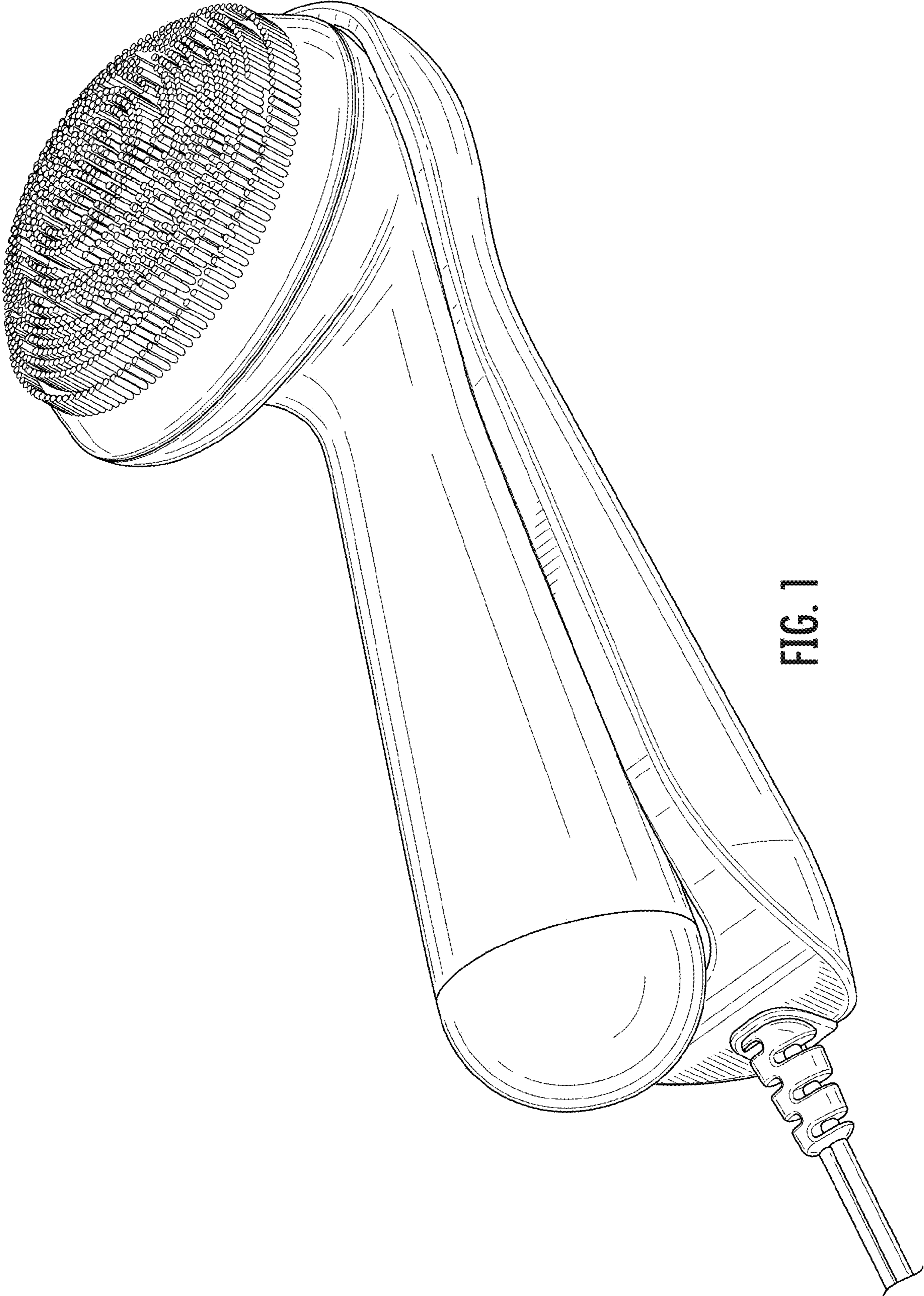


FIG. 1

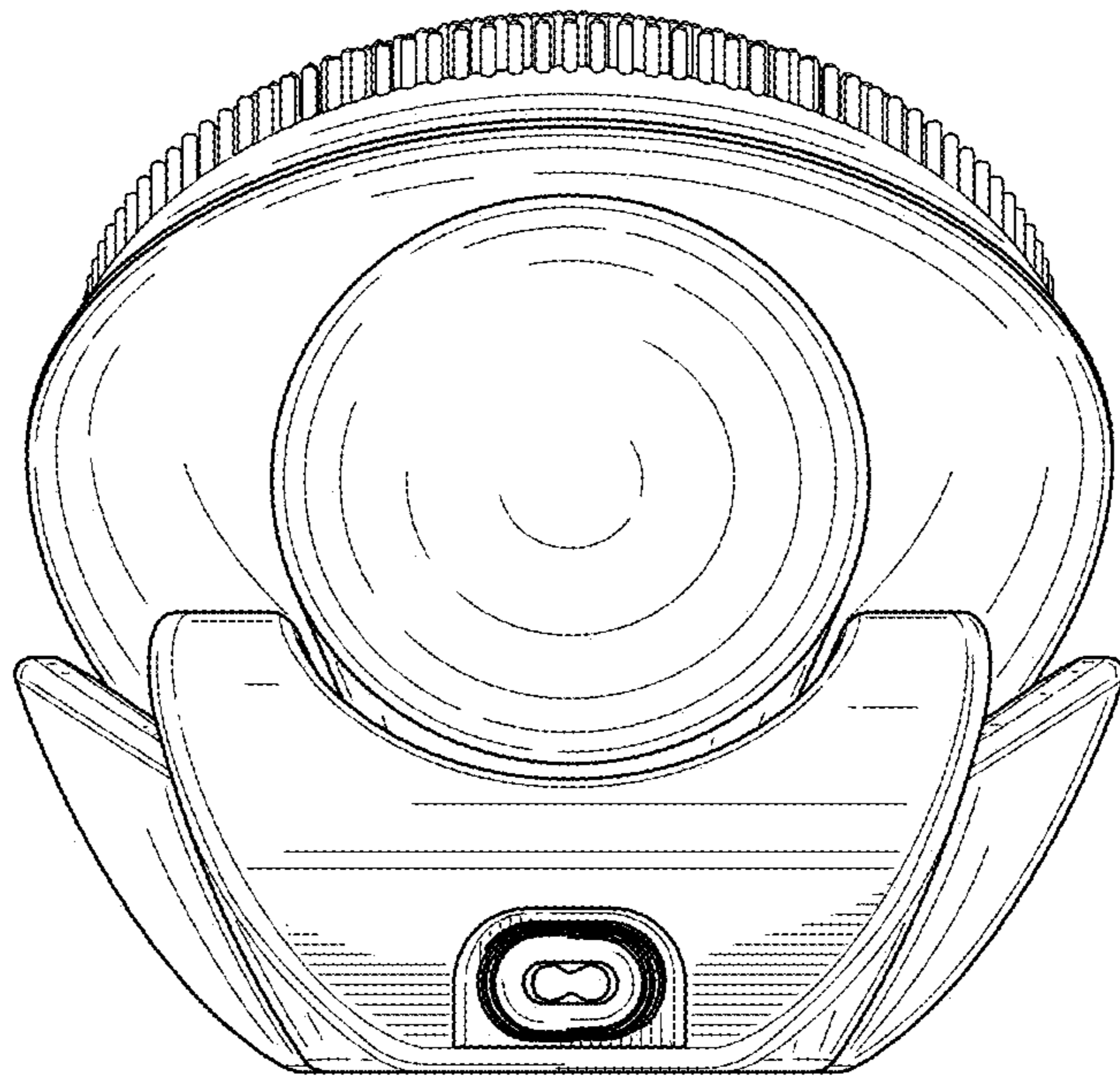


FIG. 2

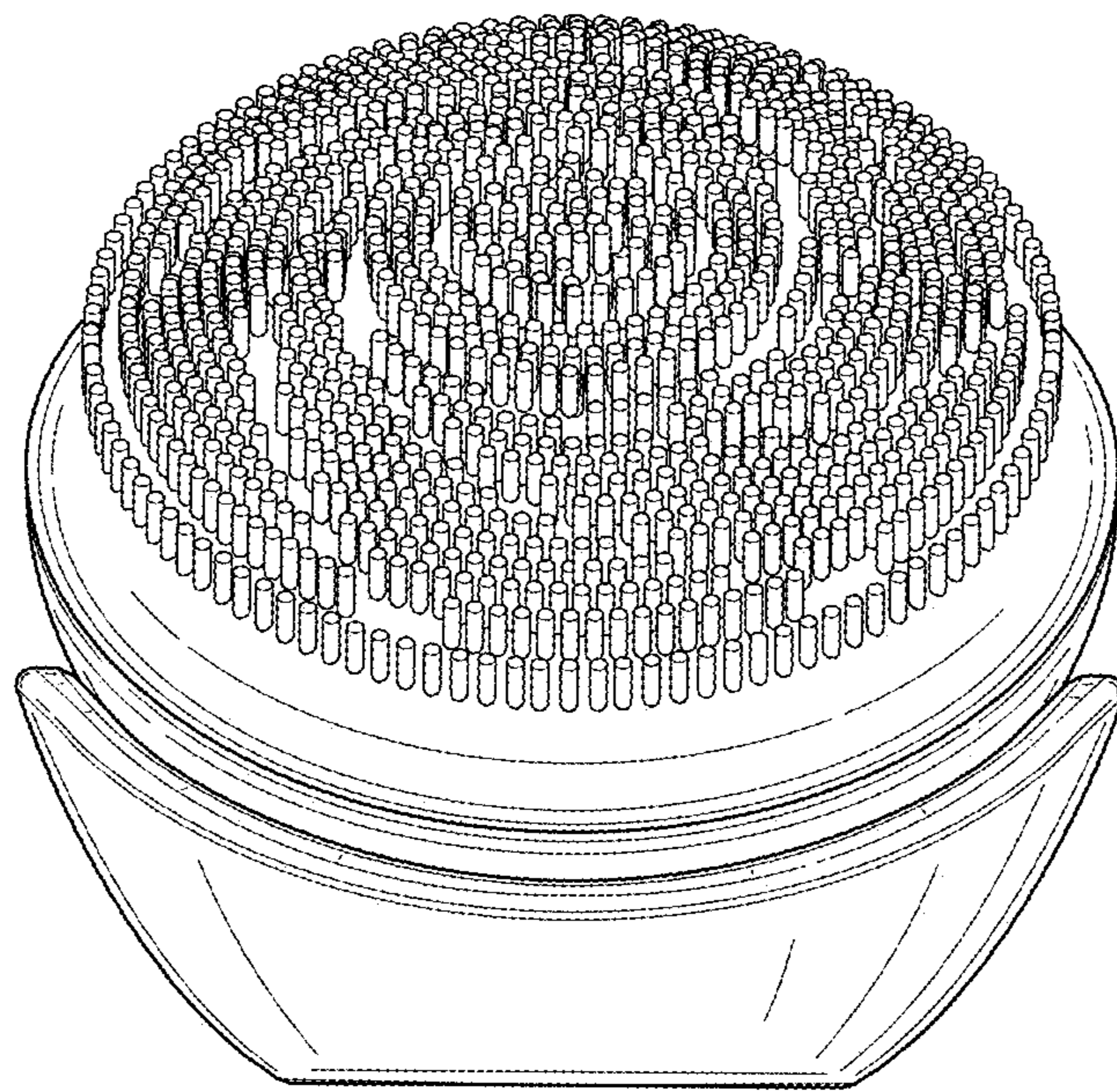


FIG. 3



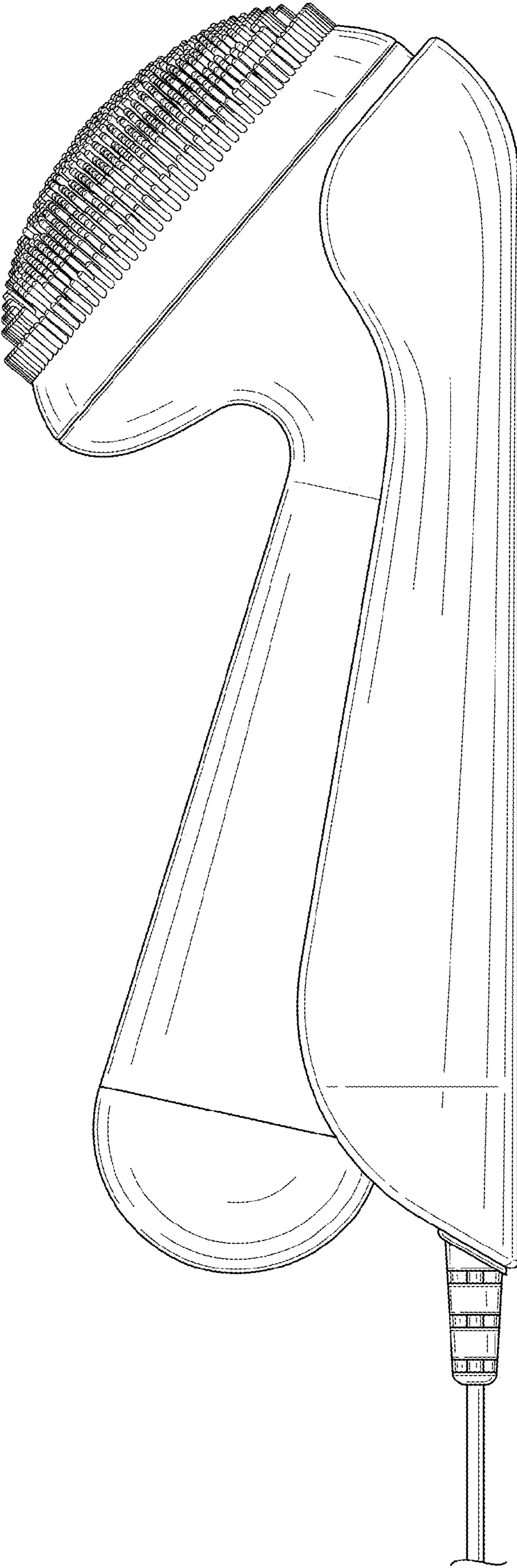


FIG. 4

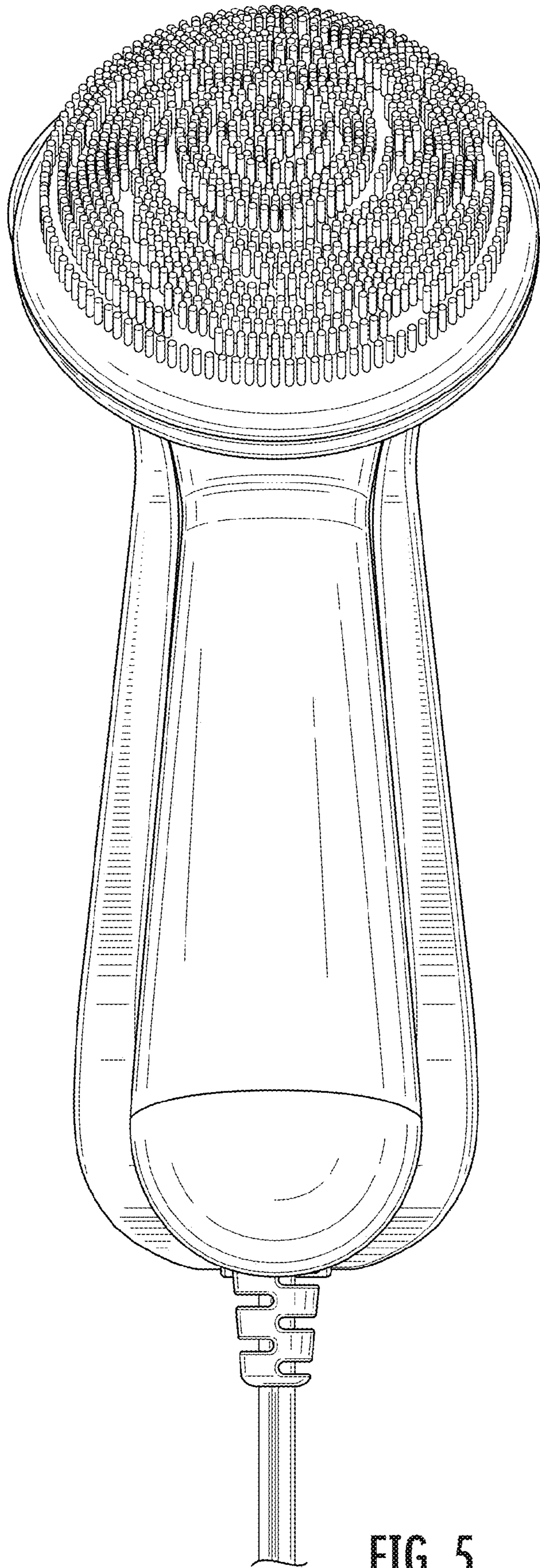


FIG. 5



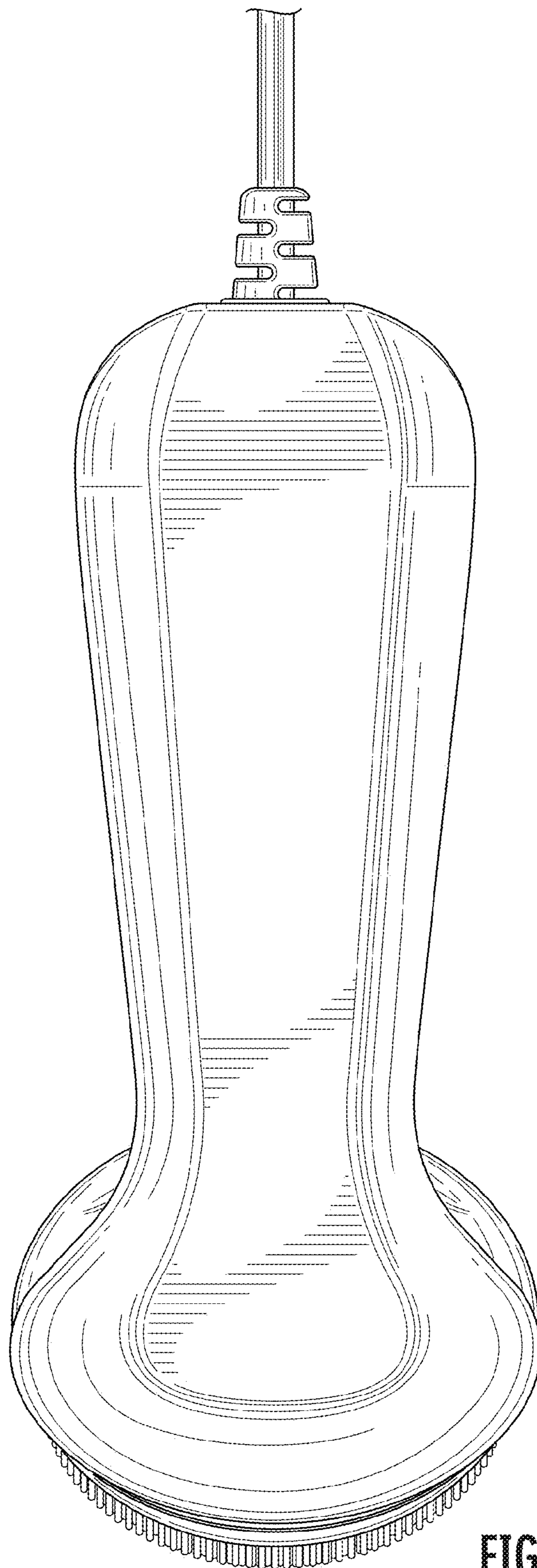


FIG. 6

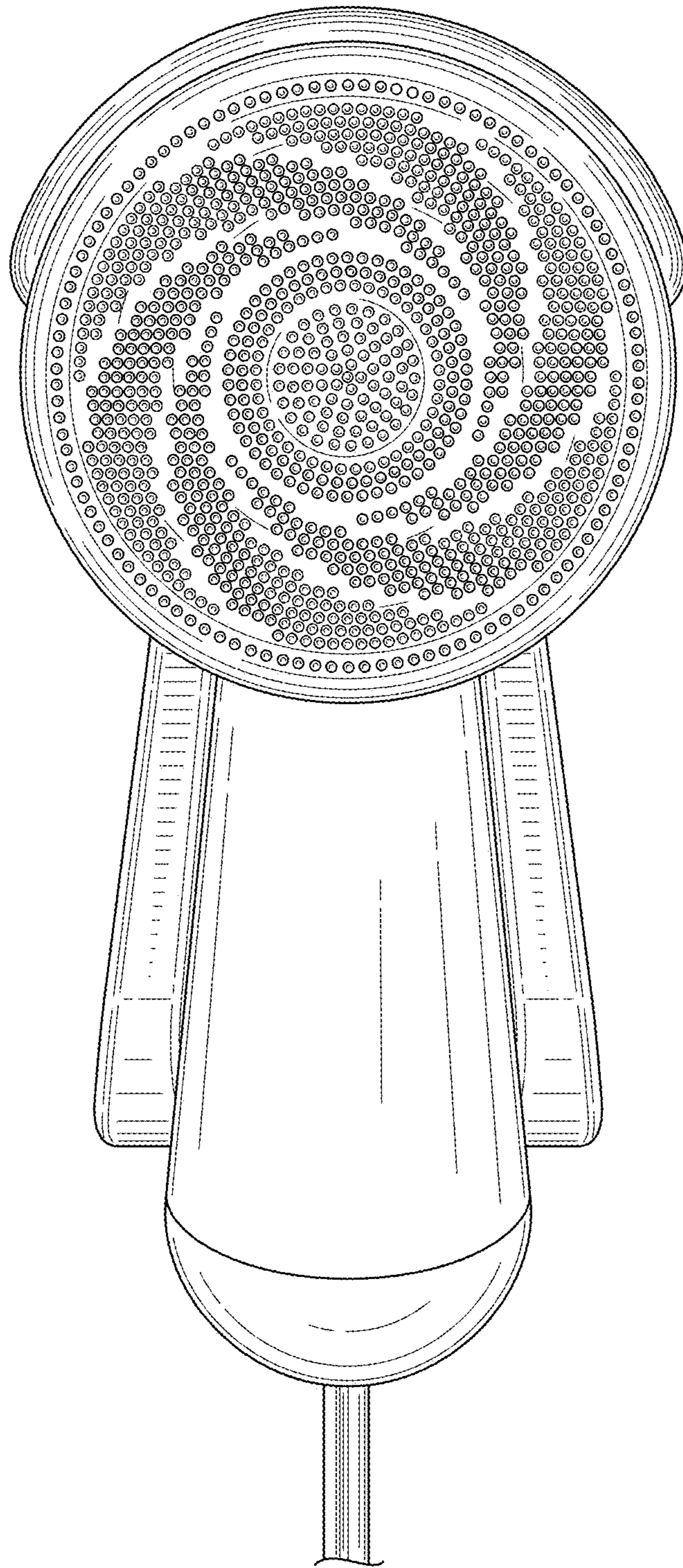


FIG. 7



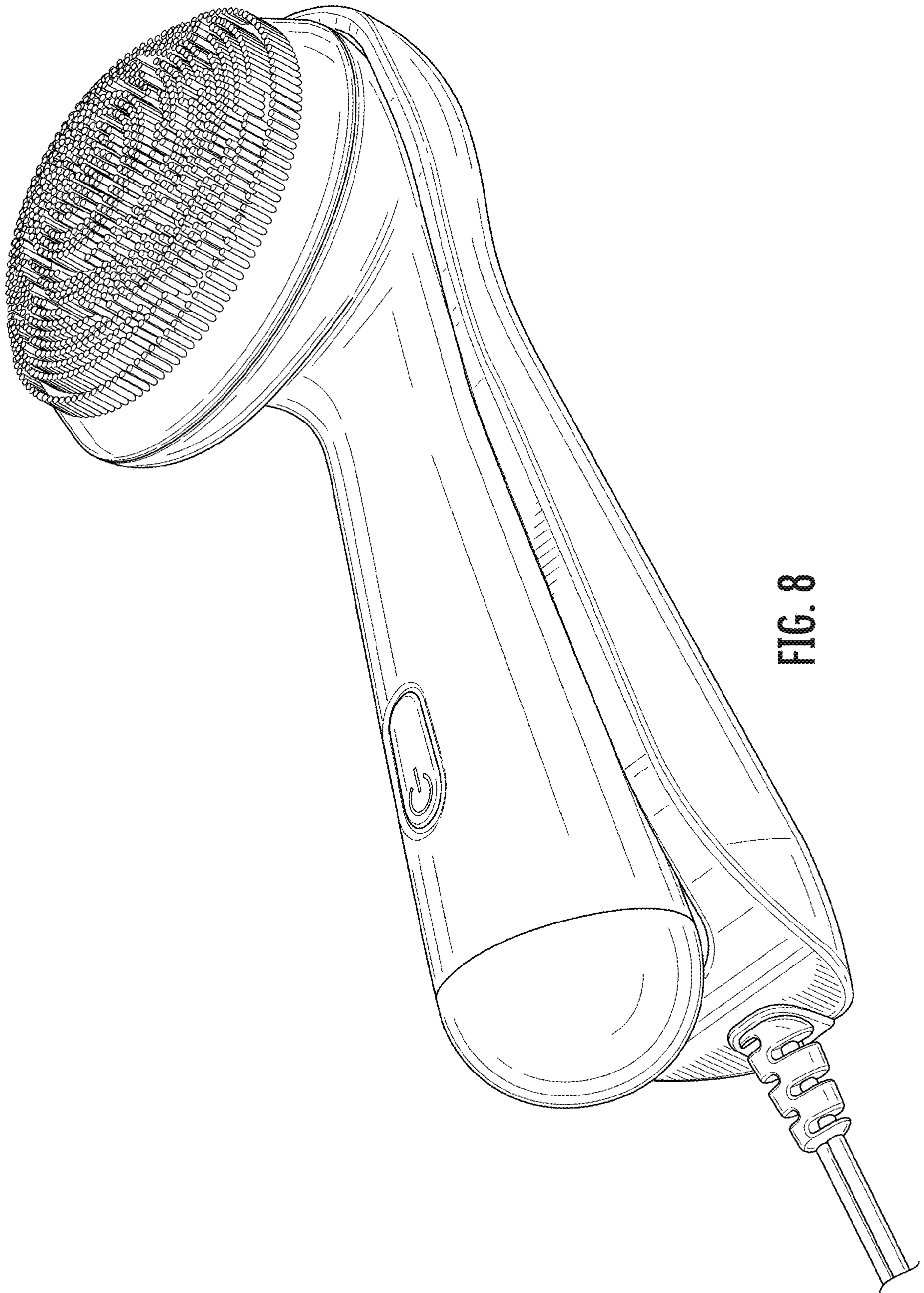


FIG. 8



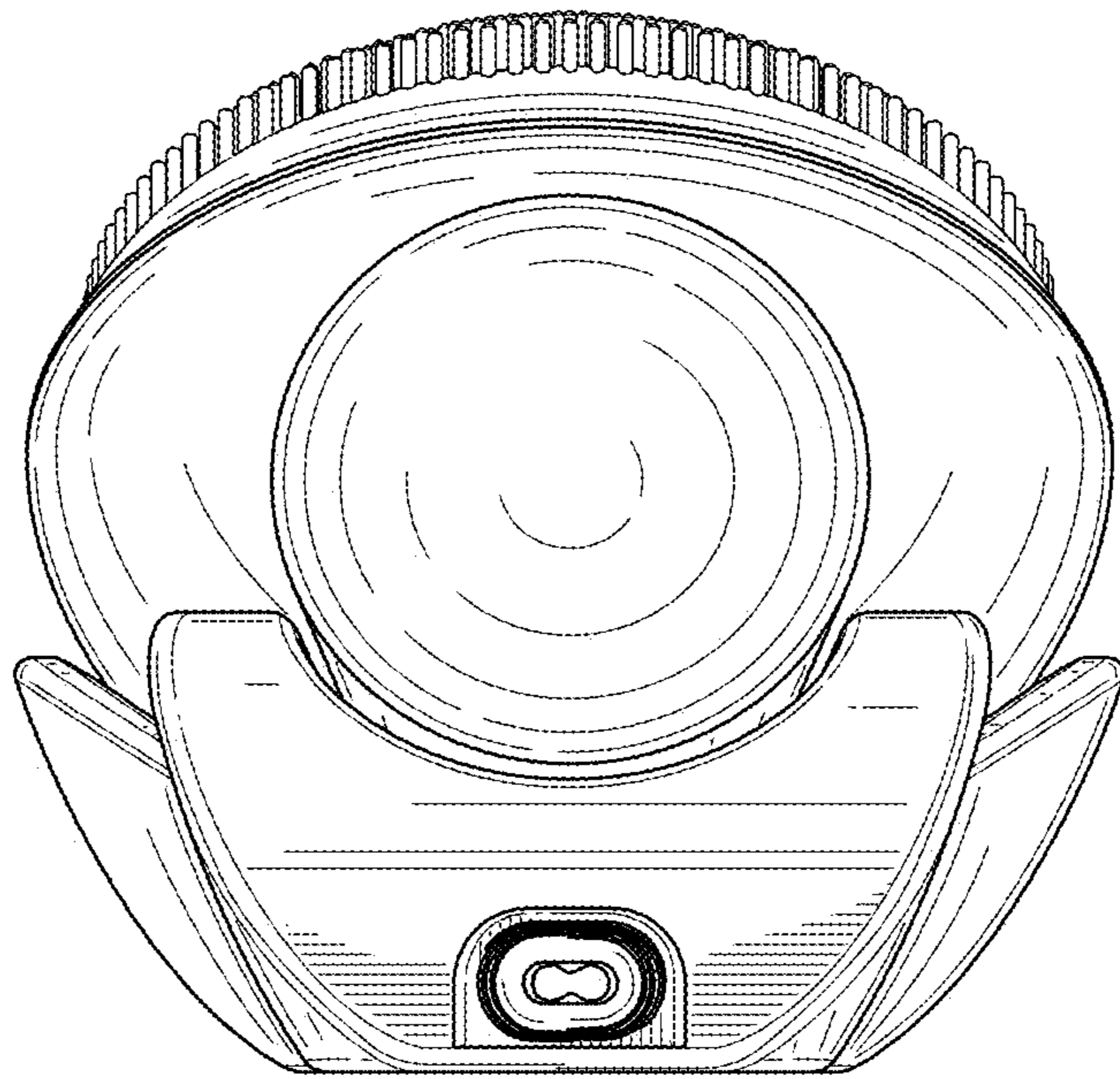


FIG. 9

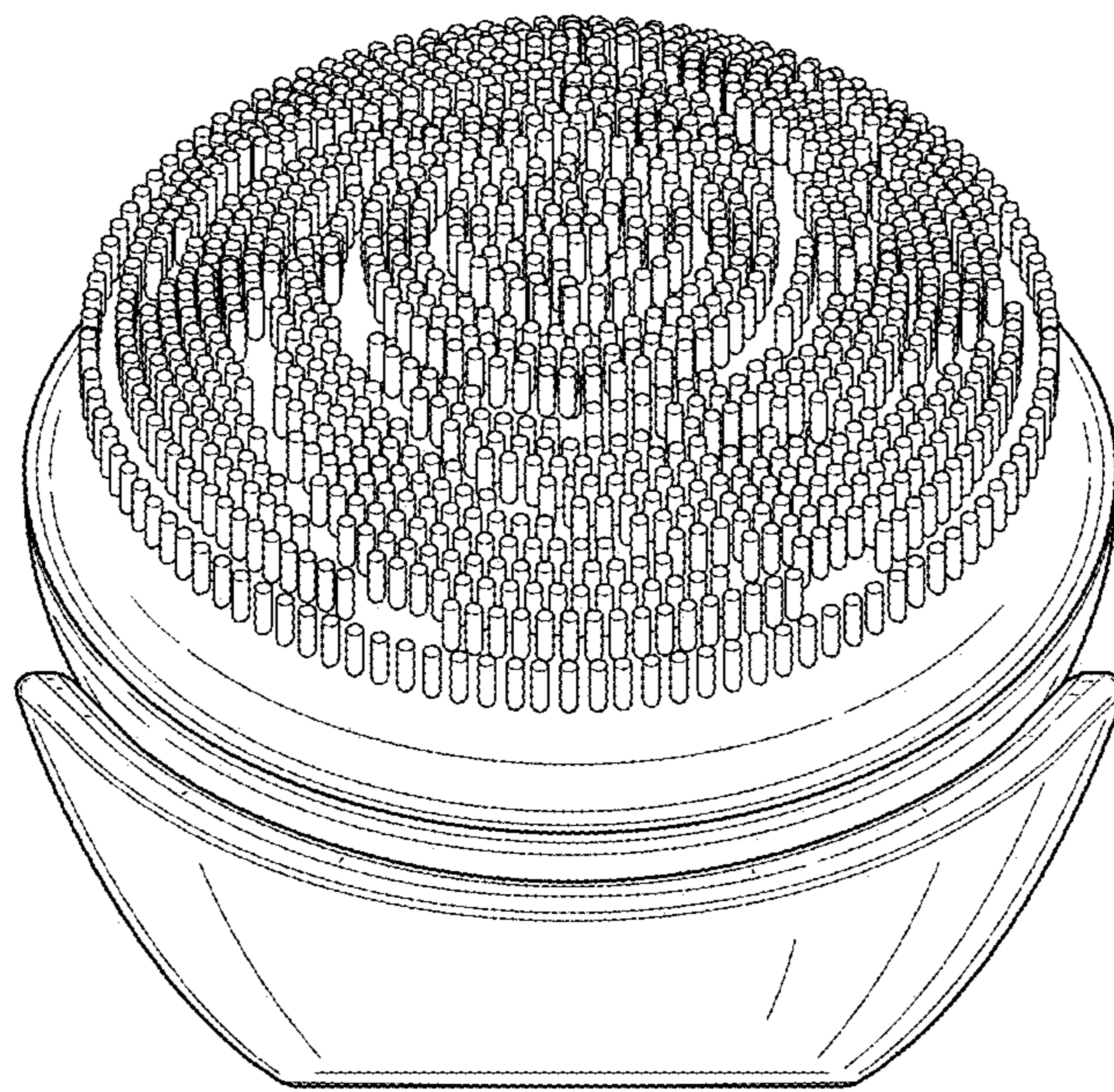


FIG. 10

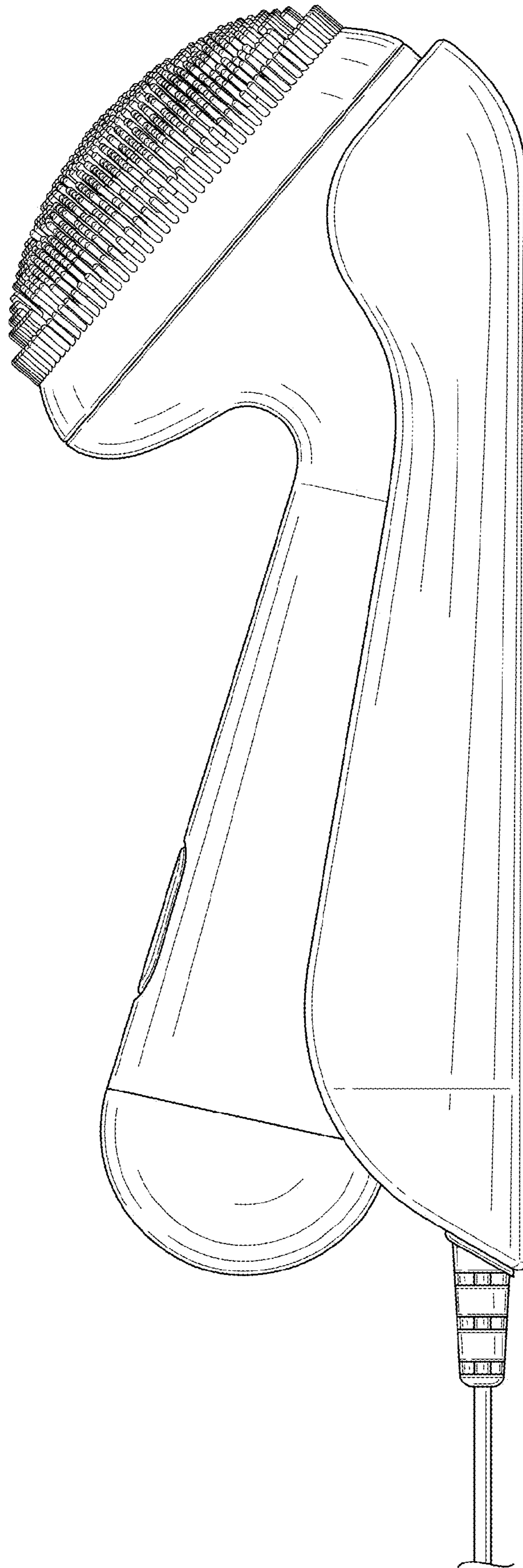


FIG. 11



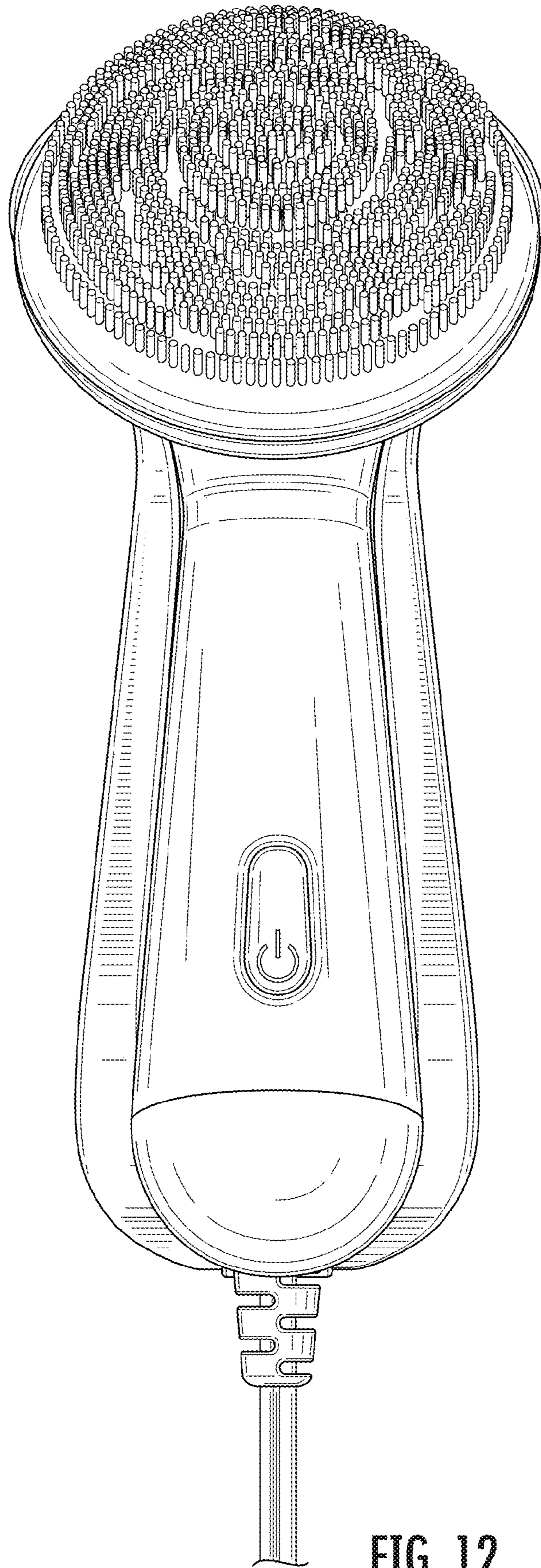


FIG. 12

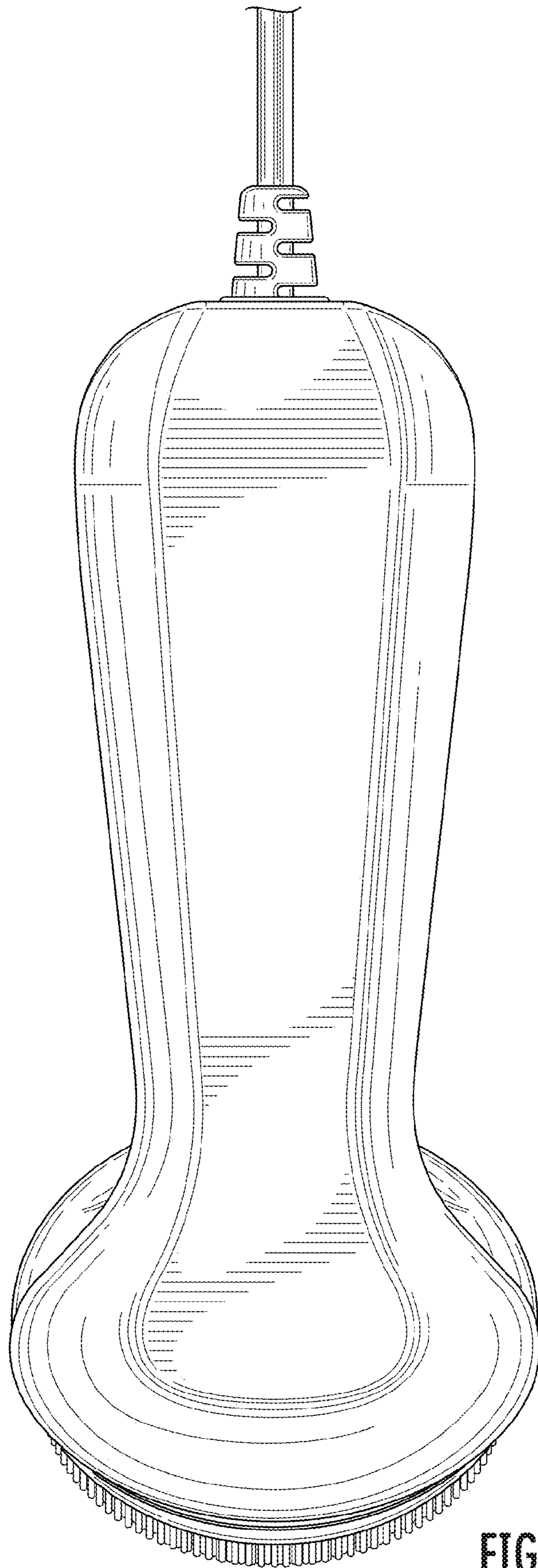


FIG. 13



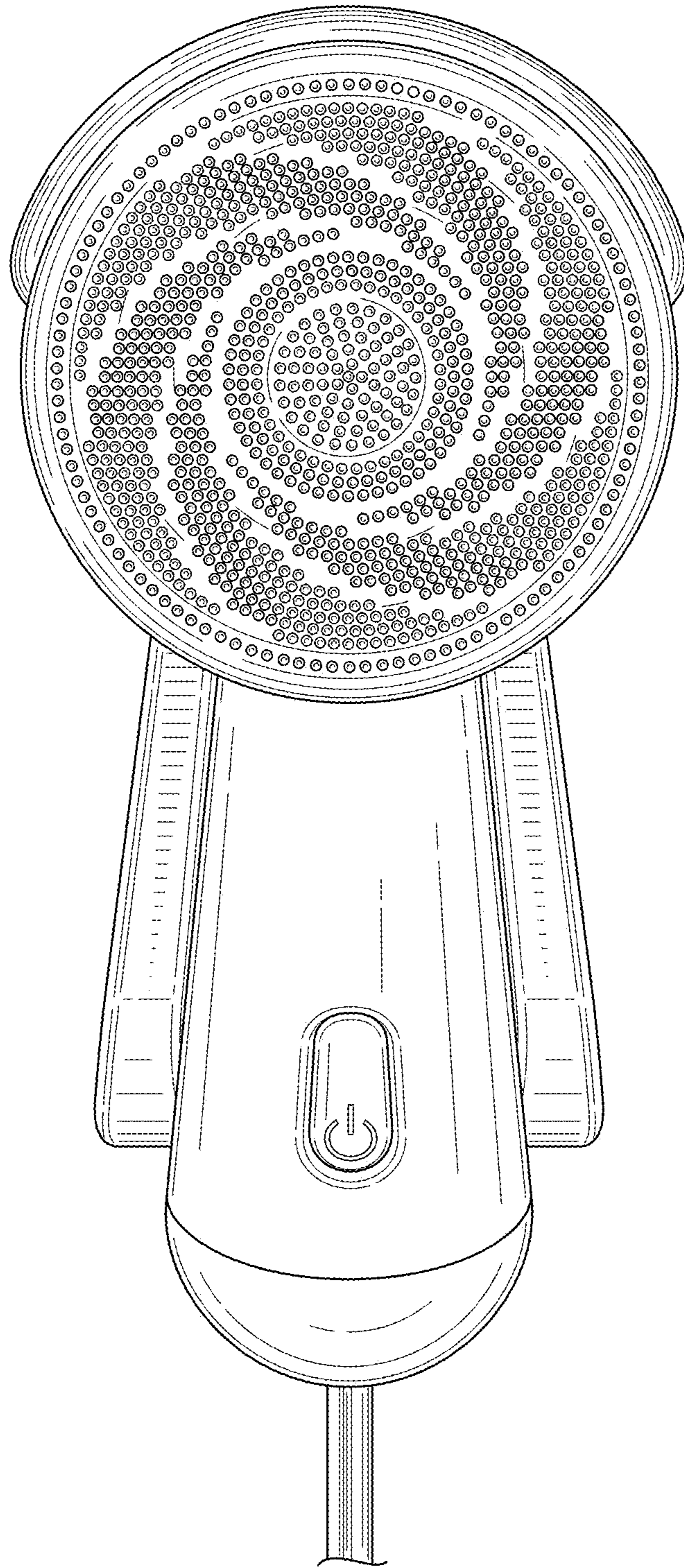


FIG. 14



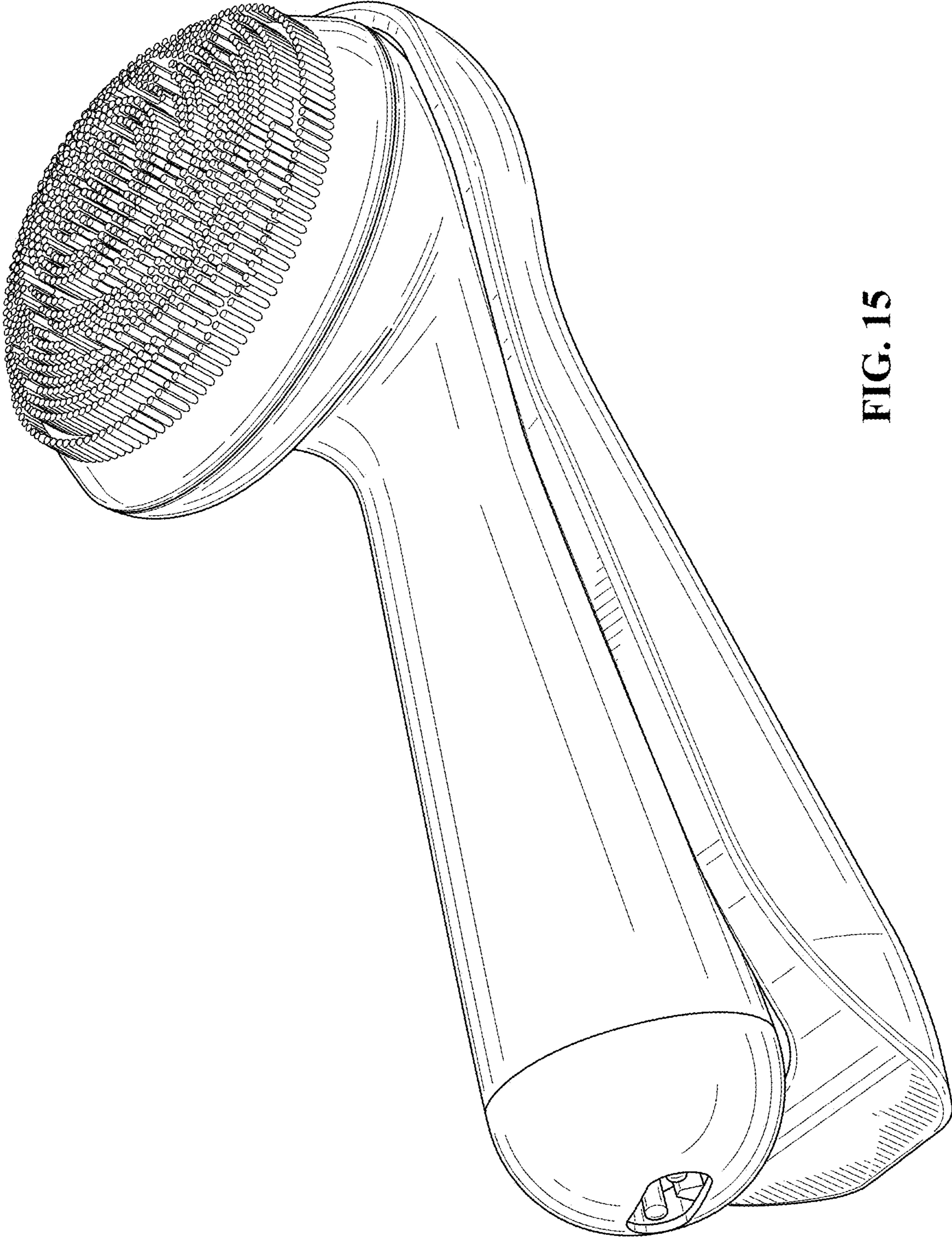
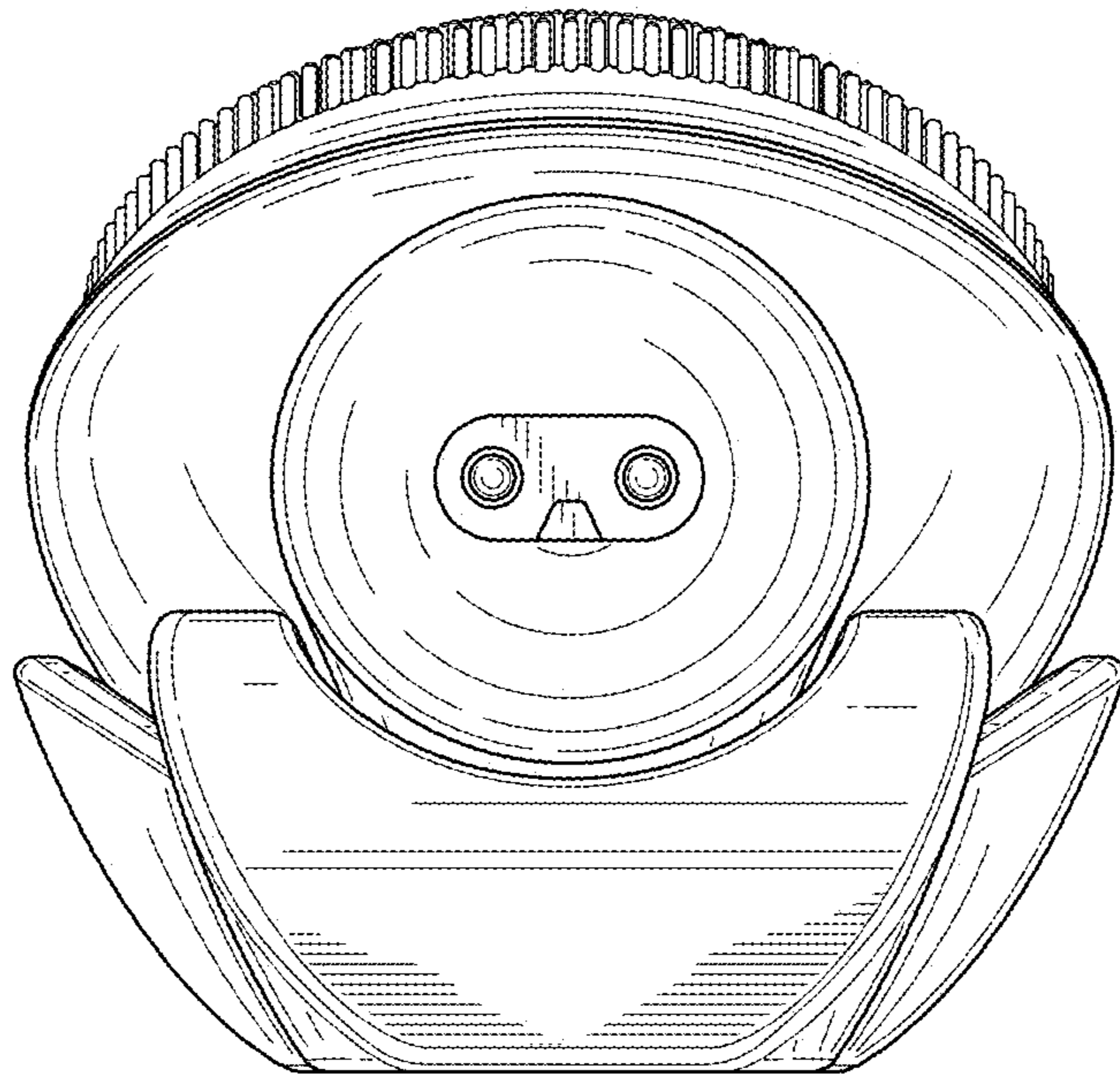
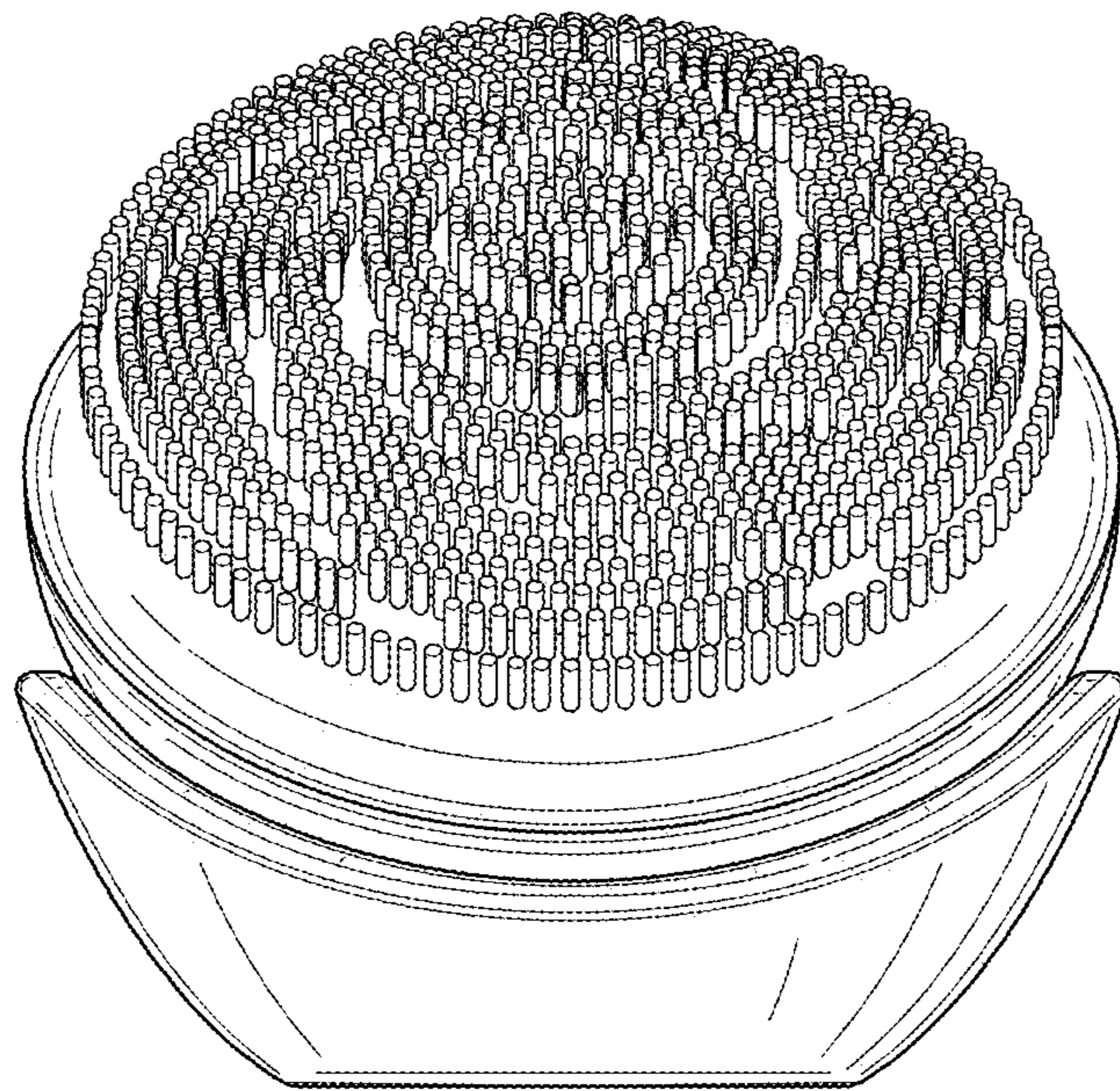


FIG. 15



**FIG. 16**



**FIG. 17**



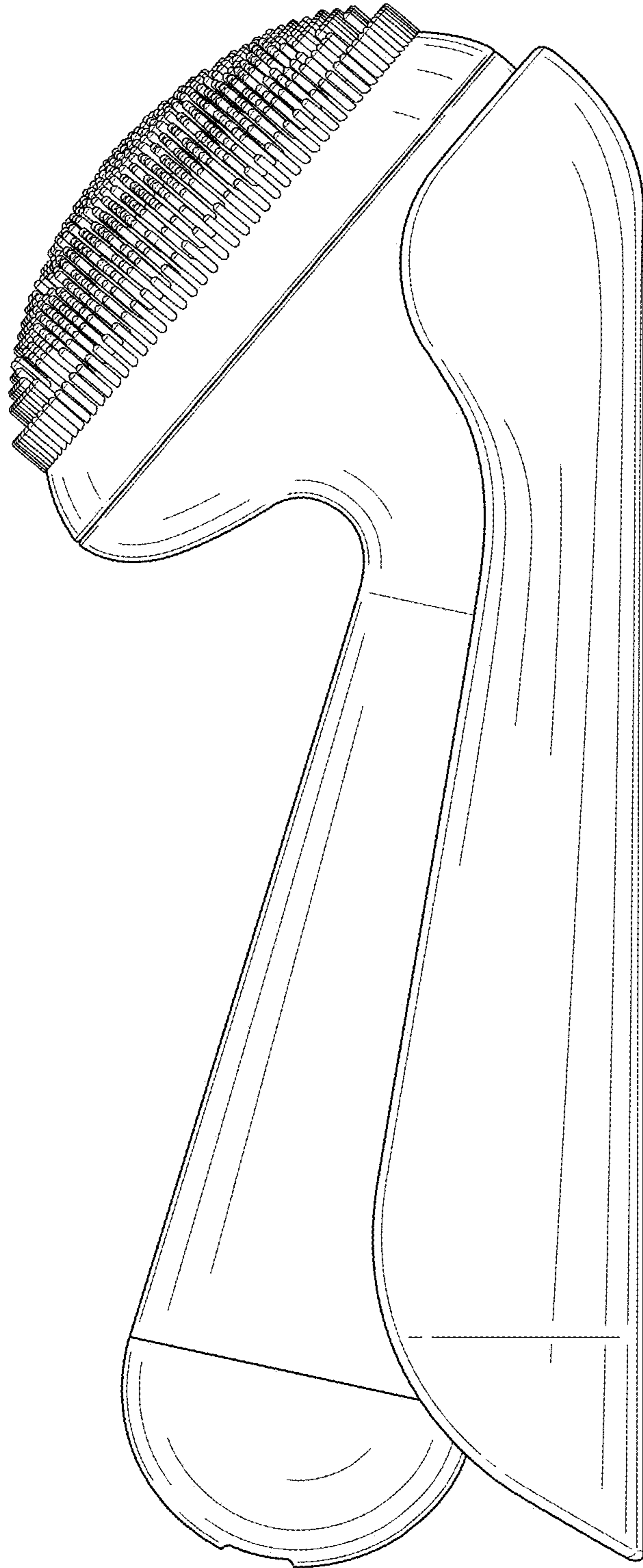


FIG. 18

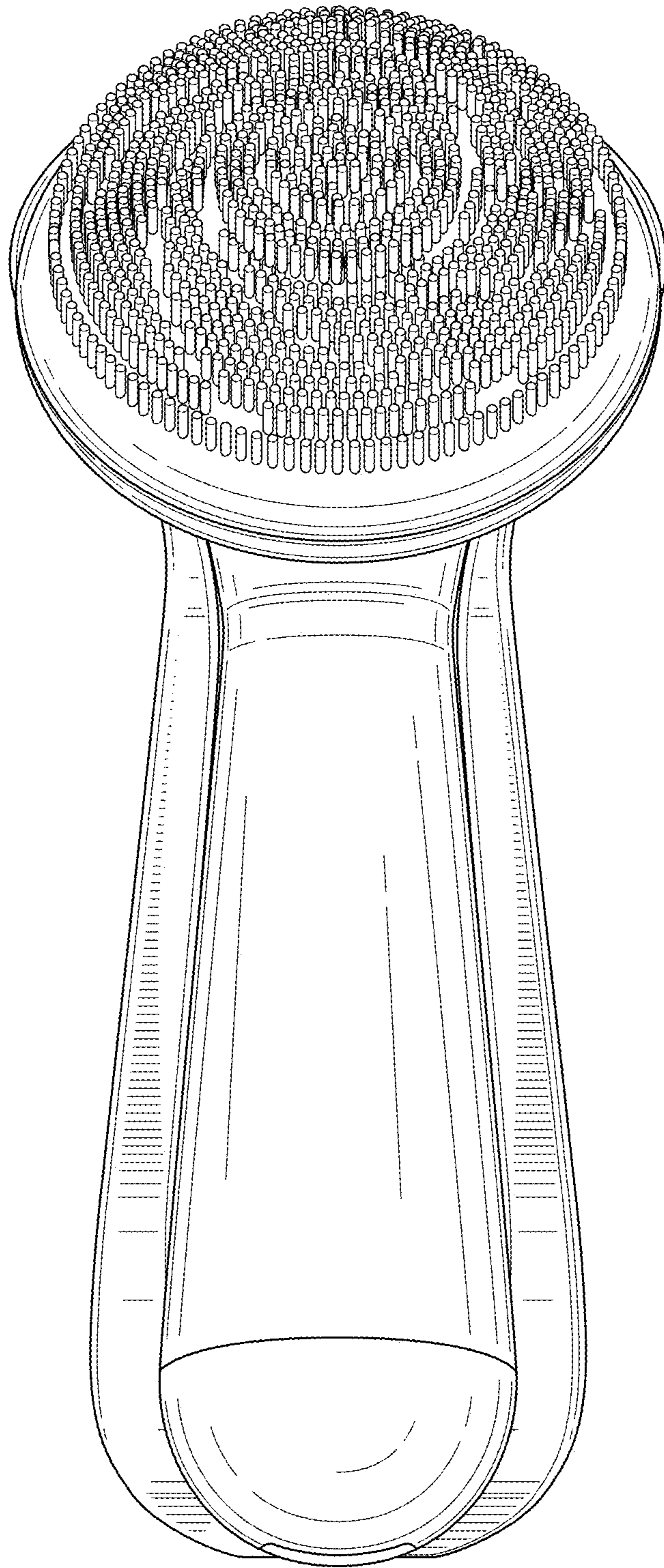


FIG. 19

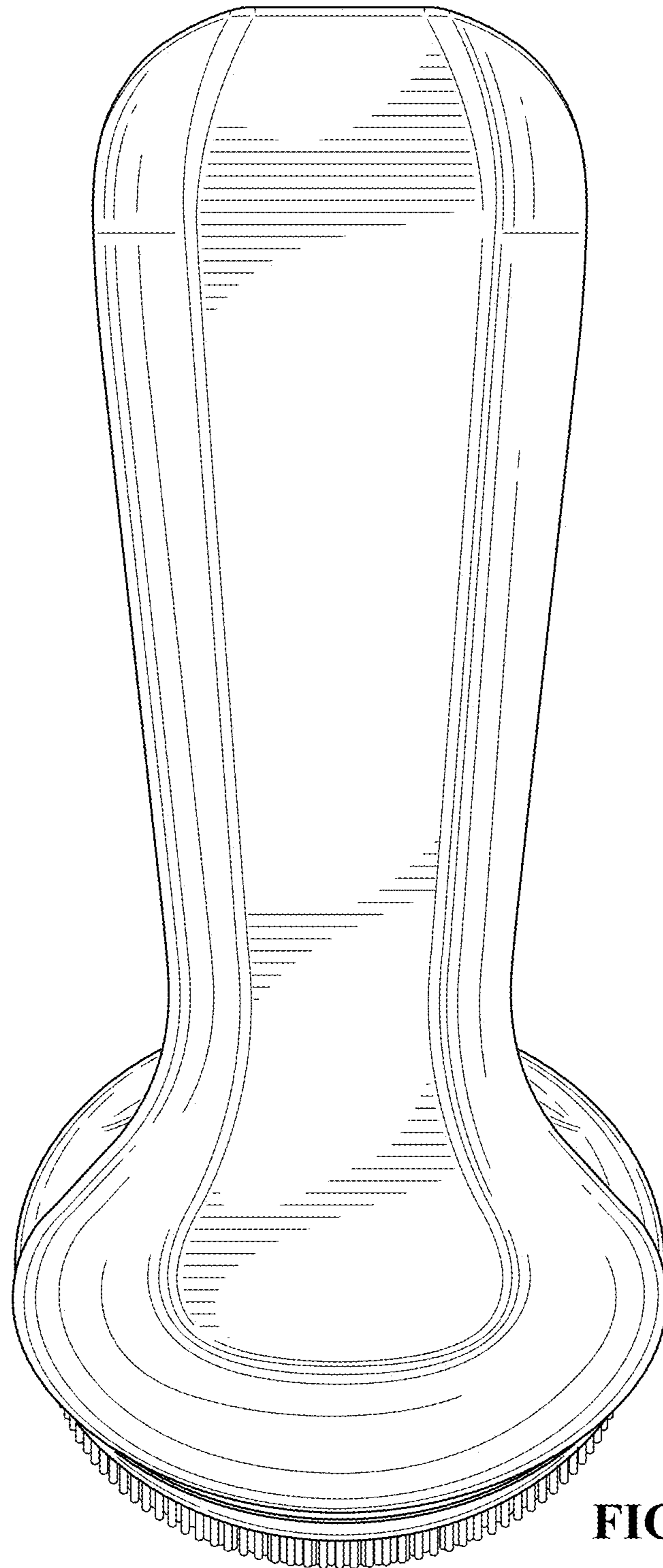


FIG. 20



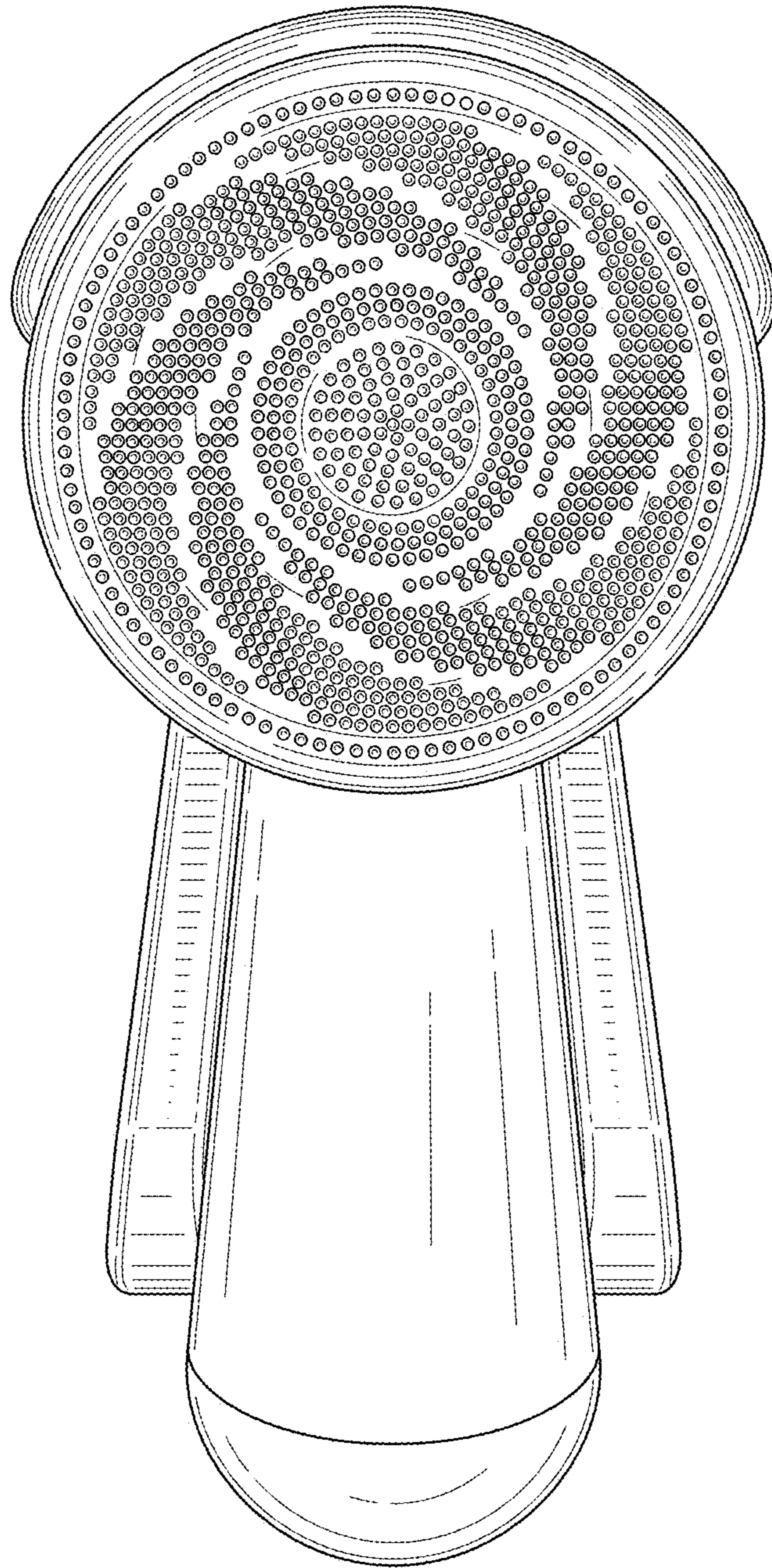


FIG. 21

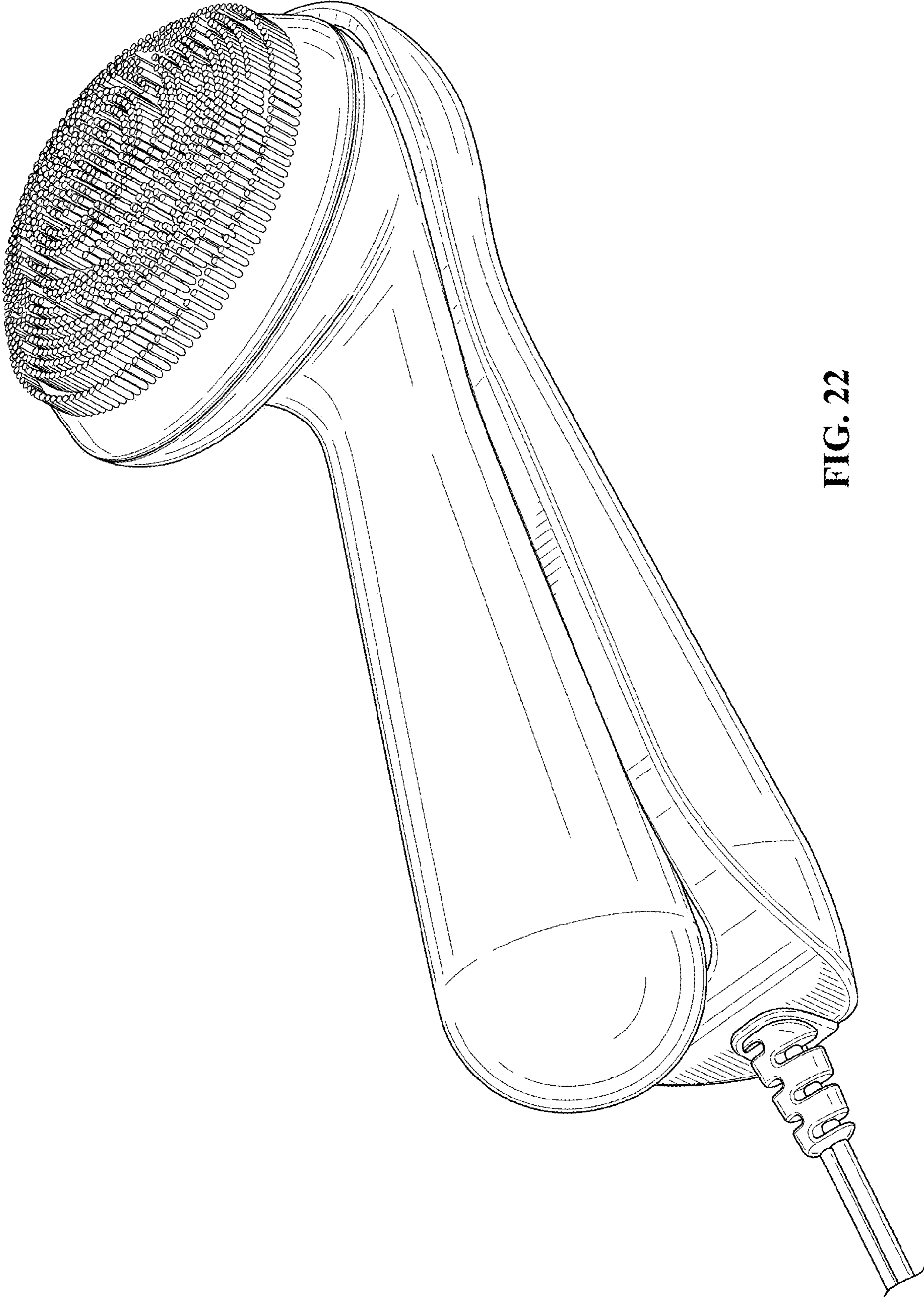
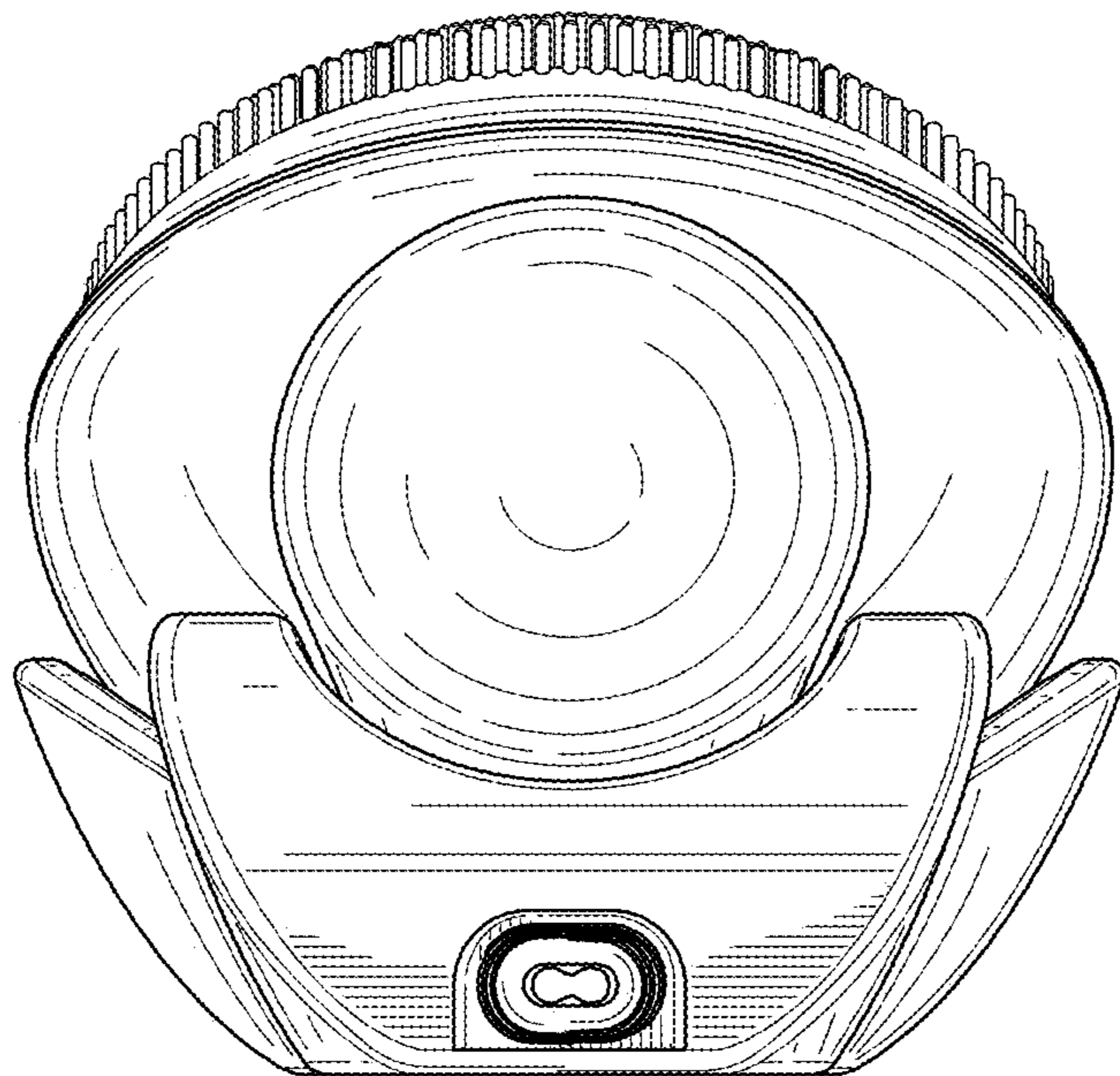


FIG. 22





**FIG. 23**



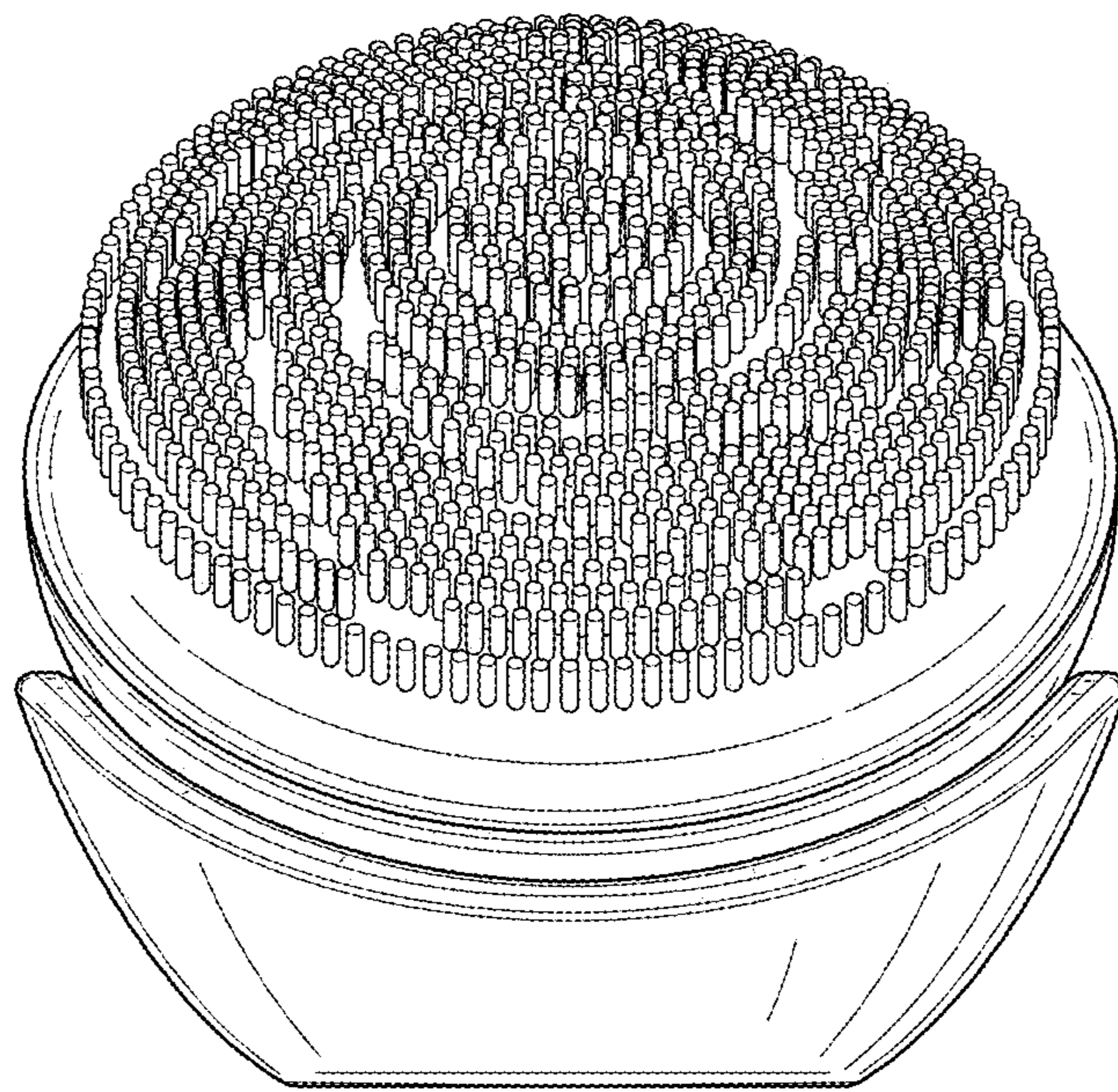


FIG. 24

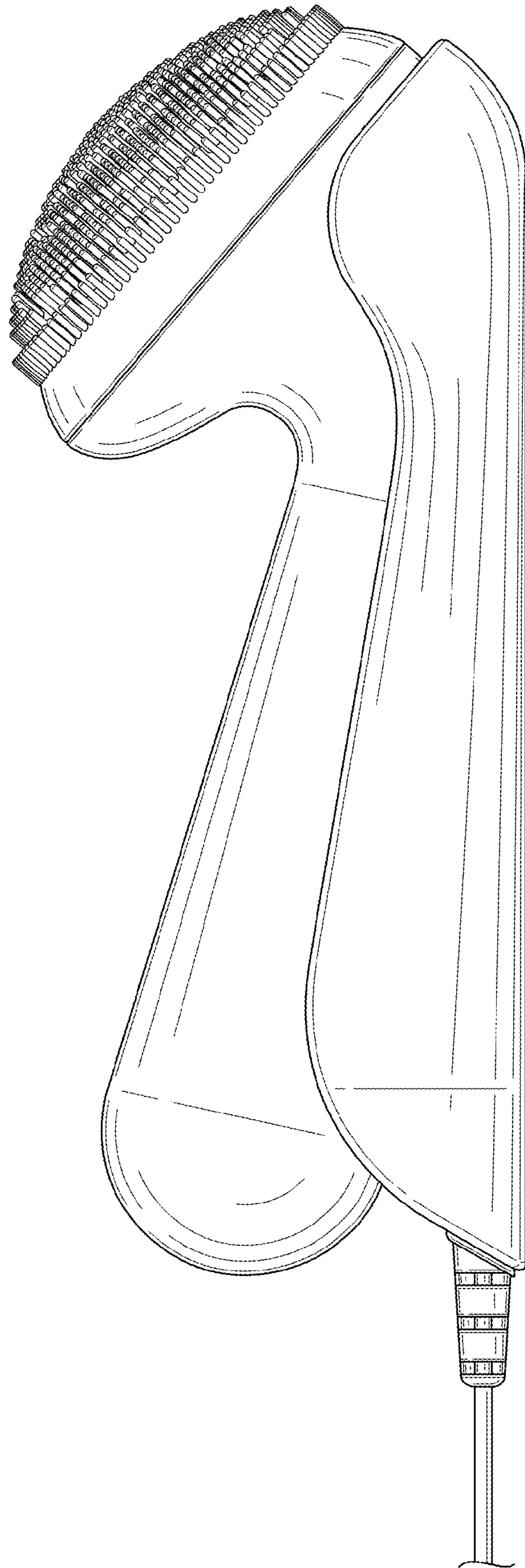


FIG. 25

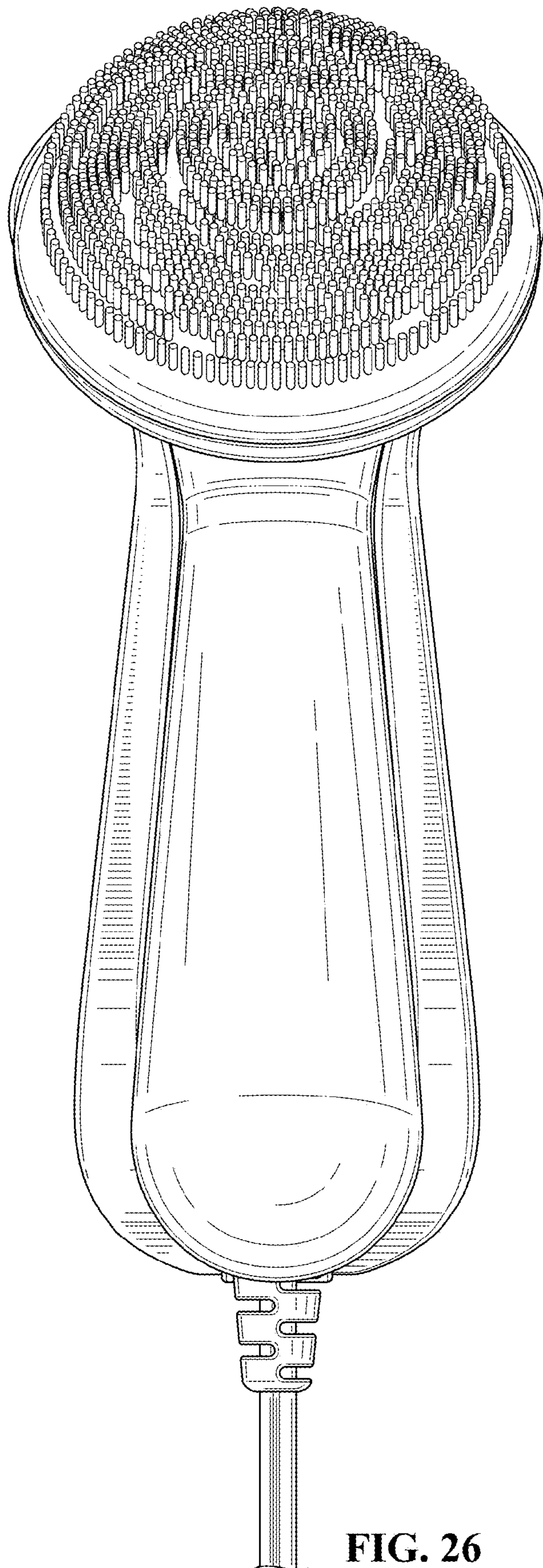


FIG. 26



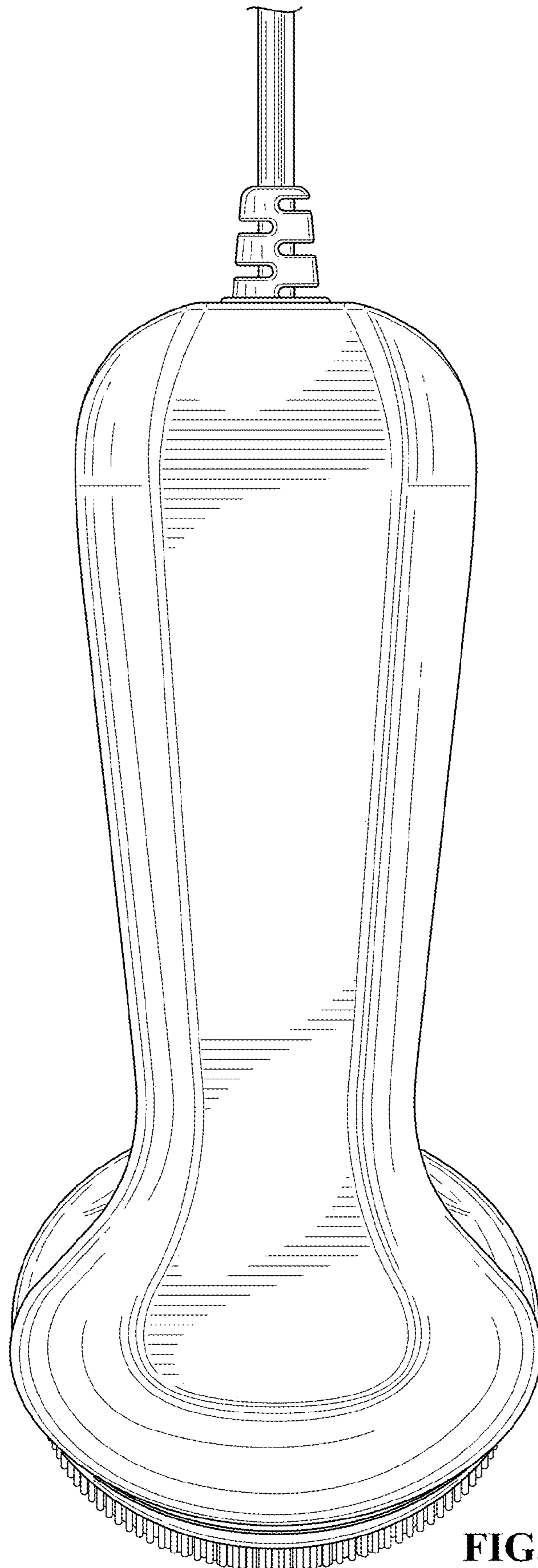


FIG. 27

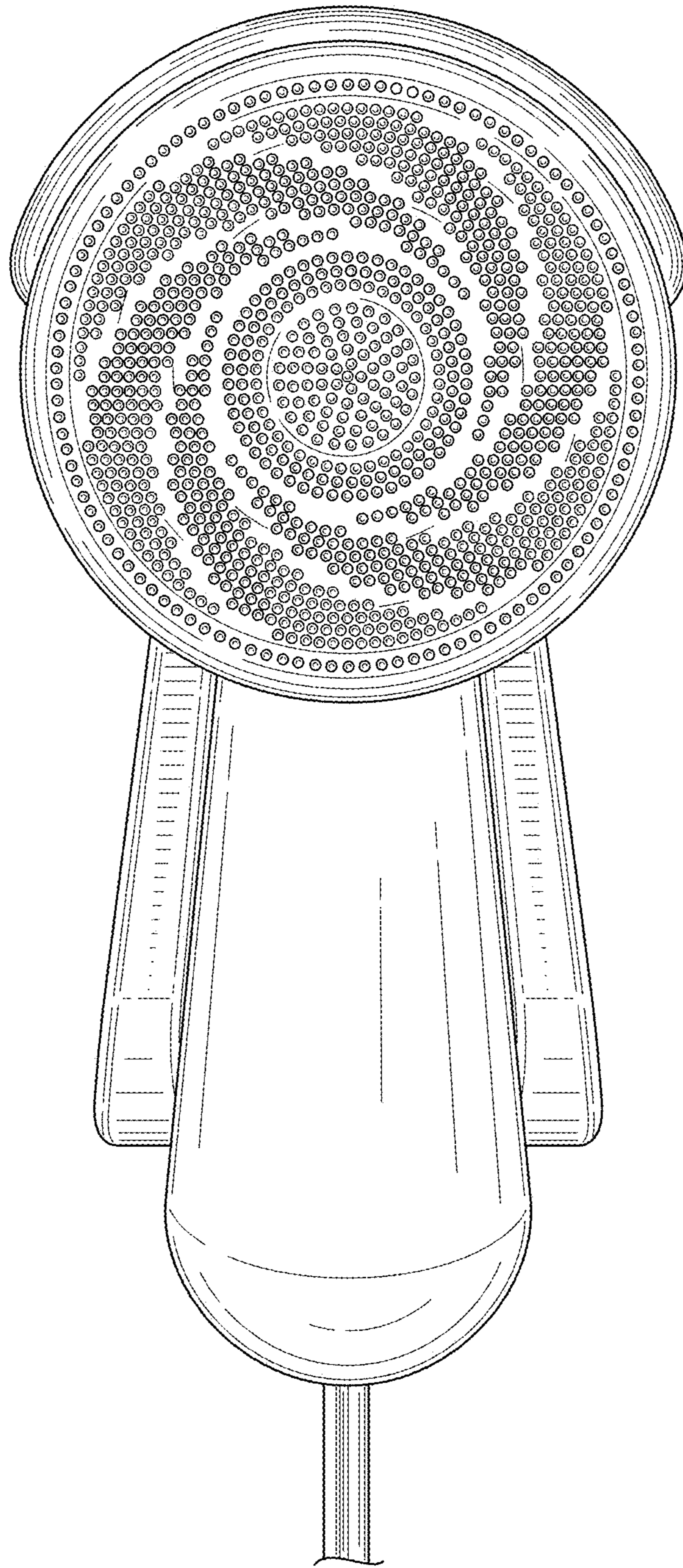


FIG. 28



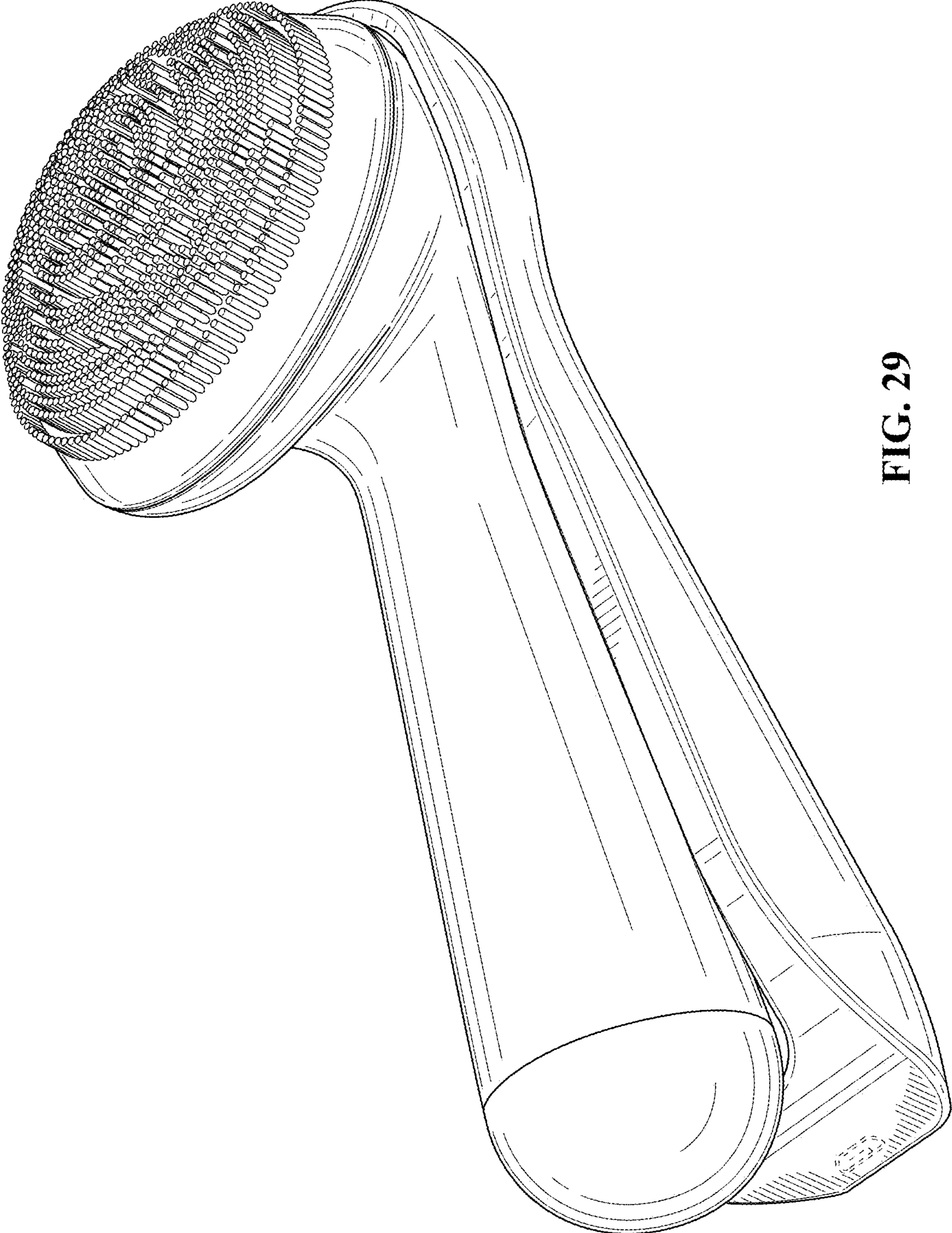


FIG. 29



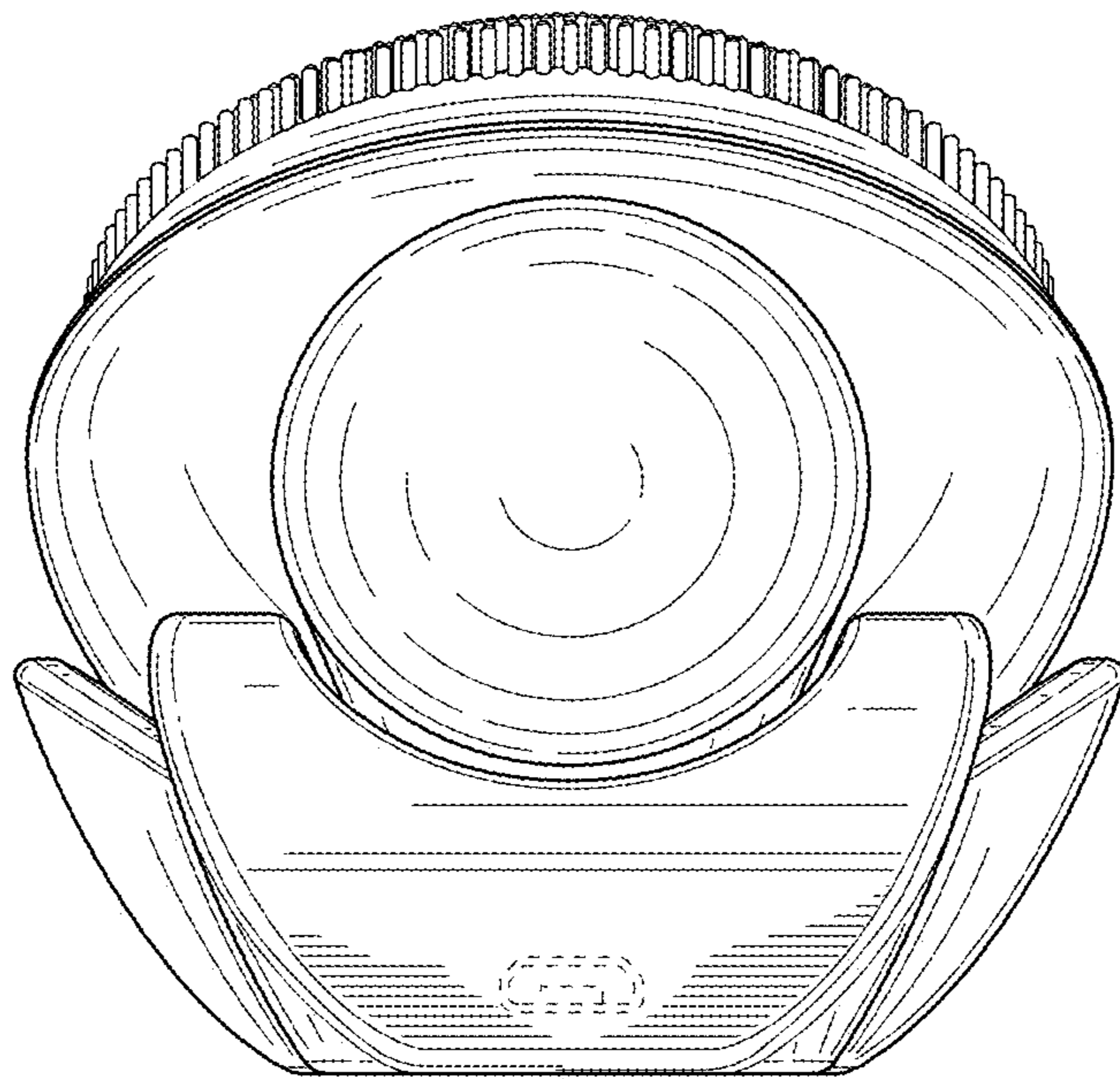
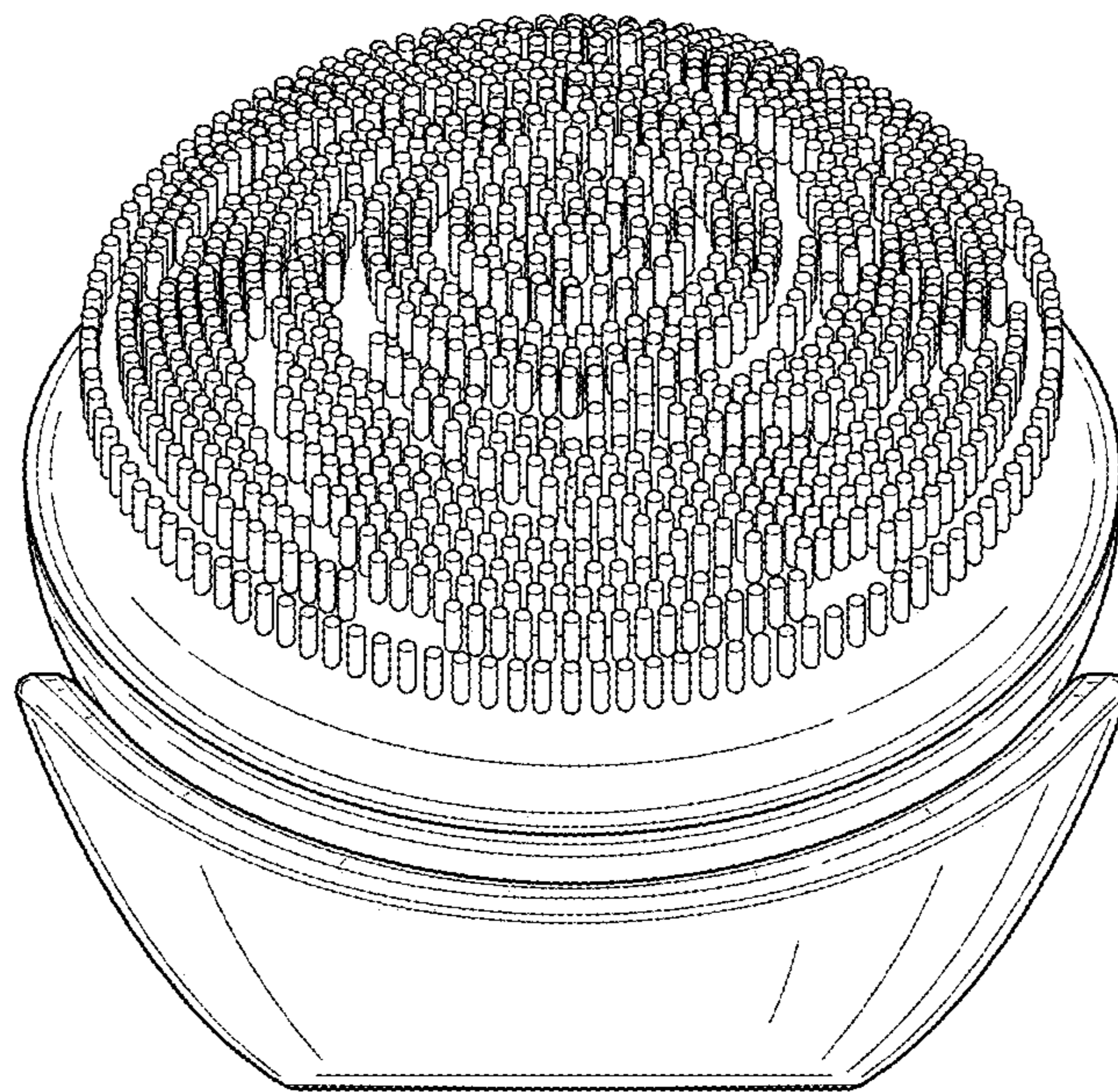


FIG. 30



**FIG. 31**

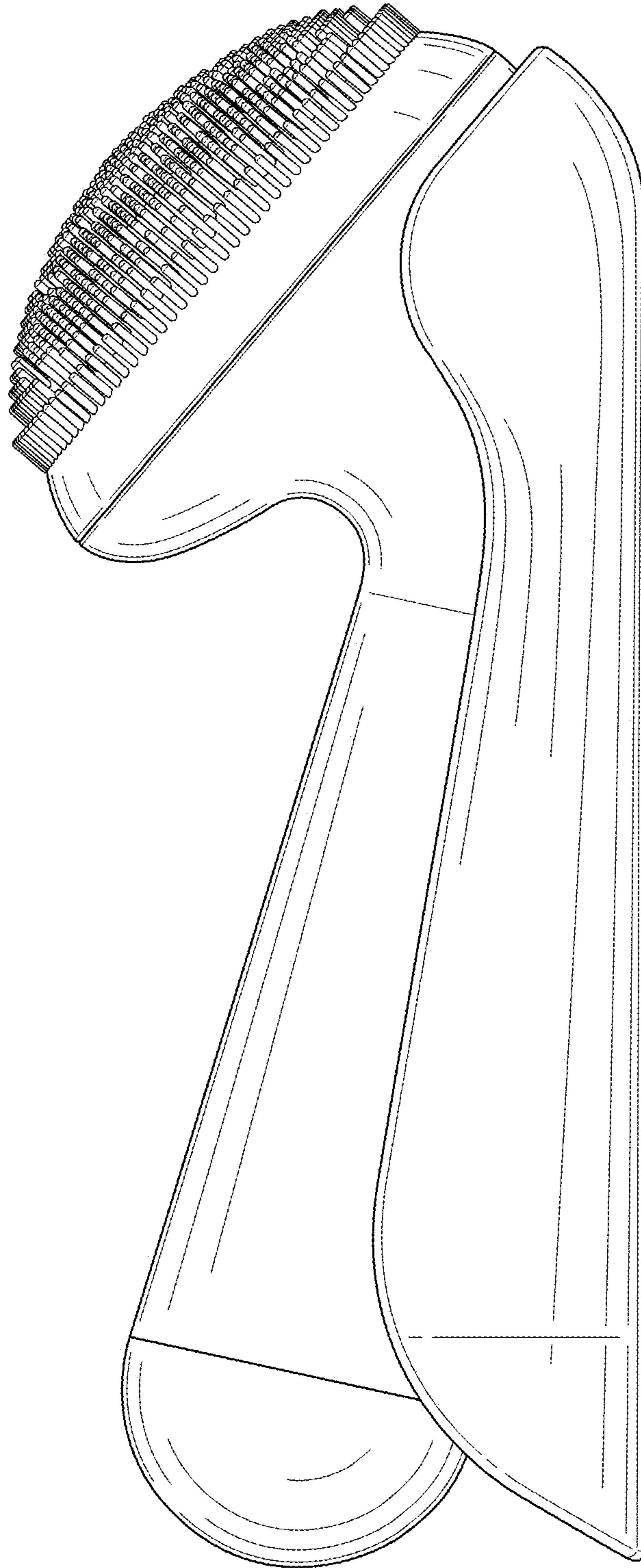


FIG. 32



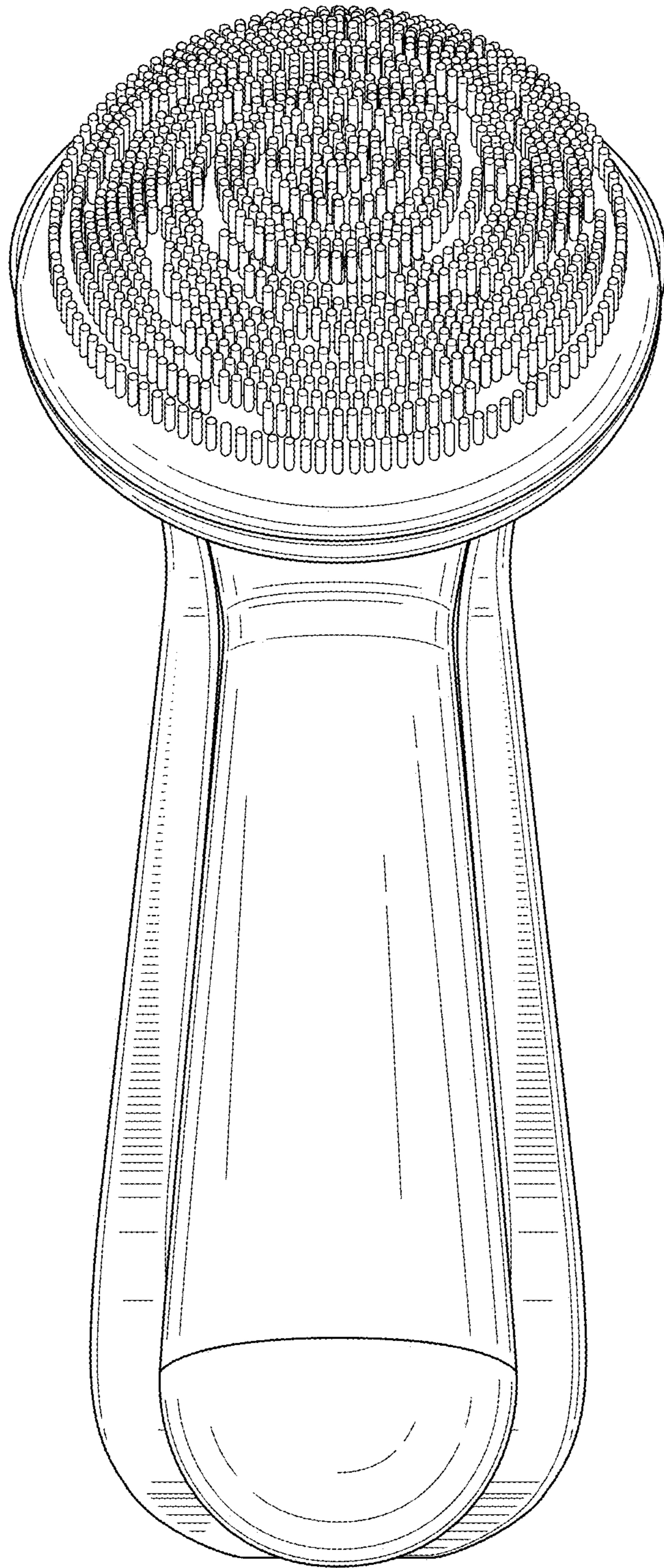


FIG. 33

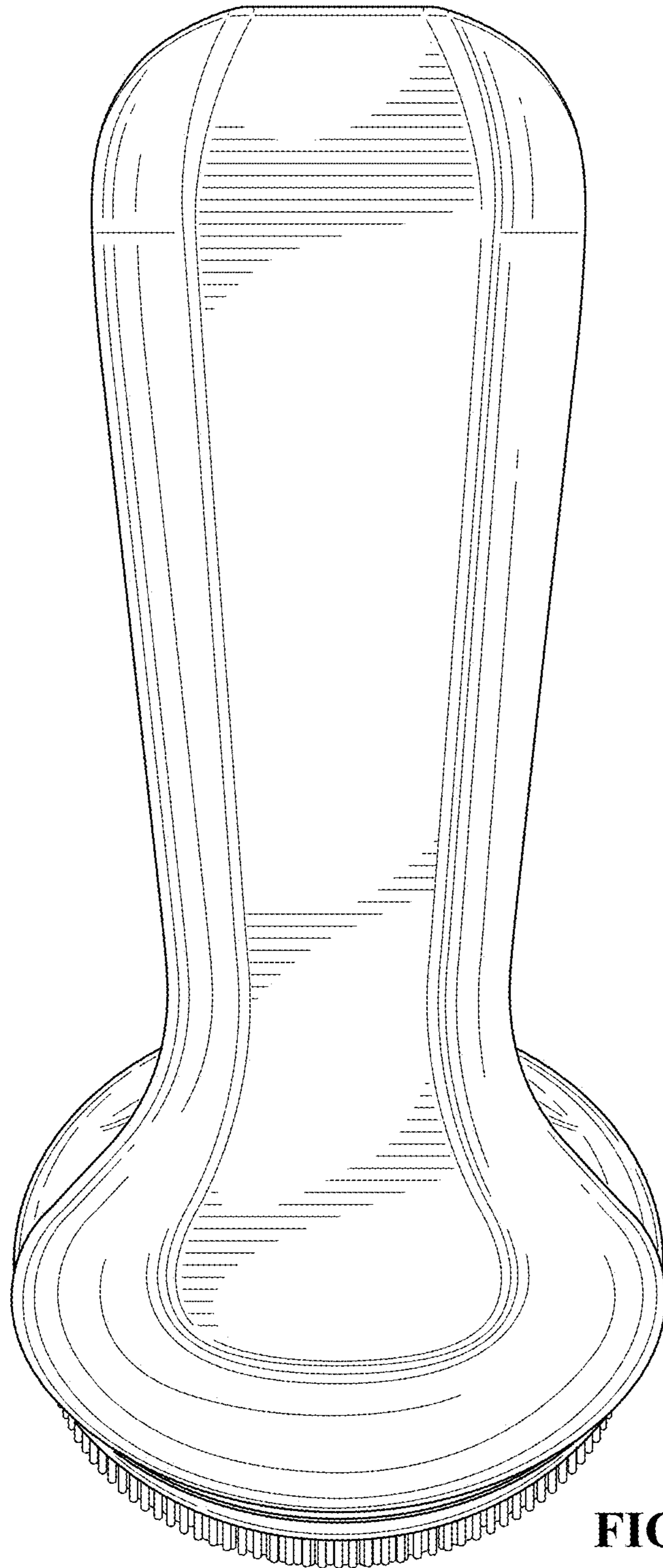


FIG. 34

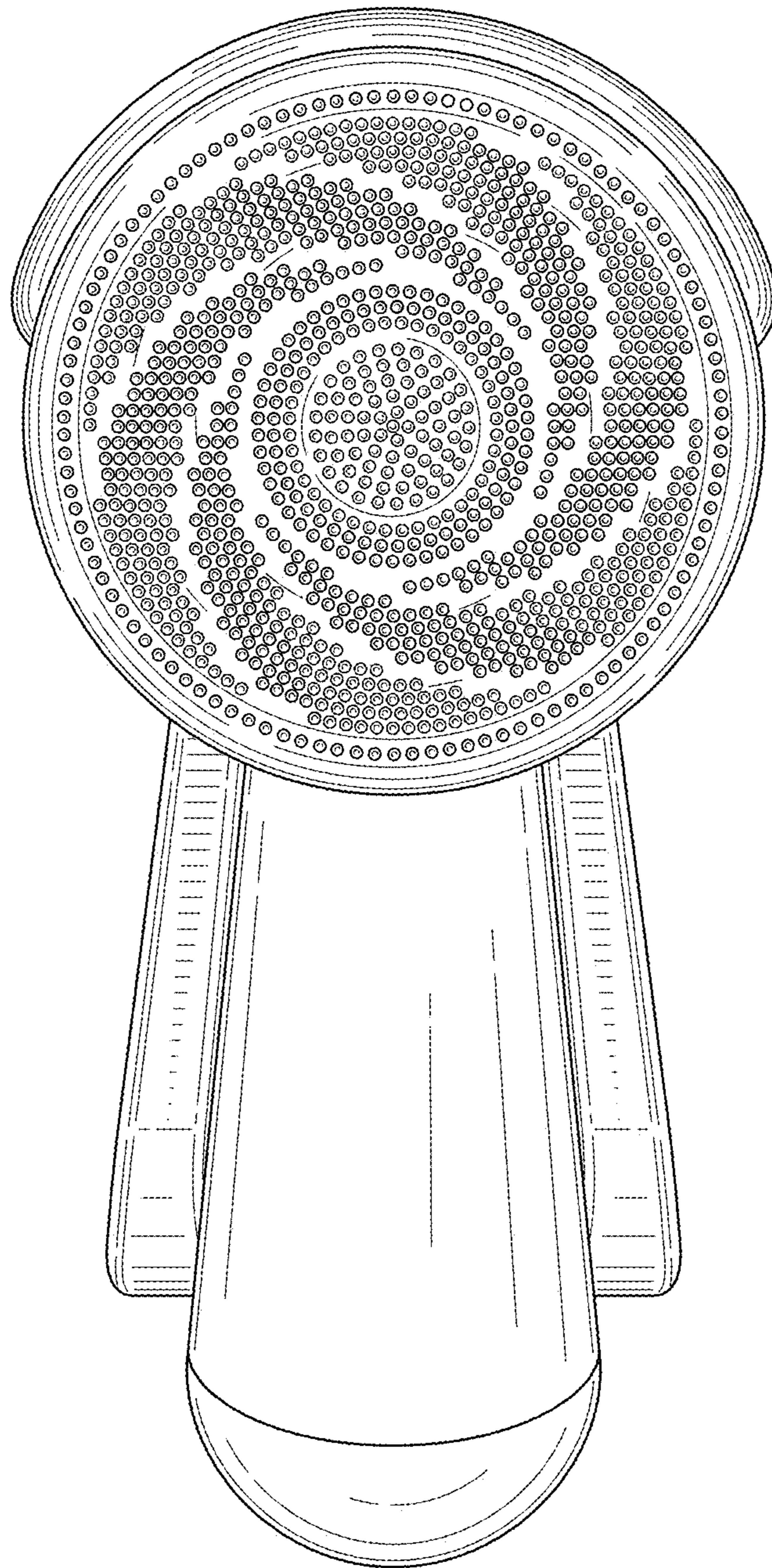


FIG. 35



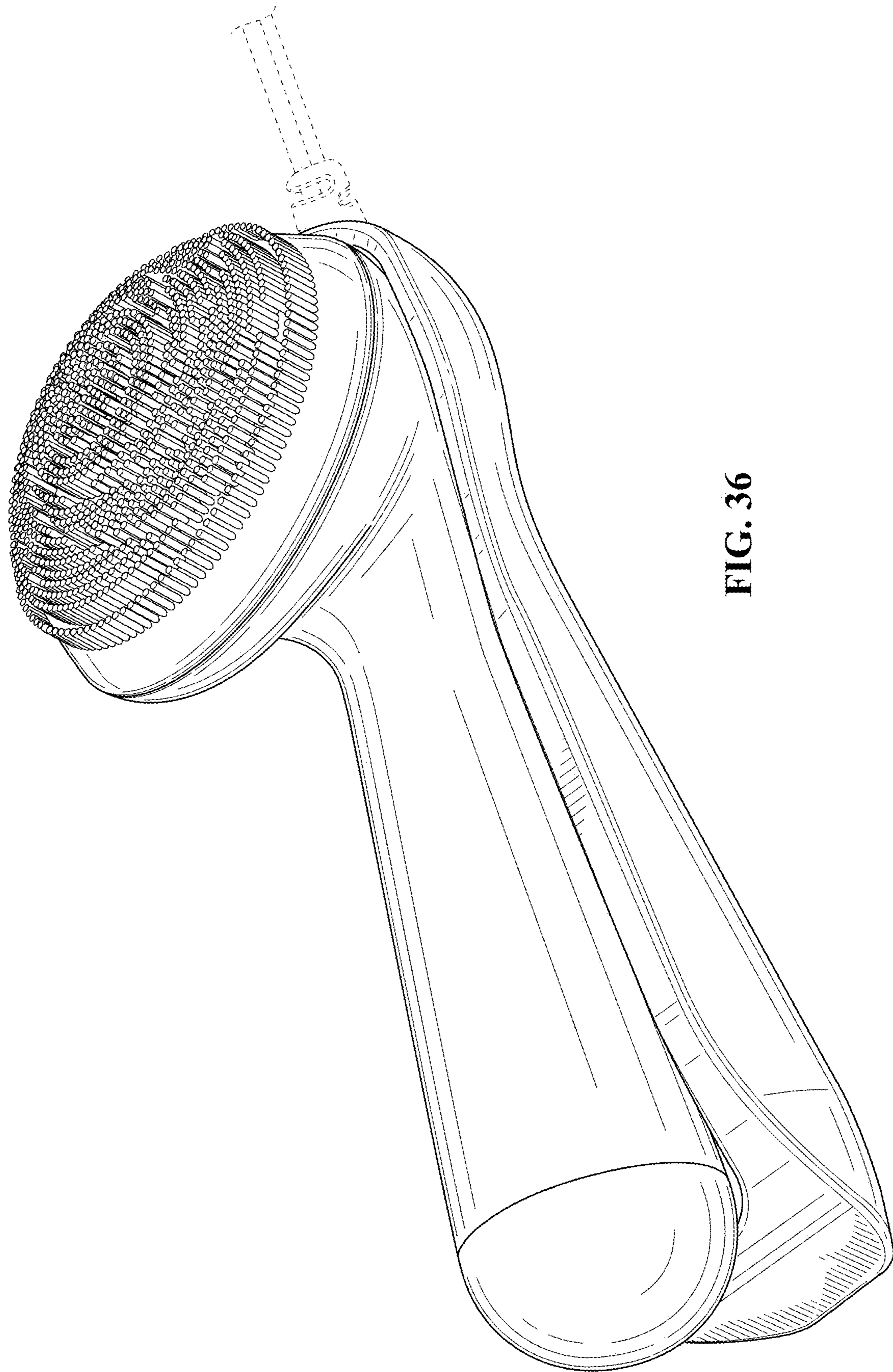
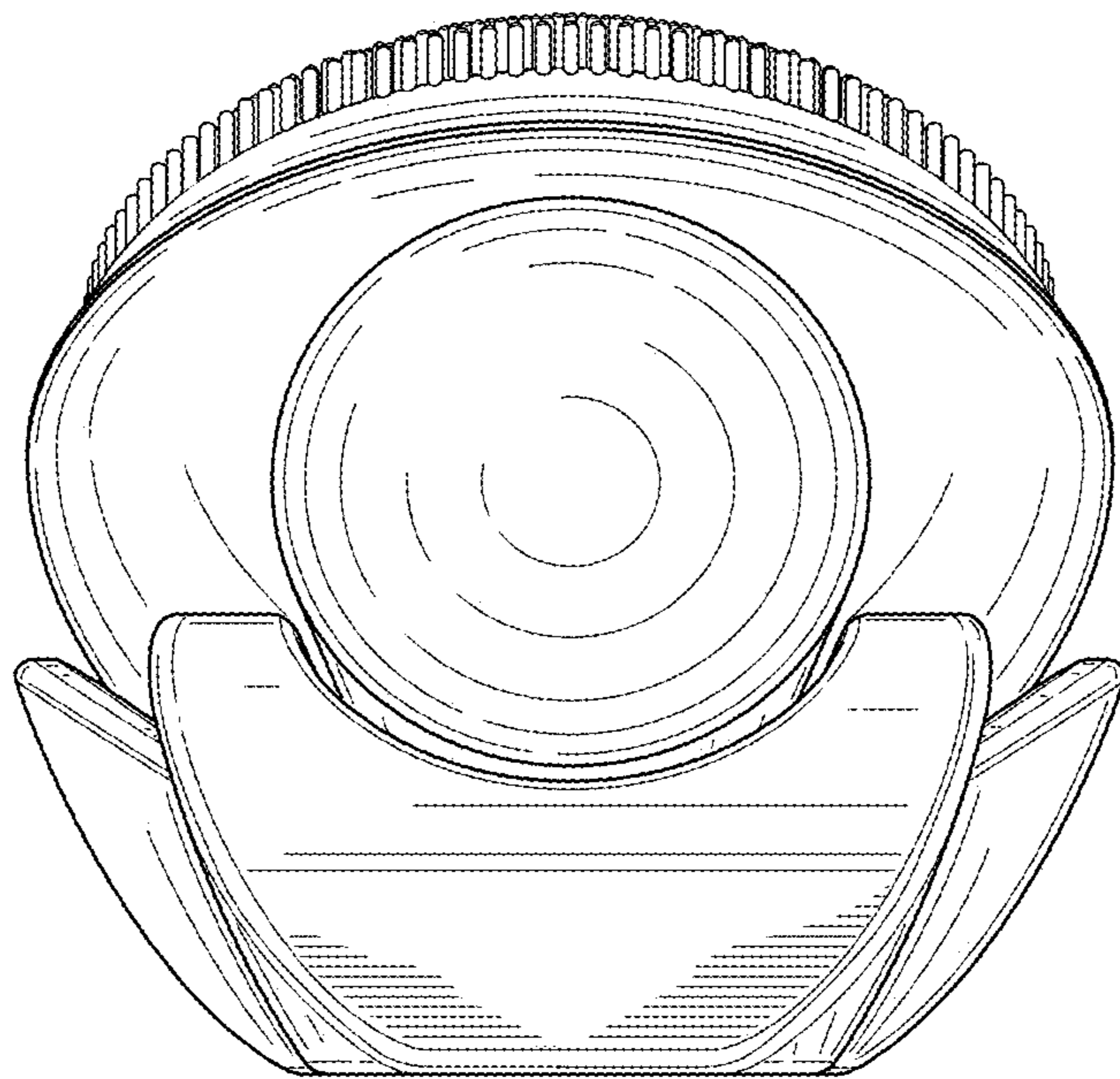
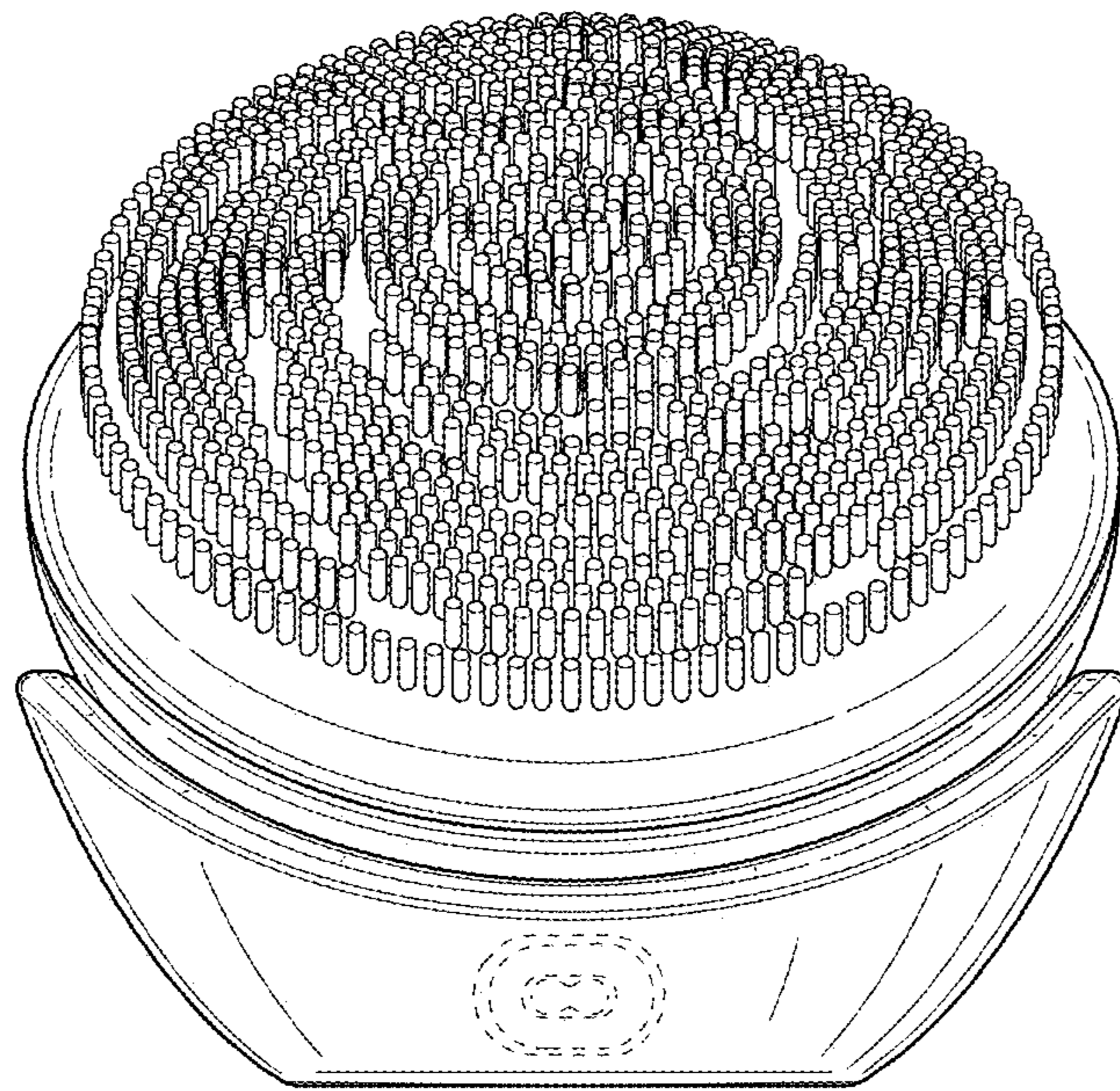


FIG. 36



**FIG. 37**



**FIG. 38**



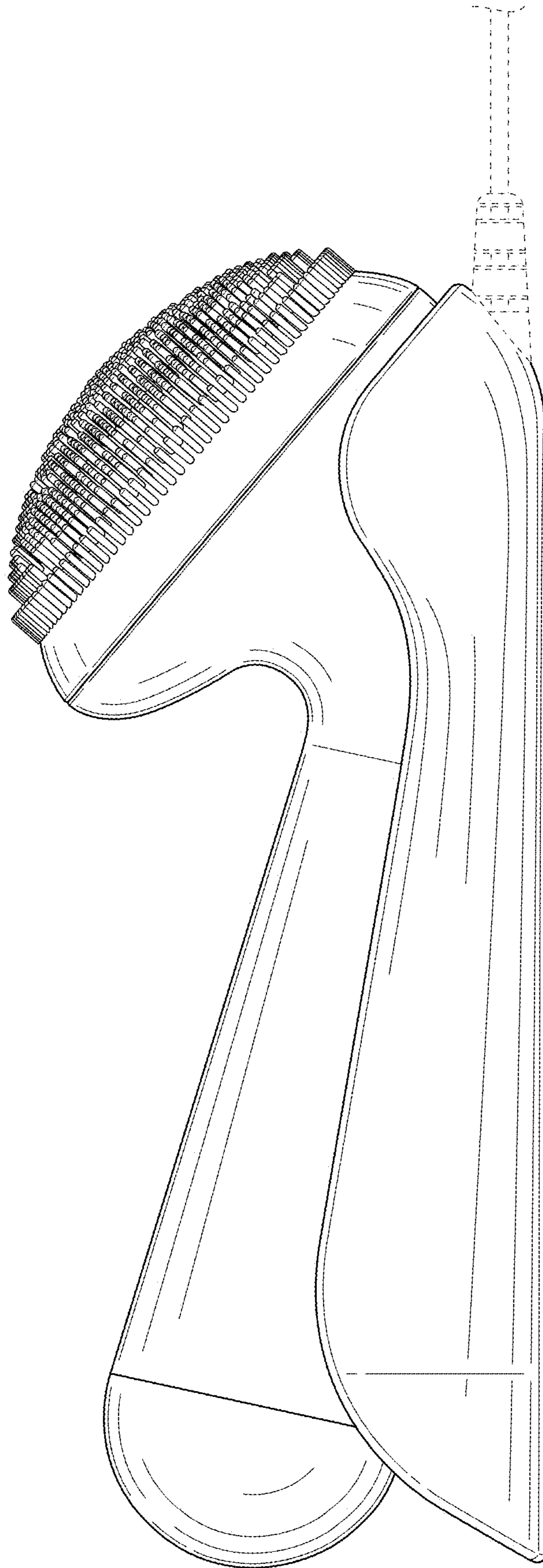


FIG. 39

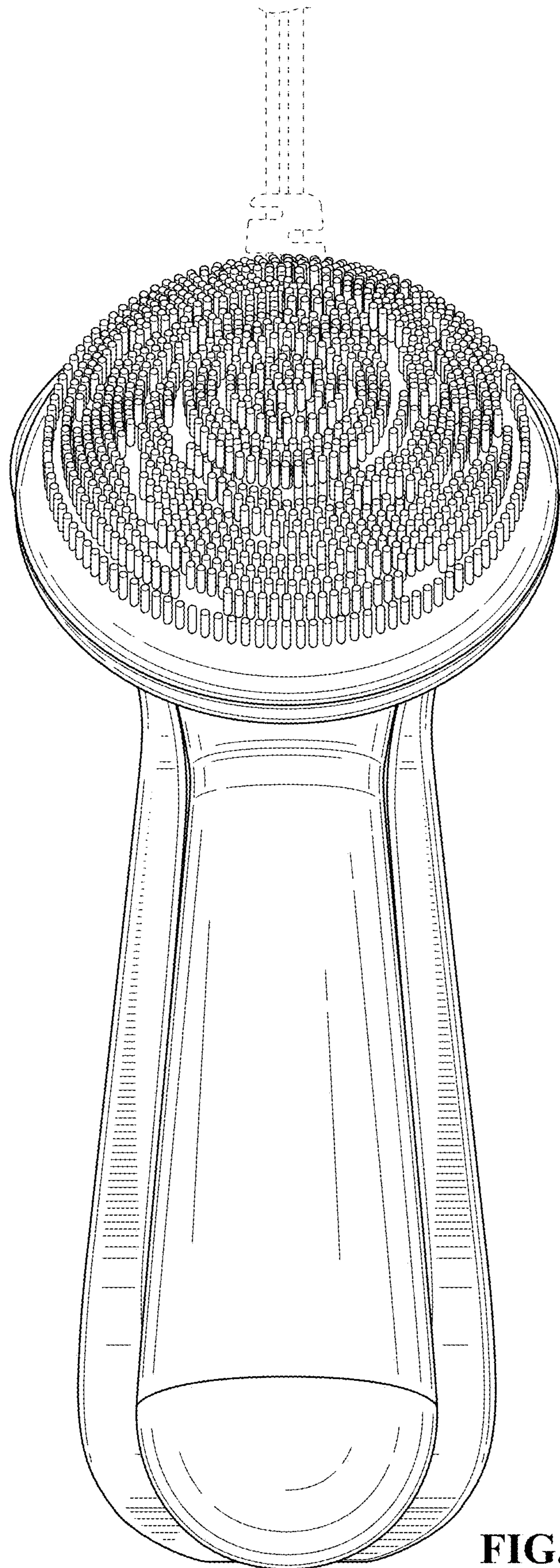


FIG. 40

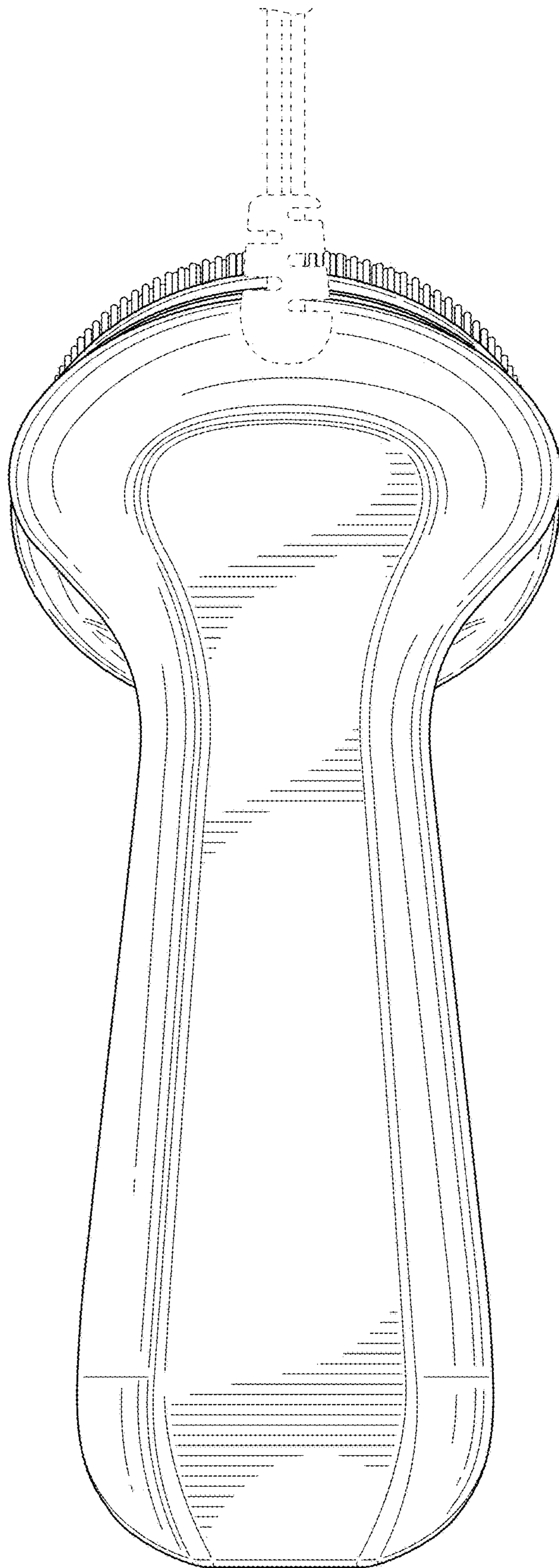


FIG. 41



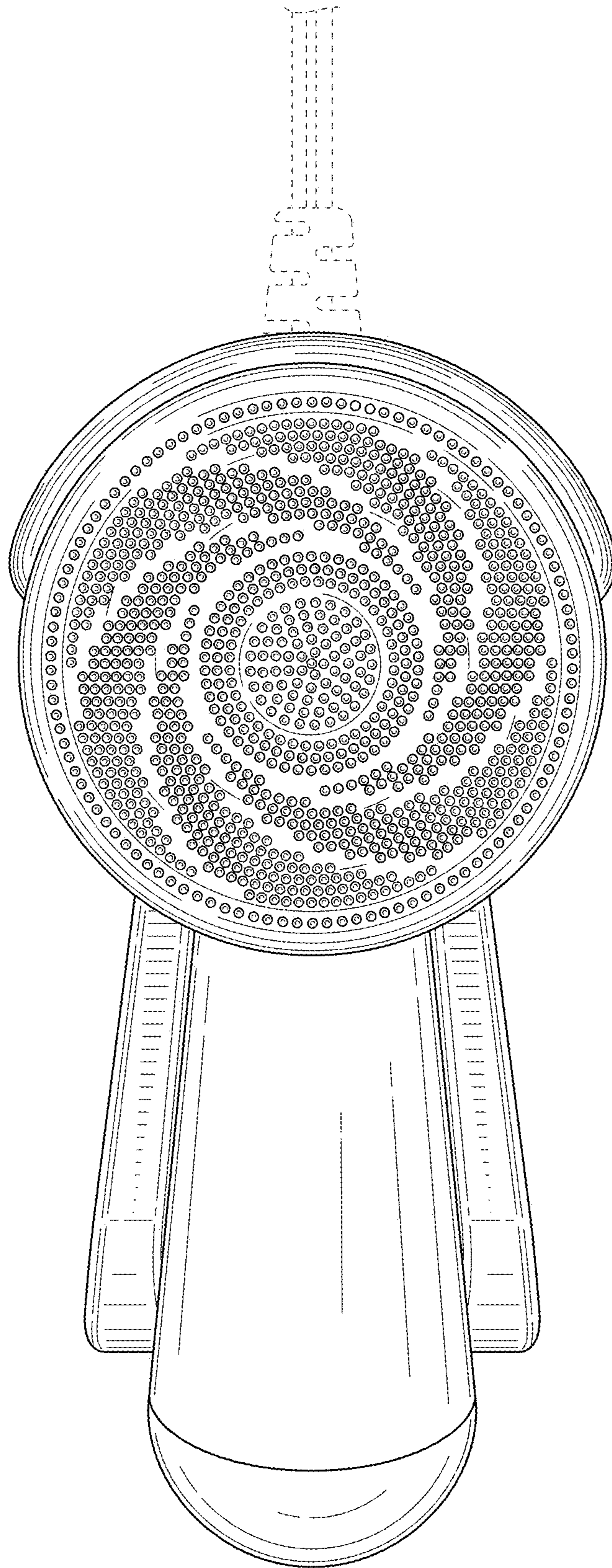


FIG. 42