



US00D959149S

(12) **United States Design Patent** (10) **Patent No.:** **US D959,149 S**
Cao (45) **Date of Patent:** **** Aug. 2, 2022**

(54) **TOOTHBRUSH HEAD**

(71) Applicant: **Ting Cao**, Hangzhou (CN)

(72) Inventor: **Ting Cao**, Hangzhou (CN)

(**) Term: **15 Years**

(21) Appl. No.: **29/802,413**

(22) Filed: **Aug. 5, 2021**

(51) **LOC (13) Cl.** **28-03**

(52) **U.S. Cl.**
USPC **D4/101**

(58) **Field of Classification Search**
USPC D4/100, 101, 104, 109, 111, 113
CPC A46B 9/04; A46B 2200/1066
See application file for complete search history.

(56) **References Cited**

U.S. PATENT DOCUMENTS

D476,485 S *	7/2003	Mulder	D4/101
D478,423 S *	8/2003	Mulder	D4/101
6,648,641 B1 *	11/2003	Viltro	A61Q 11/00 433/80
D492,118 S *	6/2004	Mc Currach	D4/108
D502,601 S *	3/2005	Lamason	D4/101
D503,537 S *	4/2005	Lamason	D4/101
D572,007 S *	7/2008	Lamason	D4/101
D598,653 S *	8/2009	Crossman	D4/101
D887,719 S *	6/2020	Kuang	D4/101
D888,230 S *	6/2020	Li	D24/111
D907,195 S *	1/2021	Li	D24/111
D907,369 S *	1/2021	Yang	D4/101
2008/0028548 A1 *	2/2008	Hall	A46B 7/06 15/207.2

2008/0295760 A1 *	12/2008	Wielstra	A46B 15/001 116/204
2010/0037912 A1 *	2/2010	Baughman	A61C 15/047 132/323
2016/0051040 A1 *	2/2016	Nadeau	A46B 5/0025 15/167.2
2016/0066682 A1 *	3/2016	Jalalian	A46B 9/005 15/114
2018/0185128 A1 *	7/2018	Dai	H02K 7/06

FOREIGN PATENT DOCUMENTS

GB	3008115	*	12/2002
WO	WO-D066073-003	*	2/2005

* cited by examiner

Primary Examiner — Karen E Eldridge Powers

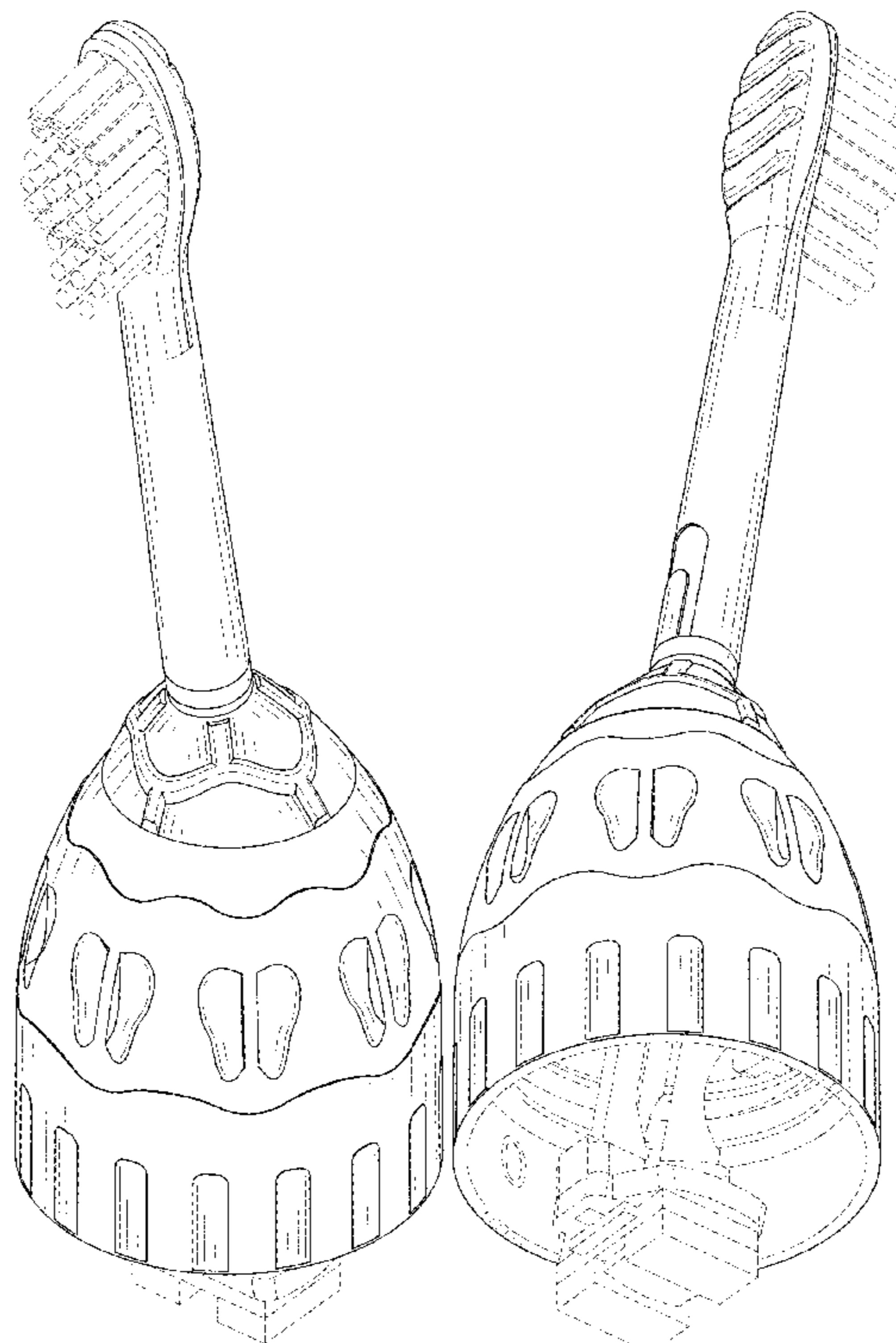
(57) **CLAIM**

The ornamental design for a toothbrush head, as shown and described.

DESCRIPTION

FIG. 1 is a front and top perspective view of a toothbrush head, showing my new design;
FIG. 2 is a rear and bottom perspective view thereof;
FIG. 3 is a front elevation view thereof;
FIG. 4 is a rear elevation view thereof;
FIG. 5 is a left side elevation view thereof;
FIG. 6 is a right side elevation view thereof;
FIG. 7 is a top plan view thereof; and,
FIG. 8 is a bottom plan view thereof.
The broken lines in the figures illustrate portions of the toothbrush head that form no part of the claimed design.

1 Claim, 8 Drawing Sheets



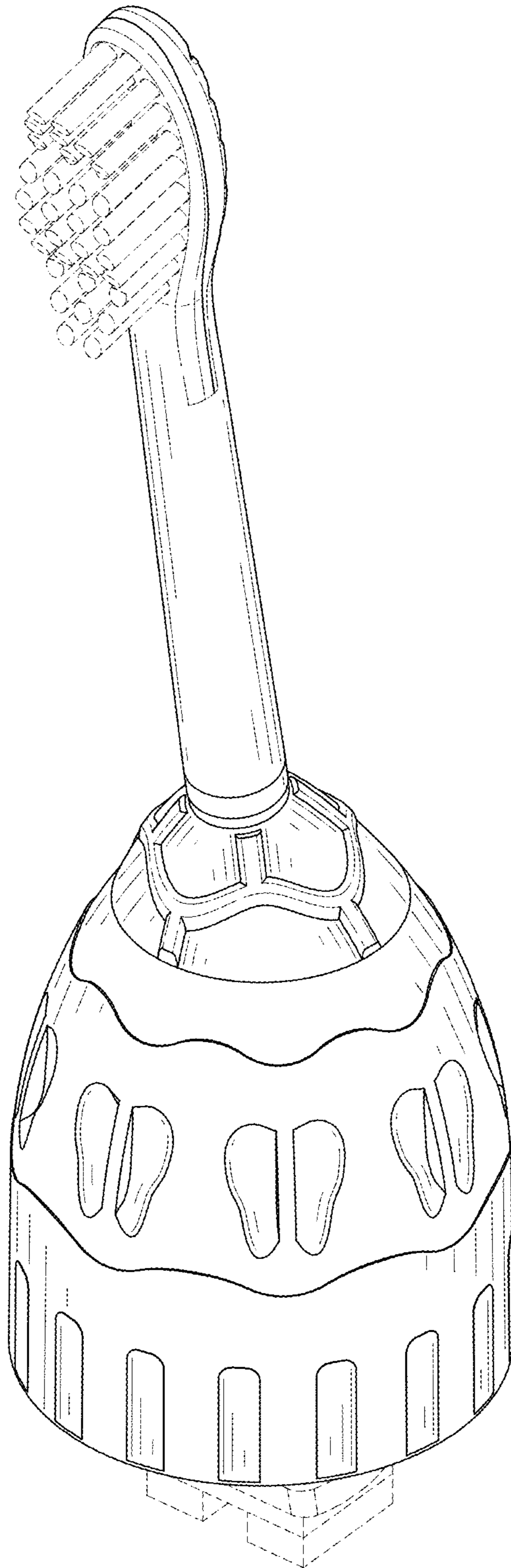


FIG. 1

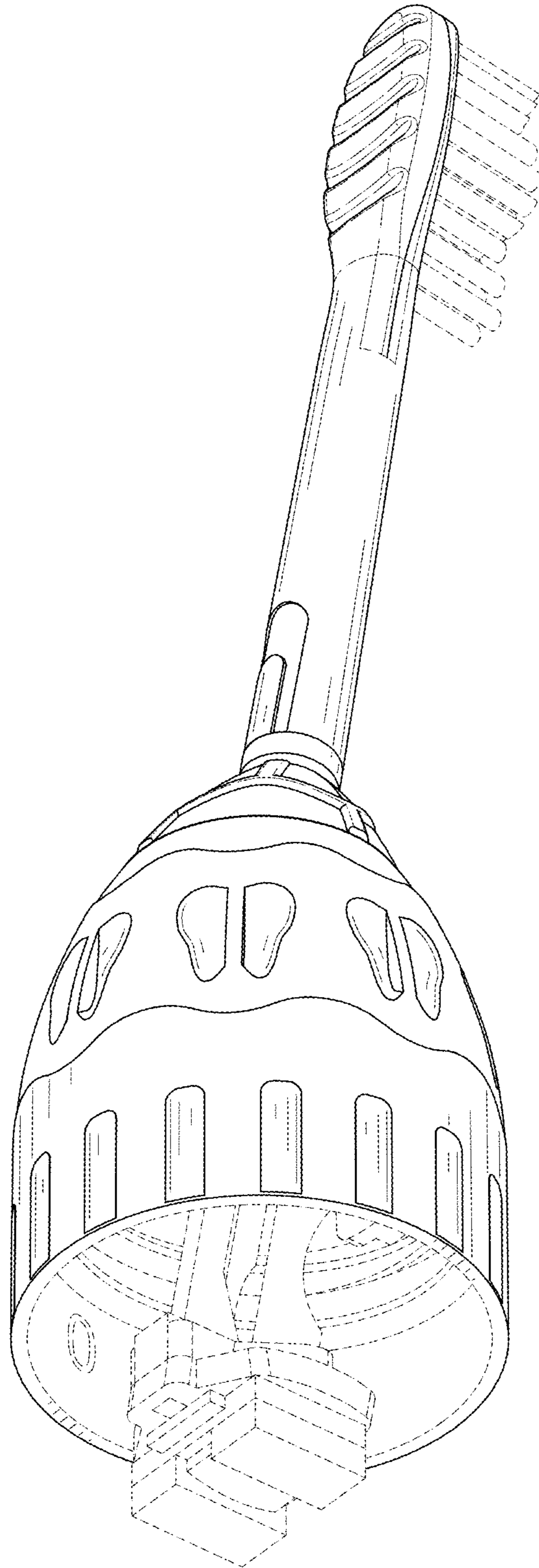


FIG. 2

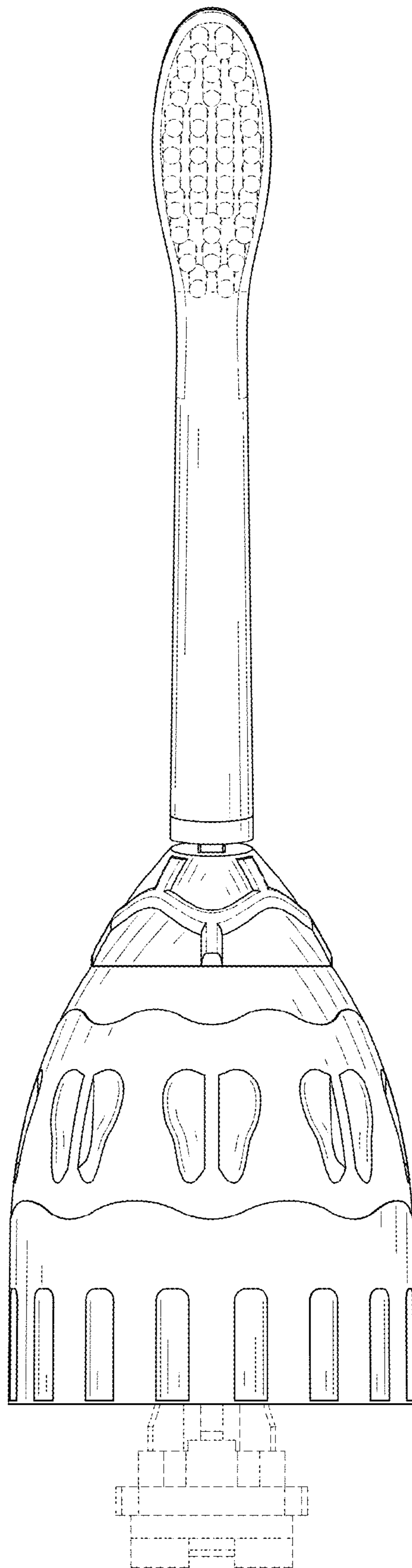


FIG. 3

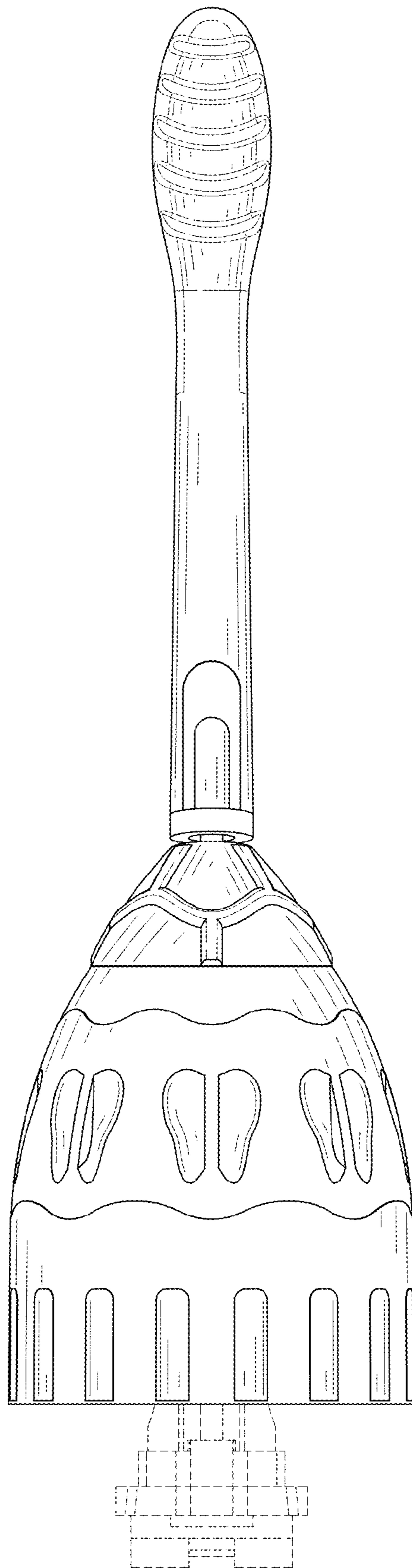


FIG. 4

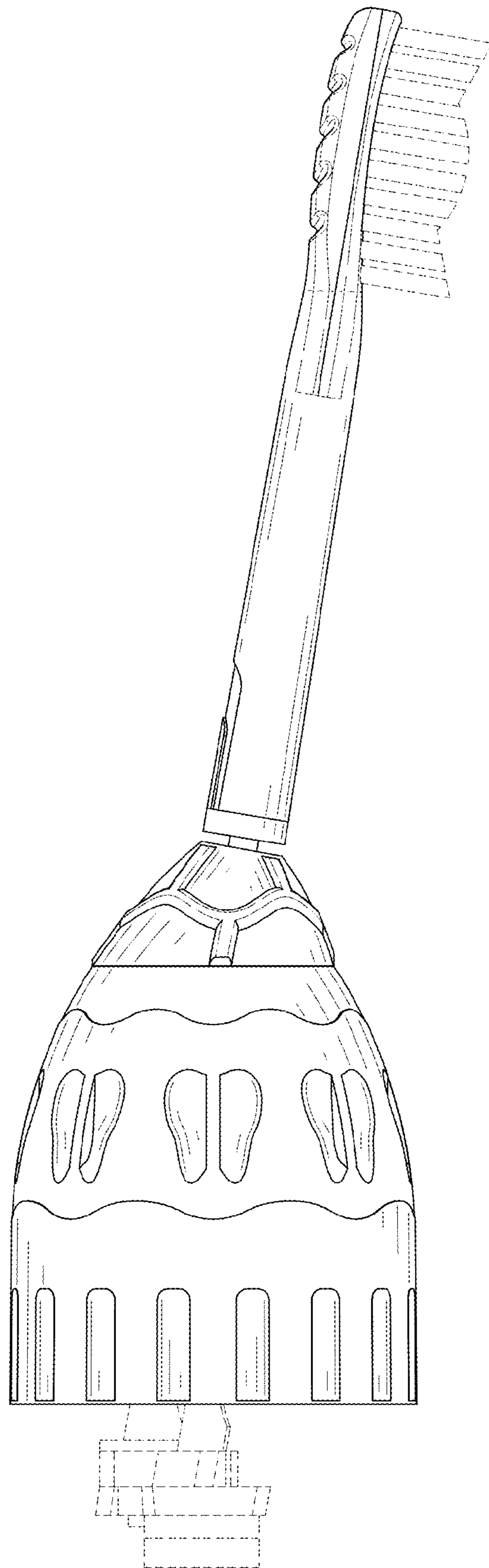


FIG. 5

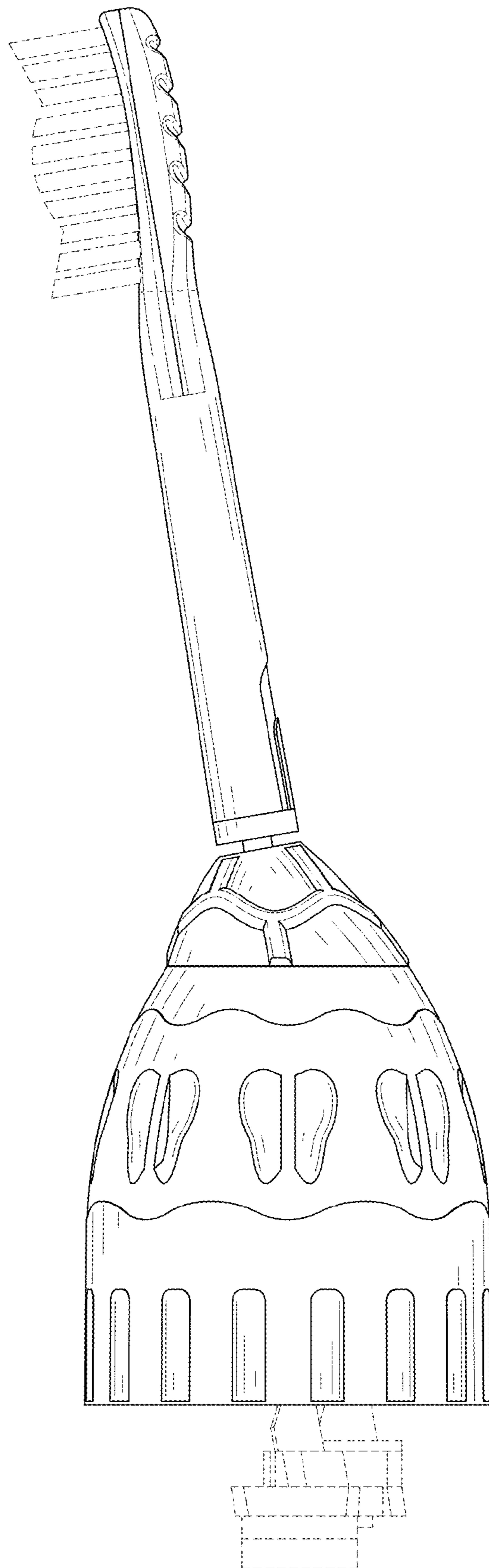


FIG. 6

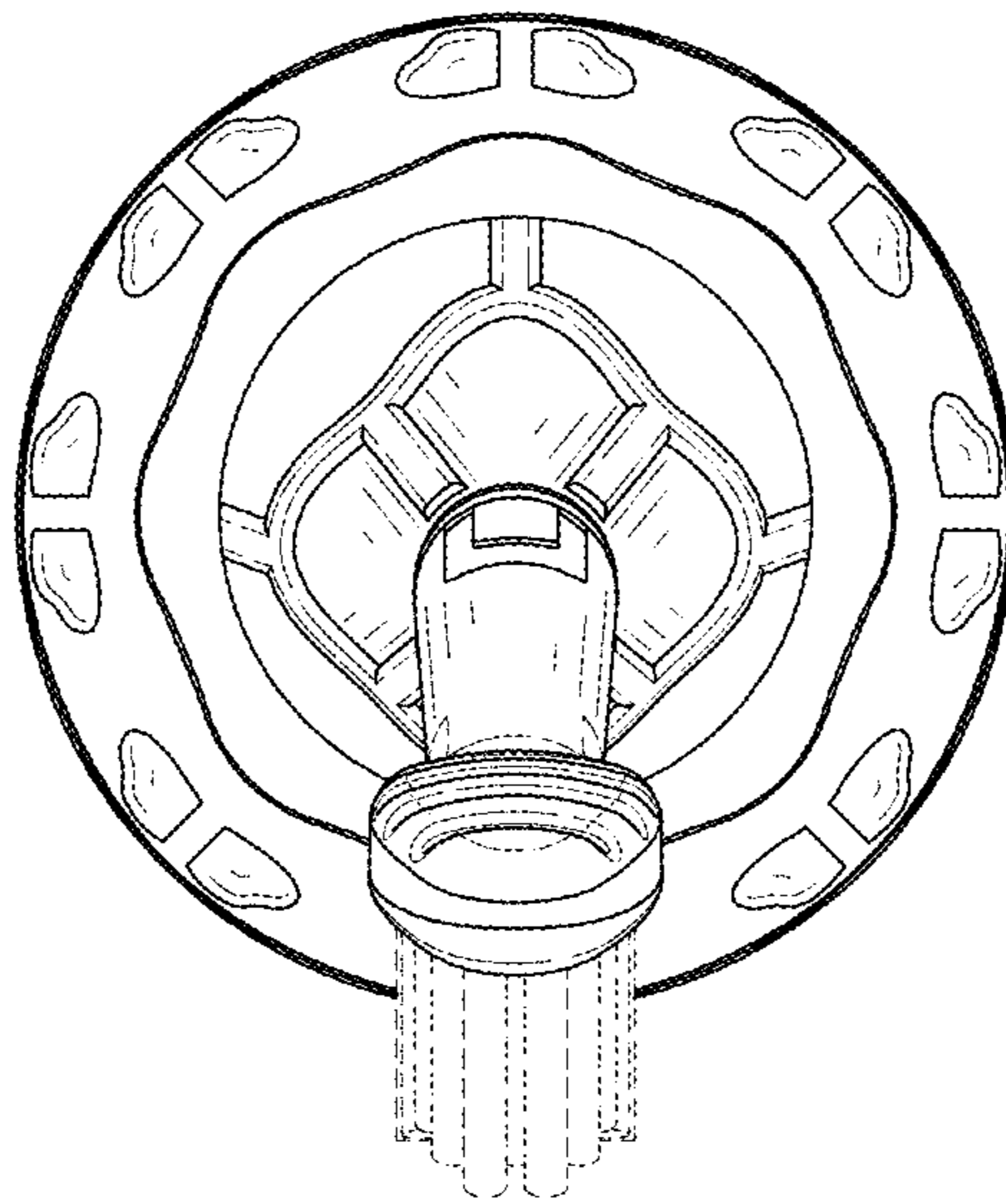


FIG. 7

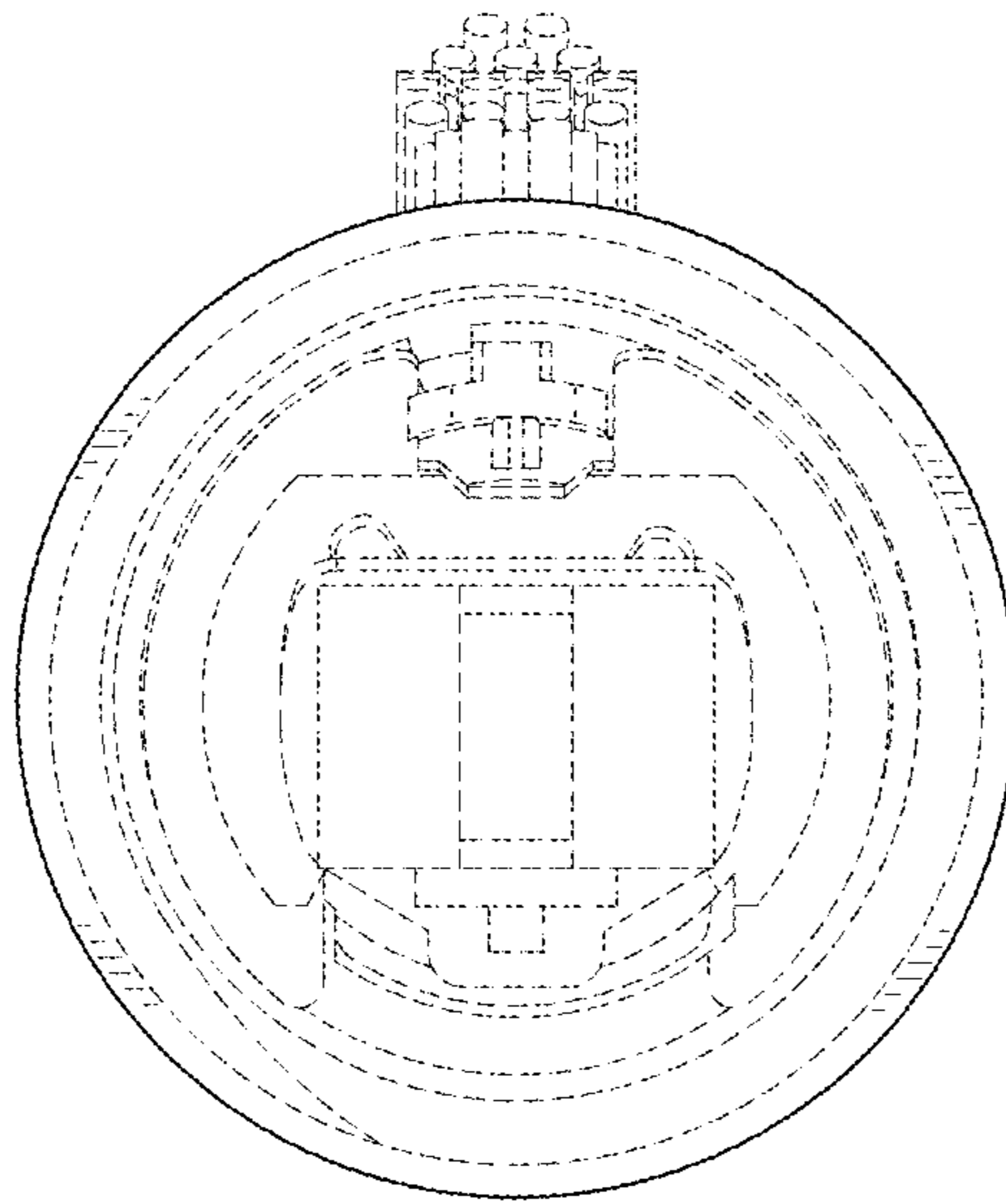


FIG. 8