



US00D959144S

(12) **United States Design Patent**  
**Joseph**

(10) **Patent No.:** **US D959,144 S**

(45) **Date of Patent:** **\*\* Aug. 2, 2022**

(54) **ORGANIZER**

(71) Applicant: **JOSEPH JOSEPH LTD.**, London (GB)

(72) Inventor: **Antony Joseph**, London (GB)

(73) Assignee: **JOSEPH JOSEPH LTD.**, London (GB)

(\*\*) Term: **15 Years**

(21) Appl. No.: **29/794,729**

(22) Filed: **Jun. 15, 2021**

(30) **Foreign Application Priority Data**

Dec. 15, 2020 (EM) ..... 008323034-0005

(51) **LOC (13) Cl.** ..... **03-01**

(52) **U.S. Cl.**  
USPC ..... **D3/315**

(58) **Field of Classification Search**  
USPC ..... D3/315, 205, 206  
CPC ..... A47K 17/00; A45C 7/009; A45C 7/0077;  
A45C 3/04  
See application file for complete search history.

(56) **References Cited**

**U.S. PATENT DOCUMENTS**

D475,197 S \* 6/2003 Stoddard ..... D3/291  
D692,183 S \* 10/2013 Lai ..... D3/901

D740,566 S \* 10/2015 Szilagyi ..... D3/315  
D745,276 S \* 12/2015 Wang ..... D3/276  
D779,201 S \* 2/2017 Beilman ..... D3/288  
D839,585 S \* 2/2019 Beilman ..... D3/205  
D872,470 S \* 1/2020 Beilman ..... D3/901  
D873,003 S \* 1/2020 Beilman ..... D3/901  
D910,912 S \* 2/2021 Slate ..... D27/189  
D932,185 S \* 10/2021 Yoshikawa ..... D3/315

\* cited by examiner

*Primary Examiner* — Charles D Hanson

(74) *Attorney, Agent, or Firm* — Millen, White, Zelano & Branigan, PC; Ryan Pool

(57) **CLAIM**

The ornamental design for an organizer, as shown and described.

**DESCRIPTION**

FIG. 1 is a perspective view of the organizer showing my new design.

FIG. 2 is a back view thereof.

FIG. 3 is a front view thereof.

FIG. 4 is a side view thereof.

FIG. 5 is another side view thereof.

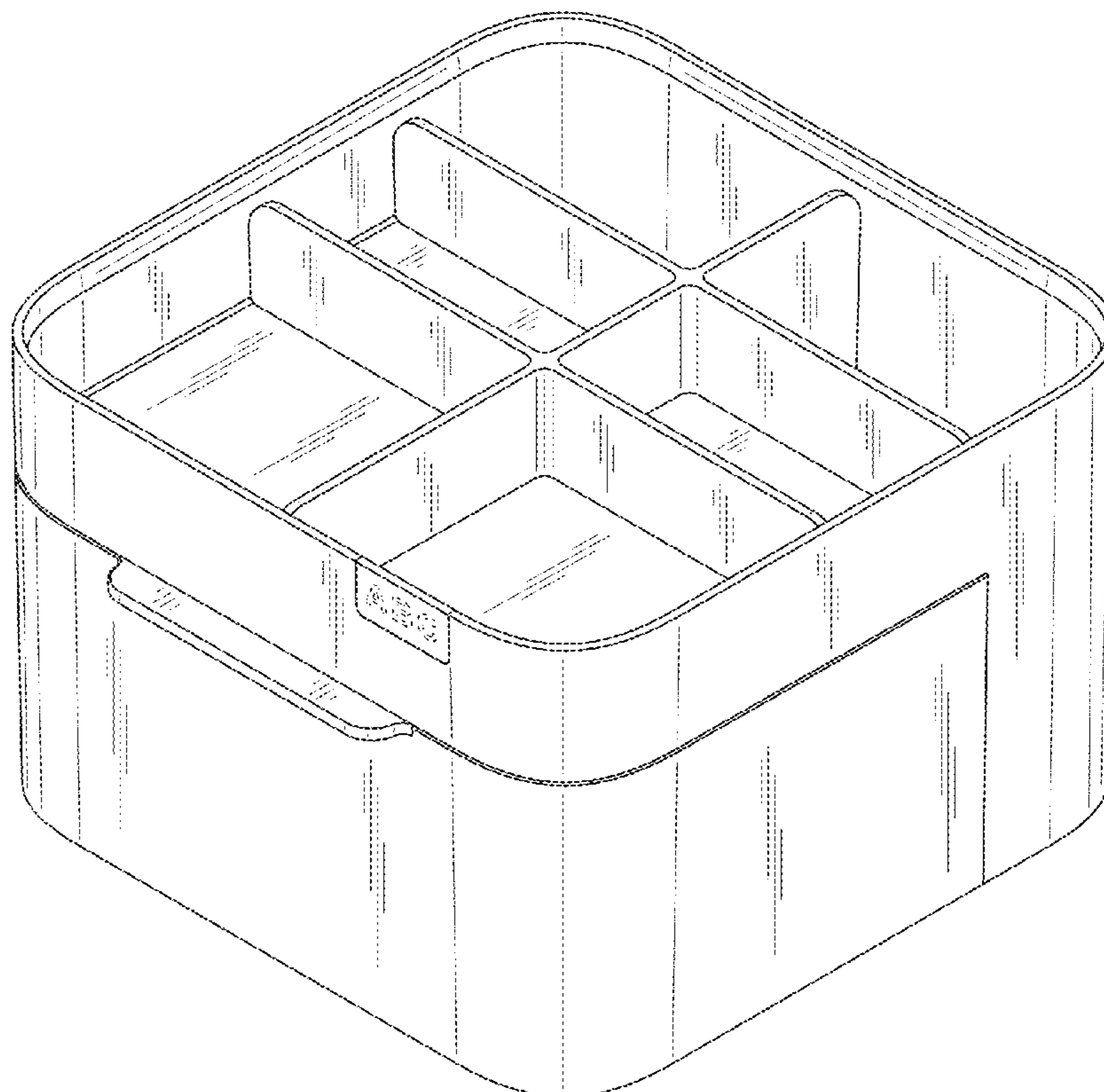
FIG. 6 is a top view thereof.

FIG. 7 is a bottom view thereof; and,

FIG. 8 is an exploded perspective view thereof.

The broken lines in the drawings illustrate portions of the organizer which form no part of the claimed design.

**1 Claim, 8 Drawing Sheets**



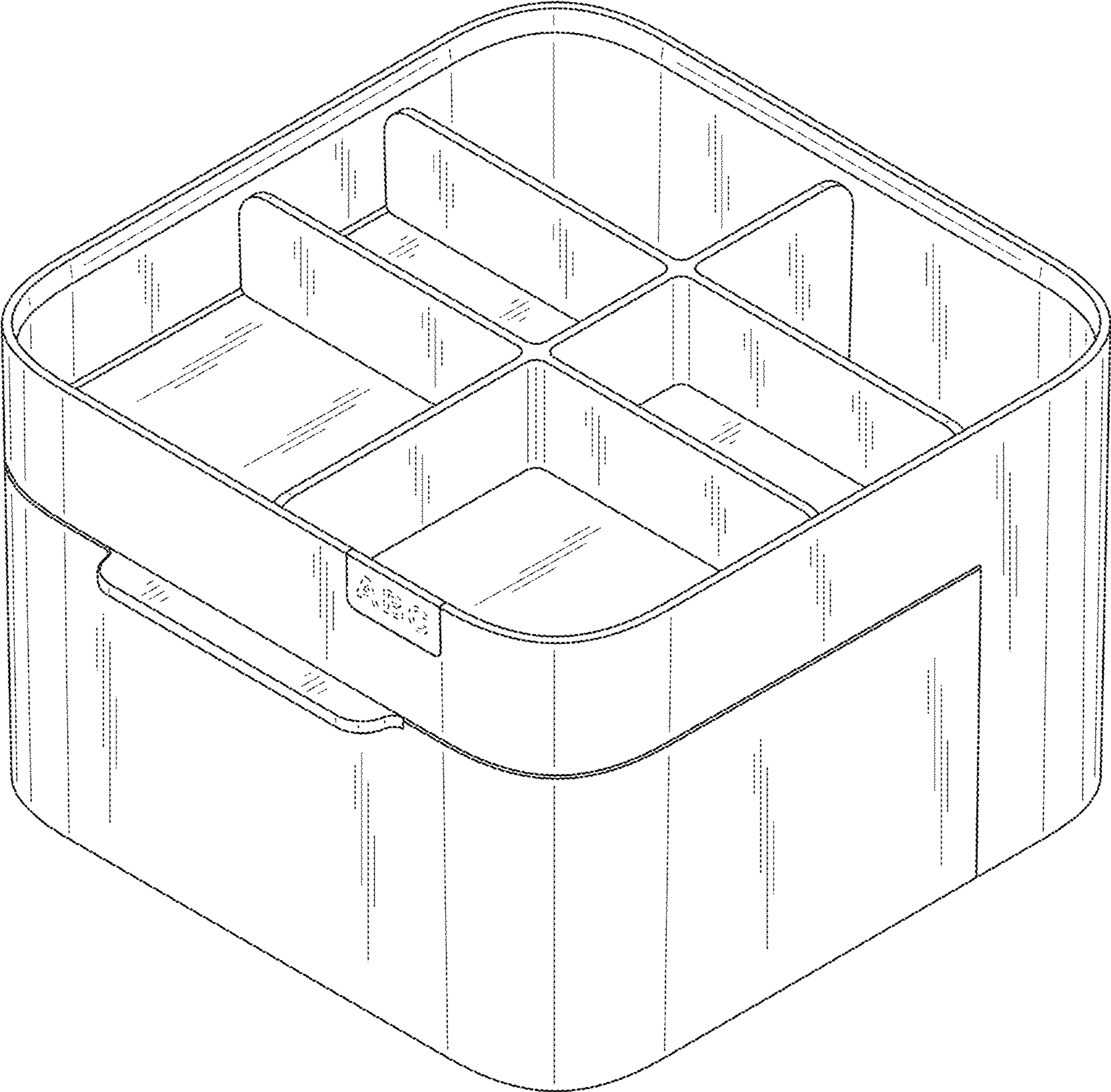


FIG. 1

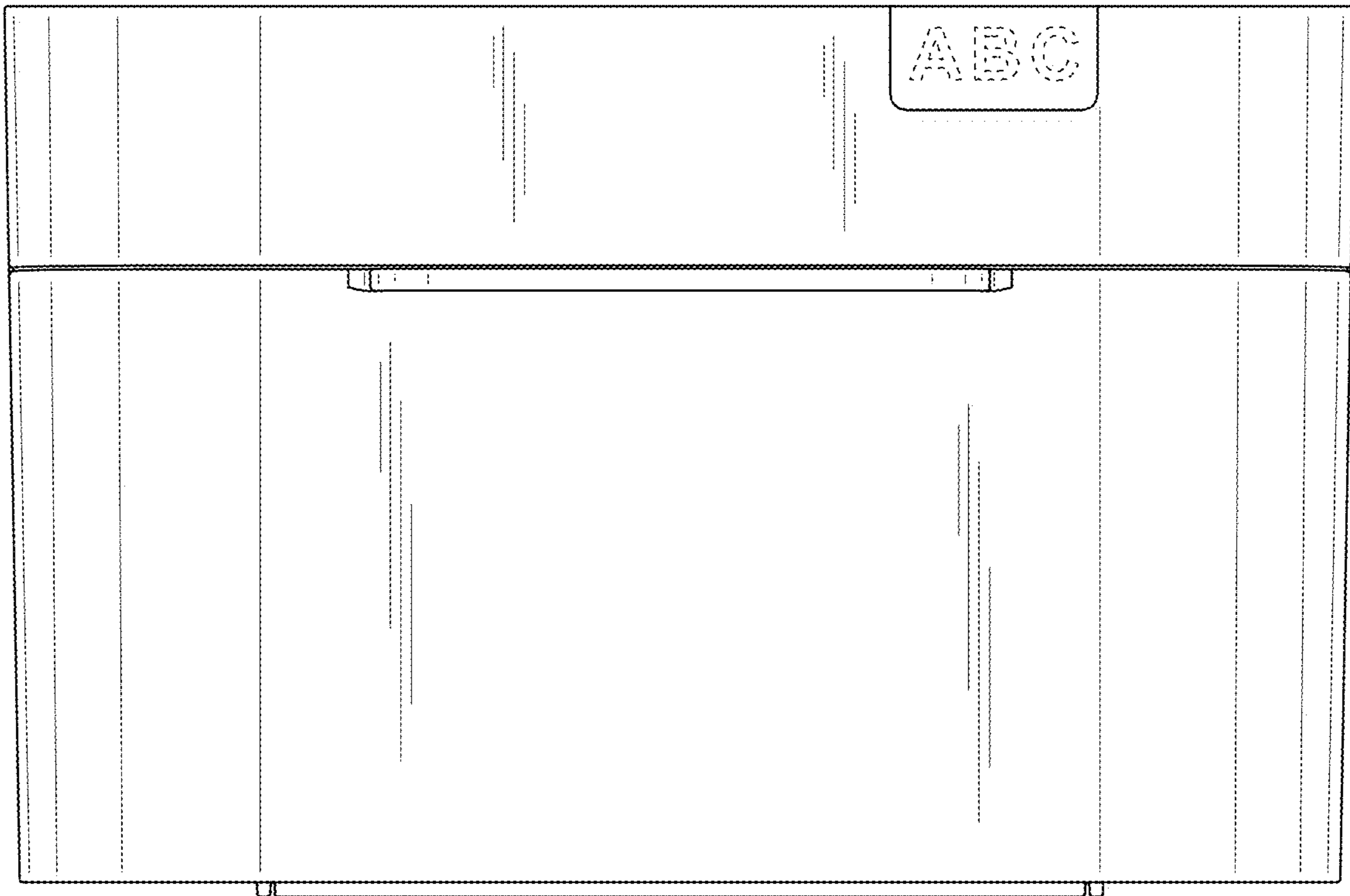


FIG. 2

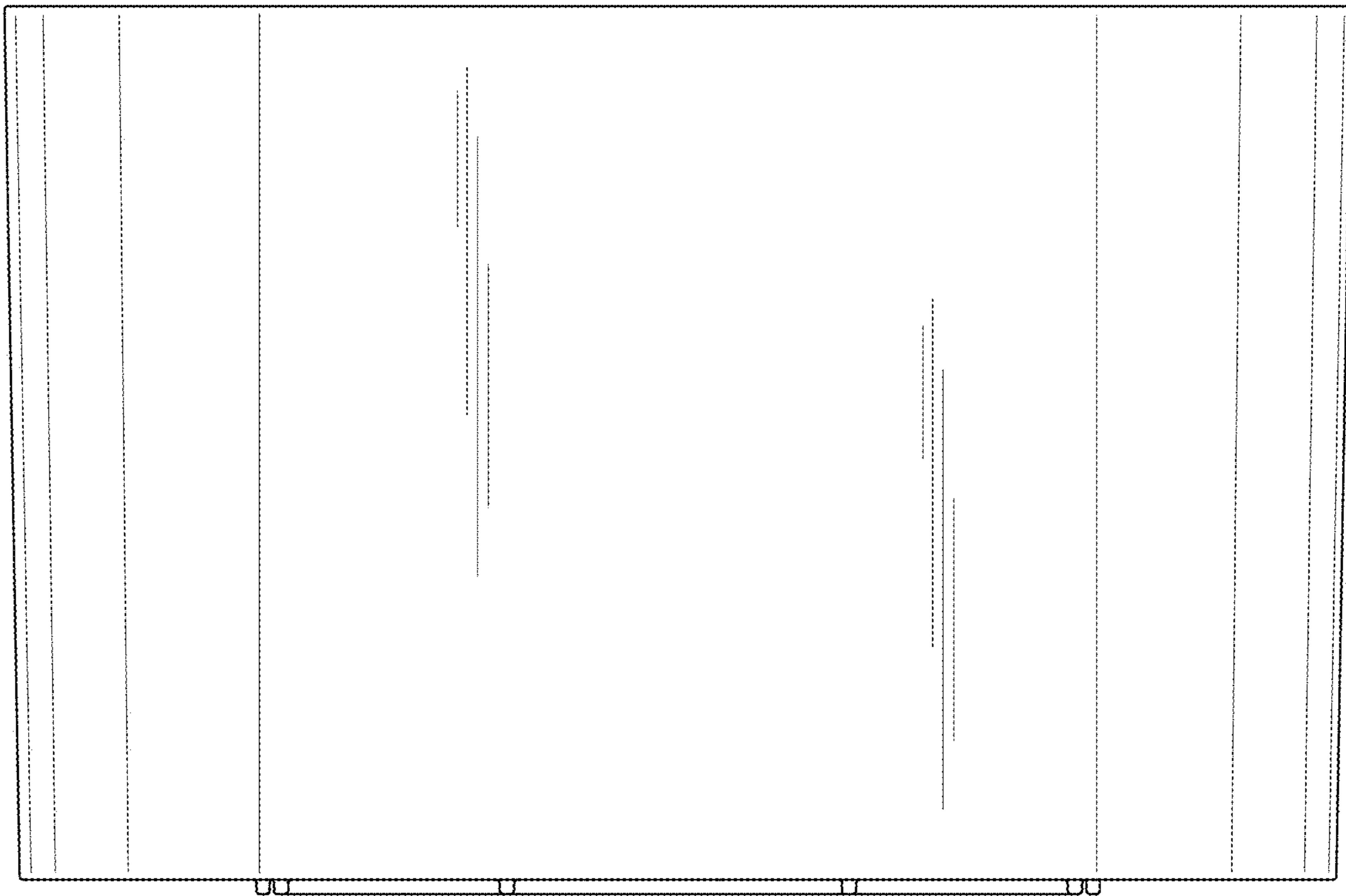


FIG. 3

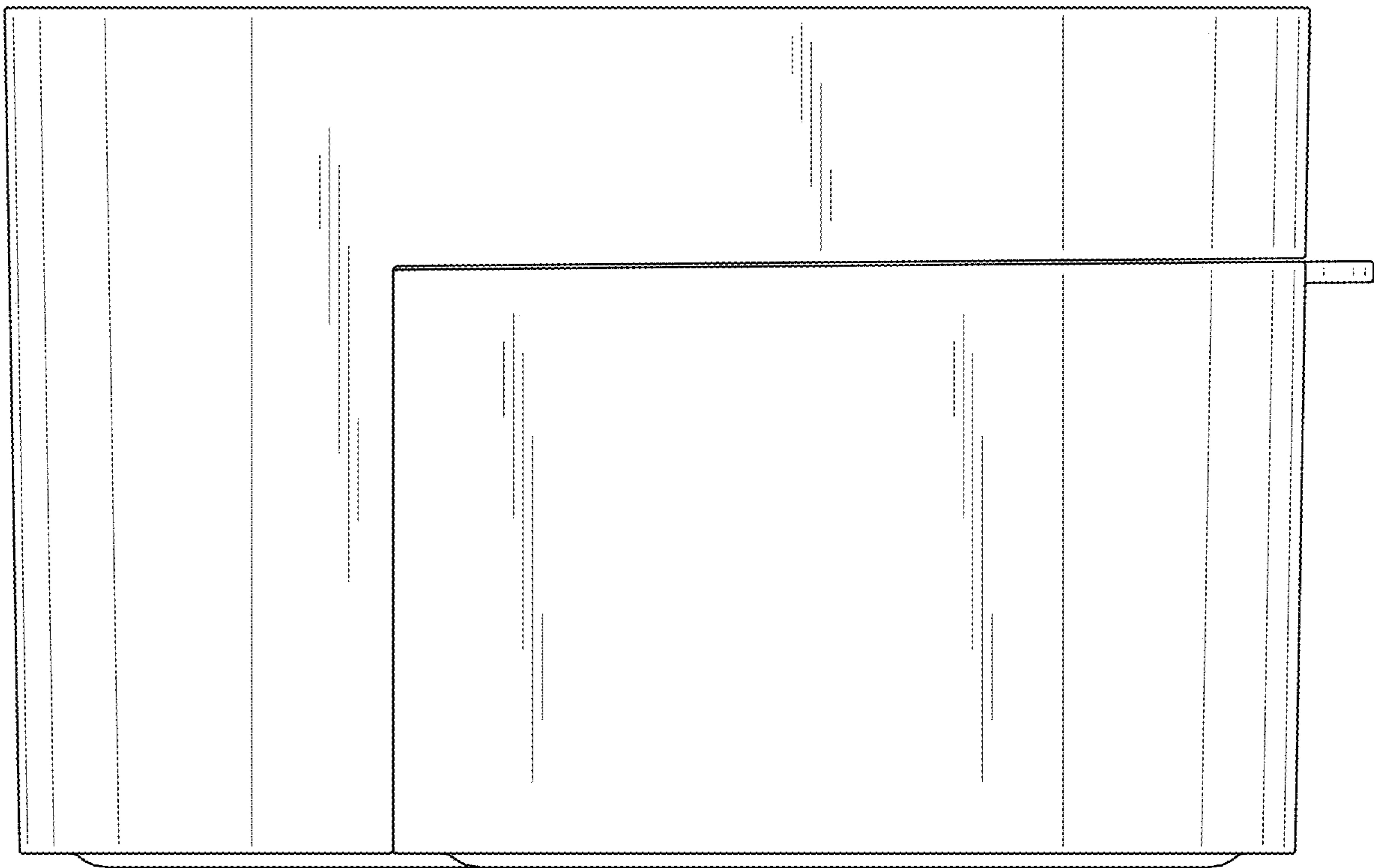


FIG. 4

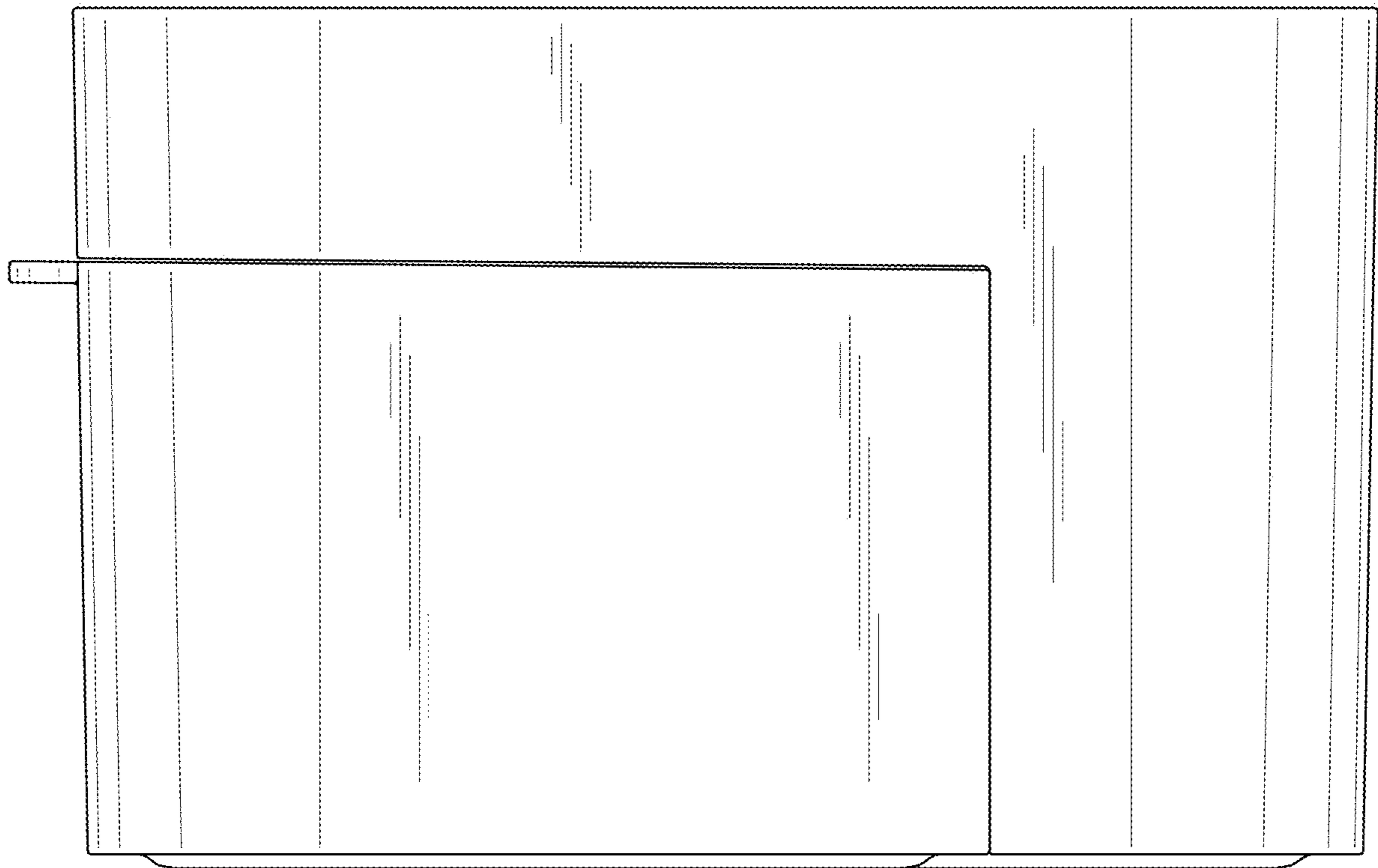


FIG. 5

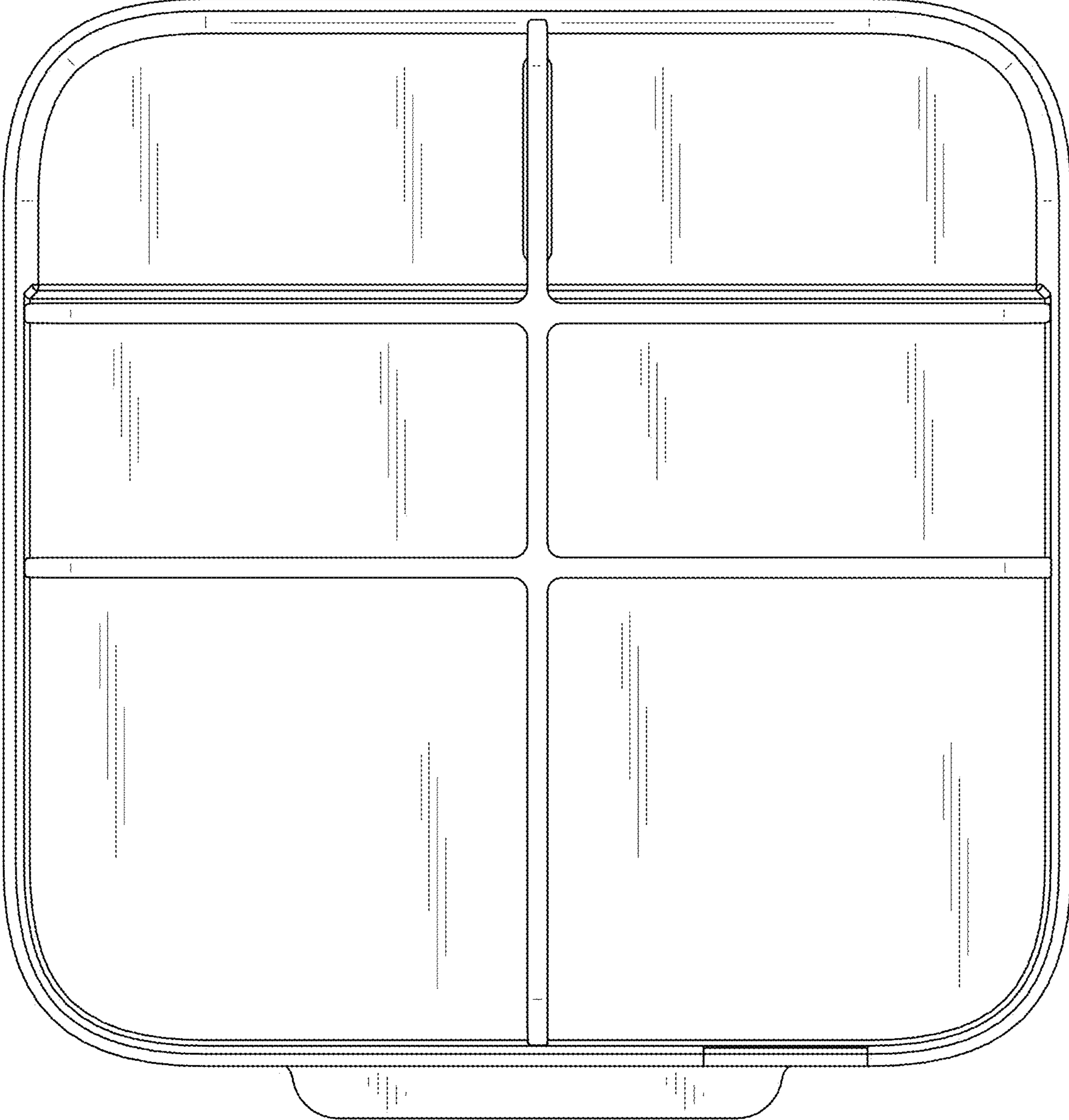


FIG. 6

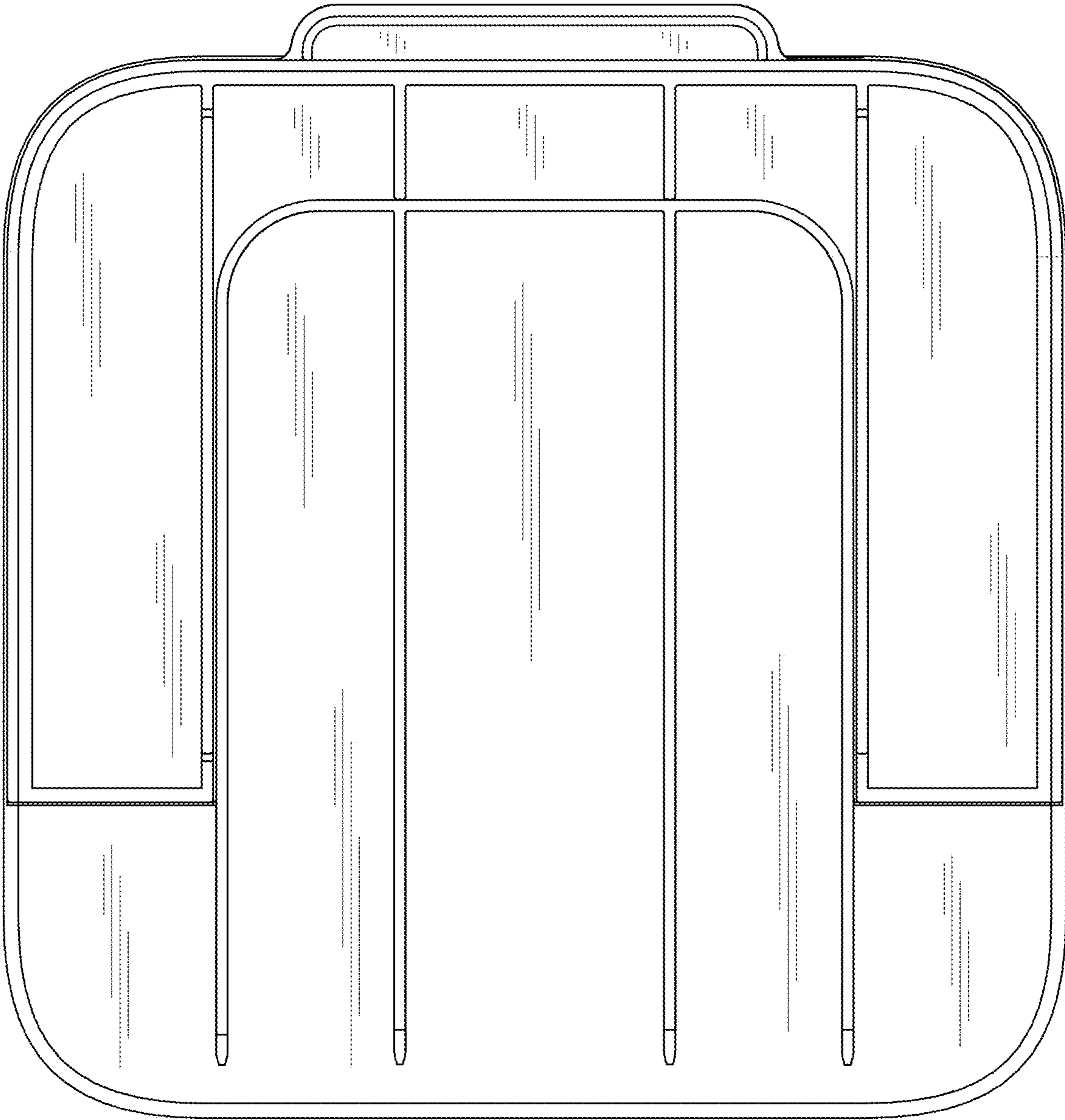


FIG. 7



FIG. 8

