



US00D959143S

(12) **United States Design Patent** (10) **Patent No.:** **US D959,143 S**
Laffon de Mazieres et al. (45) **Date of Patent:** **** Aug. 2, 2022**

(54) **EARBUDS CASE**

(71) Applicant: **Amazon Technologies, Inc.**, Seattle, WA (US)

(72) Inventors: **Emmanuel Laffon de Mazieres**, San Jose, CA (US); **Giles David Matthew McWilliam**, San Francisco, CA (US)

(73) Assignee: **Amazon Technologies, Inc.**, Seattle, WA (US)

(**) Term: **15 Years**

(21) Appl. No.: **29/817,165**

(22) Filed: **Nov. 29, 2021**

Related U.S. Application Data

(62) Division of application No. 29/735,880, filed on May 26, 2020, now Pat. No. Des. 939,830.

(51) **LOC (13) Cl.** **03-01**

(52) **U.S. Cl.**
USPC **D3/294**

(58) **Field of Classification Search**
USPC D3/207, 208, 209, 210, 211, 212, 263, D3/271.6, 273, 294, 295, 299, 302, 303, D3/901, 903, 905
CPC A61L 2/10; A61C 17/224; A01K 97/06; A45C 13/02; A45C 11/24; A45C 11/38; A45C 2011/001; A61J 1/03
See application file for complete search history.

(56) **References Cited**

U.S. PATENT DOCUMENTS

D818,268 S 5/2018 Akana et al.
D821,970 S * 7/2018 Loermann D13/107
D826,152 S 8/2018 Christiansen
D826,852 S 8/2018 Hung
D838,480 S * 1/2019 Son D3/294
D865,663 S * 11/2019 Yao D13/108

D870,451 S * 12/2019 Birger D14/223
D873,217 S * 1/2020 Zhang D3/294
D878,045 S 3/2020 Akana et al.
D878,048 S * 3/2020 Wang D3/294
D893,184 S * 8/2020 Liu D3/294

(Continued)

OTHER PUBLICATIONS

Apple AirPods Pro, announced Oct. 28, 2019 [online], [site visited Sep. 20, 2021]. Available from internet, URL: <https://www.amazon.com/Apple-MWP22AM-A-AirPods-Pro/dp/B07ZPC9QD4/> (Year: 2019).

(Continued)

Primary Examiner — Kevin K Rudzinski
Assistant Examiner — Amber J Rabie
(74) *Attorney, Agent, or Firm* — Lee & Hayes, P.C.

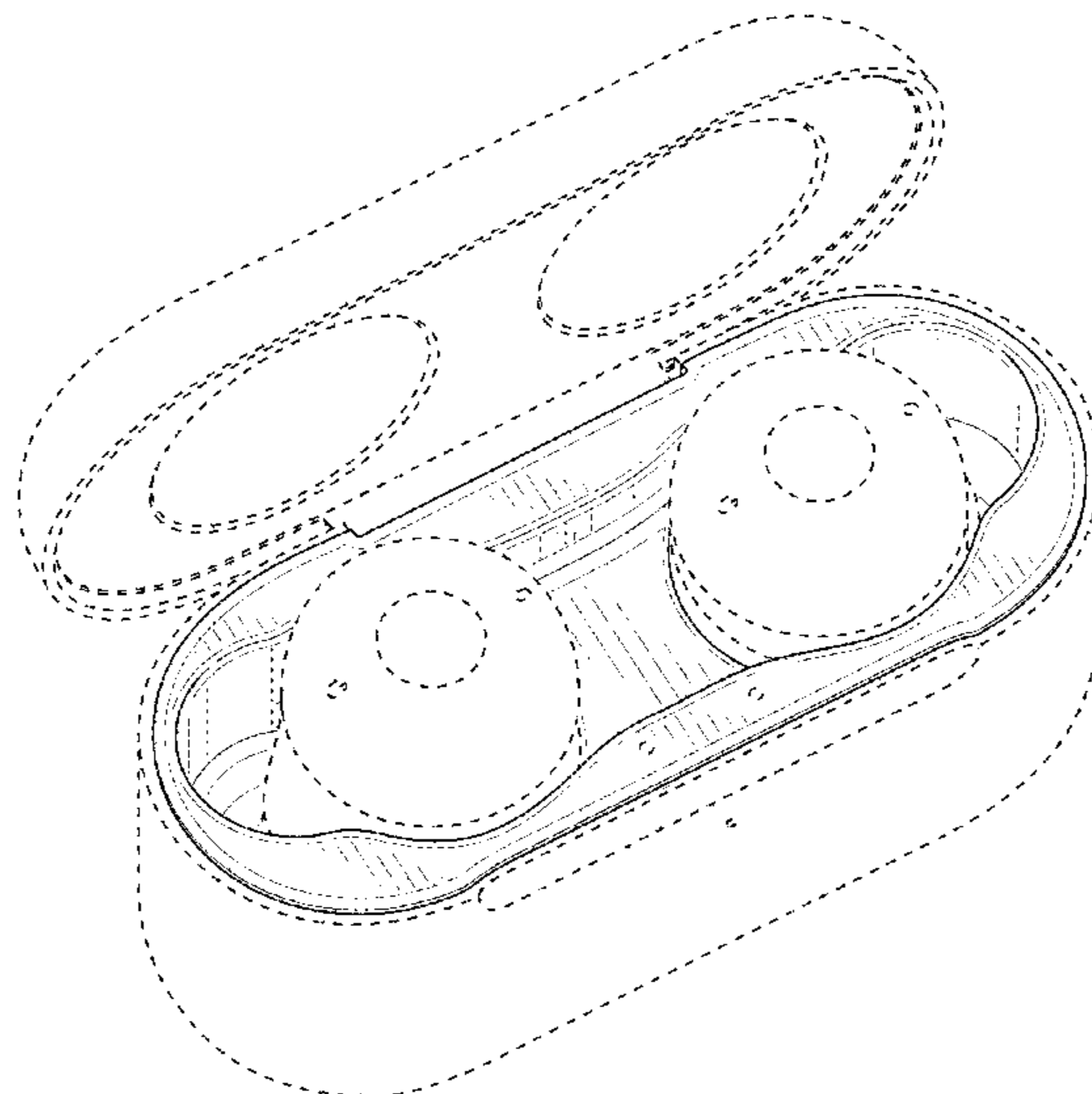
(57) **CLAIM**

The ornamental design for an earbuds case, as shown and described.

DESCRIPTION

FIG. 1 is a top perspective view of an earbuds case in an opened state. The earbuds shown in FIG. 1 are included to provide environmental context of the design and form no part of the claimed design;
FIG. 2 is a top perspective view of the earbuds case in an opened state without the disclaimed environment of the earbuds;
FIG. 3 is a front view thereof;
FIG. 4 is a back view thereof;
FIG. 5 is a left-side view thereof;
FIG. 6 is a right-side view thereof;
FIG. 7 is a top view thereof; and,
FIG. 8 is a bottom view thereof.
The dashed broken lines depict portions of the earbuds case and environment of the earbuds case that form no part of the claimed design.

1 Claim, 8 Drawing Sheets



(56)

References Cited

U.S. PATENT DOCUMENTS

D902,150 S * 11/2020 Sun D13/108
D904,025 S * 12/2020 Ma D3/294
D908,084 S * 1/2021 He D3/294
D931,258 S * 9/2021 Ding D3/274
D932,428 S * 10/2021 Reimann D3/294
2018/0014436 A1 * 1/2018 Milevski H05K 9/0007

OTHER PUBLICATIONS

Chinese Office Action dated Jun. 8, 2021 for Chinese Patent Application No. 202030718890.6, a counterpart foreign application of U.S. Appl. No. 29/735,880, 1 page.

Luv TB100 Wireless Earbuds, announced Dec. 19, 2019 [online], [site visited Sep. 20, 2021]. Available from internet, URL: <https://www.amazon.com/Hands-Free-Microphone-Waterproof-Protection-High-Fidelity/dp/B082XGZ455/?th=1> > (Year: 2019).

Indian Office Action dated Dec. 21, 2020 for Indian Patent Application No. 335375-001, a counterpart foreign application of U.S. Appl. No. 29/735,880, 2 pages.

Translated Japanese Office Action dated Feb. 12, 2021 for Japanese patent application No. 2020-025002, a counterpart foreign application of U.S. Appl. No. 29/735,880, 5 pages.

“Wireless Stereo Inside Phone RZ-S50W Product Overview”, retrieved from <<https://panasonic.jp/headphone/p-db/RZ-S50W.html>>, 3 pages
A design of wireless earphone case (Publicly known design No. RJ02009617 of Japan Patent Office).

* cited by examiner

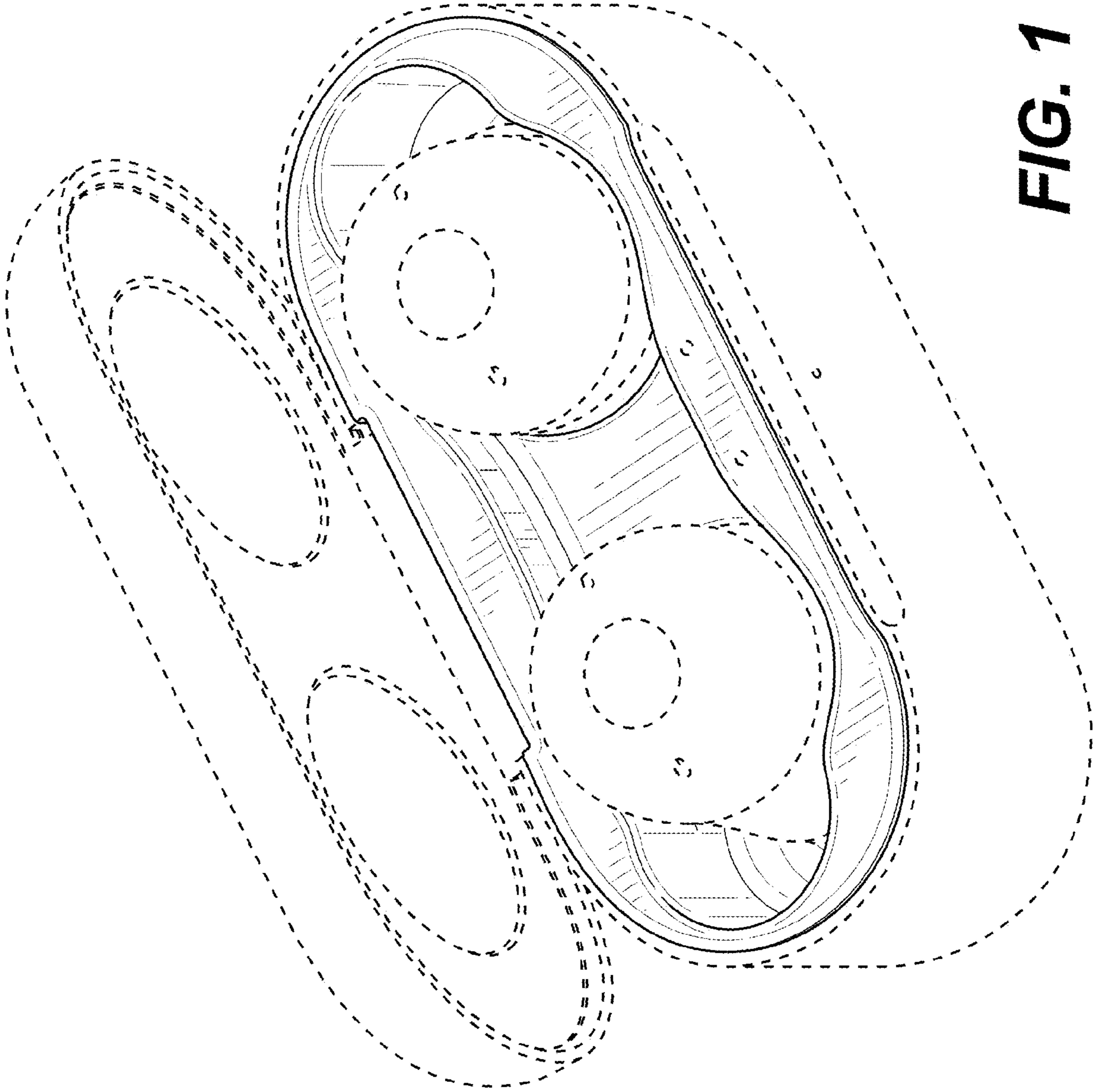


FIG. 1

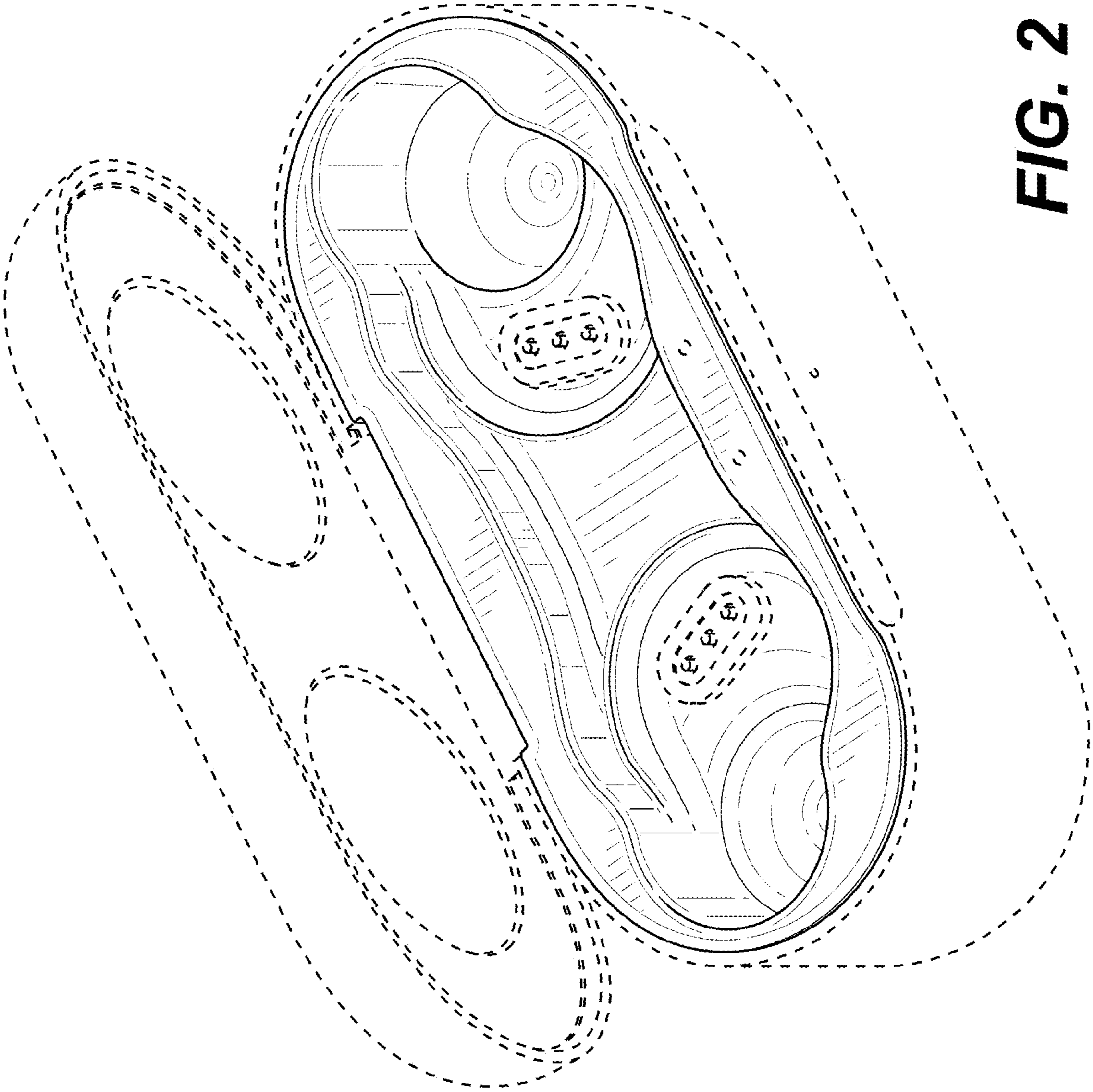


FIG. 2

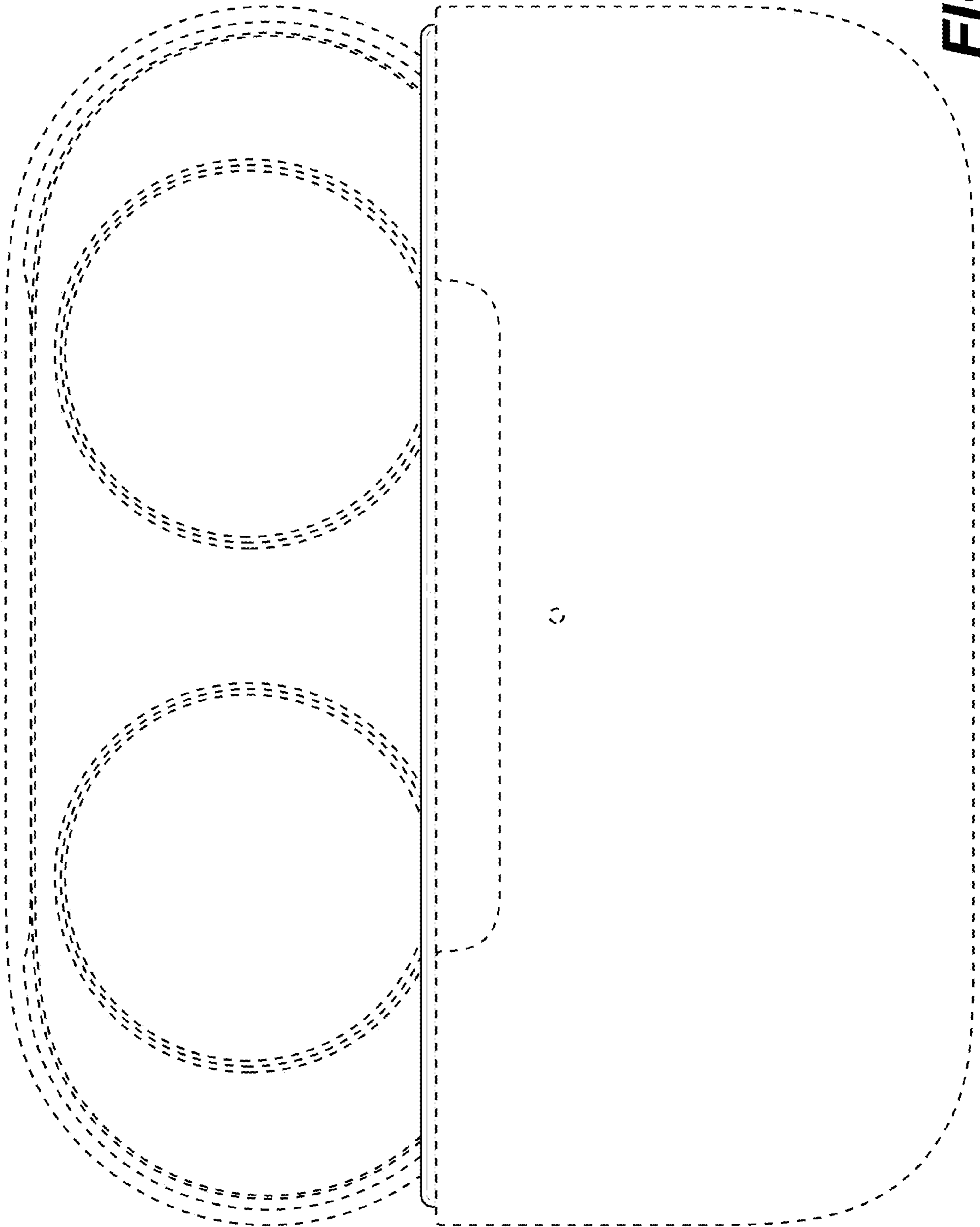


FIG. 3

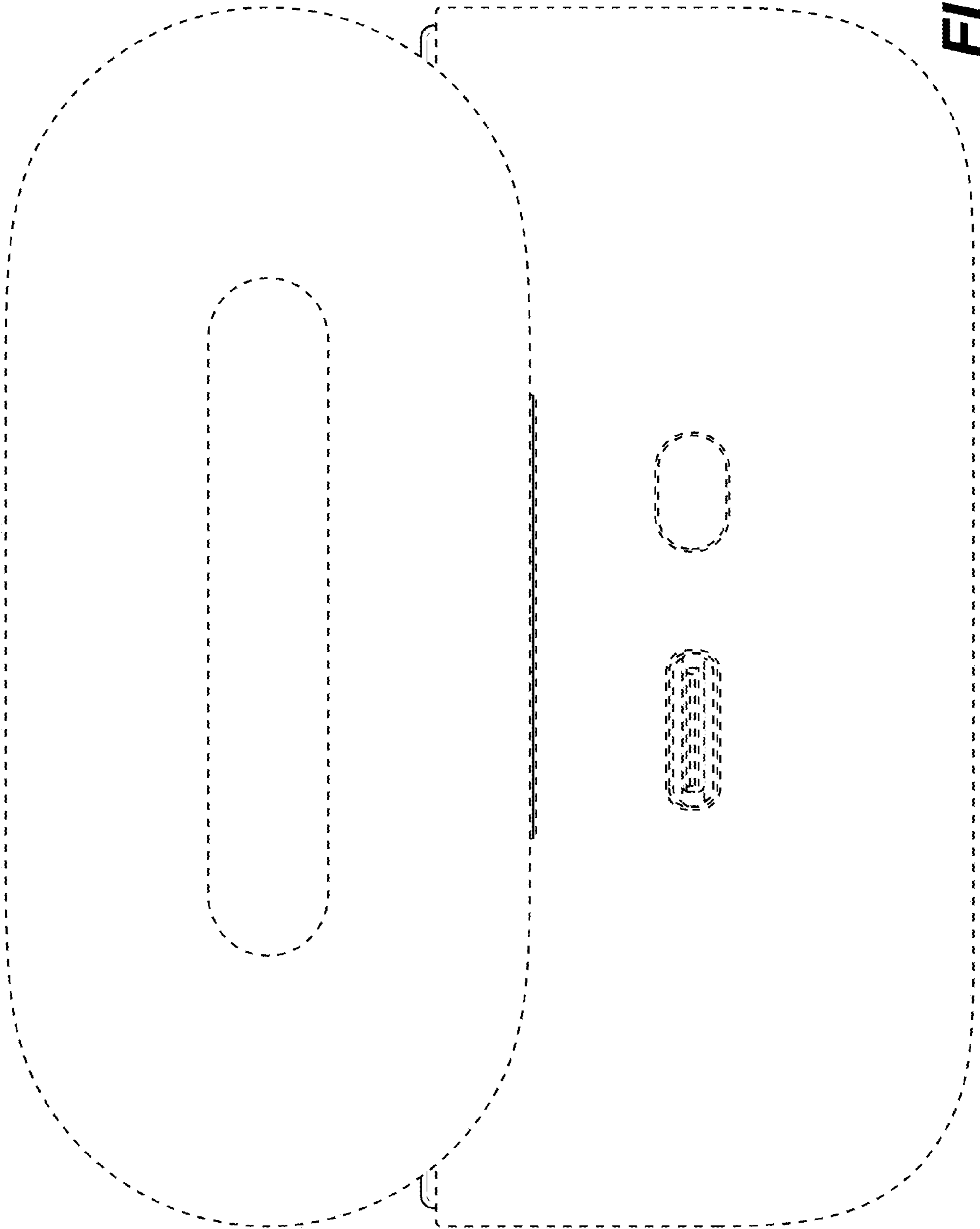


FIG. 4

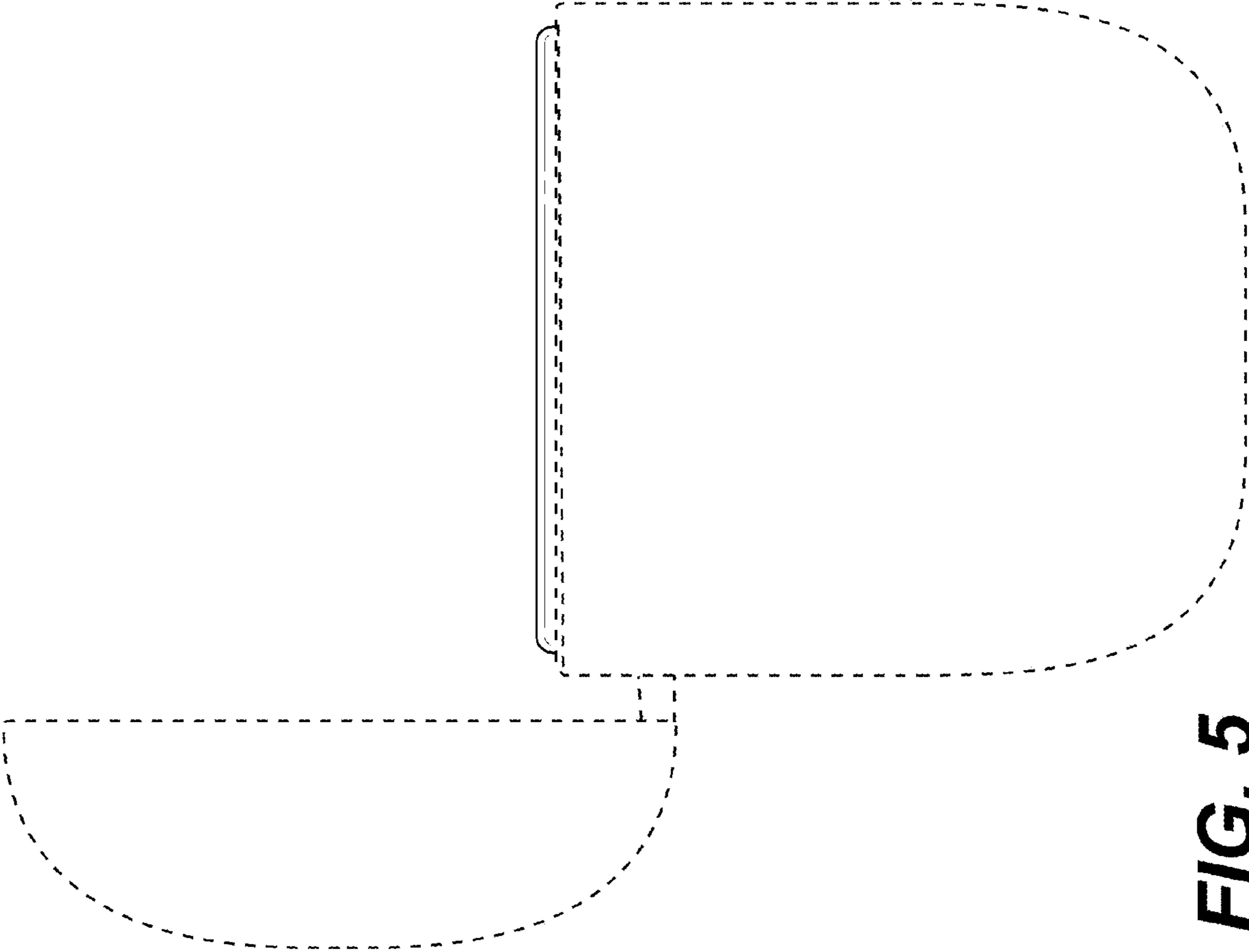


FIG. 5

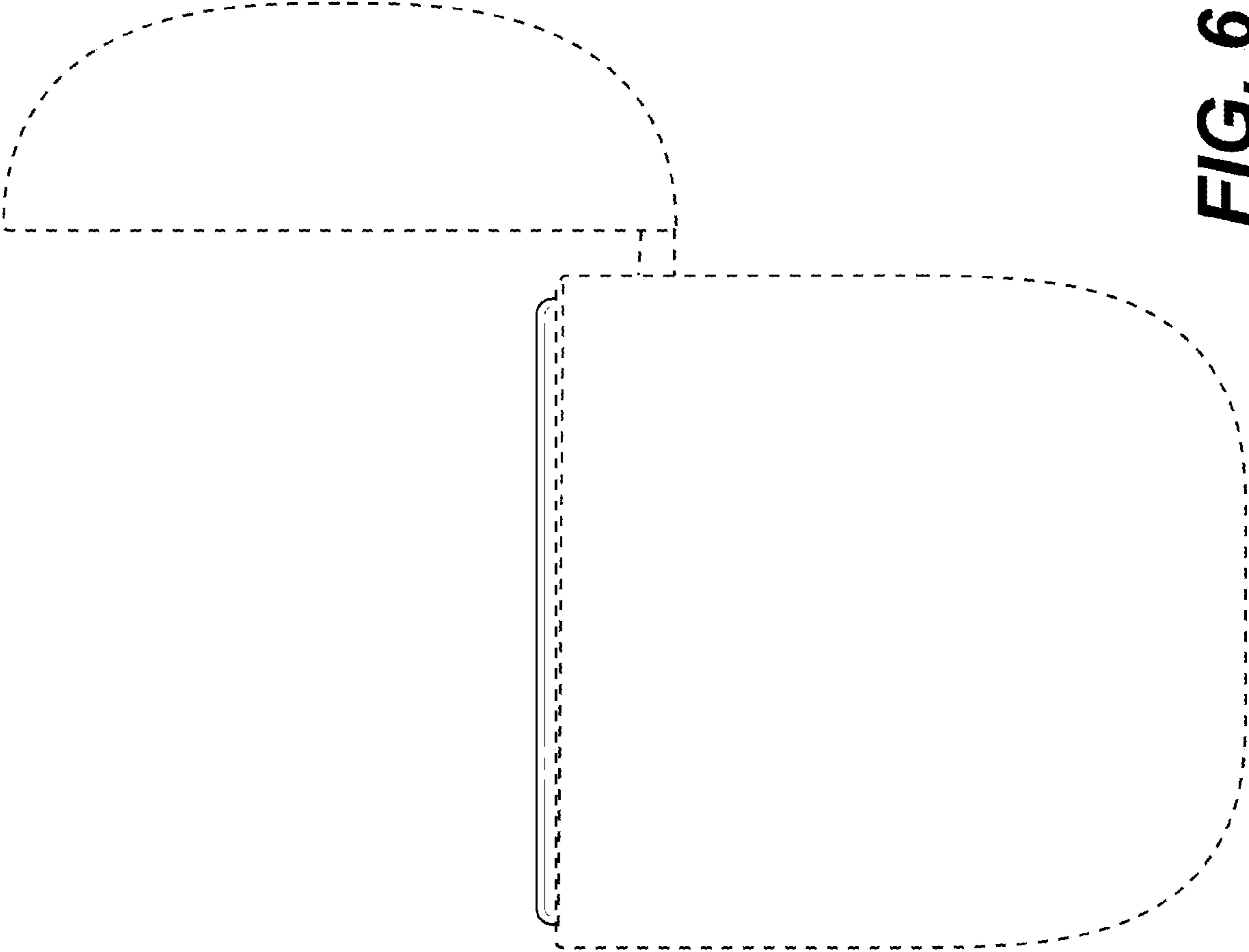


FIG. 6

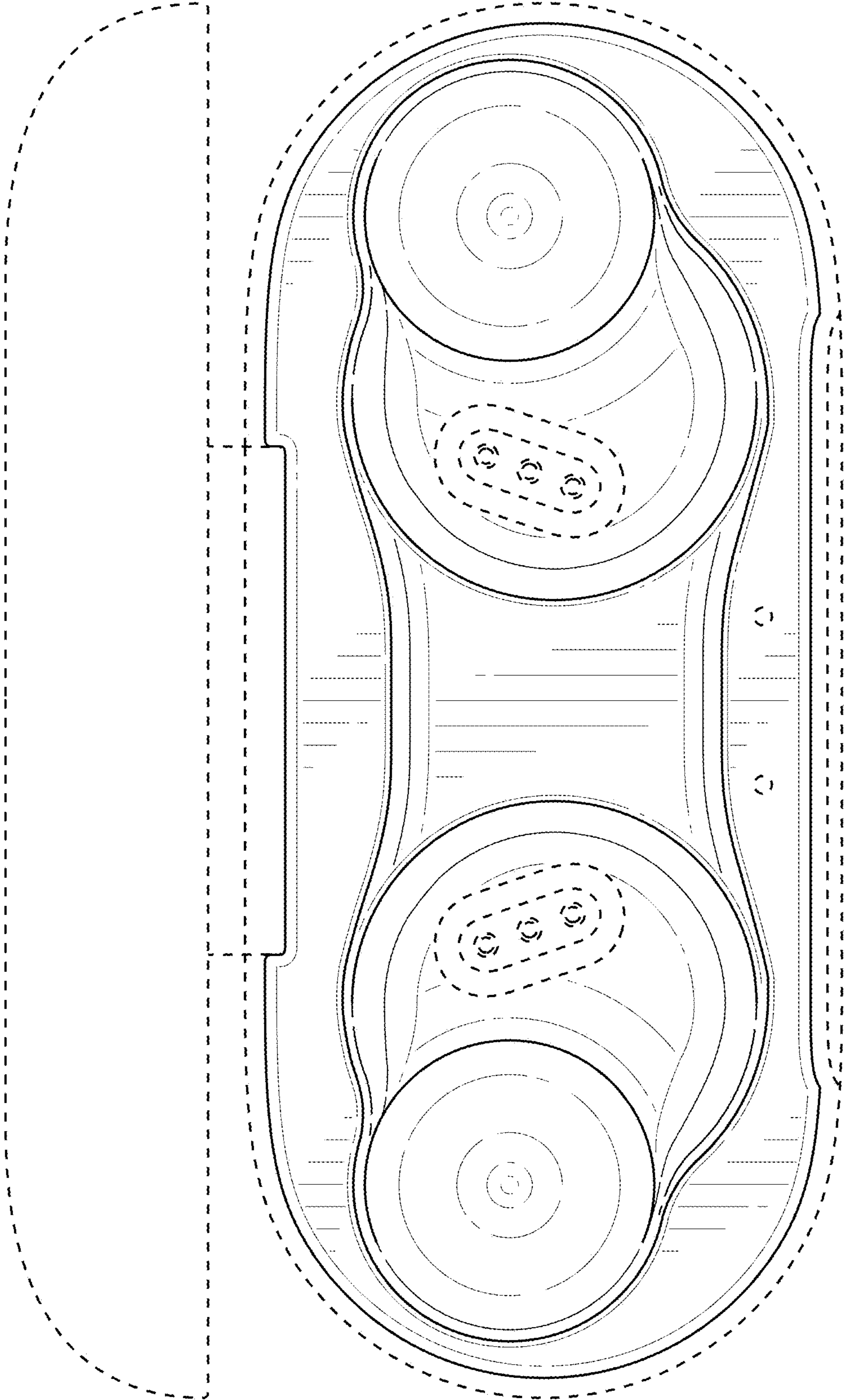


FIG. 7

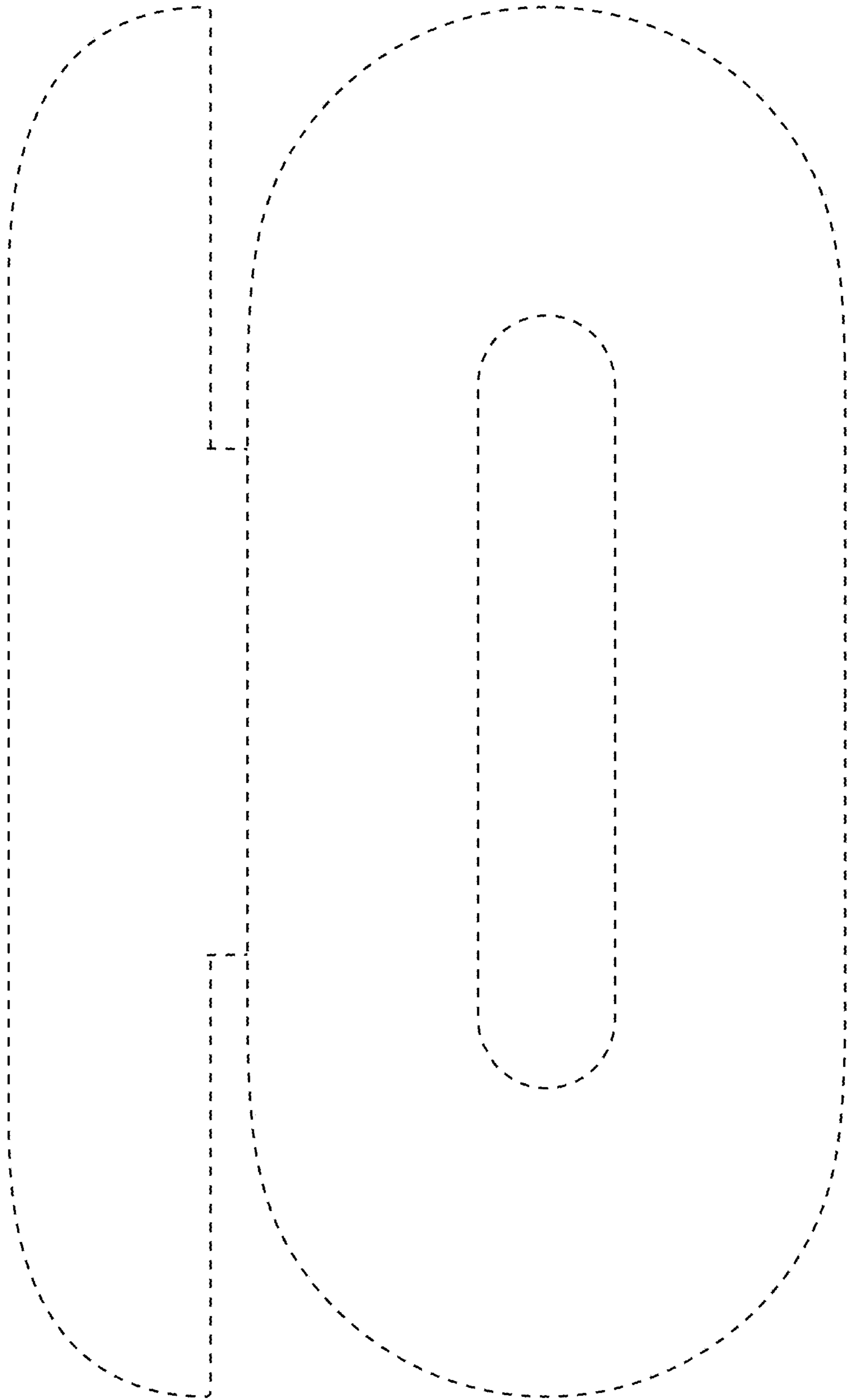


FIG. 8