

US00D959142S

(12) **United States Design Patent**  
**Huang**

(10) **Patent No.:** **US D959,142 S**

(45) **Date of Patent:** **\*\* Aug. 2, 2022**

(54) **TOOL BOX**

(71) Applicant: **BIRDSKY CORPORATION**, Taipei (TW)

(72) Inventor: **Yao-Ju Huang**, Taipei (TW)

(73) Assignee: **BIRDSKY CORPORATION**, Taipei (TW)

(\*\*) Term: **15 Years**

(21) Appl. No.: **29/768,174**

(22) Filed: **Jan. 28, 2021**

(51) **LOC (13) Cl.** ..... **03-01**

(52) **U.S. Cl.**  
USPC ..... **D3/294; D3/905**

(58) **Field of Classification Search**  
USPC ..... D3/262, 273, 276, 282, 284, 294, 298, D3/905

CPC ... A45C 11/00; A45C 2013/026; B25H 3/003; B25H 3/02

See application file for complete search history.

(56) **References Cited**

**U.S. PATENT DOCUMENTS**

D395,754 S \* 7/1998 Sautter ..... D3/294  
D400,011 S \* 10/1998 Palmer ..... D3/294

D731,793 S \* 6/2015 Houghton ..... D3/294  
D823,593 S \* 7/2018 Giannopoulos ..... D3/203.1  
D855,320 S \* 8/2019 Olschan ..... D3/294  
D873,018 S \* 1/2020 Seibert ..... D3/905  
D874,142 S \* 2/2020 Anderson ..... D3/294  
D883,668 S \* 5/2020 Sakai ..... D3/294  
D913,681 S \* 3/2021 Grimsley ..... D3/203.1  
D935,769 S \* 11/2021 Kokoruda ..... D3/262  
D943,826 S \* 2/2022 Vennemeyer ..... D28/7

\* cited by examiner

*Primary Examiner* — April Rivas

(74) *Attorney, Agent, or Firm* — Leong C. Lei

(57) **CLAIM**

The ornamental design for a tool box, as shown and described.

**DESCRIPTION**

FIG. 1 is a front and top perspective view of a tool box showing my new design;

FIG. 2 is a front elevational view thereof;

FIG. 3 is a rear elevational view thereof;

FIG. 4 is a left side elevational view thereof;

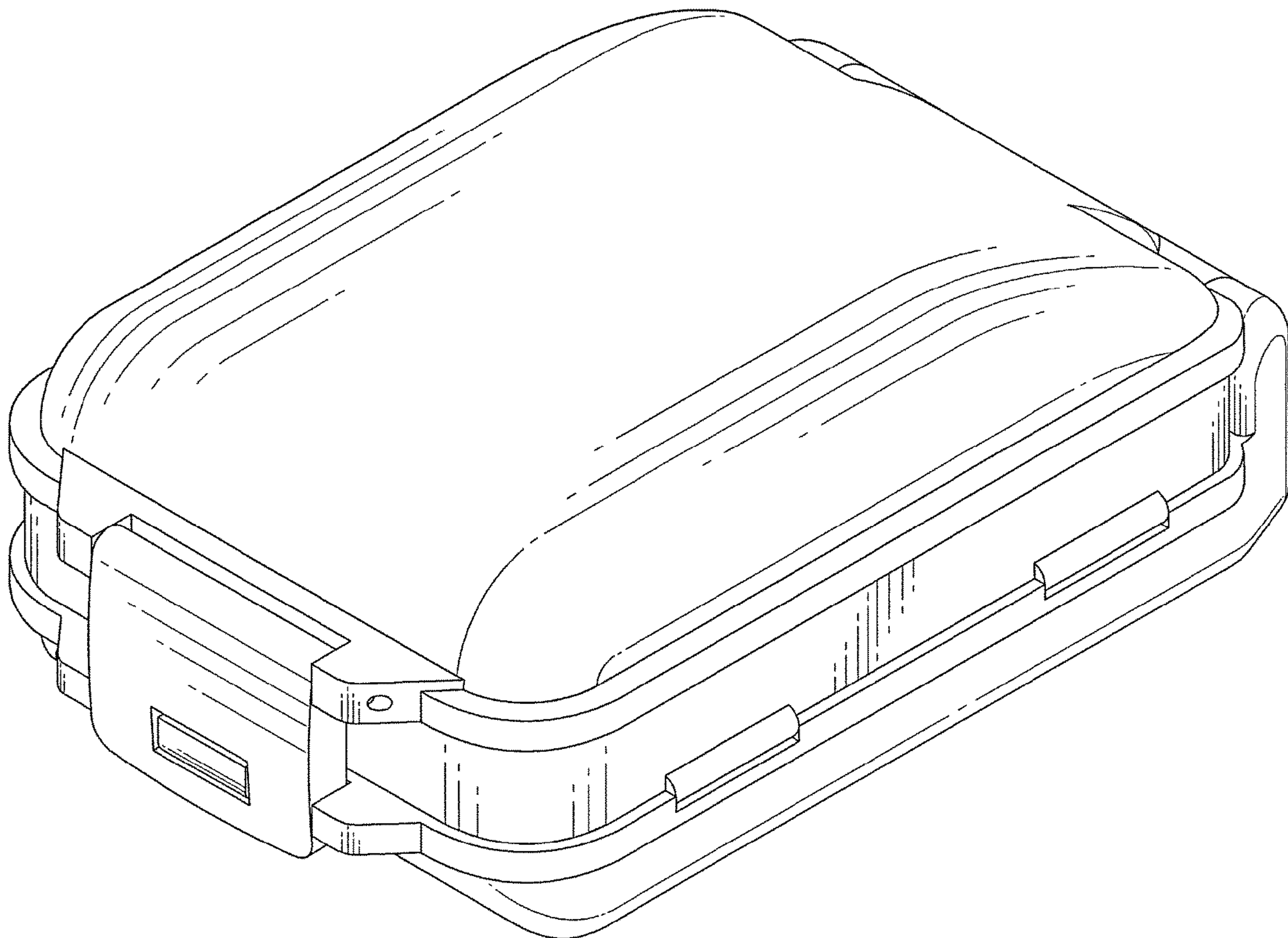
FIG. 5 is a right side elevational view thereof;

FIG. 6 is a top plan view thereof; and

FIG. 7 is a bottom plan view thereof; and,

FIG. 8 is a rear and top perspective view thereof.

**1 Claim, 7 Drawing Sheets**



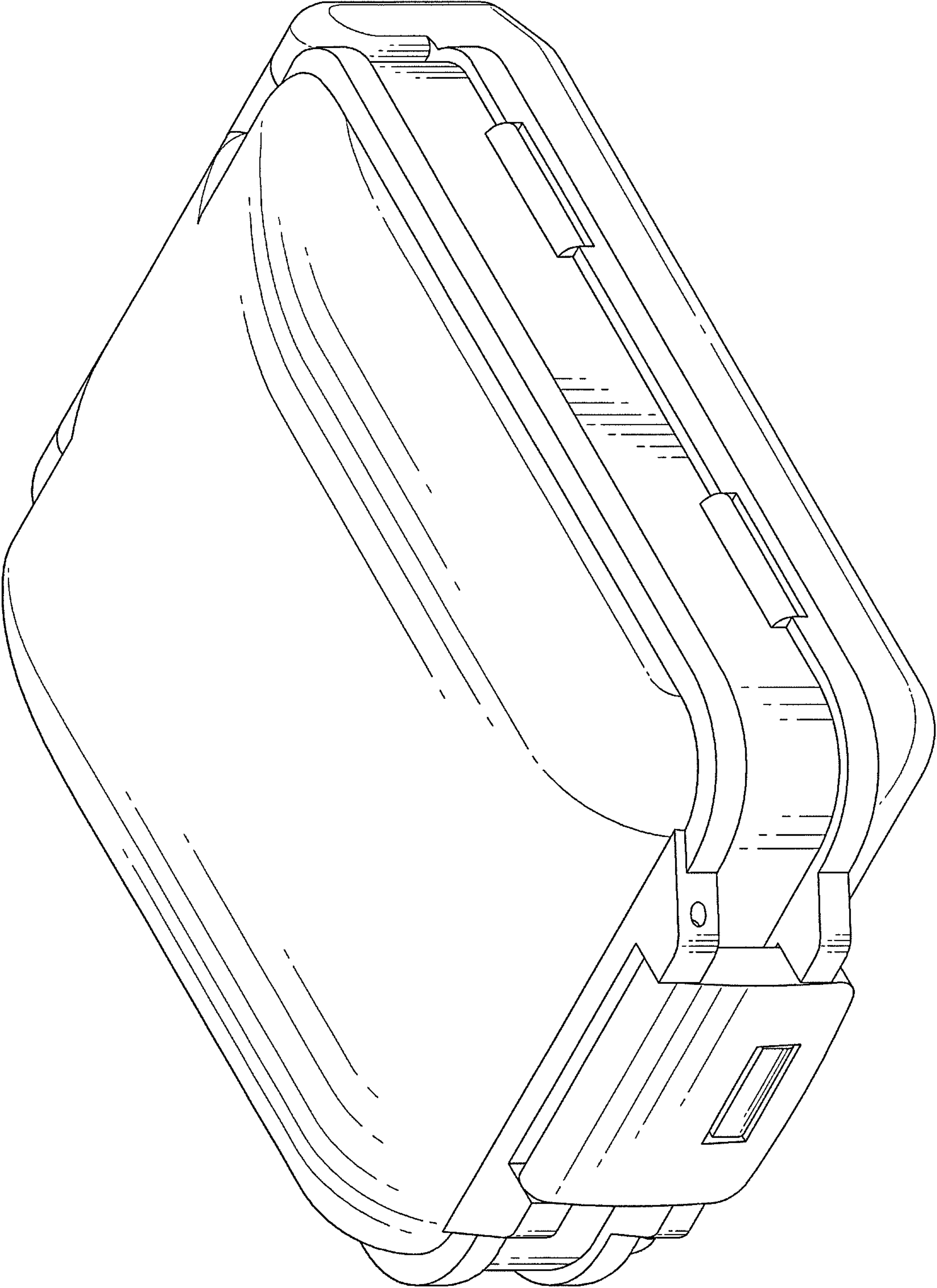


FIG. 1

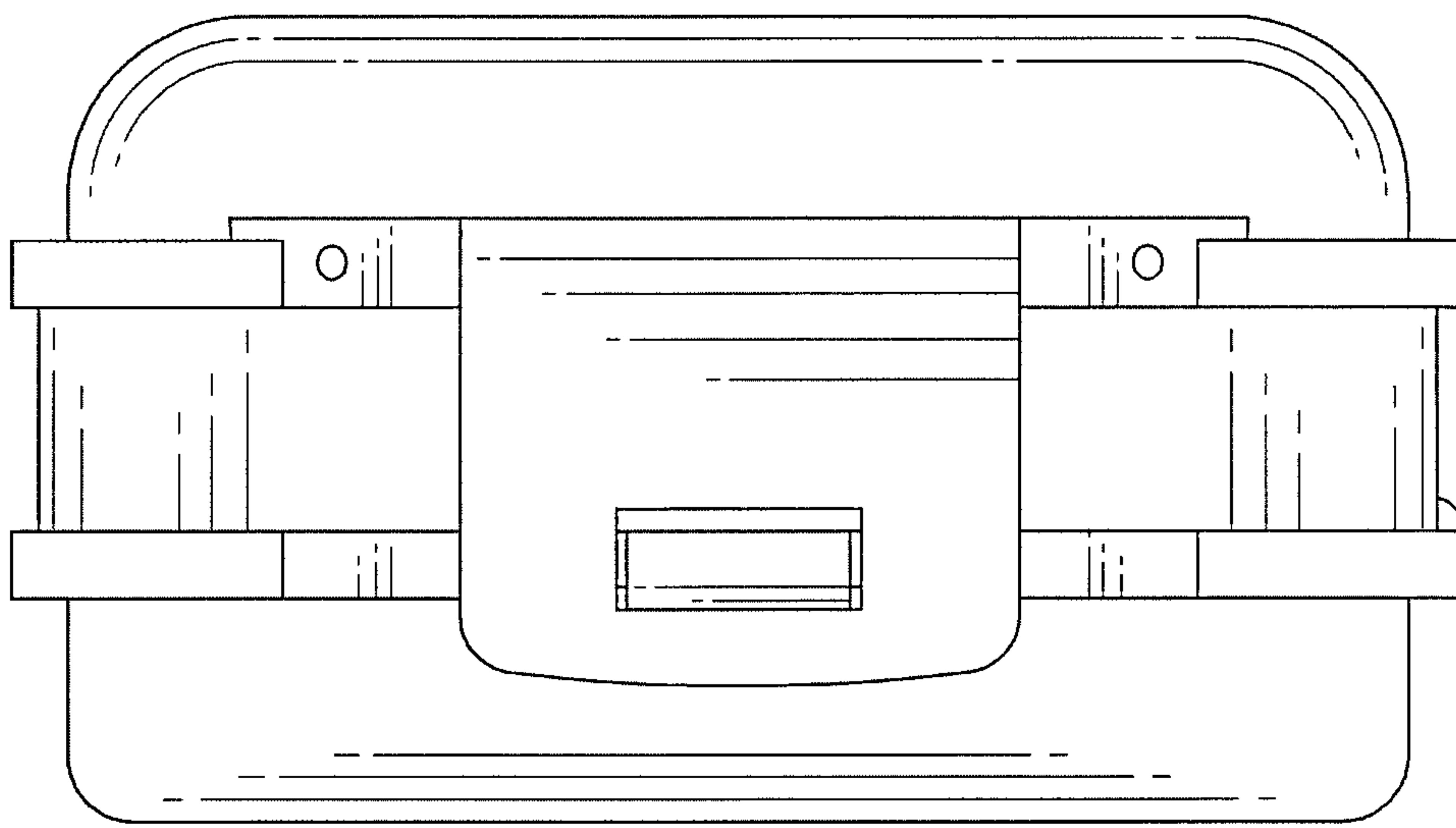


FIG. 2

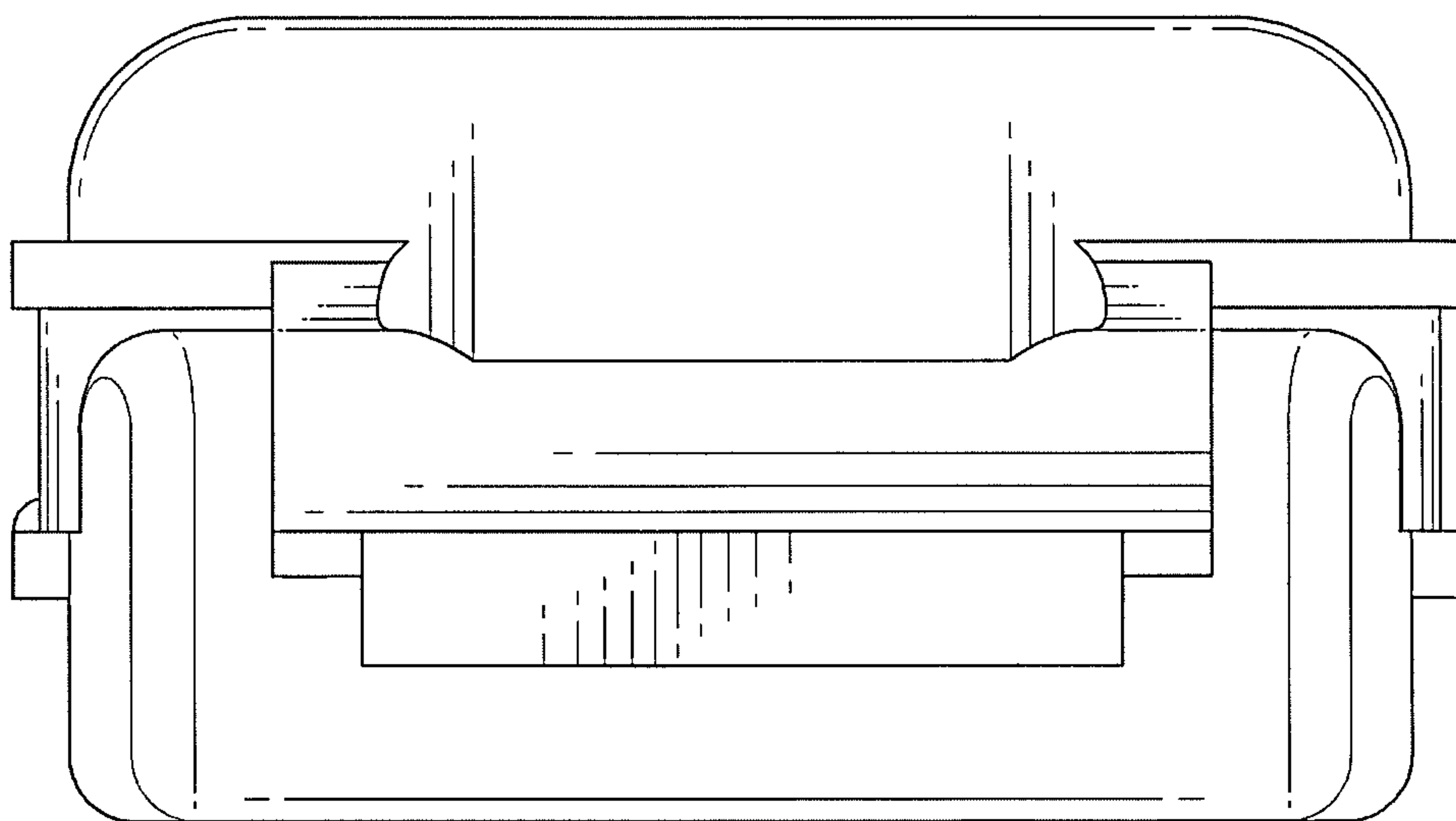


FIG. 3

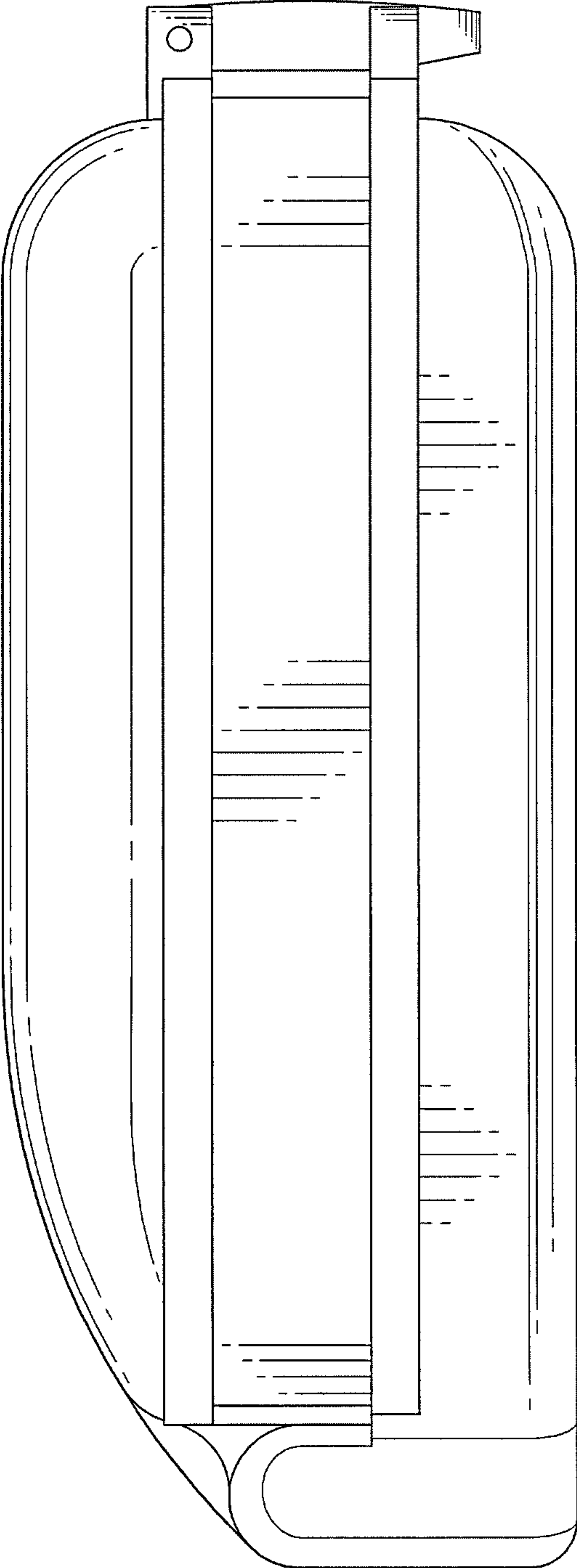


FIG. 4

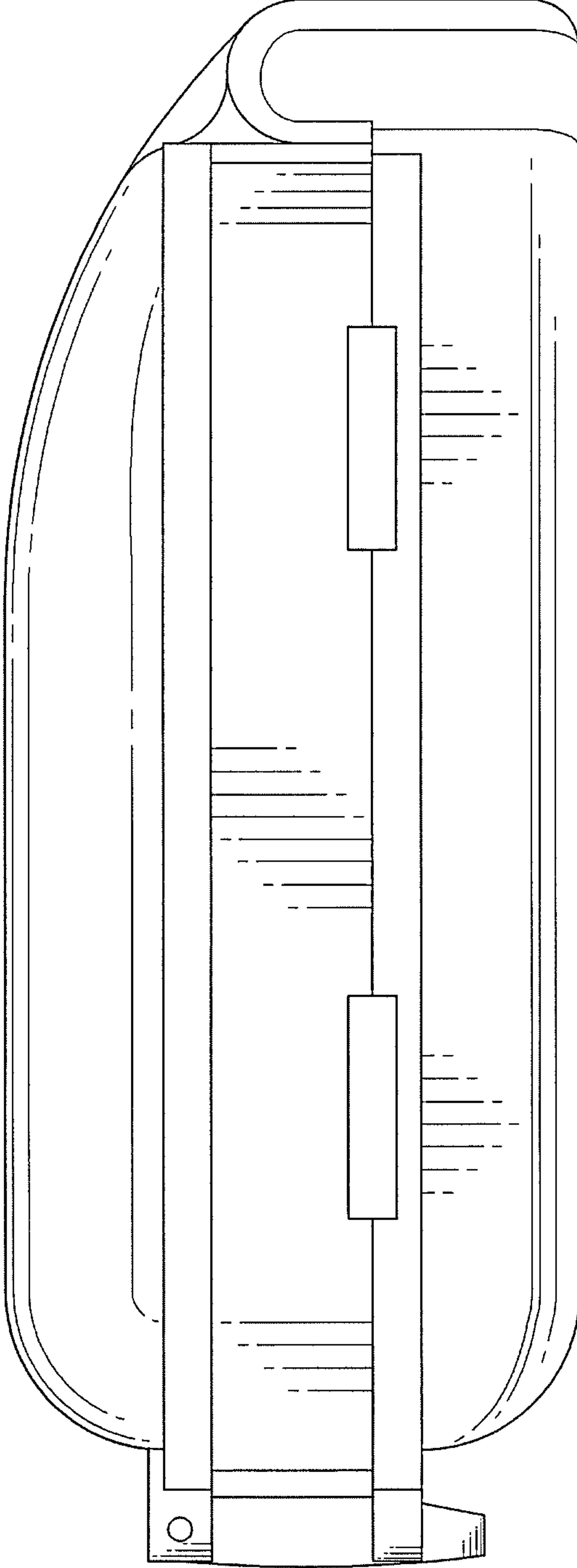


FIG. 5



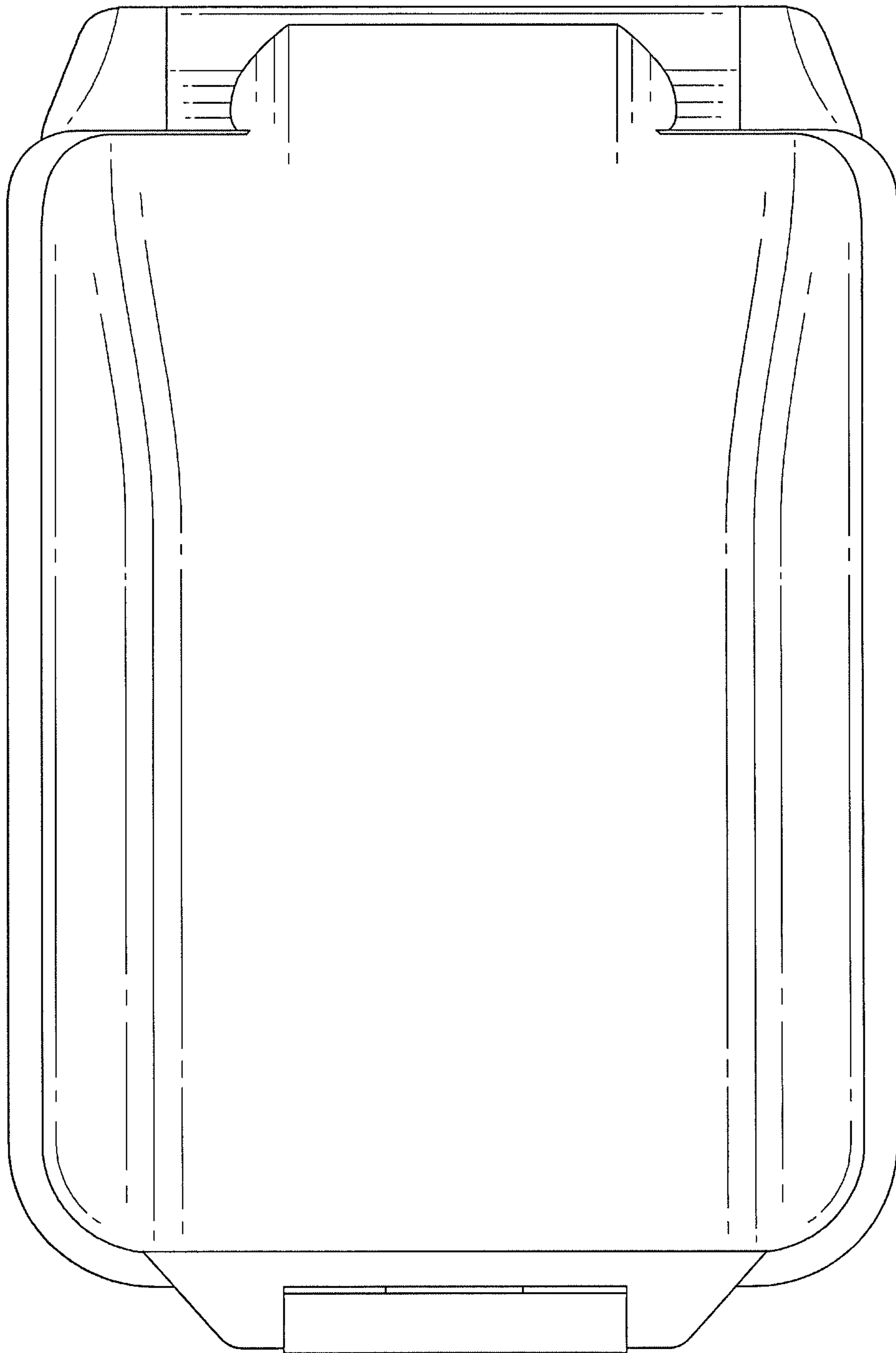


FIG. 6

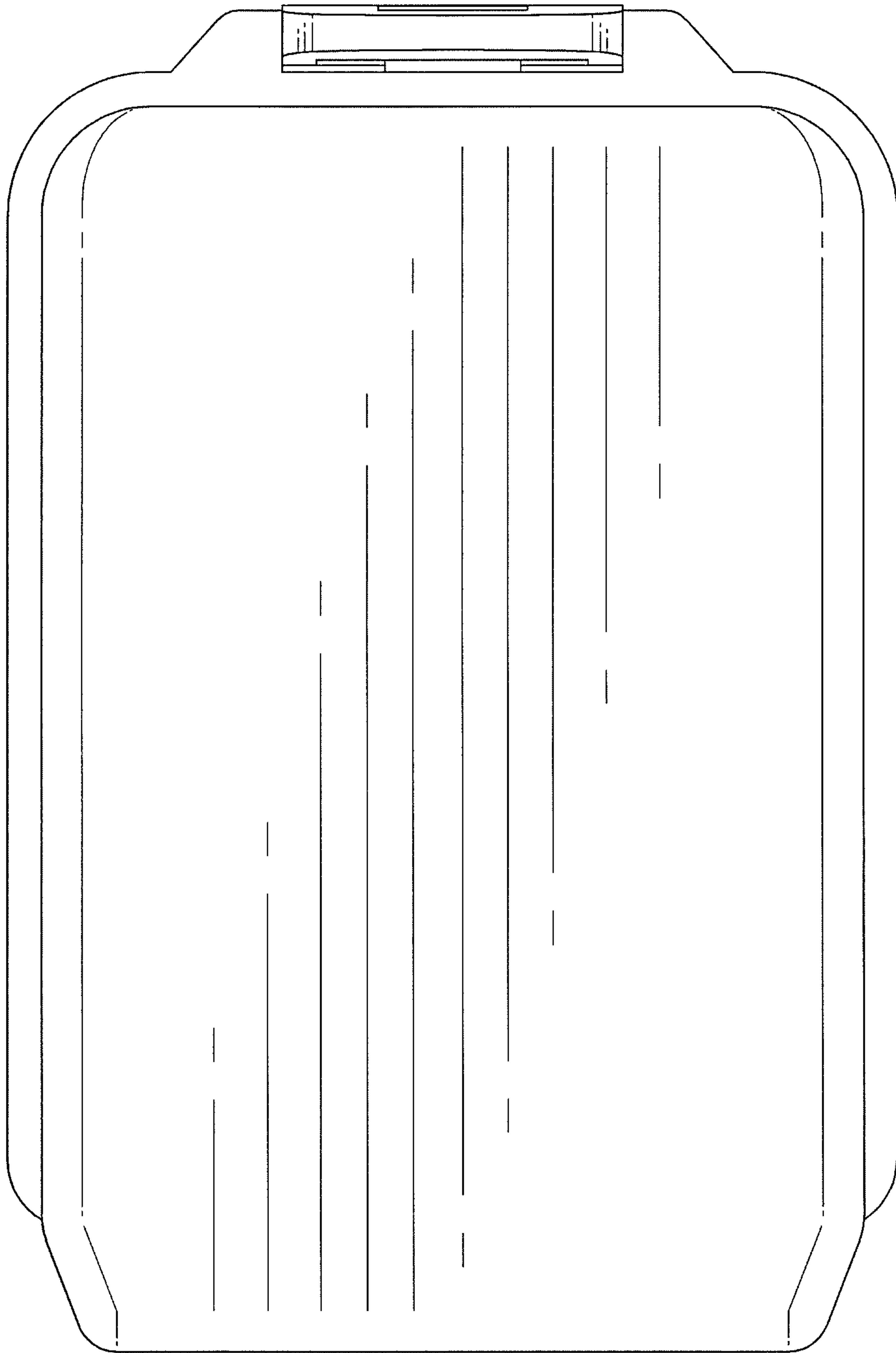


FIG. 7

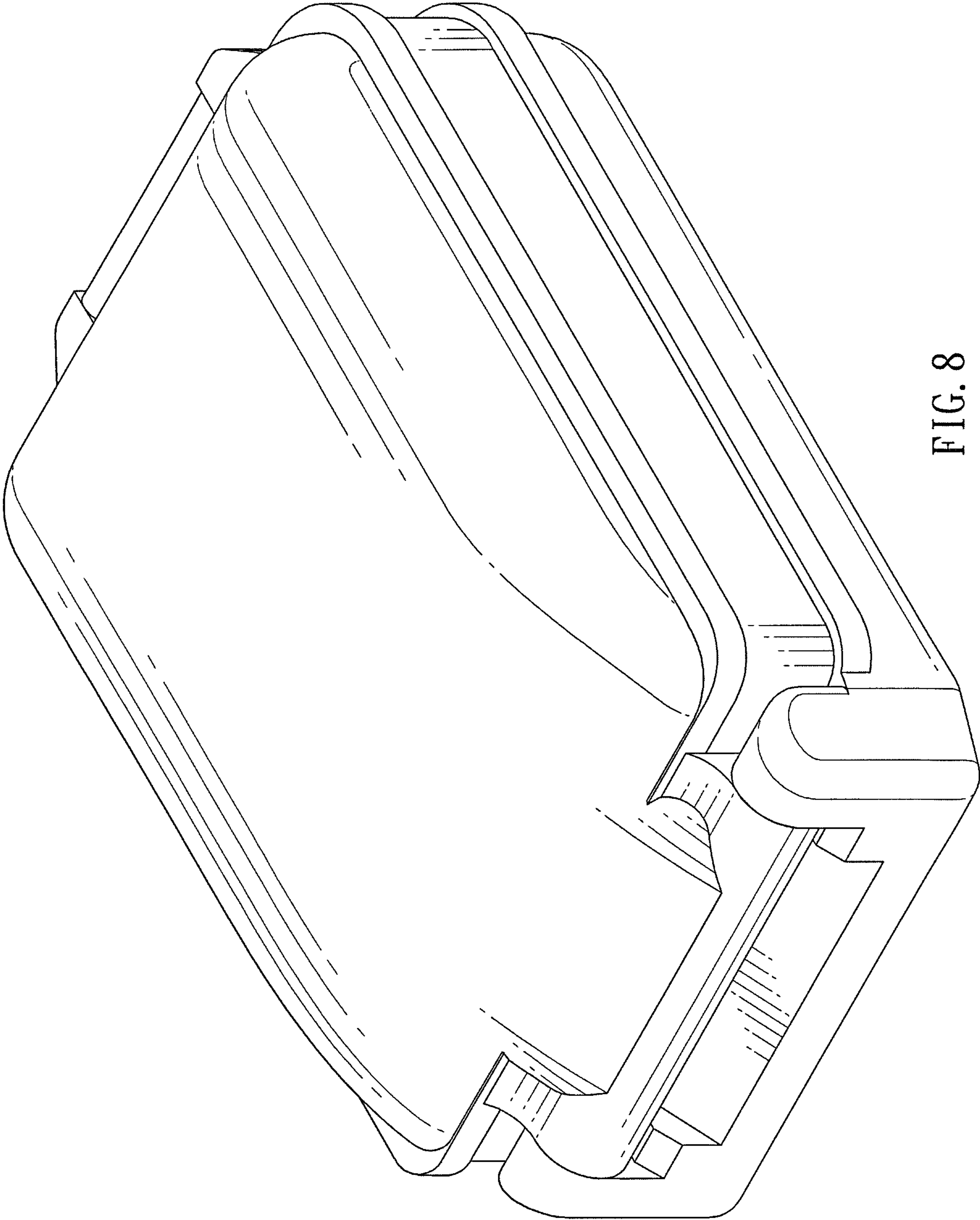


FIG. 8