



US00D959137S

(12) **United States Design Patent**
Celiktras

(10) **Patent No.:** **US D959,137 S**

(45) **Date of Patent:** **** Aug. 2, 2022**

(54) **HOLSTER**

(71) Applicant: **Ozkan Celiktras**, Belle Mead, NJ (US)

(72) Inventor: **Ozkan Celiktras**, Belle Mead, NJ (US)

(**) Term: **15 Years**

(21) Appl. No.: **29/788,438**

(22) Filed: **May 26, 2021**

(51) **LOC (13) Cl.** **03-01**

(52) **U.S. Cl.**
USPC **D3/226; D3/228**

(58) **Field of Classification Search**

USPC D3/226, 215, 218-219, 221, 227-228

CPC A45F 5/00; A45F 5/02; A45F 2/021; A45F

2200/0516; A45F 2005/008; A45F

2200/0591; A45C 1/04; F42B 39/02

See application file for complete search history.

(56) **References Cited**

U.S. PATENT DOCUMENTS

D250,919 S *	1/1979	Milligan	D3/226
D297,771 S	9/1988	Thomas		
D405,256 S *	2/1999	Chacon	D3/218
D413,430 S *	9/1999	Granata	D3/228
D413,435 S *	9/1999	Chapman	D3/226
D418,119 S *	12/1999	Rowell	D3/218
D455,900 S	4/2002	Tecson		
D475,850 S	6/2003	Andre et al.		
D507,872 S	8/2005	Watson		
D515,310 S *	2/2006	Liu	D3/218
D533,341 S	12/2006	Infanti et al.		
D543,022 S	5/2007	Alon et al.		
D550,955 S	9/2007	Boyd et al.		
D621,618 S	8/2010	Fahrendorff et al.		

D657,136 S	4/2012	Kinskey et al.		
D666,825 S	9/2012	Phillips et al.		
D666,826 S	9/2012	Phillips et al.		
D666,827 S	9/2012	Phillips et al.		
D667,216 S *	9/2012	Clifton, Jr.	D3/218
D689,281 S *	9/2013	Blundell	D3/215
D901,881 S *	11/2020	Yan	D3/226
2012/0145755 A1 *	6/2012	Kahn	A45F 5/021 224/183
2015/0021372 A1 *	1/2015	Moreau	A45F 5/021 224/677

OTHER PUBLICATIONS

https://www.amazon.com/Scanner-Holster-Carrying-Handheld-Computer/dp/B08JRYPIY8/ref=sr_1_14?crd=1332UE19PL2ZQ&keywords=barcode+scanner+holster&qid=1648585098&srefix=holster+for+a+barcode+s%2Caps%2C46&sr=8-14 (Year: 2020).*

* cited by examiner

Primary Examiner — Catherine R Oliver-Garcia
(74) *Attorney, Agent, or Firm* — Dunlap Bennett & Ludwig, PLLC; Brendan E. Squire

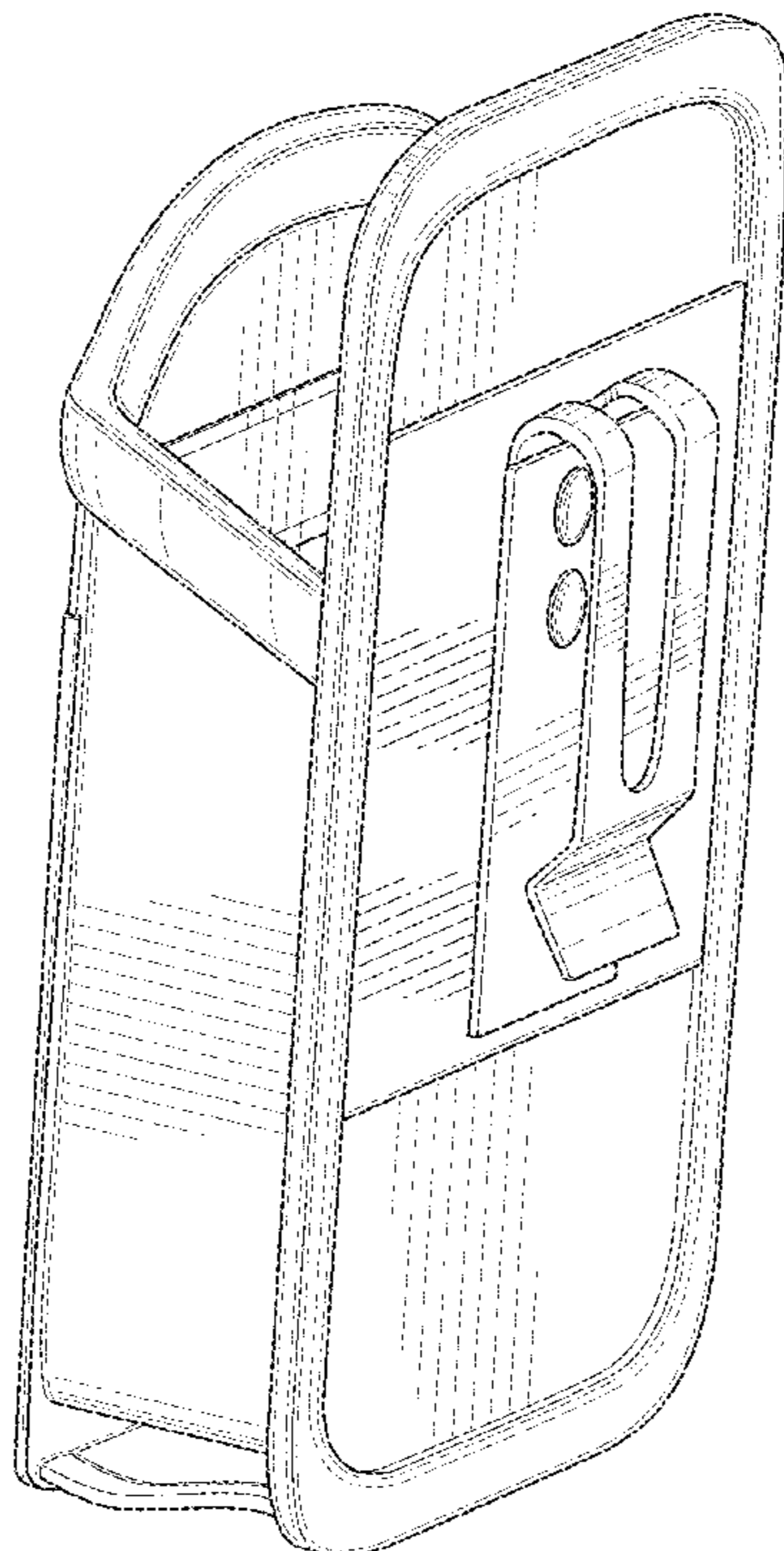
(57) **CLAIM**

The ornamental design for a holster, as shown and described.

DESCRIPTION

FIG. 1 is a perspective view of a holster showing my new design;
FIG. 2 is a front elevation view thereof;
FIG. 3 is a rear elevation view thereof;
FIG. 4 is a left side elevation view thereof;
FIG. 5 is a right side elevation view thereof;
FIG. 6 is a top plan view thereof; and,
FIG. 7 is a bottom plan view thereof.

1 Claim, 5 Drawing Sheets



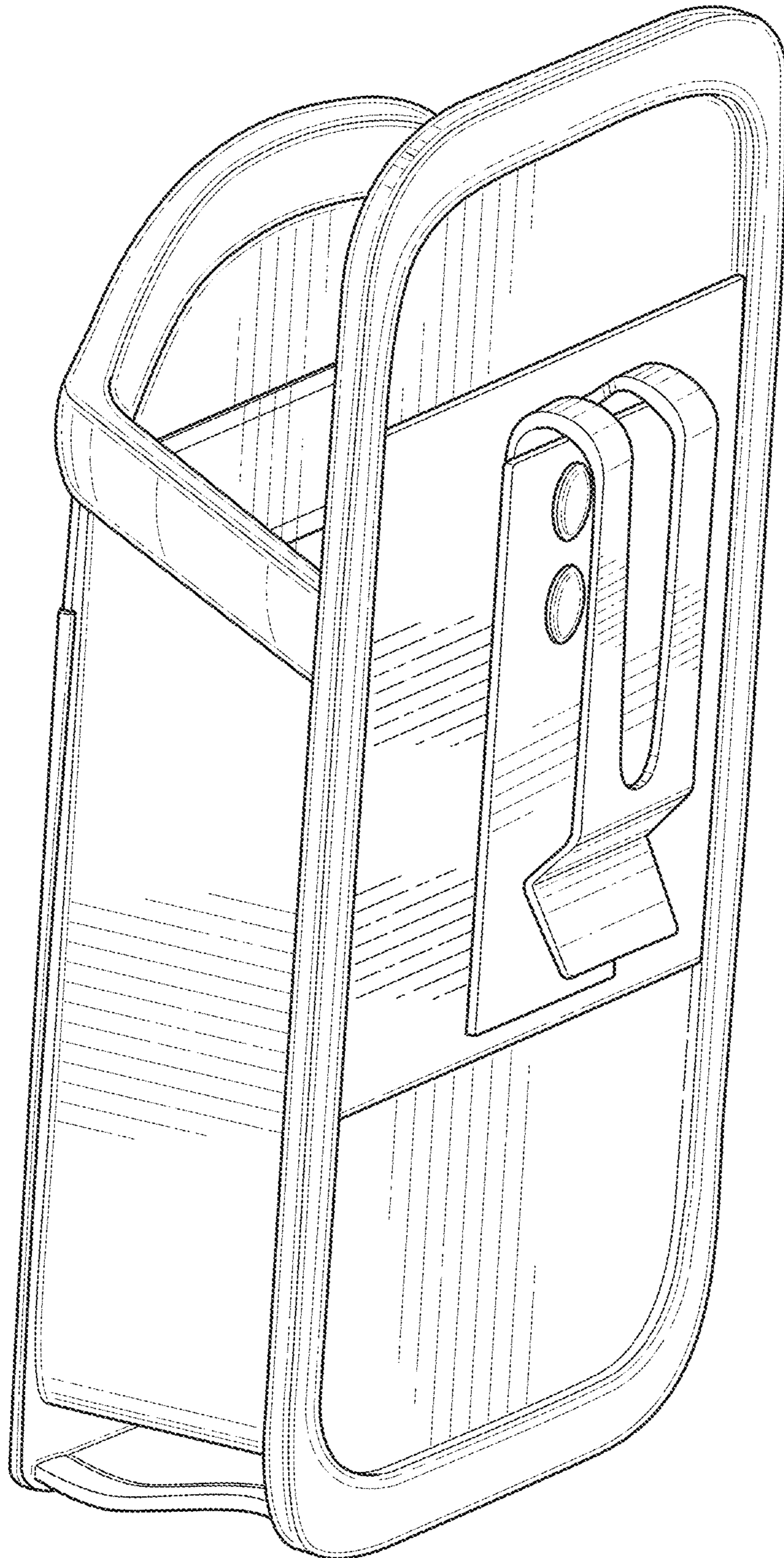


FIG. 1

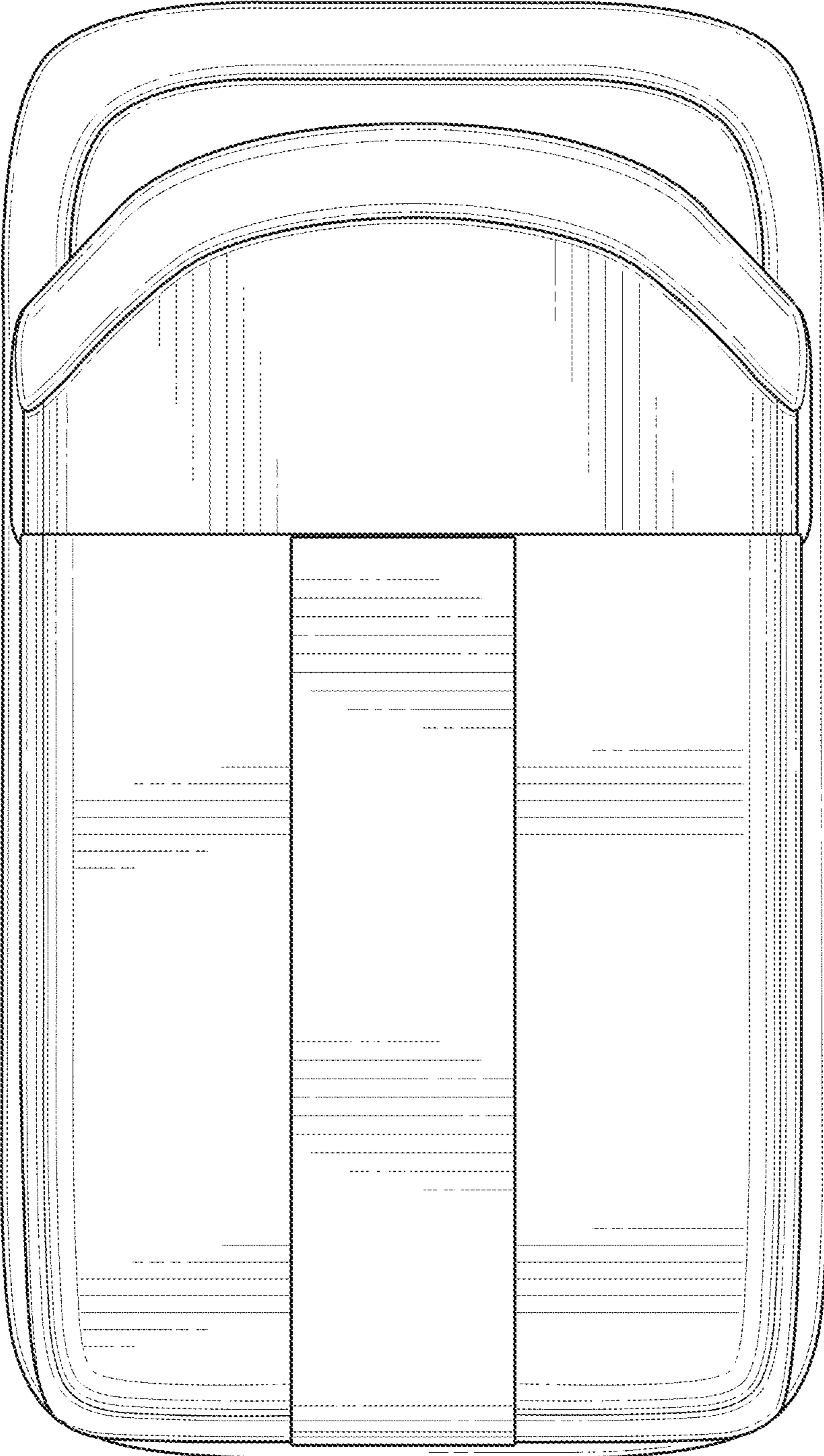


FIG. 2

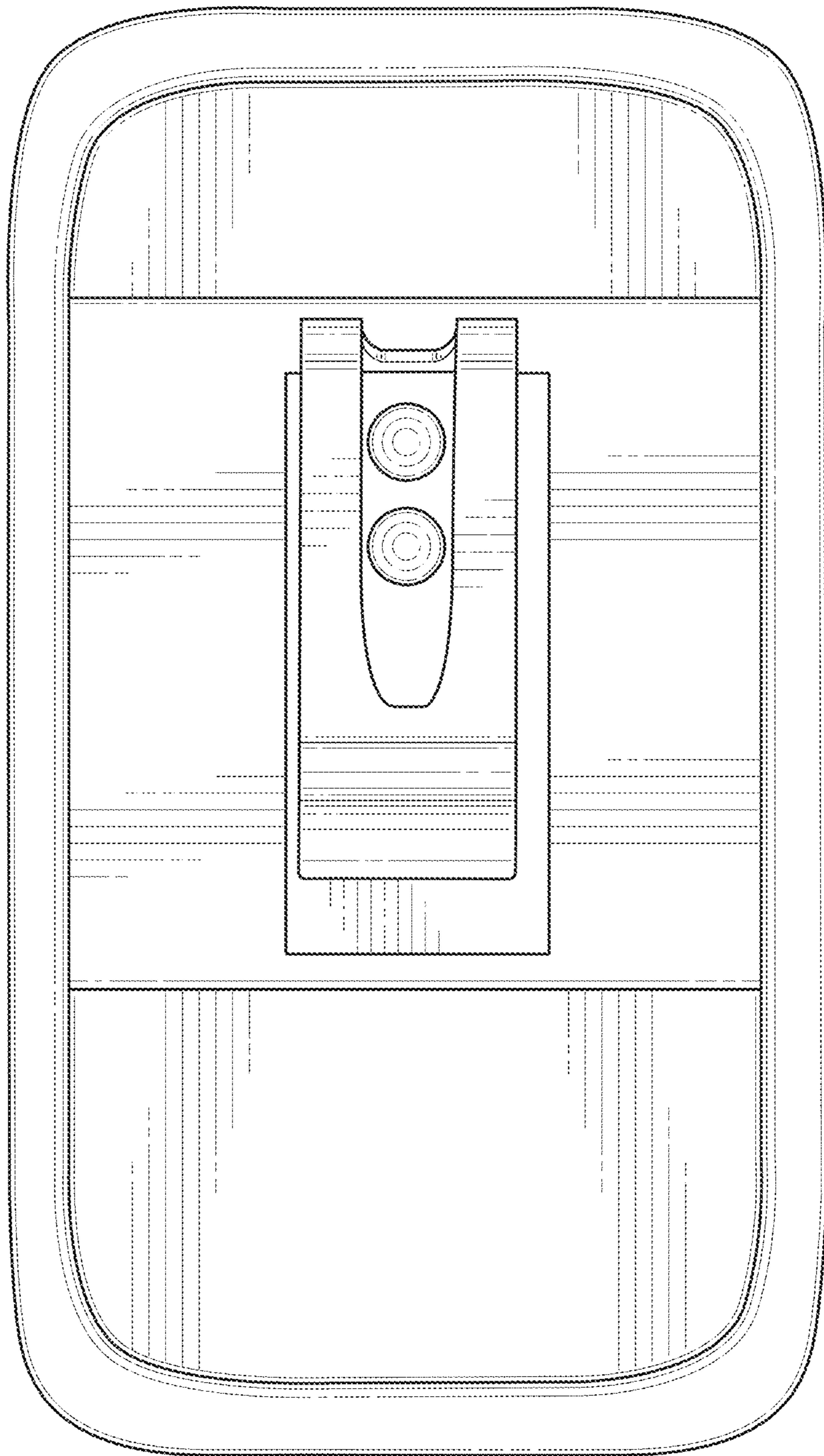


FIG. 3

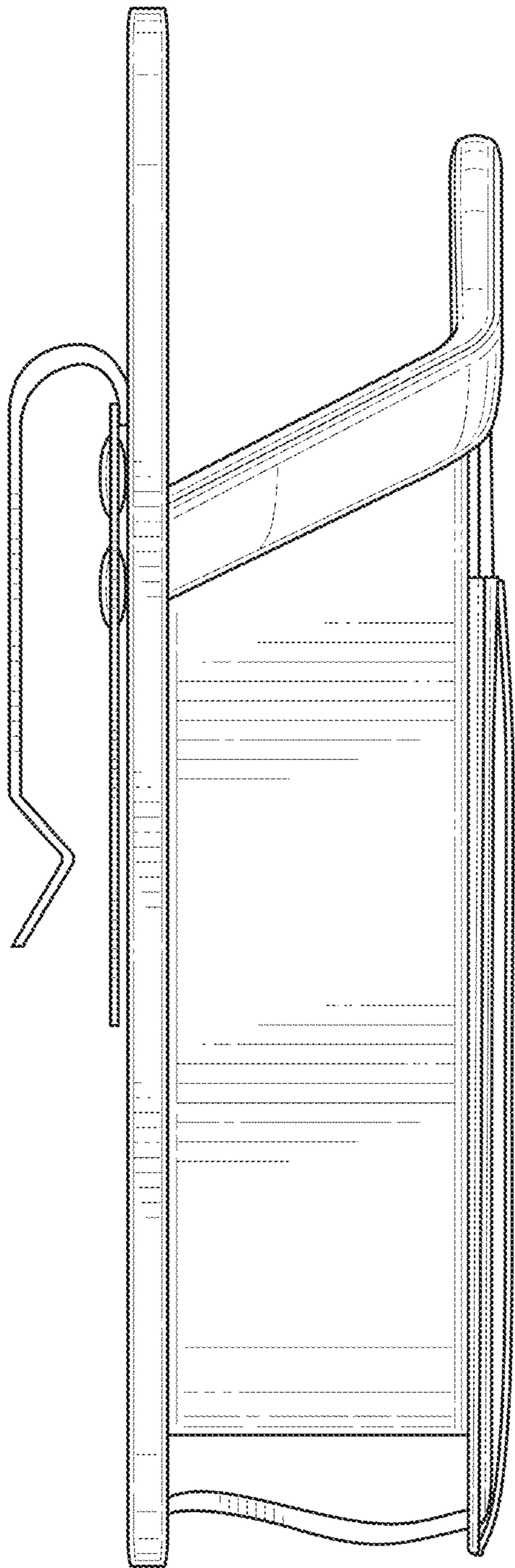


FIG. 4

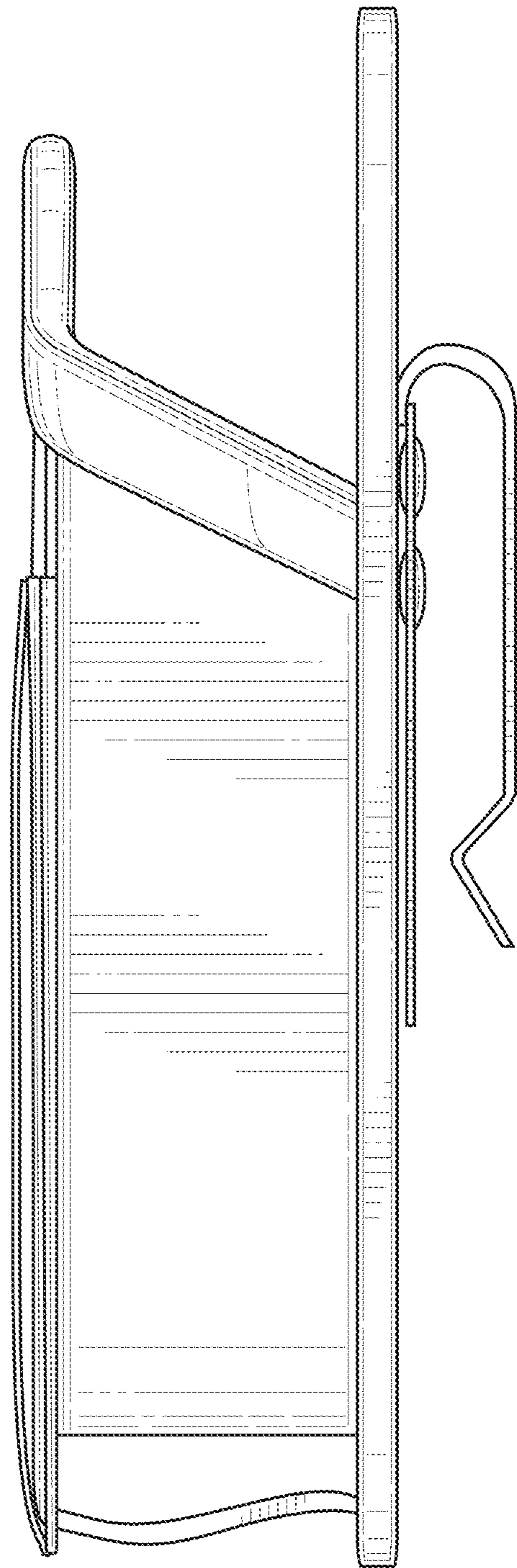


FIG. 5

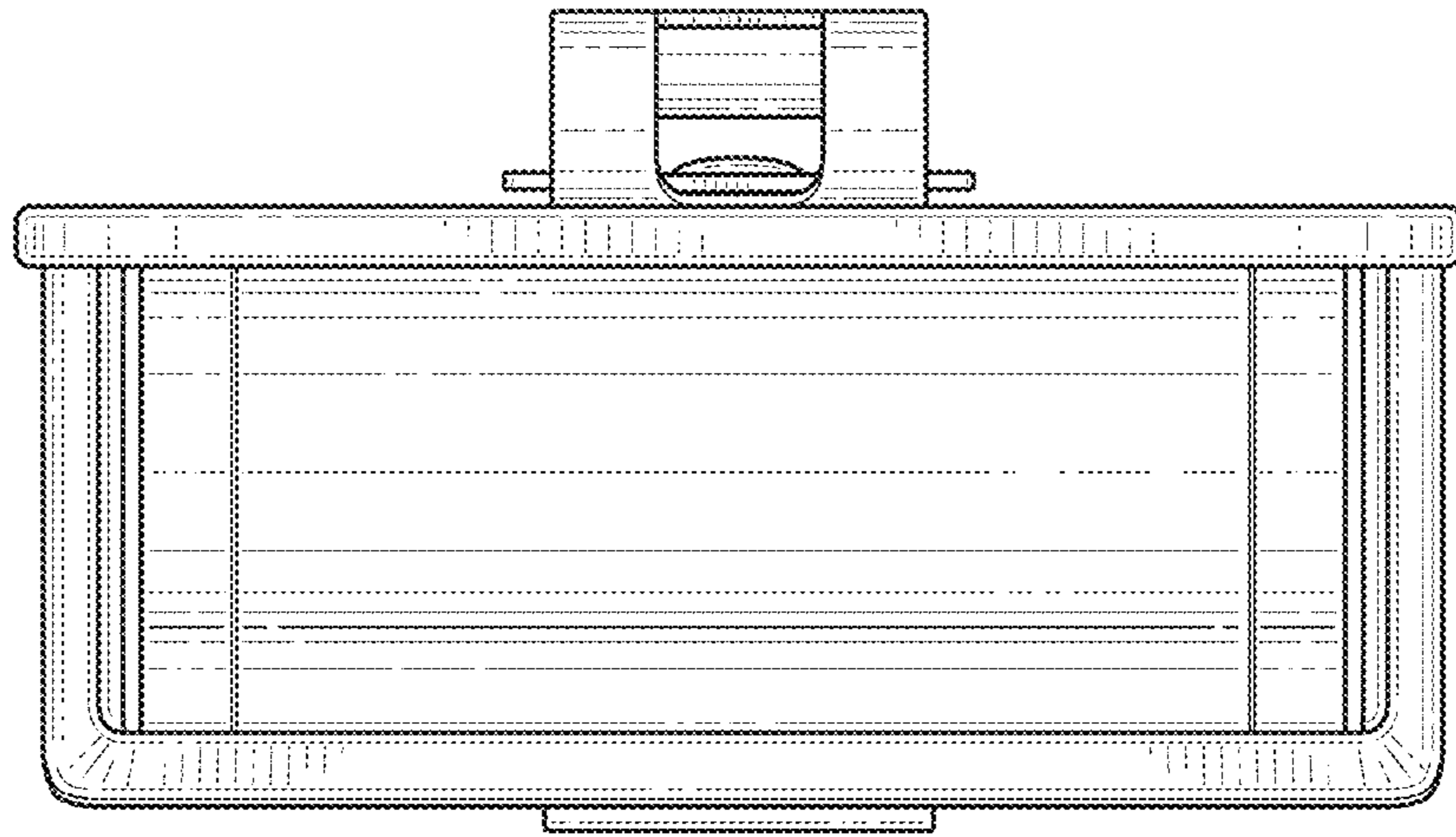


FIG. 6

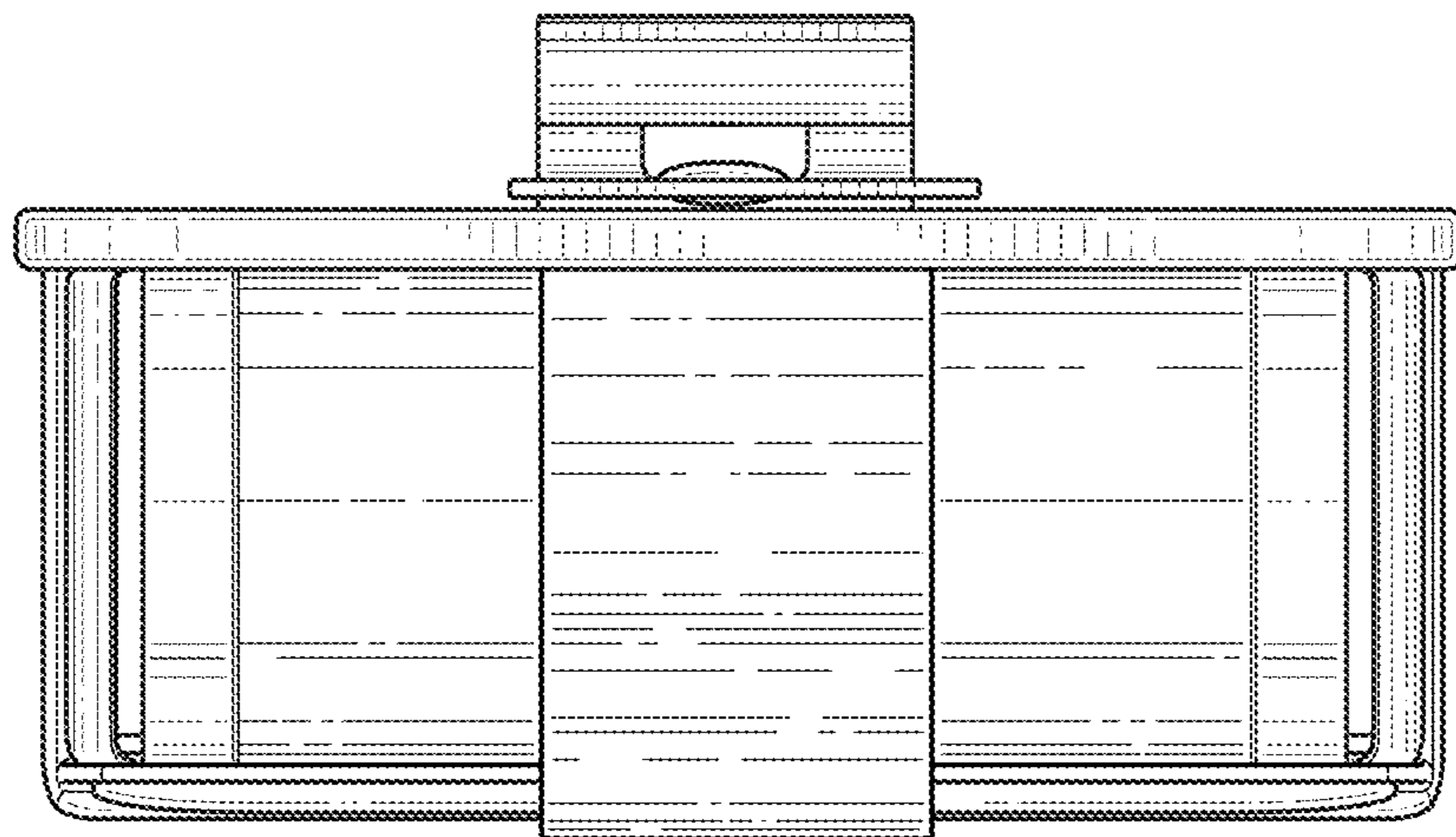


FIG. 7