



US00D959136S

(12) **United States Design Patent** (10) **Patent No.:** **US D959,136 S**
Celiktras (45) **Date of Patent:** **** Aug. 2, 2022**

(54) **HOLSTER**
(71) Applicant: **Ozkan Celiktras**, Belle Mead, NJ (US)
(72) Inventor: **Ozkan Celiktras**, Belle Mead, NJ (US)
(*) Notice: Patent file contains an affidavit/declaration under 37 CFR 1.130(b).
(**) Term: **15 Years**
(21) Appl. No.: **29/788,423**
(22) Filed: **May 24, 2021**
(51) **LOC (13) Cl.** **03-01**
(52) **U.S. Cl.**
USPC **D3/226; D3/228**
(58) **Field of Classification Search**
USPC D3/226, 218–219, 215, 221, 227–228
CPC A45F 5/00; A45F 5/02; A45F 5/021; A45F 2200/0516; A45F 2005/008; A45F 2200/0591; A45C 1/04; F42B 39/02
See application file for complete search history.

D550,955 S 9/2007 Boyd et al.
D657,136 S 4/2012 Kinskey et al.
D667,216 S * 9/2012 Clifton, Jr. D3/218
D689,281 S * 9/2013 Blundell D3/215
D745,776 S 12/2015 Perreault
D749,317 S 2/2016 Vertreese
D776,916 S 1/2017 Yeruva et al.
D901,881 S * 11/2020 Yan D3/226
2012/0145755 A1 * 6/2012 Kahn A45F 5/021
224/183
2015/0021372 A1 * 1/2015 Moreau A45F 5/021
224/677

(56) **References Cited**
U.S. PATENT DOCUMENTS
D250,919 S * 1/1979 Milligan D3/226
D361,462 S 8/1995 Newham
D366,957 S 2/1996 Scheid et al.
D368,365 S 4/1996 Castilla et al.
D369,465 S 5/1996 Scheid et al.
D391,758 S 3/1998 Wolf et al.
D405,256 S * 2/1999 Chacon D3/218
D407,252 S 3/1999 Hampshire
D413,430 S * 9/1999 Granata D3/228
D413,435 S * 9/1999 Chapman D3/226
D418,119 S * 12/1999 Rowell D3/218
D455,900 S 4/2002 Tecson
D457,308 S 5/2002 Infanti
D515,310 S * 2/2006 Liu D3/218
D529,489 S 10/2006 Sbordon, Jr.

OTHER PUBLICATIONS

https://www.amazon.com/Barcode-Scanner-Holster-Handheld-Carrying/dp/B08KSF3VNT/ref=sr_1_1?crd=2EJBKA6TKS3ZO&keywords=agoz+barcode+scanner+holster+for+zebra+tc75+with+handle&qid=1648677451&sprefix=barcode+scanner+holster+hand%2Caps%2C64&sr=8-1 (Year: 2020).*

* cited by examiner

Primary Examiner — Catherine R Oliver-Garcia
(74) *Attorney, Agent, or Firm* — Dunlap Bennett & Ludwig, PLLC; Brendan E. Squire

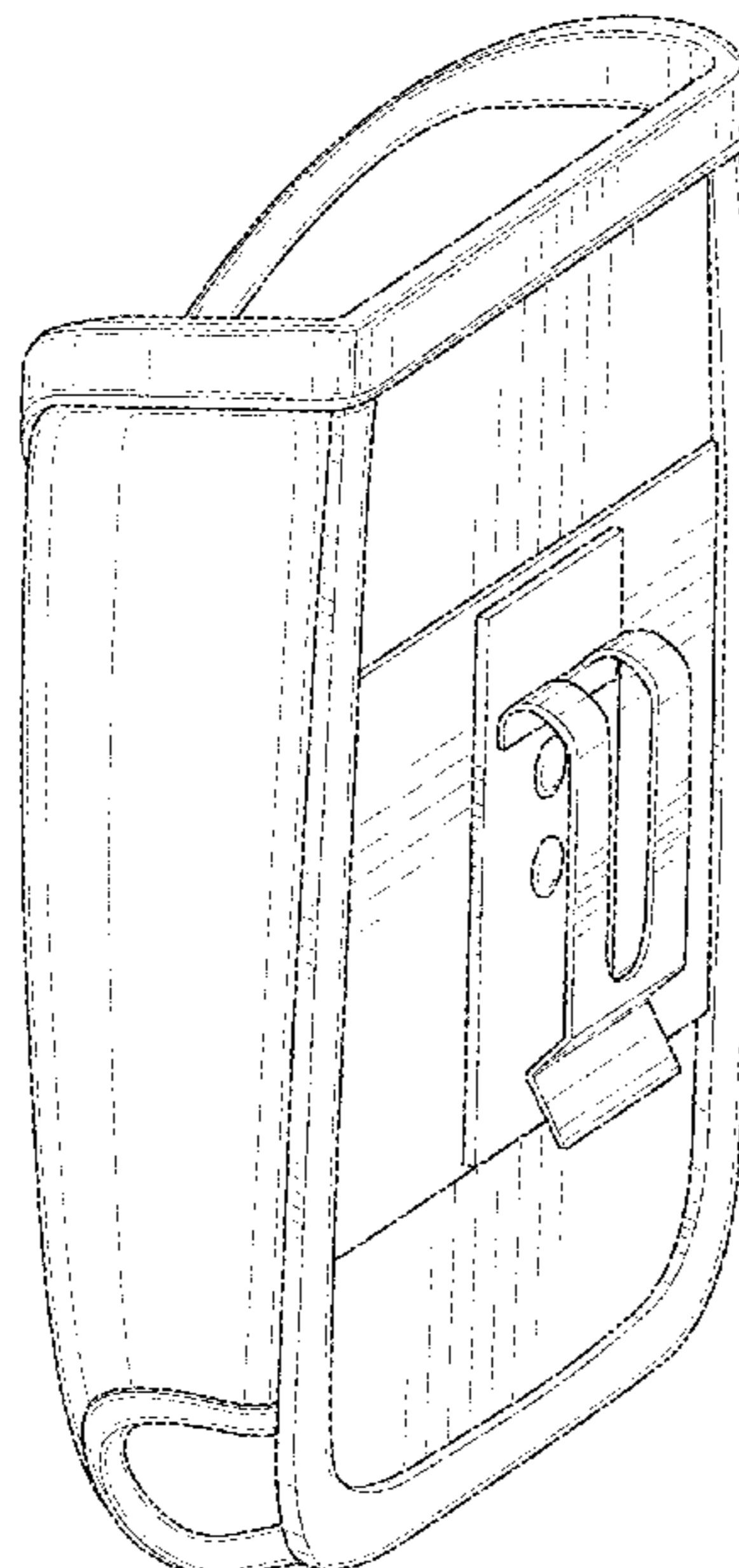
(57) **CLAIM**

The ornamental design for a holster, as shown and described.

DESCRIPTION

FIG. 1 is a perspective view of a holster showing my new design;
FIG. 2 is a front elevation view thereof;
FIG. 3 is a rear elevation view thereof;
FIG. 4 is a left side elevation view thereof;
FIG. 5 is a right side elevation view thereof;
FIG. 6 is a top plan view thereof; and,
FIG. 7 is a bottom plan view thereof.

1 Claim, 5 Drawing Sheets



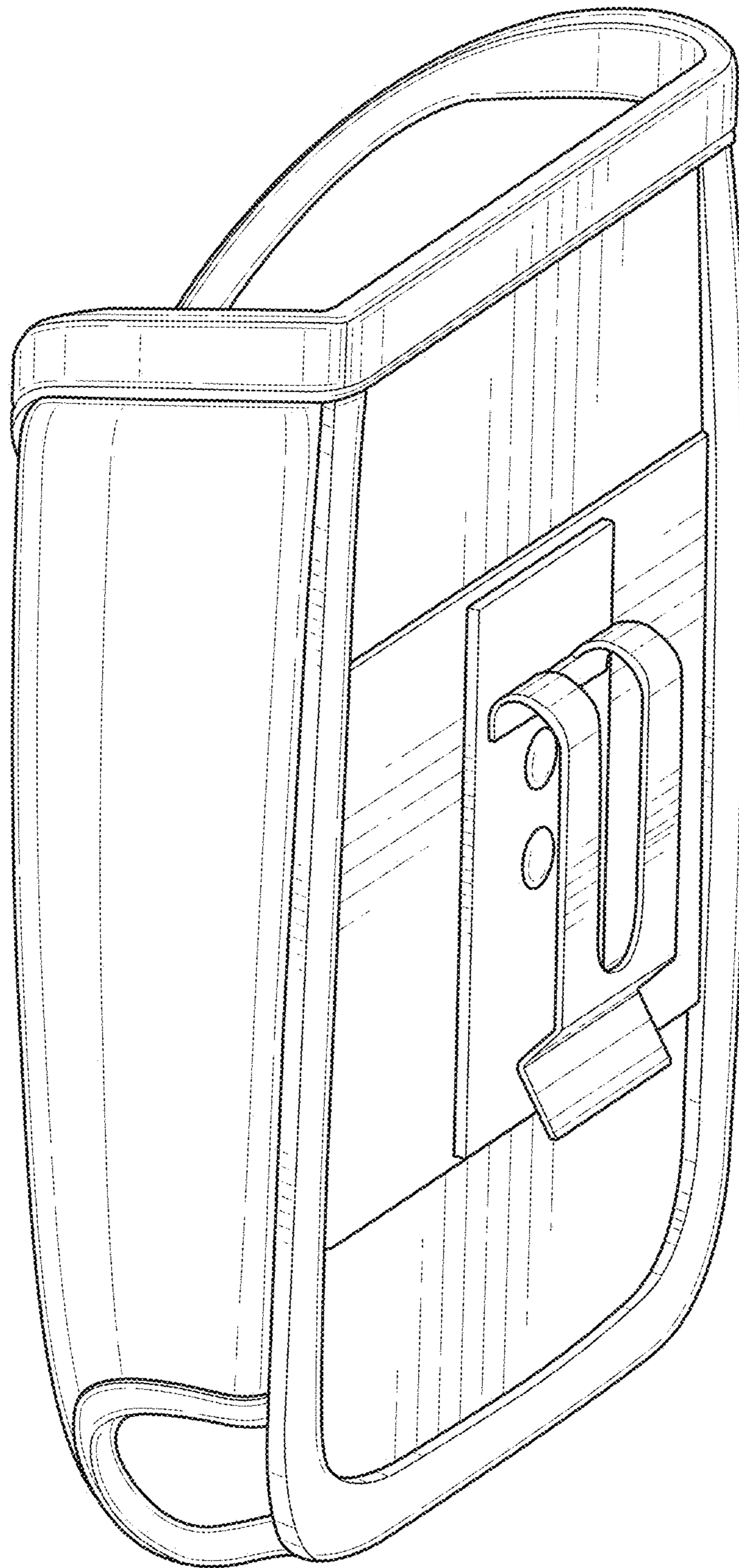


FIG. 1

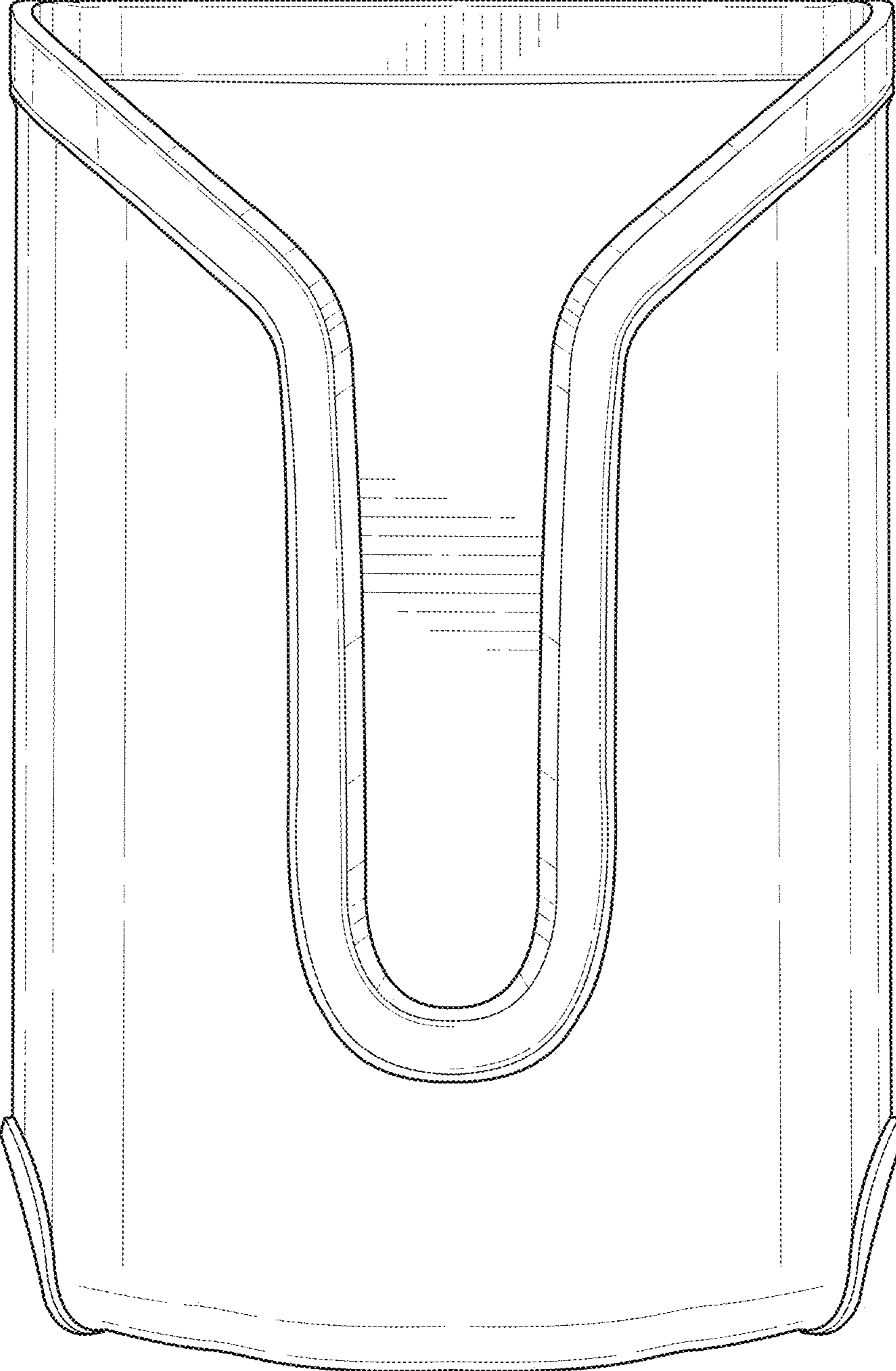


FIG. 2

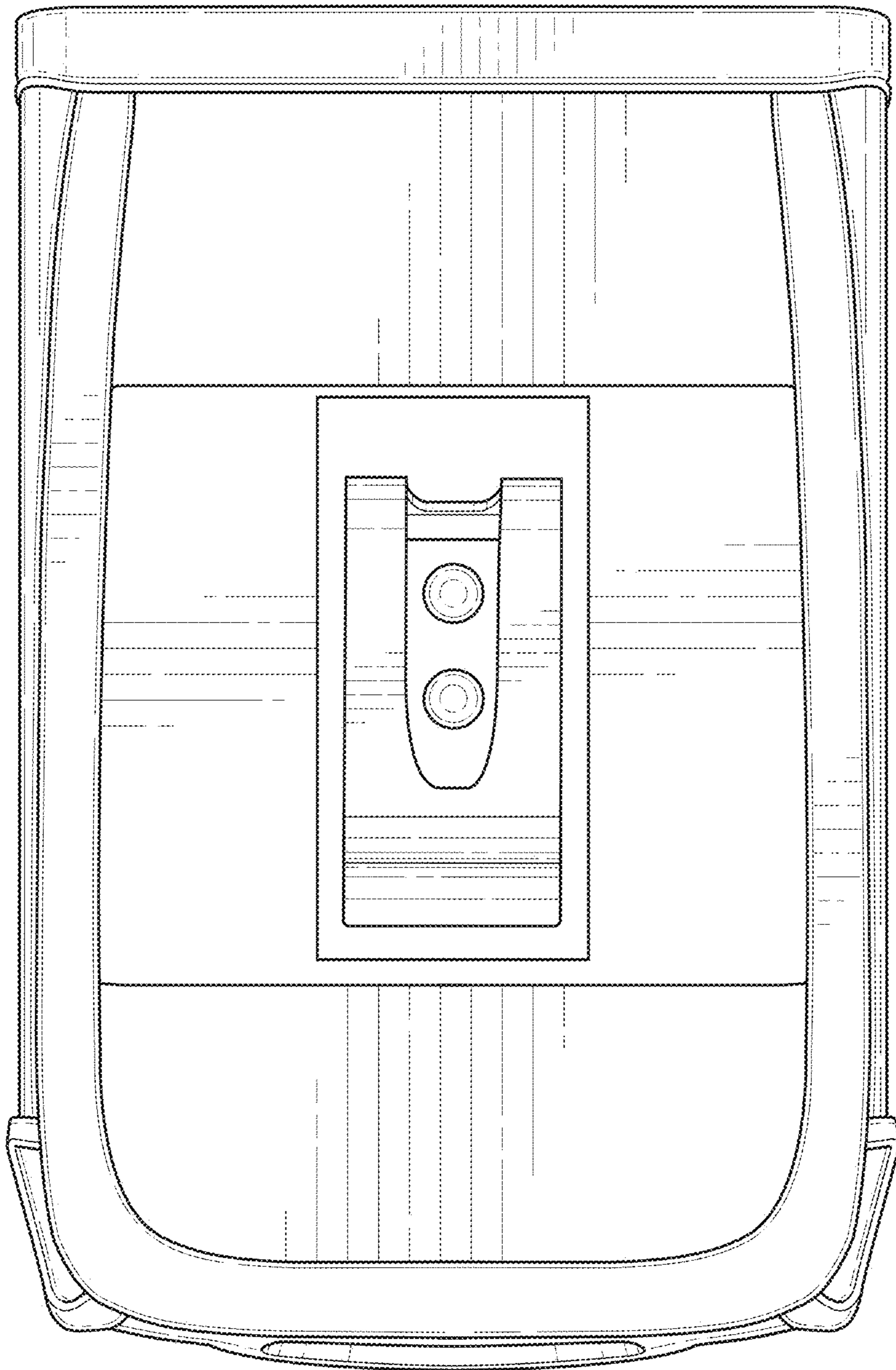


FIG. 3

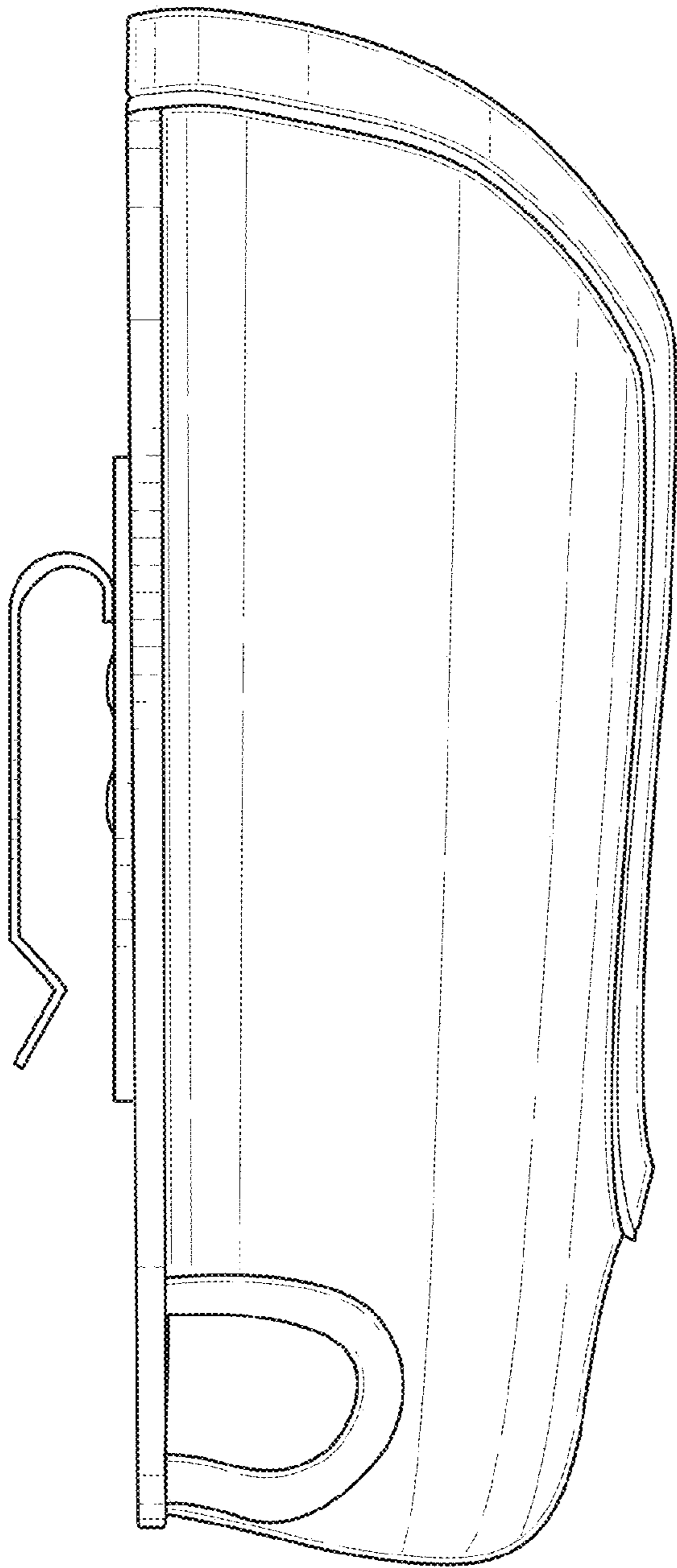


FIG. 4

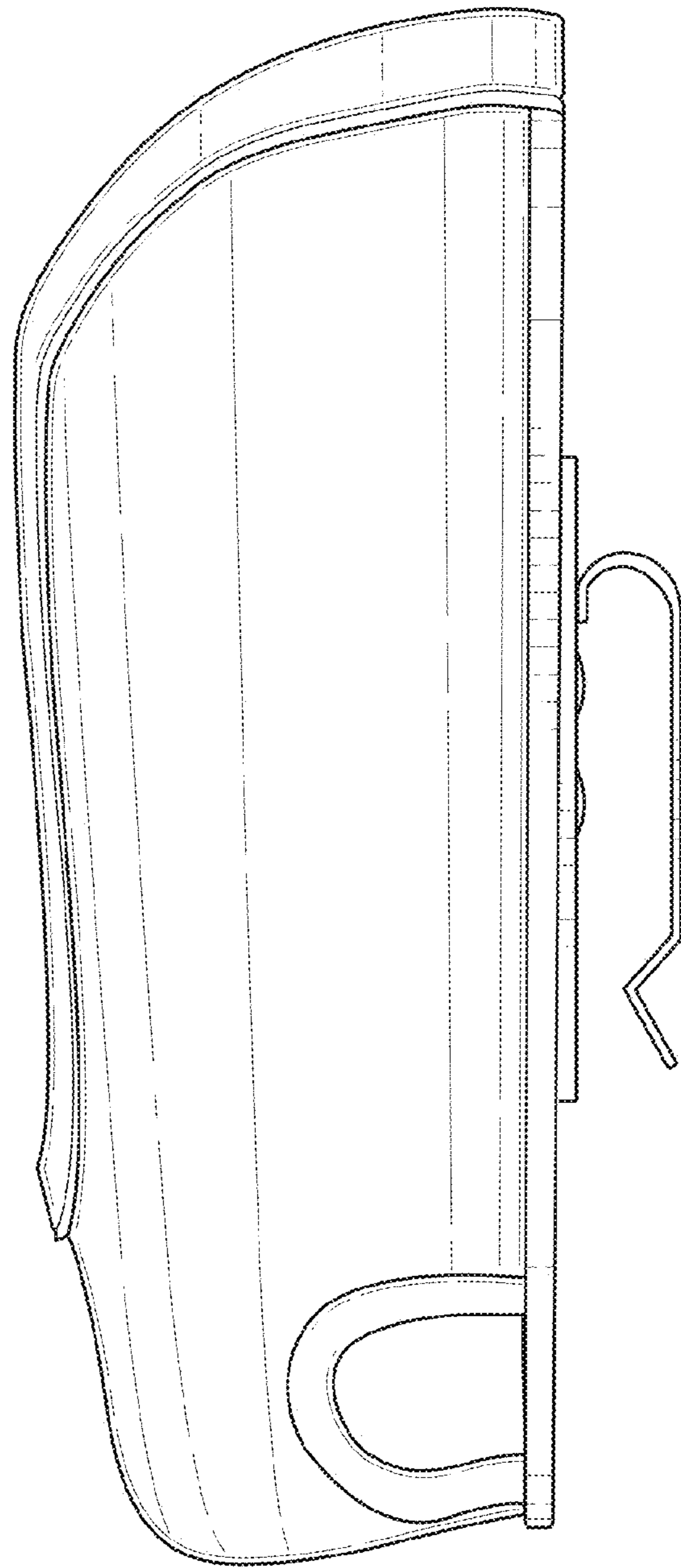


FIG. 5

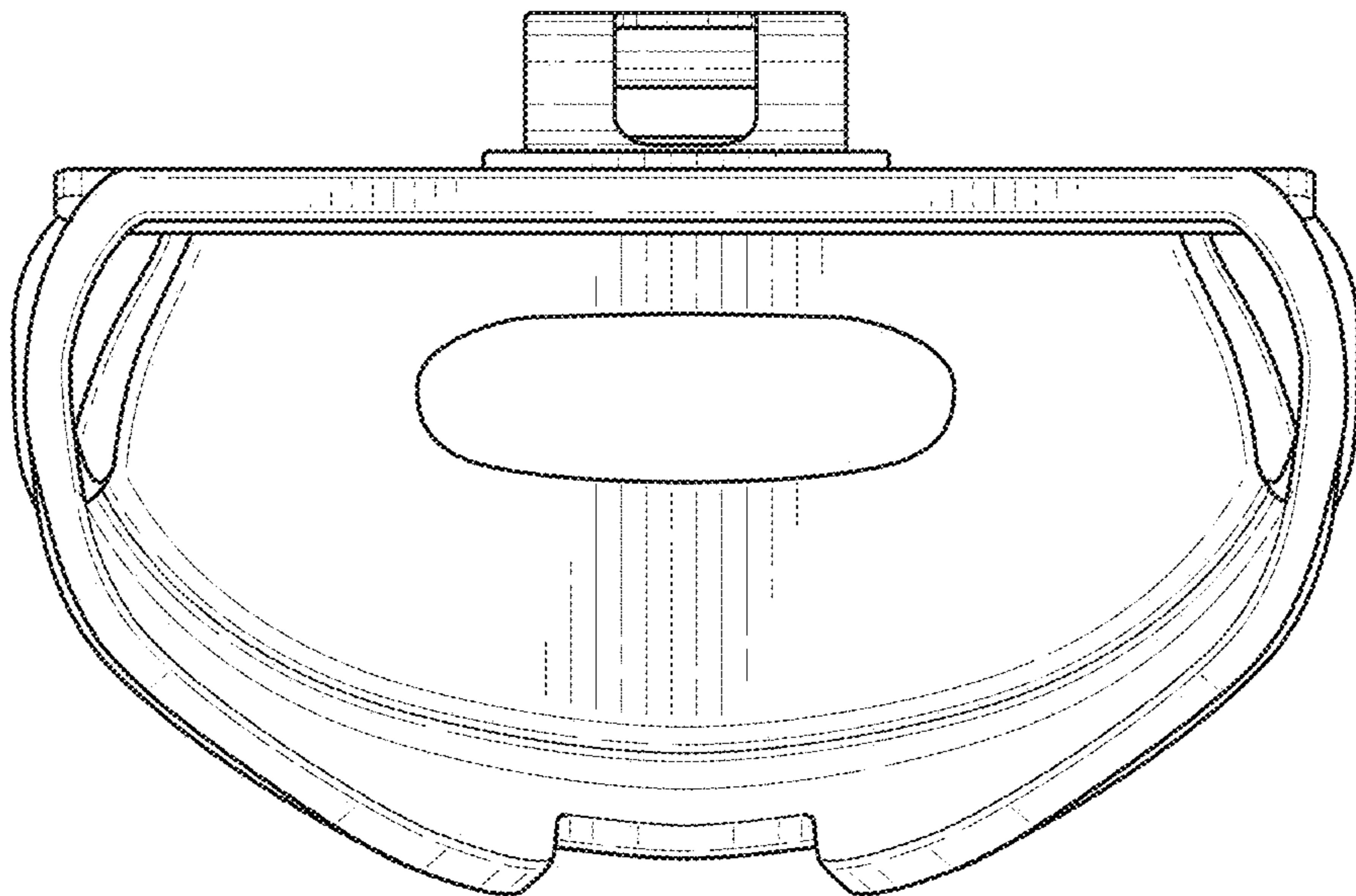


FIG. 6

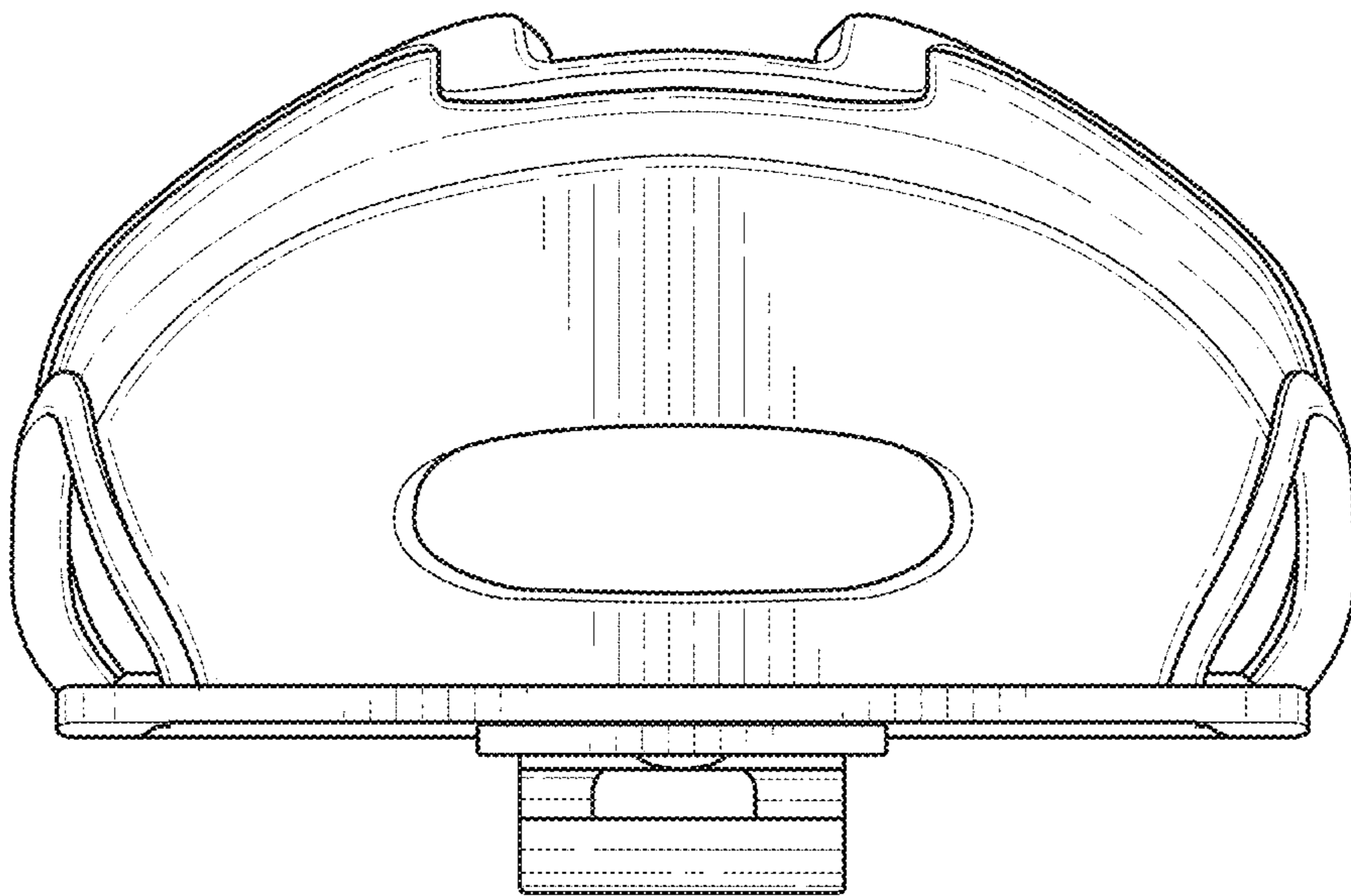


FIG. 7