



US00D959133S

(12) **United States Design Patent**  
**Huang et al.**

(10) **Patent No.:** **US D959,133 S**  
(45) **Date of Patent:** **\*\* Aug. 2, 2022**

- (54) **BACKPACK**
- (71) Applicants: **Bailin Huang**, Shenzhen (CN);  
**Longhui Wan**, Shenzhen (CN)
- (72) Inventors: **Bailin Huang**, Shenzhen (CN);  
**Longhui Wan**, Shenzhen (CN)
- (\*\*) Term: **15 Years**
- (21) Appl. No.: **29/784,823**
- (22) Filed: **May 21, 2021**
- (51) **LOC (13) Cl.** ..... **03-01**
- (52) **U.S. Cl.**  
USPC ..... **D3/216; D3/327**
- (58) **Field of Classification Search**  
USPC ..... **D3/216, 217, 327**  
CPC ... **A45C 13/30; A45F 3/04; A45F 3/02; A45F 3/10; A45F 3/12; A45F 2003/122; A45F 2003/127; A45F 3/14; A45F 2003/002; A45F 2003/045; A45F 2003/144**  
See application file for complete search history.

D848,223 S *	5/2019	Munie .....	D3/216
D889,842 S *	7/2020	Hargraves .....	D3/327
D891,092 S *	7/2020	Brahmbhatt .....	D3/217
D893,862 S	8/2020	Dyk	
D923,939 S *	7/2021	Burgess .....	D3/327
2003/0121942 A1 *	7/2003	Chang .....	A63B 55/408 224/264
2003/0164321 A1 *	9/2003	Ukitsu .....	A45F 3/04 190/102

\* cited by examiner

*Primary Examiner* — Jennifer L Watkins

(74) *Attorney, Agent, or Firm* — Justin Lampel

(57) **CLAIM**

The ornamental design for a backpack, as shown and described.

**DESCRIPTION**

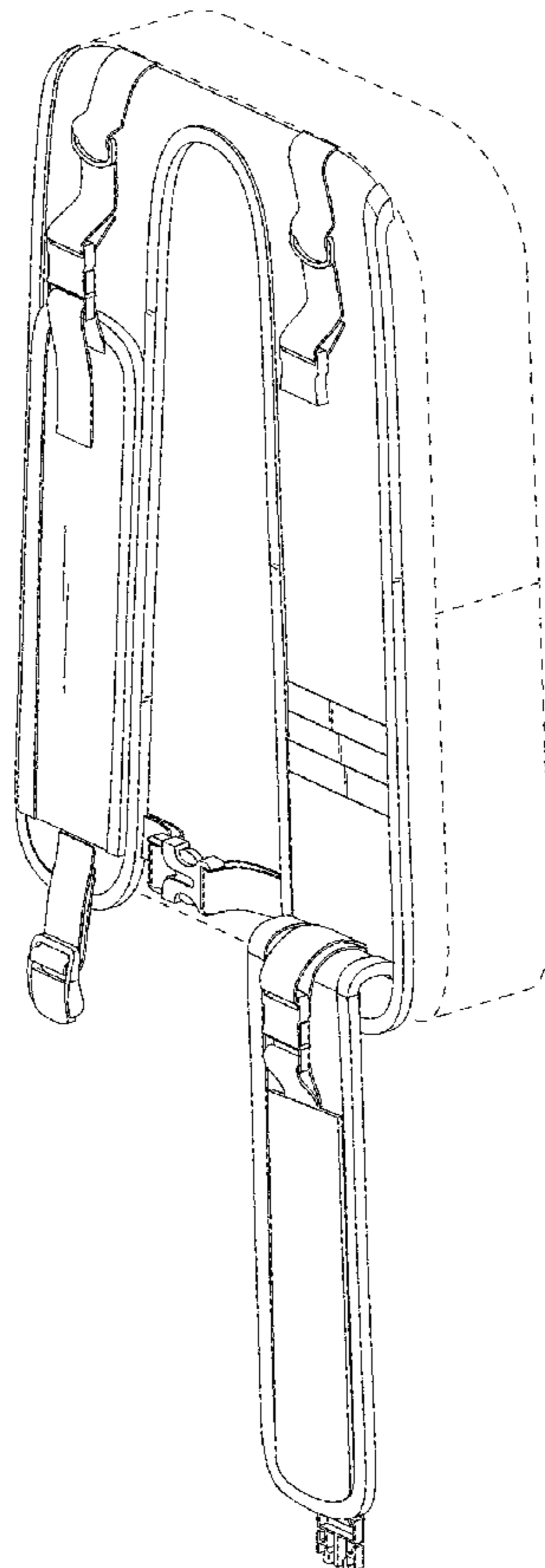
FIG. 1 is a perspective view of a backpack showing the claimed design;  
 FIG. 2 is a top plan view thereof;  
 FIG. 3 is a side elevational view thereof;  
 FIG. 4 is a front elevational view thereof;  
 FIG. 5 is another side elevational view thereof;  
 FIG. 6 is a back elevational view thereof; and,  
 FIG. 7 is a bottom plan view thereof.  
 The broken lines illustrate portions of the backpack that form no part of the claimed design.

(56) **References Cited**

**U.S. PATENT DOCUMENTS**

7,594,569 B2 *	9/2009	Bass .....	A45C 7/0086 190/902
D745,777 S *	12/2015	Zwetzig .....	D3/217

**1 Claim, 7 Drawing Sheets**



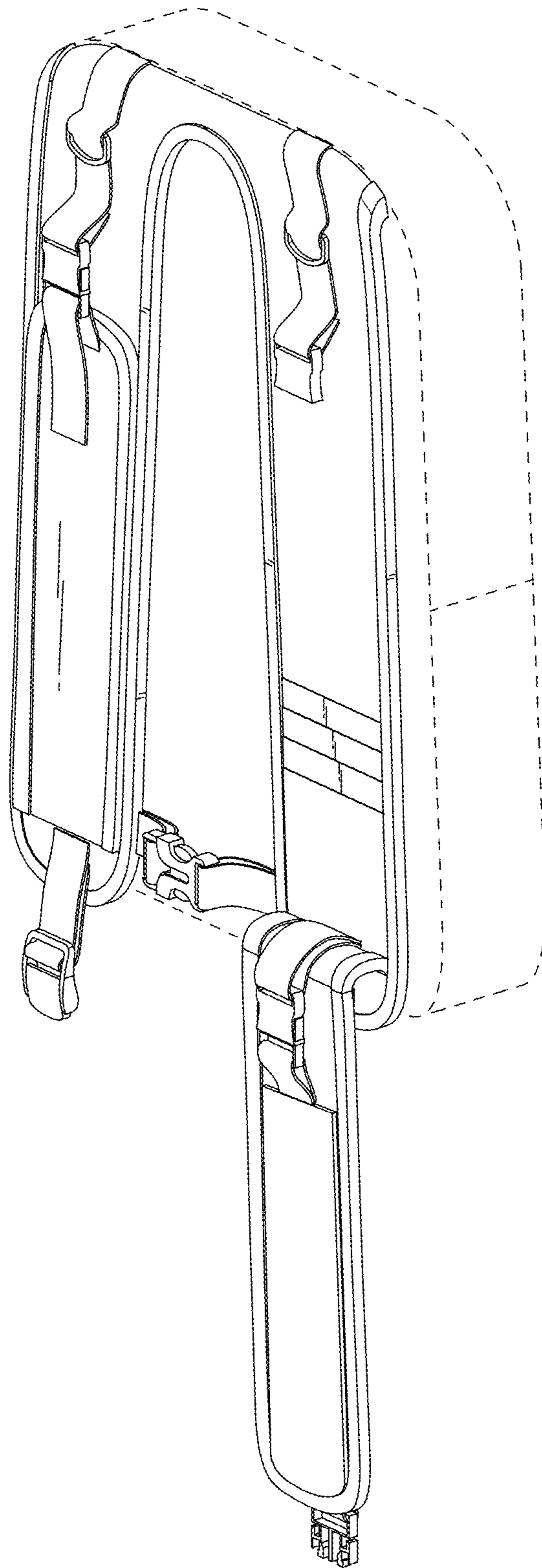


FIG. 1

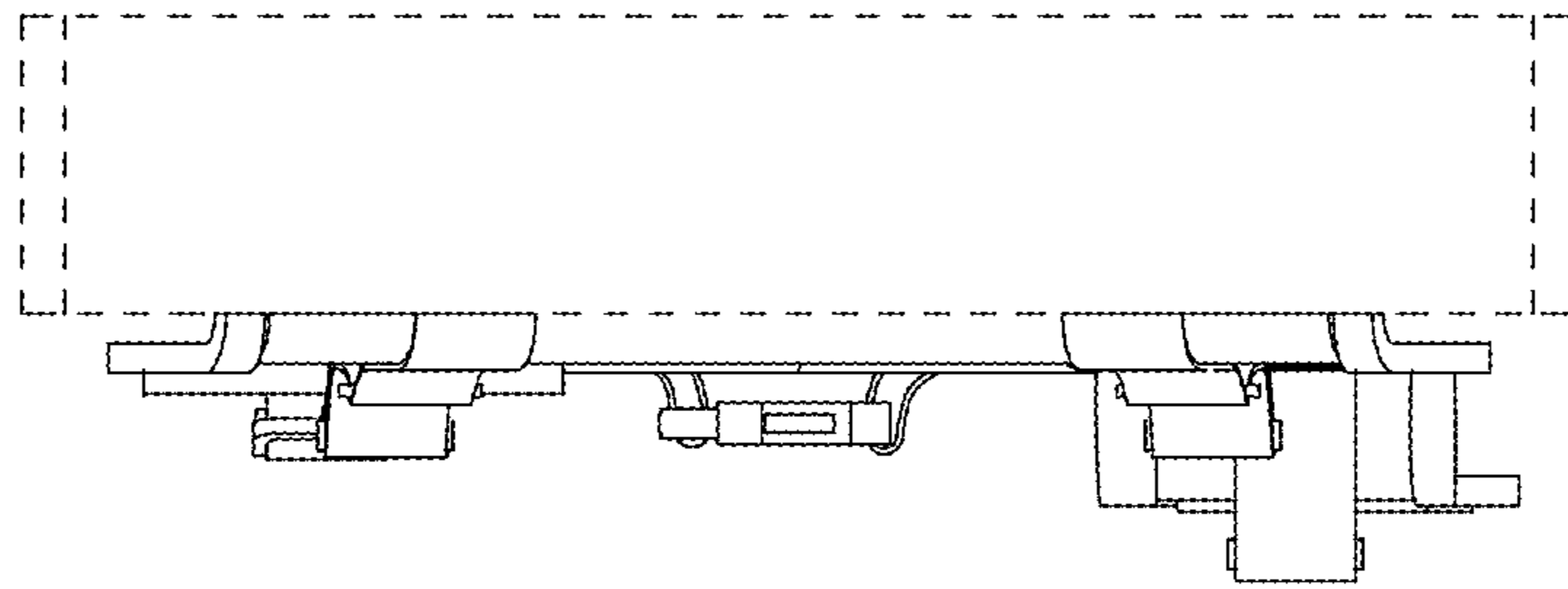


FIG.2

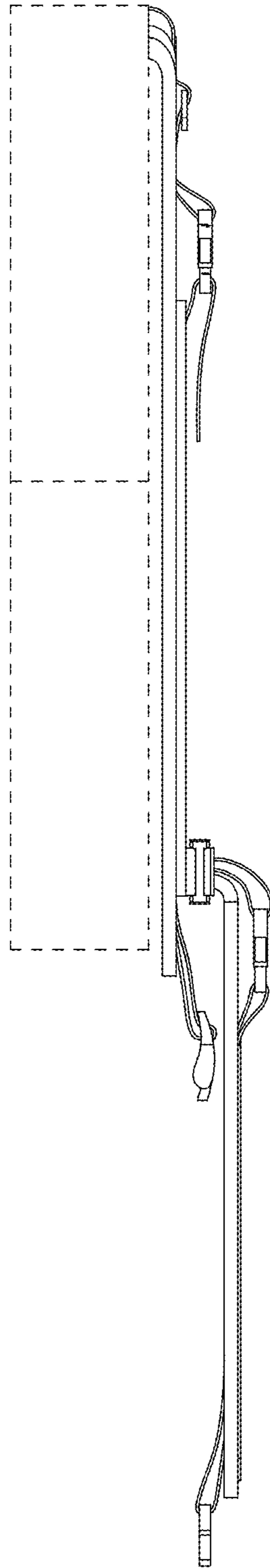


FIG. 3

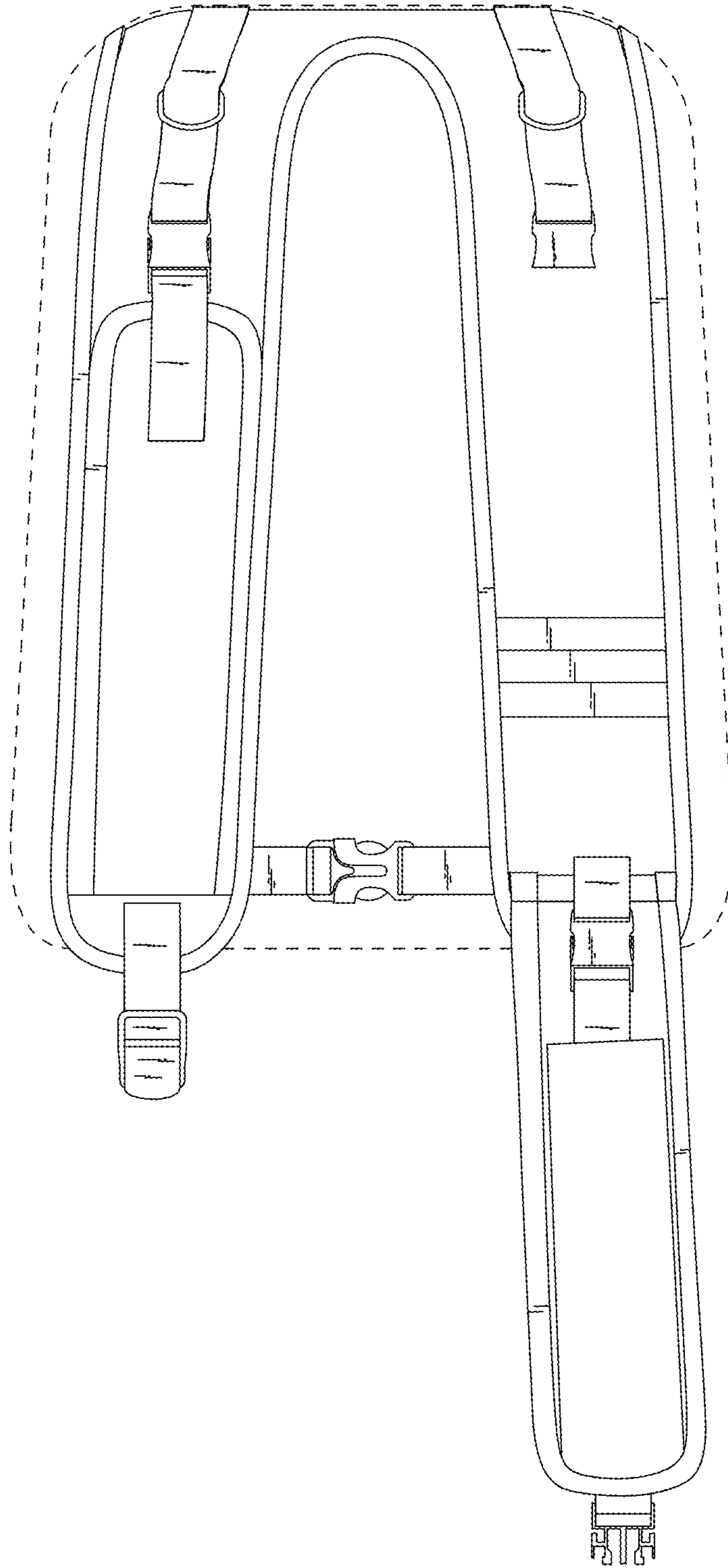


FIG.4

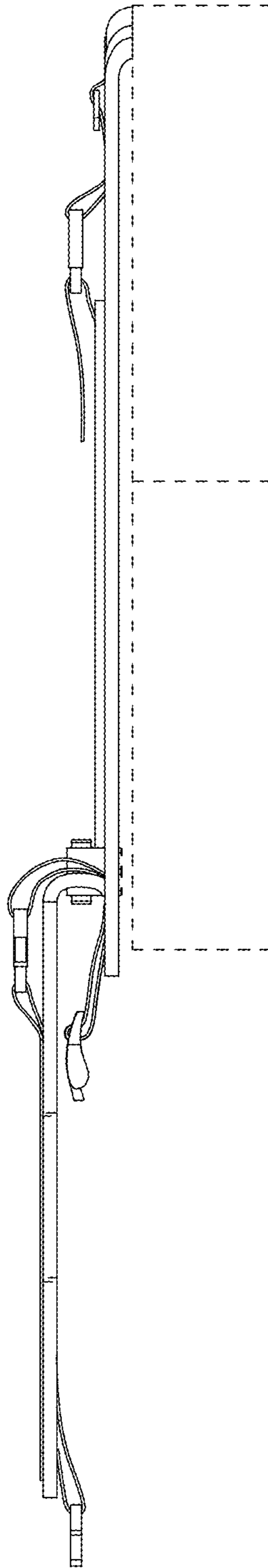


FIG.5

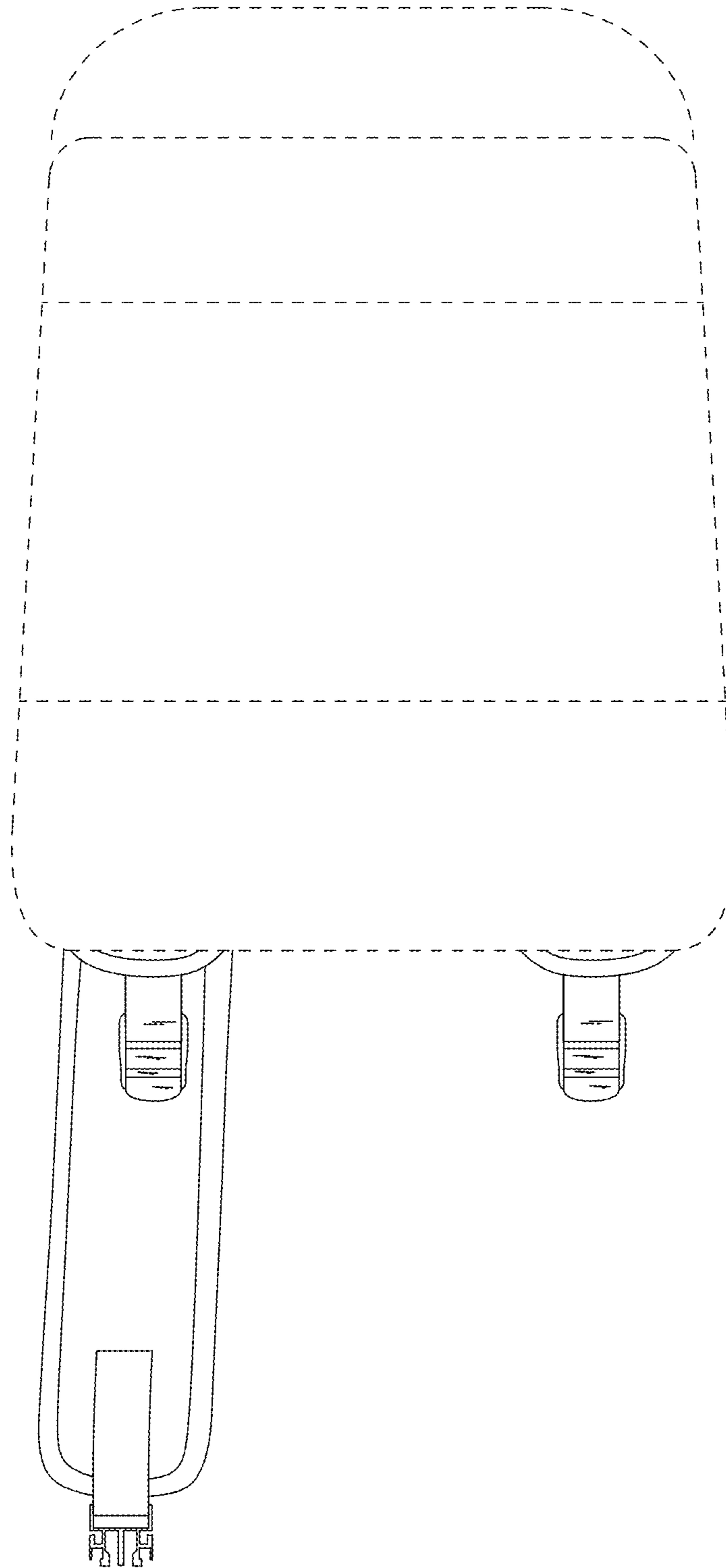


FIG. 6

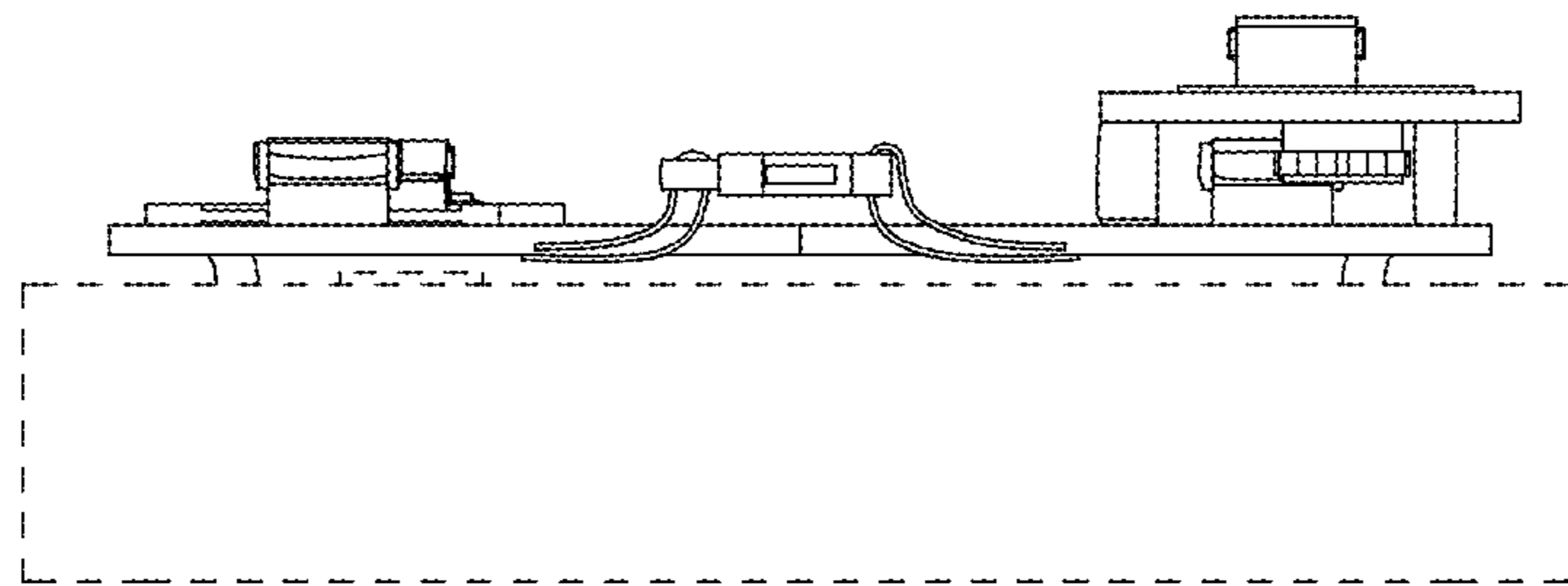


FIG. 7