



US00D959132S

(12) **United States Design Patent** (10) **Patent No.:** **US D959,132 S**
Stambler (45) **Date of Patent:** **** Aug. 2, 2022**

(54) **CONTAINER**
(71) Applicant: **Mushie & Co. LLC**, Houston, TX (US)
(72) Inventor: **Mushka Stambler**, Houston, TX (US)
(73) Assignee: **Mushie & Co. LLC**, Houston, TX (US)
(**) Term: **15 Years**
(21) Appl. No.: **29/755,411**
(22) Filed: **Oct. 20, 2020**
(51) **LOC (13) Cl.** **03-01**
(52) **U.S. Cl.**
USPC **D3/215**
(58) **Field of Classification Search**
USPC D3/215, 218, 226-229, 247, 249-252,
D3/272-273, 276, 294, 299-301,
D3/303-305, 315, 318, 328; D6/515,
D6/518-519; D30/161
CPC B65D 85/04; B65D 85/672; A47F 7/00;
A47G 21/12; A01K 23/00; E01H
2001/128; E01H 2001/1286; E01H
2001/126; E01H 2001/1273; E01H
1/1206
See application file for complete search history.

(56) **References Cited**
U.S. PATENT DOCUMENTS
D139,891 S * 1/1945 Phelps D3/226
D340,287 S * 10/1993 Hines D24/194
D423,675 S * 4/2000 Ramos, IV D24/194
D435,961 S * 1/2001 Weinstock D3/215
D436,435 S * 1/2001 Weinstock D3/215
D437,681 S * 2/2001 Weinstock D3/215
D552,248 S * 10/2007 Brawley D24/199
D667,749 S * 9/2012 Case D3/215
D680,321 S * 4/2013 Jones D3/218

D792,097 S * 7/2017 Bedford D3/270
D809,617 S * 2/2018 Fujisaki D21/780
10,315,122 B2 * 6/2019 Bedford A63H 3/50

FOREIGN PATENT DOCUMENTS

EM 008352272-0001 * 1/2021

OTHER PUBLICATIONS

Facebook user Mushie, photo posted Jun. 28, 2020, facebook.com [online], [site visited Feb. 4, 2022], Available at URL: https://www.facebook.com/mushieofficial/photos/607142506607047 (Year: 2020).*

(Continued)

Primary Examiner — Jeffrey D Asch
Assistant Examiner — Caitlin A Laverty
(74) *Attorney, Agent, or Firm* — Elevated IP, LLC

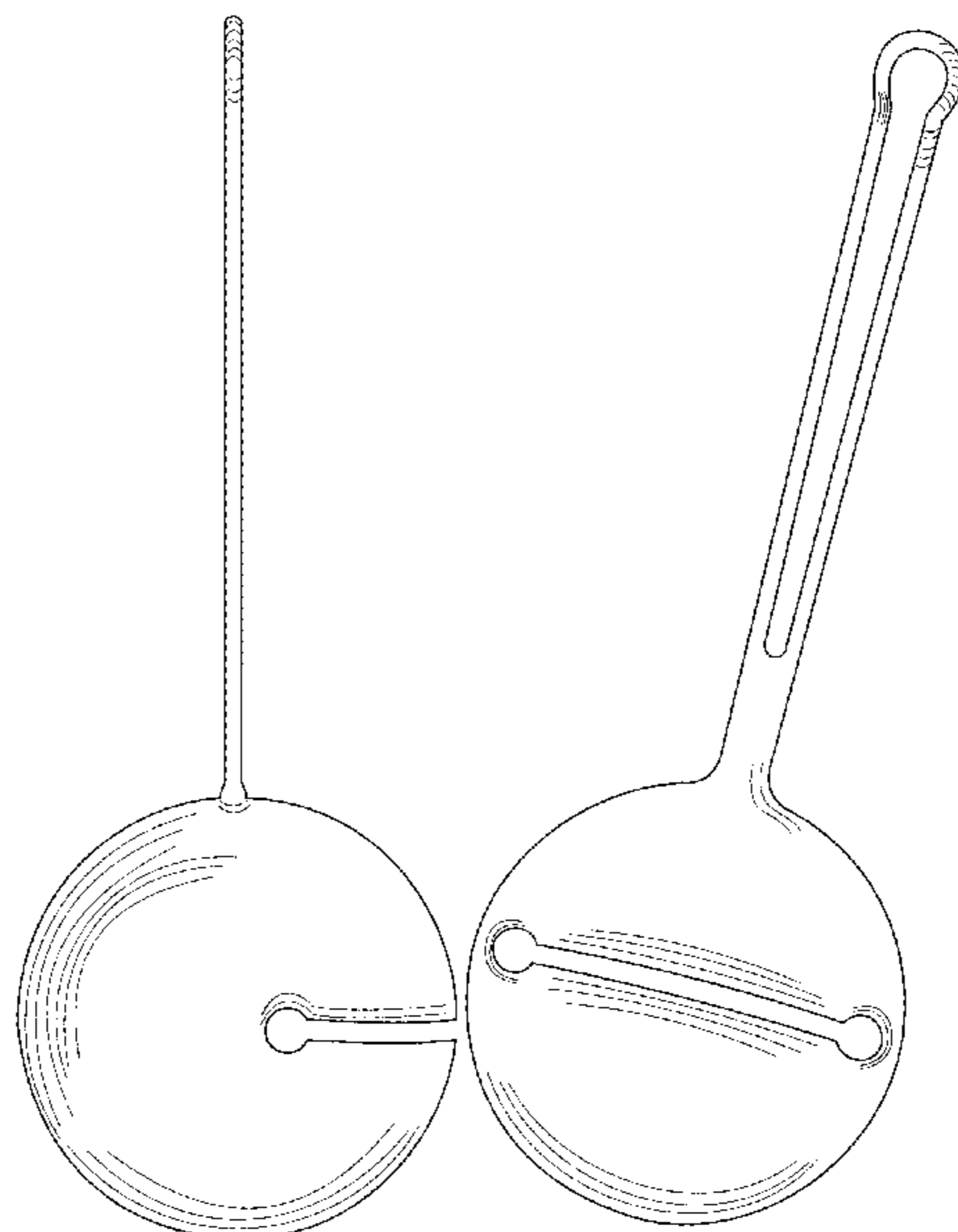
(57) **CLAIM**

The ornamental design for a container, as shown and described.

DESCRIPTION

FIG. 1 is a front view of an ornamental design for a container;
FIG. 2 is a back view thereof;
FIG. 3 is a right side view thereof;
FIG. 4 is a left side view thereof;
FIG. 5 is a top plan view thereof;
FIG. 6 is a bottom plan view thereof;
FIG. 7 is front perspective view thereof; and,
FIG. 8 is a side perspective view of the container girth hitched to an object.
The broken lines are for the purposes of illustrating environmental structure and form no part of the claimed design.

1 Claim, 7 Drawing Sheets



(56)

References Cited

OTHER PUBLICATIONS

Bambino's Boutique Pacifier, available no later than Aug. 17, 2021 based on customer photo review, amazon.ca [online], [site visited Feb. 4, 2022], Available at URL: <https://www.amazon.ca/Bambinos-Boutique-Pacifier-Teething-Soothers/dp/B09172PCSL/> (Year: 2021).*

BWWNBY Silicone Pacifier Case, unknown first available date, amazon.com [online], [site visited Feb. 4, 2022], Available at URL: <https://www.amazon.com/BWWNBY-Silicone-Pacifier-Infants-Mushroom/dp/B098QP2BWR/> (Year: 2022).*

Mushie—Silicone Case for Pacifier, available no later than Oct. 2020 based on customer photo reviews, amazon.com [online], [site visited Feb. 4, 2022], Available at URL: <https://www.amazon.com/mushie-Silicone-Pacifier-Holder-Cambridge/dp/B08MWMKN4N?th=1> (Year: 2020).*

* cited by examiner

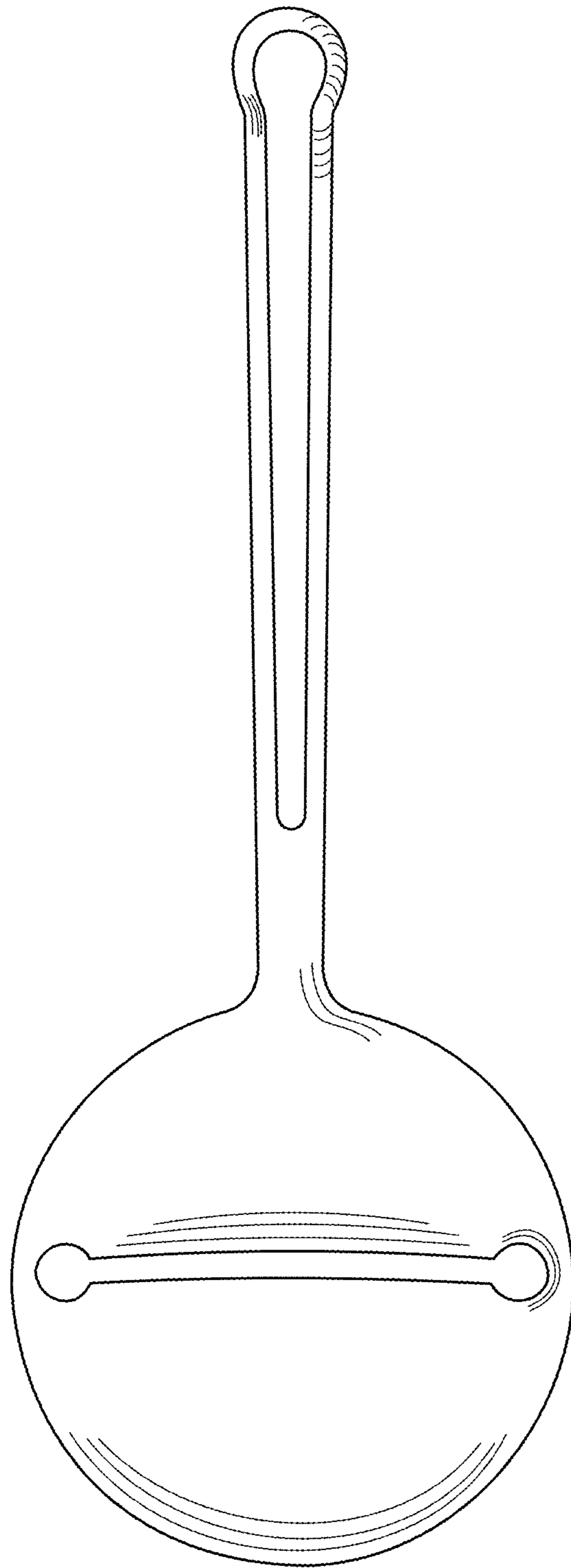


FIG. 1

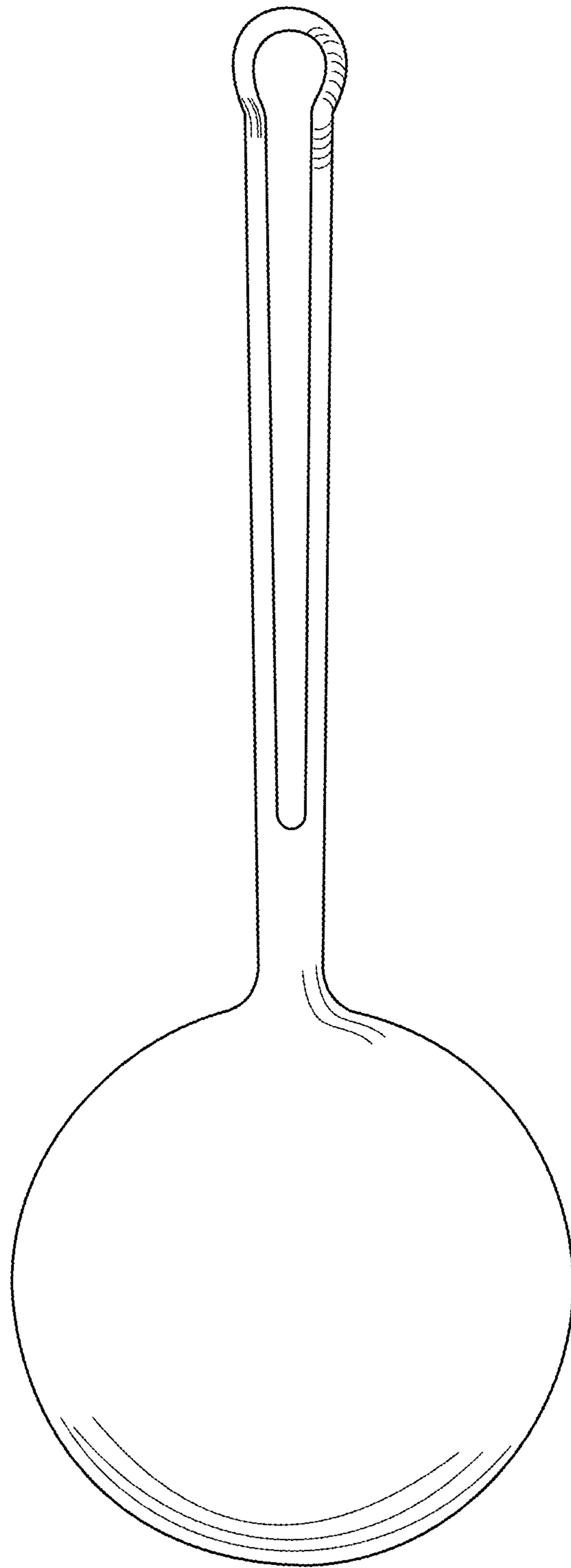


FIG. 2

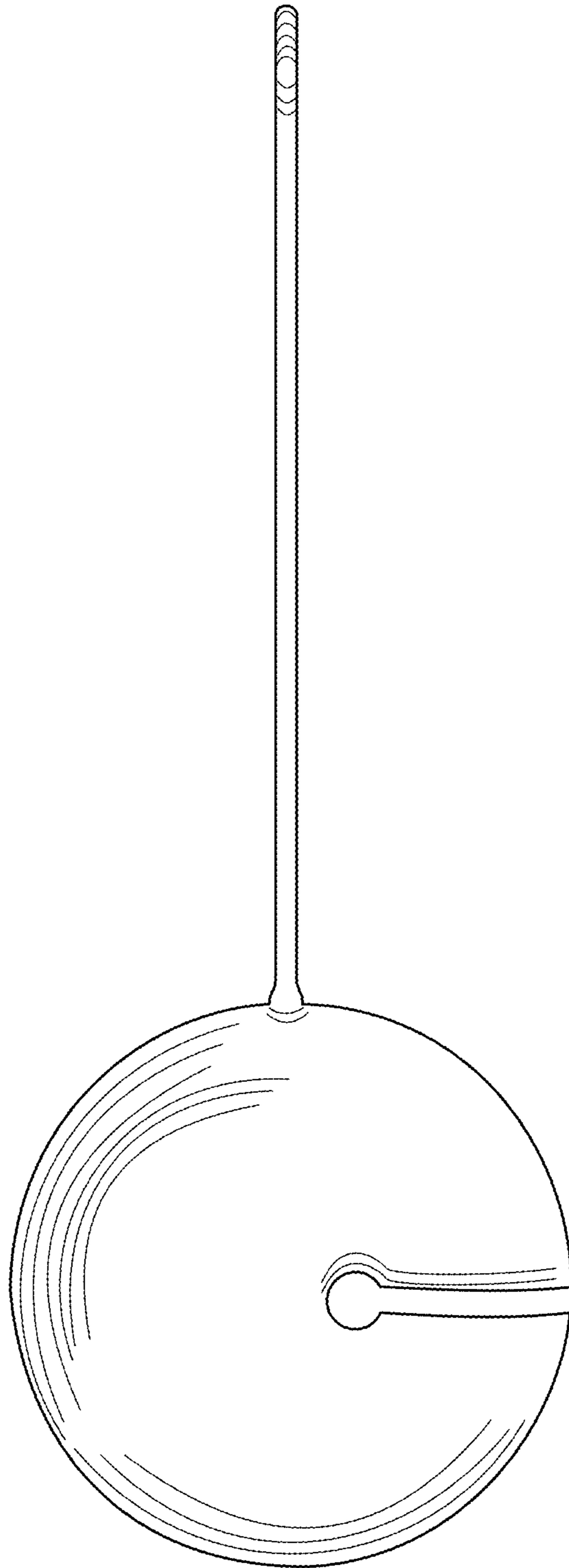


FIG. 3

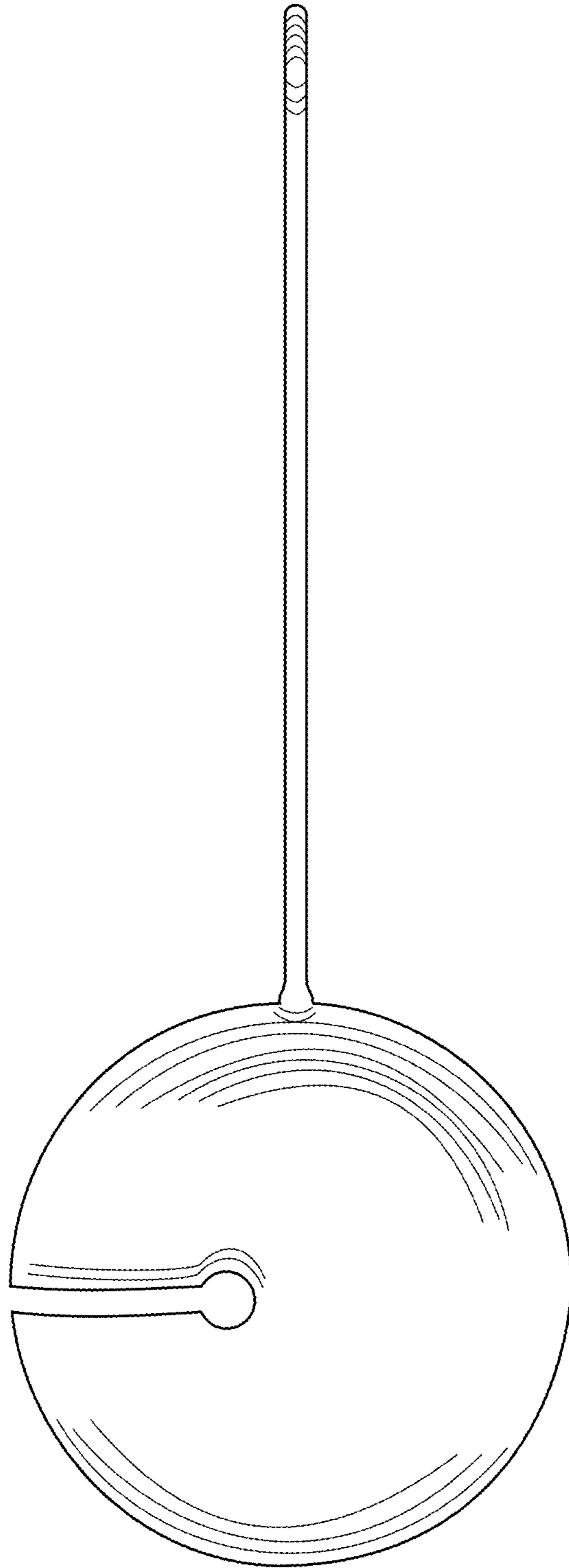


FIG. 4

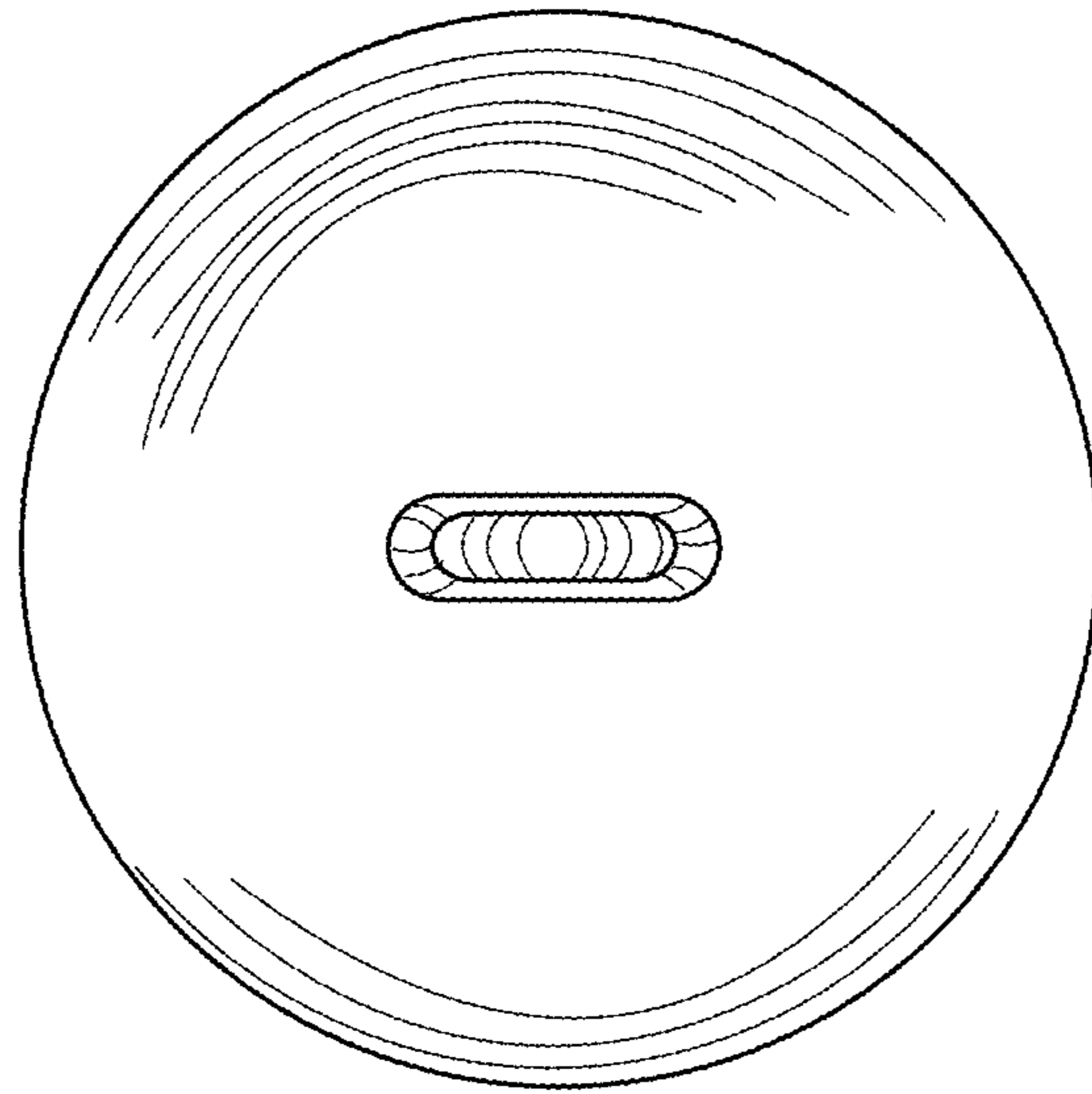


FIG. 5

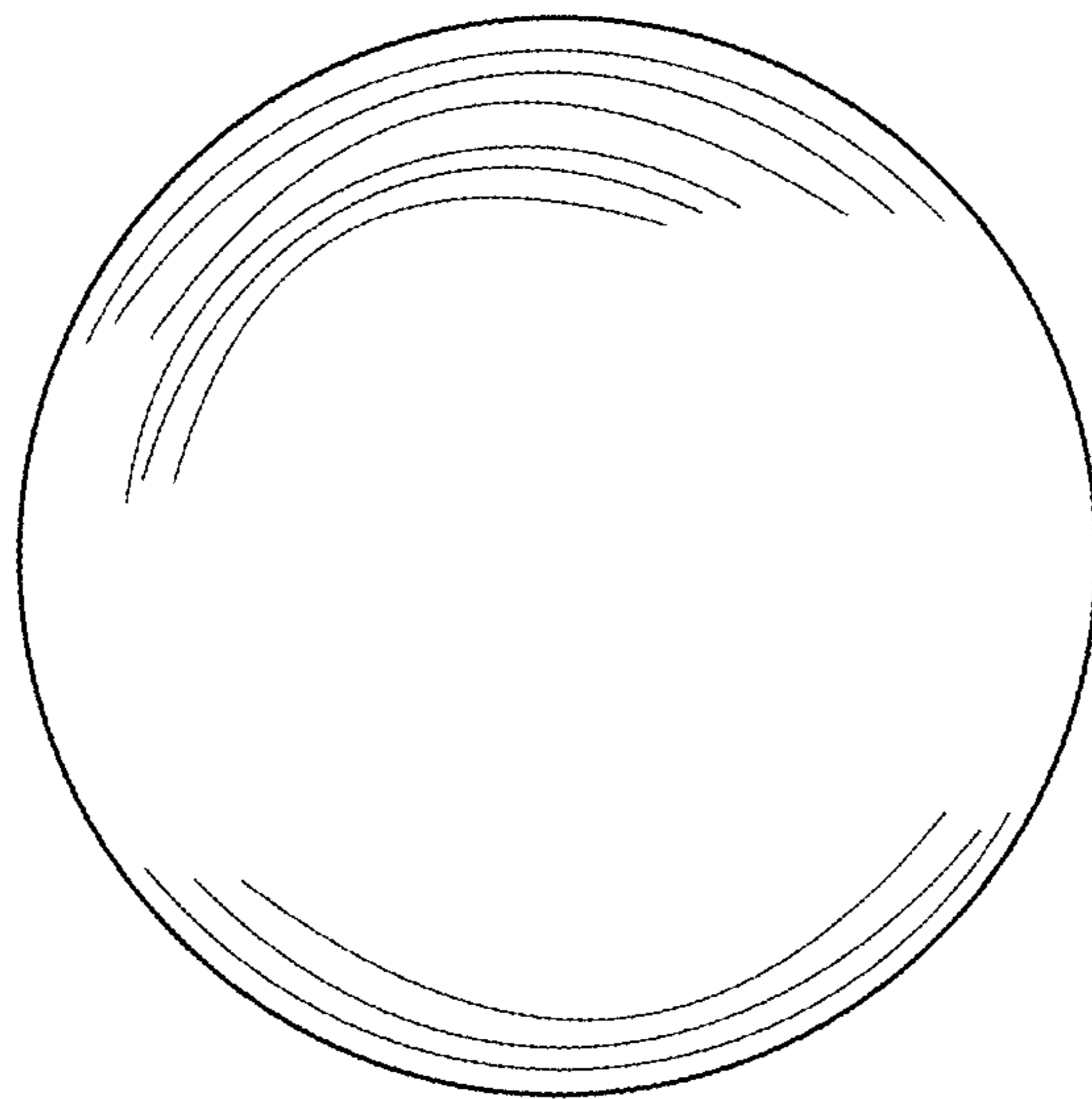


FIG. 6

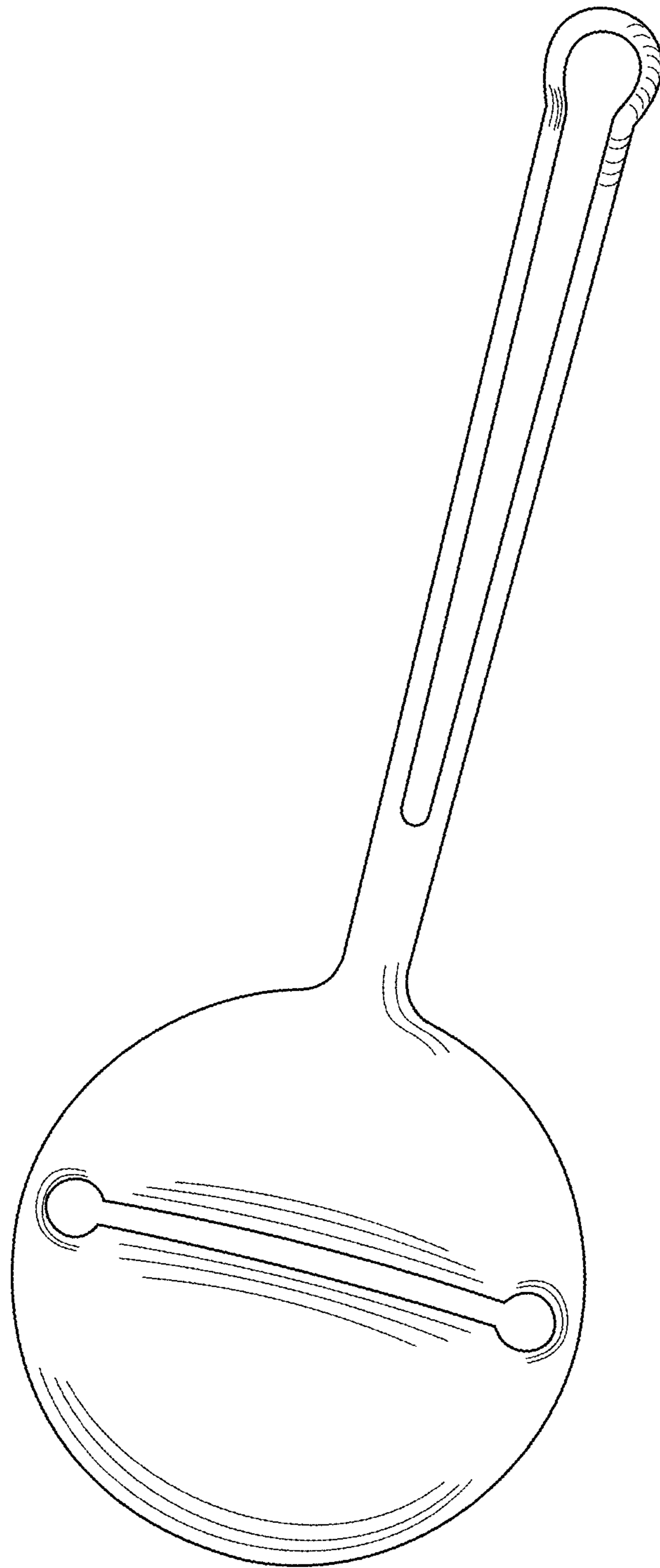


FIG. 7

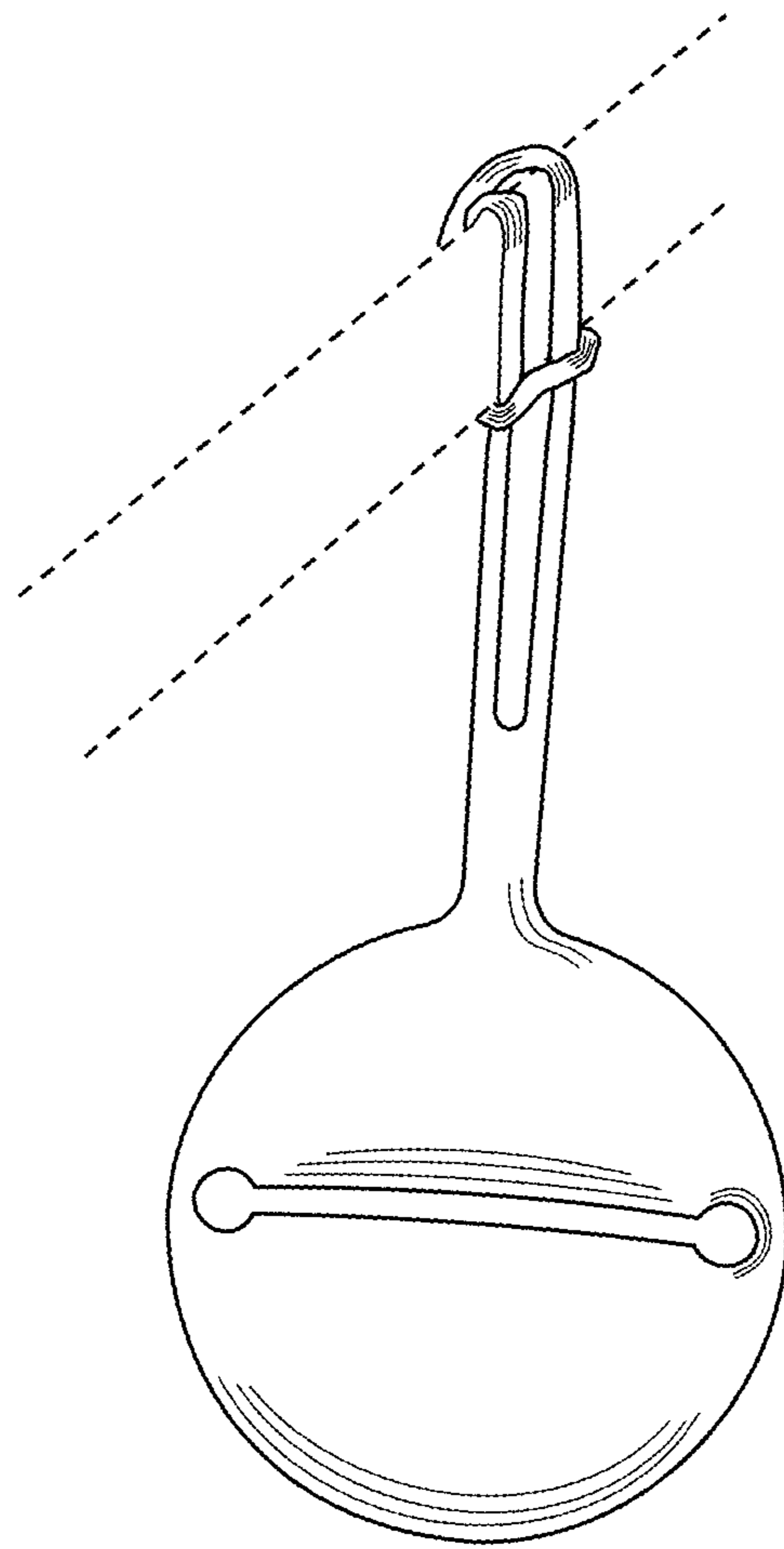


FIG. 8