



US00D959126S

(12) **United States Design Patent**
McClaskie

(10) **Patent No.:** **US D959,126 S**
(45) **Date of Patent:** **** Aug. 2, 2022**

- (54) **UPPER FOR A SHOE**
- (71) Applicant: **Columbia Insurance Company,**
Omaha, NE (US)
- (72) Inventor: **Thomas McClaskie,** Bethlehem, PA
(US)
- (**) Term: **15 Years**
- (21) Appl. No.: **29/760,549**
- (22) Filed: **Dec. 2, 2020**
- (51) **LOC (13) Cl.** **02-04**
- (52) **U.S. Cl.**
USPC **D2/969; D2/943; D2/916**
- (58) **Field of Classification Search**
USPC D2/898, 909, 913–919, 920, 922,
D2/927–931, 933, 936, 939, 940, 943,
D2/946, 947, 953, 954, 955, 957, 969,
D2/972, 977; 36/7.1 R, 84, 87, 91, 11.5,
36/43, 32 R, 25 R
CPC .. A43B 3/24; A43B 3/122; A43B 3/12; A43B
3/124; A43B 3/126; A43B 3/128; A43B
3/242; A43B 3/10; A43B 3/103; A43B
1/06
See application file for complete search history.

- D375,400 S * 11/1996 Bishop A43B 7/142
D2/969
- D417,942 S * 12/1999 Aguerre A43B 3/126
D2/918
- 6,021,585 A * 2/2000 Cole A43B 3/126
D2/903

(Continued)

FOREIGN PATENT DOCUMENTS

- CN 304511240 * 2/2018
- CN 304744407 * 7/2018

(Continued)

OTHER PUBLICATIONS

Holy Land, Market Unisex Biblical Leather Sandals, (Oct. 27, 2010), Amazon.com, [site visited: Mar. 25, 2022], Available from URL: <https://www.amazon.com/Holy-Land-Market-Biblical-Leather/dp/B0049G9CI2?th=1> (Year: 2010).*

(Continued)

Primary Examiner — T Chase Nelson
Assistant Examiner — Jamillah Khalil Abdullah
(74) *Attorney, Agent, or Firm* — IP Attorneys Group, LLC

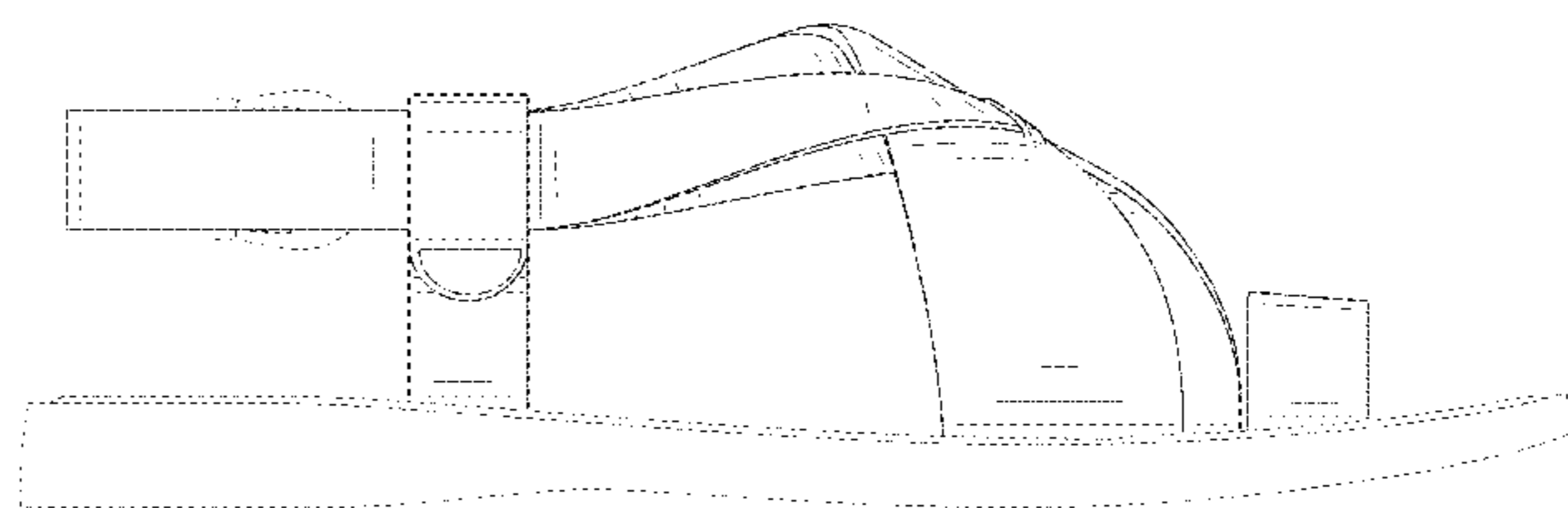
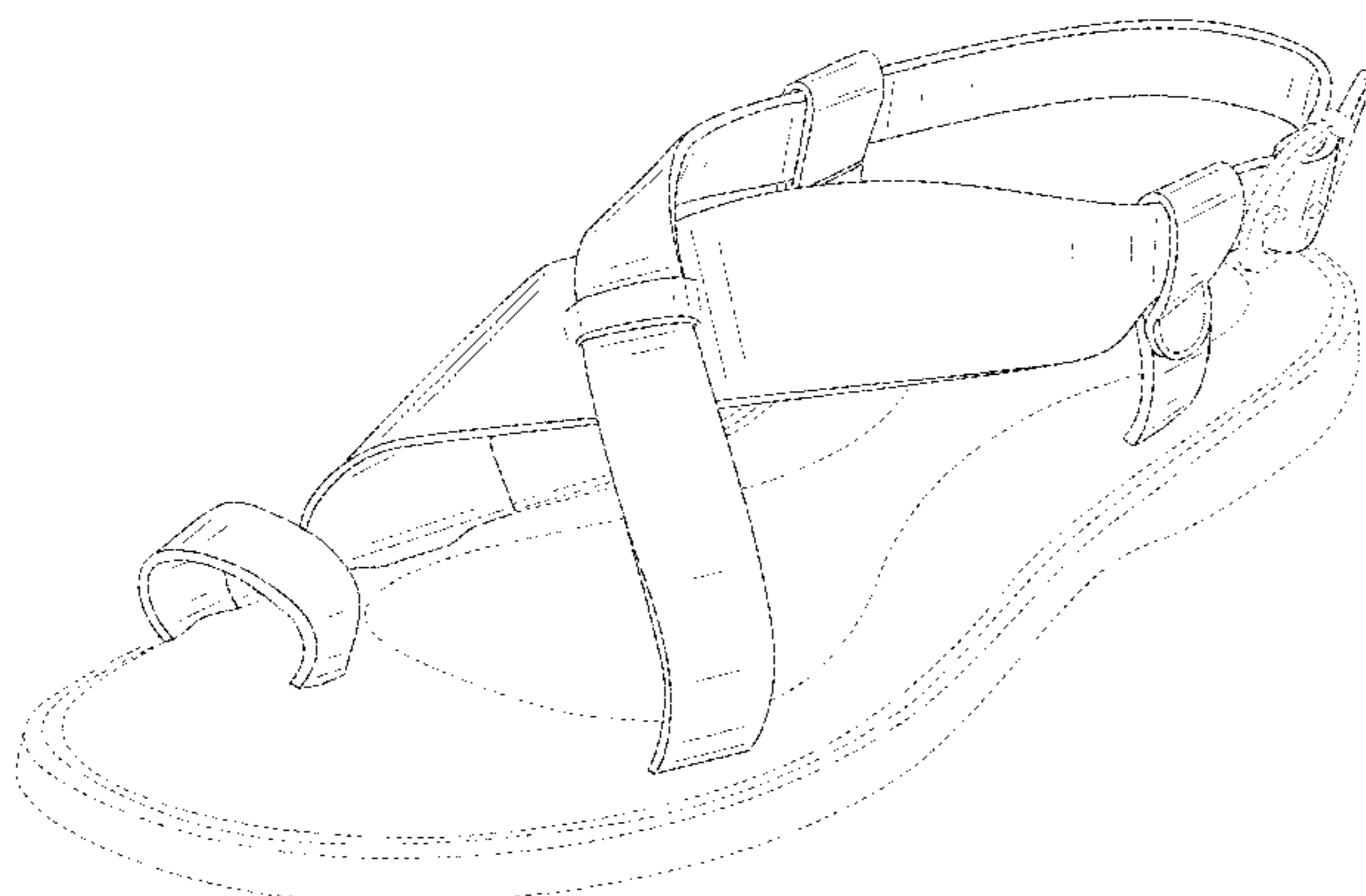
(57) **CLAIM**

The ornamental design for an upper for a shoe, as shown and described.

DESCRIPTION

FIG. 1 is a perspective view of an upper for a shoe in accordance with my new design;
FIG. 2 is a left side view thereof;
FIG. 3 is a right side view thereof;
FIG. 4 is a front view thereof;
FIG. 5 is a back view thereof; and,
FIG. 6 is a top view thereof.
The broken lines, and any unshaded regions therein, show environmental structure as well as portions of the upper for a shoe that form no part of the claimed design.

1 Claim, 4 Drawing Sheets



(56)

References Cited

U.S. PATENT DOCUMENTS

6,237,250 B1 * 5/2001 Aguerre A43B 3/126
36/11.5
D452,066 S * 12/2001 Dean D2/916
D461,042 S * 8/2002 Urie D2/916
6,606,803 B1 * 8/2003 Ritter A43C 11/1493
D2/916
6,694,641 B1 * 2/2004 Gill A43B 7/142
36/11.5
D543,344 S * 5/2007 Belley D2/916
D546,032 S * 7/2007 Issler D2/917
D546,047 S * 7/2007 Belley D2/917
D547,045 S * 7/2007 Belley D2/916
D547,537 S * 7/2007 Belley D2/916
D559,505 S * 1/2008 Hearn D2/916
D560,346 S * 1/2008 Belley D2/917
D560,900 S * 2/2008 Belley D2/916
D561,457 S * 2/2008 Andersen A43C 11/1493
D2/916
D563,089 S * 3/2008 Andersen D2/916
D563,091 S * 3/2008 St-Louis D2/916
D564,199 S * 3/2008 Belley D2/917
D565,287 S * 4/2008 Belley D2/917
D594,642 S * 6/2009 Hansen D2/916
D622,047 S * 8/2010 Issler A43B 3/36
D2/971
D622,048 S * 8/2010 Issler A61F 5/14
D2/971
D711,079 S * 8/2014 Issler H01L 29/78
D2/917
D813,514 S * 3/2018 McClaskie D2/971
D814,770 S * 4/2018 McClaskie D2/971
D814,771 S * 4/2018 McClaskie D2/971
D880,117 S * 4/2020 Rübenach D2/917
11,000,098 B2 * 5/2021 Fogg A43C 11/1493
D922,740 S * 6/2021 Post D2/951
11,185,433 B2 * 11/2021 Brass A43B 3/12
2011/0061262 A1 * 3/2011 Krauss A61F 5/14
36/43
2016/0007673 A1 * 1/2016 McDonald H01L 29/78
36/11.5
2017/0000208 A1 * 1/2017 Smith, III A43B 3/12
D2/916
2017/0143071 A1 * 5/2017 Huang A43B 3/126
2017/0367435 A1 * 12/2017 Smith, III A43B 3/36
2019/0350304 A1 * 11/2019 Velazquez A43B 5/00
2020/0229531 A1 * 7/2020 Driscoll A43B 3/122
2020/0329808 A1 * 10/2020 Bialuk A43B 3/103
2020/0337412 A1 * 10/2020 Velazquez A43B 3/122

FOREIGN PATENT DOCUMENTS

CN 304860031 * 10/2018
JP D1677551 * 1/2021
KR 301044825.0000 * 2/2020
WO D209402-001 * 1/2021
WO D218244-007 * 1/2022

OTHER PUBLICATIONS

Holy Land, Market Unisex Genuine Leather Biblical Sandals, (Oct. 26, 2010), Amazon.com, [site visited: Mar. 25, 2022], Available from URL: https://www.amazon.com/Unisex-Genuine-Leather-Biblical-Sandals/dp/B0049HEFW?ref_=ast_sto_dp&th=1&psc=1 (Year: 2010).*

Franco Sarto, Sarto Gia Sandal, (2016), Franco Sarto, [site visited: Mar. 25, 2022], Available from URL: <https://www.francosarto.com/product/womens-sarto-gia-sandal-5249185/multi-leather-48178> (Year: 2016).*

Franco Sarto, Franco Glenni Sandal, (2021), Franco Sarto, [site visited: Mar. 25, 2022], Available from URL: <https://www.francosarto.com/product/womens-franco-gl20enni-sandal-5263449/dark-brown-leather-08487> (Year: 2021).*

Jerusalem Sandals, Benjamin Leather Slingback Sandal, (2021), JerusalemSandals.com, Available from URL: <https://jerusalem sandals.com/collections/men/products/benjamin-brown-1?variant=19765982920800> (Year: 2021).*

Jerusalem Sandals, Mara Leather Thin Ankle Strap Sandal, (2021), JerusalemSandals.com, Available from URL: <https://jerusalem sandals.com/collections/closed-womens/products/mara-tan?variant=19760366059616> (Year: 2021).*

Jerusalem Sandals, The Good Shepherd Leather Buckle Sandal, (2021), JerusalemSandals.com, Available from URL: <https://jerusalem sandals.com/collections/men/products/the-good-shepherd-buckle-brown-1?variant=19765984559200> (Year: 2021).*

Guardian Pvc Designer Men Leather Sandals, (2022), IndiaMart, [site visited: Mar. 25, 2022], Available from URL: <https://www.indiamart.com/proddetail/designer-men-leather-sandal-21008221473.html> (Year: 2022).*

Jerusalem Sandals, AMOS Leather Ankle Strap Sandal, (2022), Walmart.com, [site visited: Mar. 25, 2022], Available from URL: <https://www.walmart.com/ip/Amos-Leather-Ankle-Strap-Flat-Sandal-Mens-Sandals/855004884> (Year: 2022).*

* cited by examiner

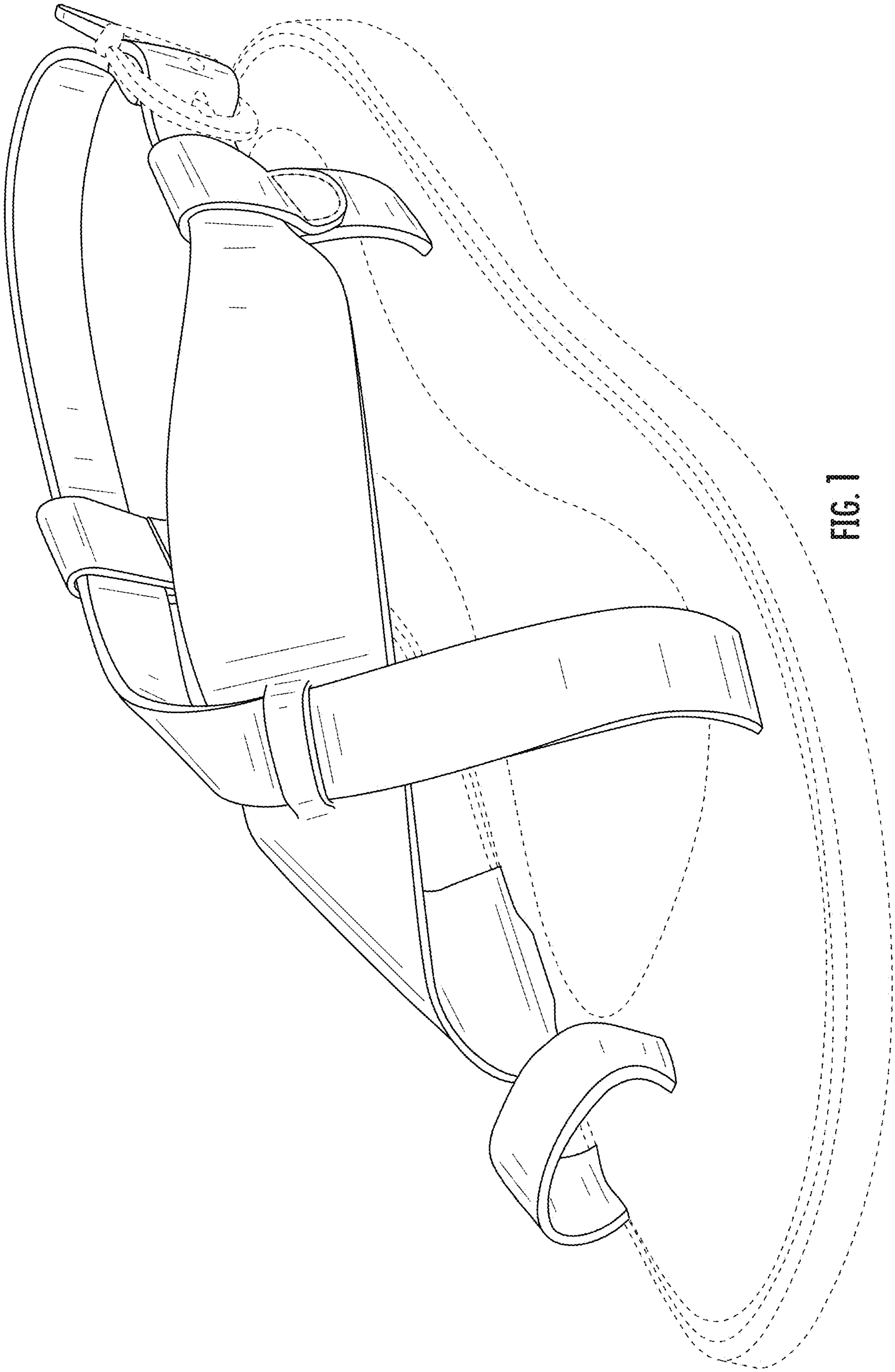


FIG. 1

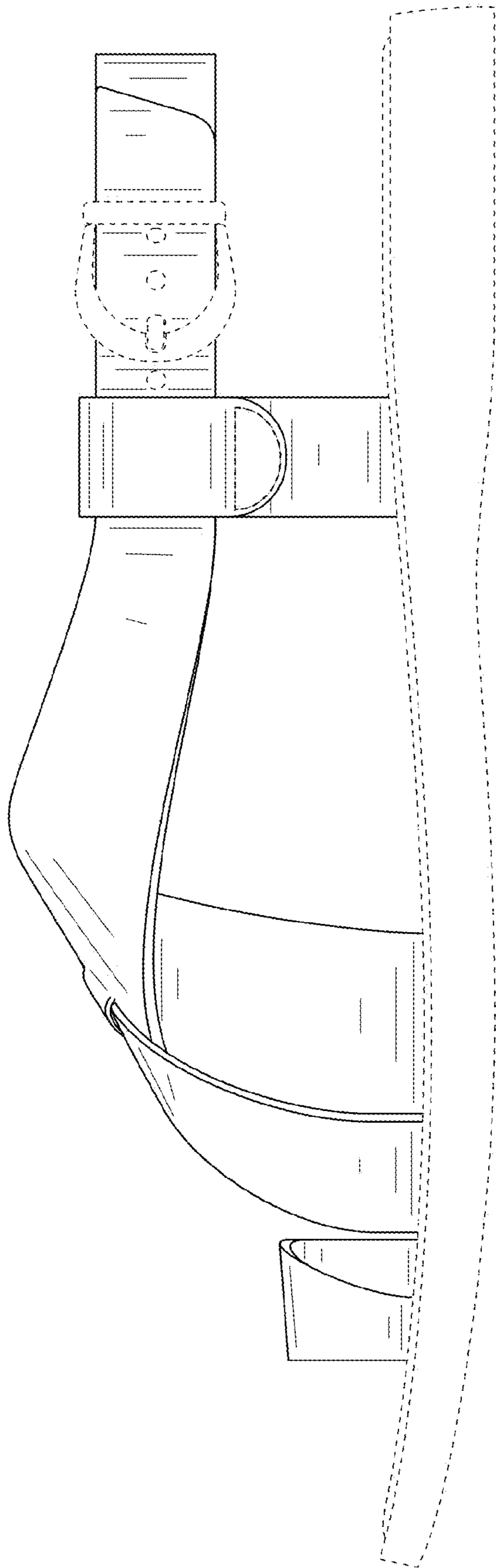


FIG. 2

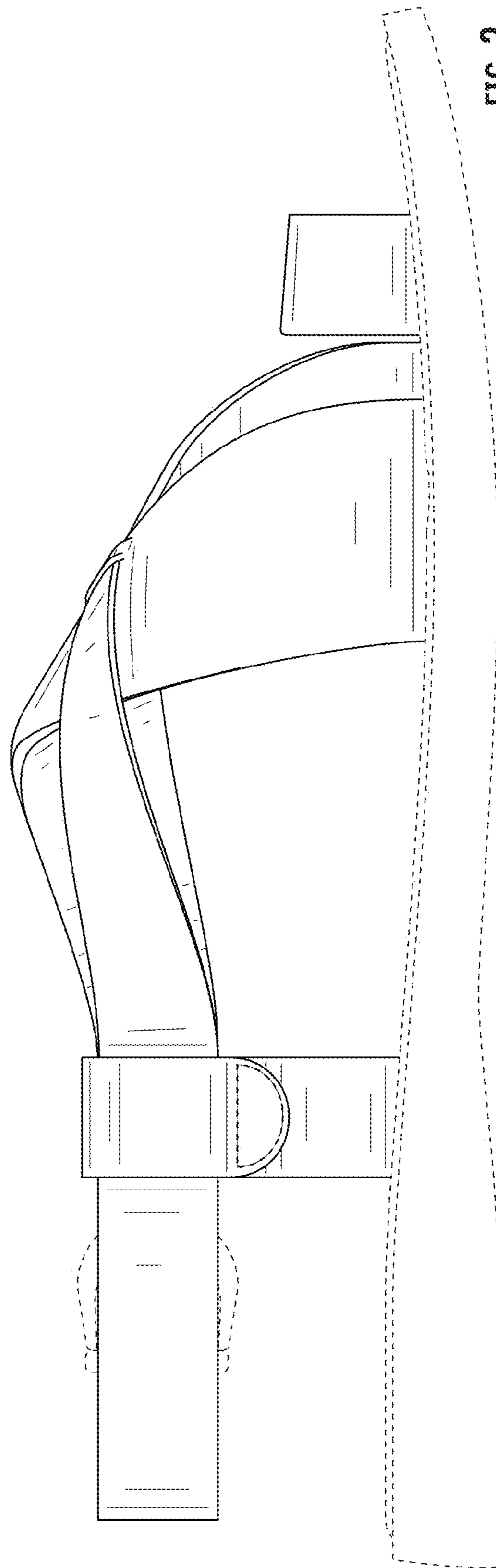


FIG. 3

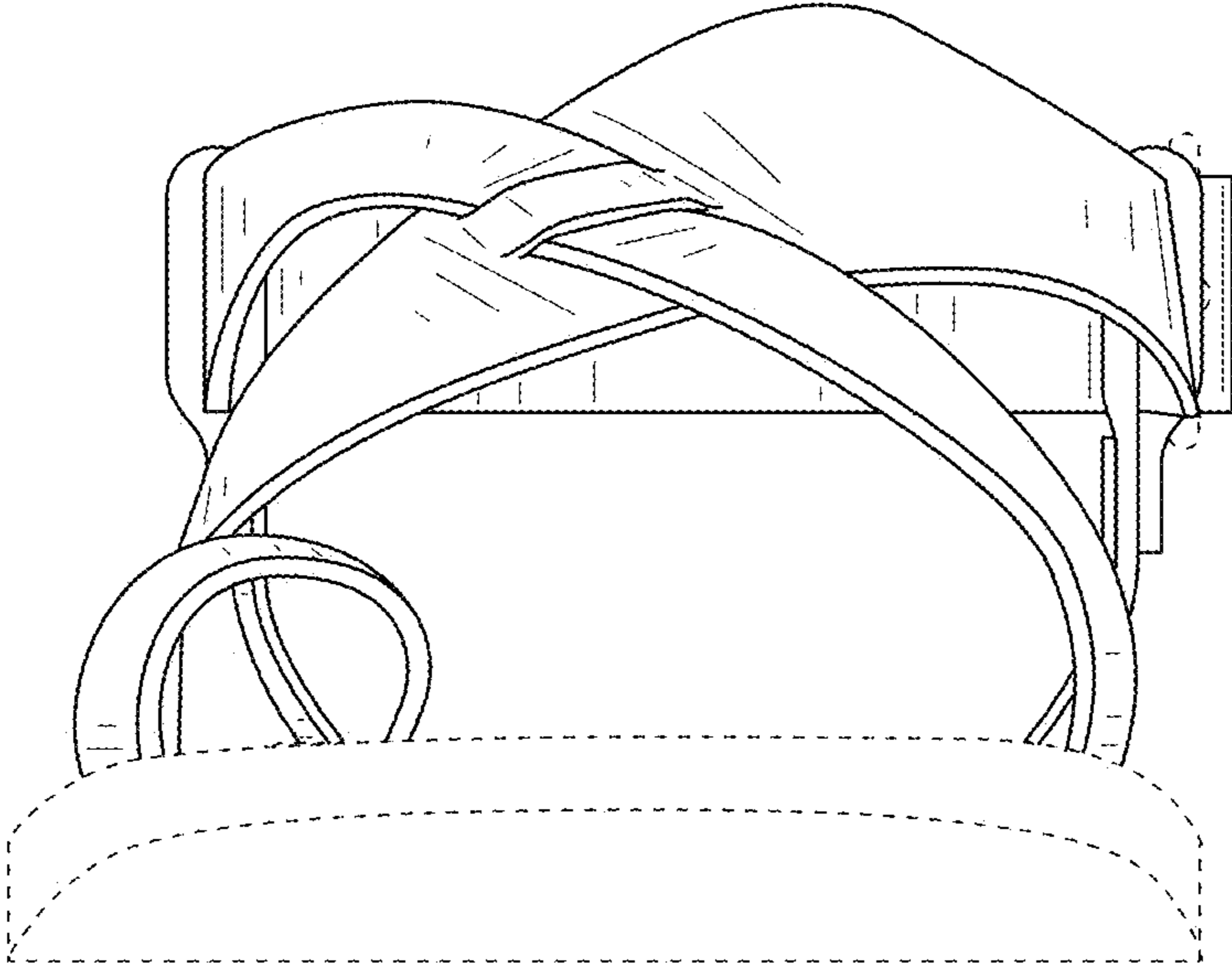


FIG. 4

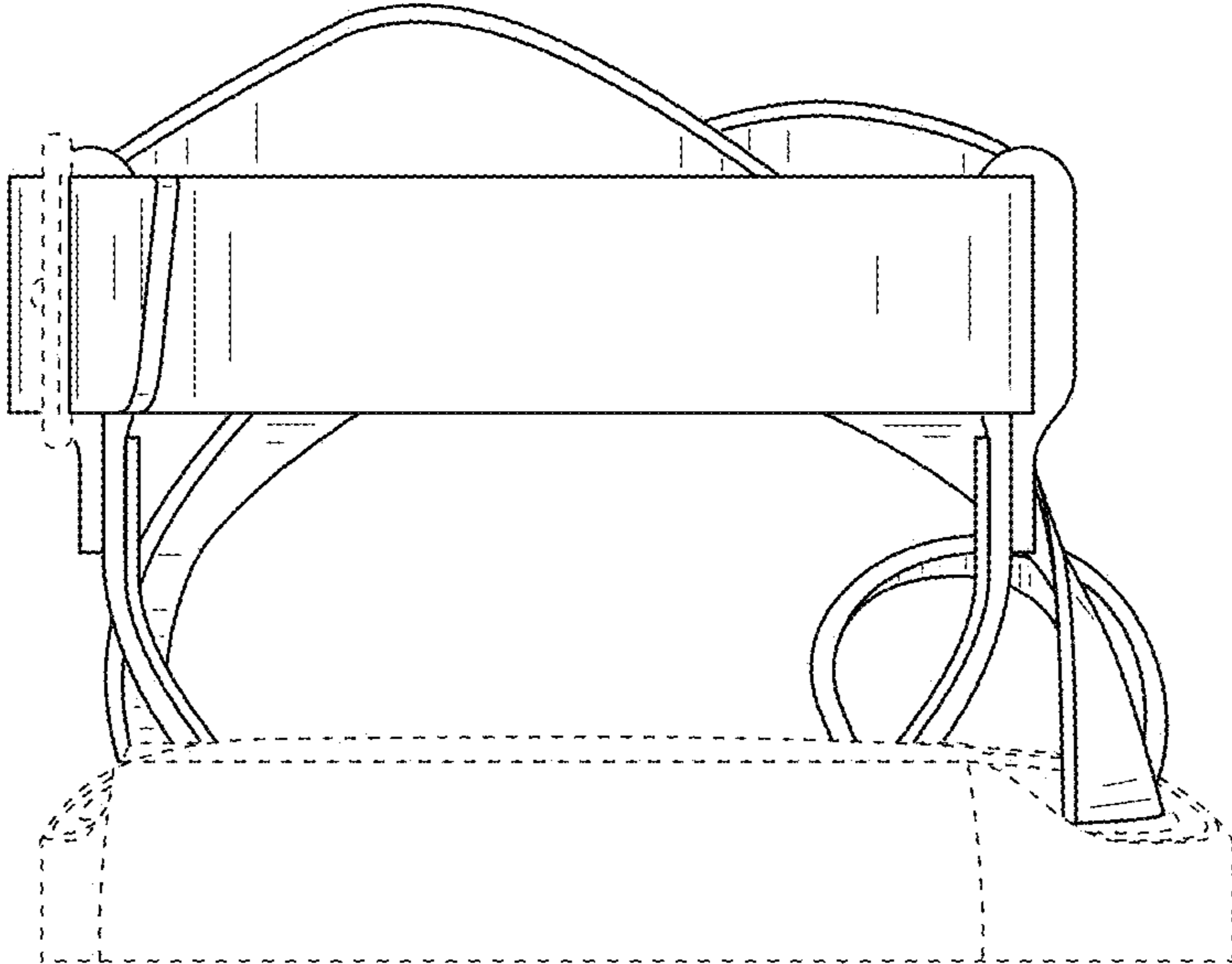


FIG. 5

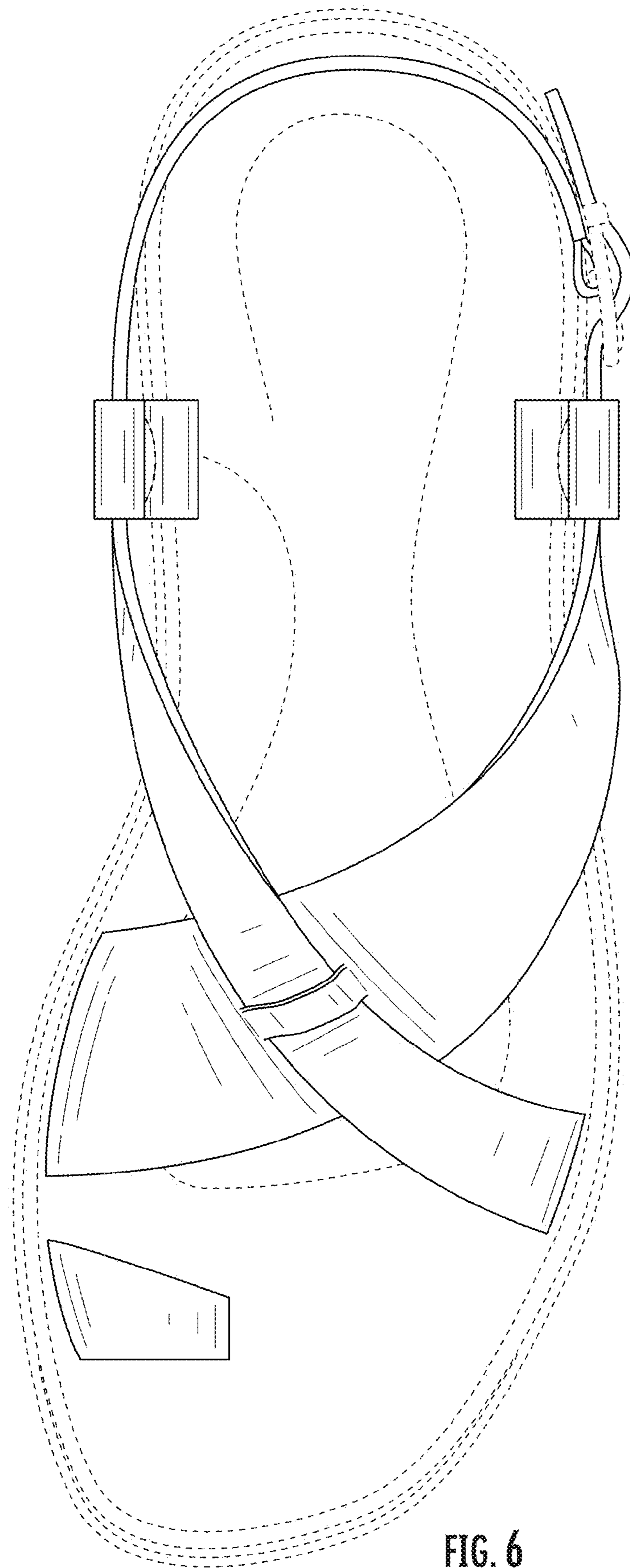


FIG. 6