



US00D959124S

(12) **United States Design Patent**
Mace

(10) **Patent No.:** **US D959,124 S**
(45) **Date of Patent:** **** Aug. 2, 2022**

- (54) **SHOE**
- (71) Applicant: **PUMA SE**, Herzogenaurach (DE)
- (72) Inventor: **Thomas Mace**, Nuremberg (DE)
- (73) Assignee: **PUMA SE**, Herzogenaurach (DE)
- (**) Term: **15 Years**
- (21) Appl. No.: **29/700,004**
- (22) Filed: **Jul. 30, 2019**

Related U.S. Application Data

- (63) Continuation of application No. 29/699,176, filed on Jul. 23, 2019, now Pat. No. Des. 935,760.
- (51) **LOC (13) Cl.** **02-04**
- (52) **U.S. Cl.**
USPC **D2/969**
- (58) **Field of Classification Search**
USPC D2/896, 902, 905, 906, 907, 908, 910, D2/911, 912, 943, 944, 945, 946, 947, D2/969, 972, 973, 976, 977, 978; 36/3 B, 36/22 R, 24.5, 25 R, 28, 32 R, 59 C, 36/67 A, 103
CPC A43B 13/02; A43B 13/00; A43B 13/023; A43B 13/026; A43B 13/04; A43B 13/08; A43B 13/10; A43B 13/12; A43B 13/14; A43B 13/141; A43B 13/143
See application file for complete search history.

(56) **References Cited**

U.S. PATENT DOCUMENTS

- 1,416,203 A 5/1922 Orlen
- 1,538,454 A 5/1925 Stephan
- D132,196 S * 4/1942 Daniels D2/972
- D132,197 S * 4/1942 Daniels D2/972
- 2,675,631 A 4/1954 Carr
- 2,679,117 A 5/1954 Reed

- 6,240,657 B1 6/2001 Weber et al.
 - D541,516 S * 5/2007 Lane, III D2/906
 - D563,657 S * 3/2008 Matis D2/969
 - D574,136 S * 8/2008 Avar D2/969
 - 7,743,476 B2 6/2010 Rock et al.
- (Continued)

FOREIGN PATENT DOCUMENTS

- CN 1143310 A 2/1997
 - CN 101267752 A 9/2008
- (Continued)

OTHER PUBLICATIONS

International Search Report and Written Opinion for PCT/EP2017/000750, dated Mar. 14, 2018, 20 pages.

Primary Examiner — Garth Rademaker

Assistant Examiner — Laura H Yu

(74) *Attorney, Agent, or Firm* — Quarles & Brady LLP

(57) **CLAIM**

The ornamental design for a shoe, as shown and described.

DESCRIPTION

FIG. 1 is a top, right, and front perspective view of an ornamental design for a shoe;

FIG. 2 is a front elevational view of the shoe of FIG. 1;

FIG. 3 is a rear elevational view of the shoe of FIG. 1;

FIG. 4 is a left side elevational view of the shoe of FIG. 1;

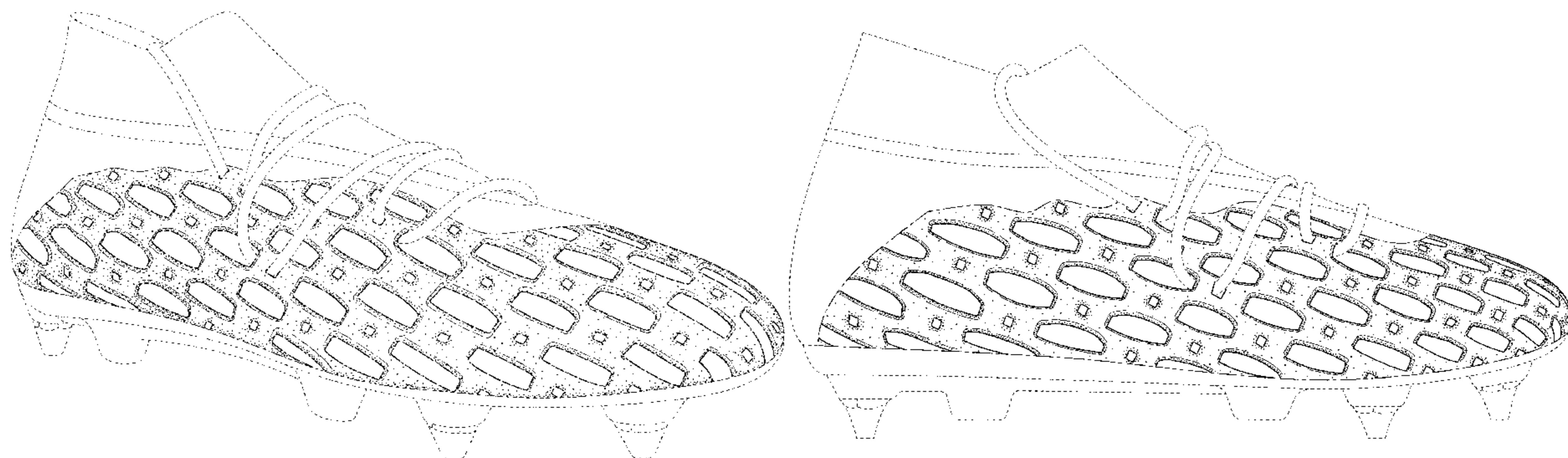
FIG. 5 is a right side elevational view of the shoe of FIG. 1;

FIG. 6 is a top plan view of the shoe of FIG. 1; and,

FIG. 7 is a bottom plan view of the shoe of FIG. 1.

The dash-dash-dash broken lines are included for the purpose of illustrating portions of the shoe that form no part of the claimed design. The dash-dot-dash lines are included for the purpose of illustrating boundary lines and form no part of the claimed design.

1 Claim, 7 Drawing Sheets



(56)

References Cited

U.S. PATENT DOCUMENTS

7,774,956 B2 8/2010 Dua et al.
 D648,110 S 11/2011 Rasmussen
 D667,621 S * 9/2012 Portzline D2/969
 D689,684 S 9/2013 McMillan
 8,657,773 B2 2/2014 Ostergard
 D718,036 S 11/2014 McMillan
 8,875,418 B2 11/2014 Long
 8,881,430 B2 11/2014 Seamarks et al.
 8,950,088 B2 2/2015 Aveni et al.
 9,113,674 B2 8/2015 Dojan
 D740,538 S 10/2015 Roulo
 9,192,204 B1 11/2015 Liles et al.
 D746,558 S 1/2016 Campbell et al.
 D756,621 S 5/2016 Weddle
 D768,977 S 10/2016 Seamarks et al.
 9,498,023 B2 11/2016 Craig
 9,510,637 B2 12/2016 Podhajny et al.
 9,532,626 B2 1/2017 Lovett et al.
 9,700,101 B2 7/2017 Lovett et al.
 9,737,117 B2 8/2017 Nonogawa et al.
 D814,776 S 4/2018 Odinot
 D815,413 S 4/2018 Weddle
 9,936,757 B2 4/2018 Podhajny
 10,051,918 B2 8/2018 Dombrow et al.
 D829,425 S 10/2018 Albrecht et al.
 10,194,714 B2 2/2019 McGinnity et al.
 D846,256 S * 4/2019 Khalife D2/969
 10,251,448 B2 4/2019 Klug et al.
 10,316,441 B2 6/2019 Ly
 10,327,511 B2 6/2019 Boys et al.
 10,499,709 B2 12/2019 Pollack et al.
 10,694,817 B2 6/2020 McGinnity et al.
 10,702,017 B2 7/2020 Taylor
 10,743,618 B2 8/2020 Bruce et al.
 10,765,173 B2 9/2020 Wilson
 10,786,035 B2 9/2020 Howe
 10,806,210 B2 10/2020 Bruce et al.
 10,844,526 B2 11/2020 Brinkman et al.
 10,905,197 B2 2/2021 Lee et al.
 D911,678 S * 3/2021 Petrie D2/902
 10,945,482 B2 3/2021 Schoppel et al.
 D932,762 S * 10/2021 Vella D2/973
 2004/0181972 A1 9/2004 Csorba
 2006/0059715 A1 3/2006 Aveni
 2006/0283042 A1 12/2006 Greene et al.
 2007/0180730 A1 8/2007 Greene et al.
 2008/0110048 A1 5/2008 Bhupesh et al.
 2009/0056384 A1 3/2009 Sayer et al.
 2010/0154256 A1 6/2010 Dua
 2015/0059209 A1 3/2015 Dekovic et al.
 2015/0289592 A1 10/2015 Song
 2015/0359290 A1 12/2015 Podhajny et al.

2016/0255913 A1 9/2016 Uchikawa et al.
 2016/0302524 A1 10/2016 Smith
 2016/0302527 A1 10/2016 Meir
 2016/0324269 A1 11/2016 Dombrow et al.
 2016/0345675 A1 12/2016 Bruce et al.
 2016/0345677 A1 12/2016 Bruce et al.
 2016/0360828 A1 12/2016 Guyan
 2017/0006965 A1 1/2017 Musho et al.
 2017/0035149 A1 2/2017 Bruce et al.
 2017/0049187 A1 2/2017 Aristizabal et al.
 2017/0071290 A1 3/2017 Follet et al.
 2017/0071291 A1 3/2017 Follet et al.
 2018/0035759 A1 2/2018 Pollack et al.
 2018/0042333 A1 2/2018 Manos-Gully et al.
 2018/0103714 A1 4/2018 Howe
 2018/0135213 A1 5/2018 Bell et al.
 2018/0255875 A1 9/2018 McGinnity et al.
 2018/0255876 A1 9/2018 McGinnity et al.
 2018/0332920 A1 11/2018 Burch
 2018/0368506 A1 12/2018 Bruce et al.
 2019/0037966 A1 2/2019 Aceves Tinajero et al.
 2019/0116914 A1 4/2019 Schoppel et al.
 2019/0223541 A1 7/2019 Aceves Tinajero et al.
 2019/0328075 A1 10/2019 Poulsen et al.
 2020/0022447 A1 1/2020 Durrell et al.
 2020/0046078 A1 2/2020 Durrell et al.
 2020/0048800 A1 2/2020 McFarland, II et al.
 2020/0281302 A1 9/2020 Hipp et al.
 2020/0390185 A1 12/2020 Howe
 2021/0007443 A1 1/2021 Siegismund et al.
 2021/0052039 A1 2/2021 Johnson et al.
 2021/0076776 A1 3/2021 Siegismund et al.
 2021/0186156 A1 6/2021 Pogl et al.
 2021/0368945 A1 12/2021 Bell et al.

FOREIGN PATENT DOCUMENTS

CN 102497792 A 6/2012
 CN 103517647 A 1/2014
 CN 203633581 U 6/2014
 CN 203748765 U 8/2014
 CN 205682613 U 11/2016
 CN 206182490 U 5/2017
 CN 108125314 A 6/2018
 EP 1219195 A1 7/2002
 EP 1219196 A1 7/2002
 EP 3114951 A1 1/2017
 EP 3138431 A1 3/2017
 FR 389990 A 9/1908
 FR 171635 A 11/1914
 GB 190907001 A 10/1909
 JP 2005046520 A 2/2005
 WO 2020033794 A1 2/2020

* cited by examiner

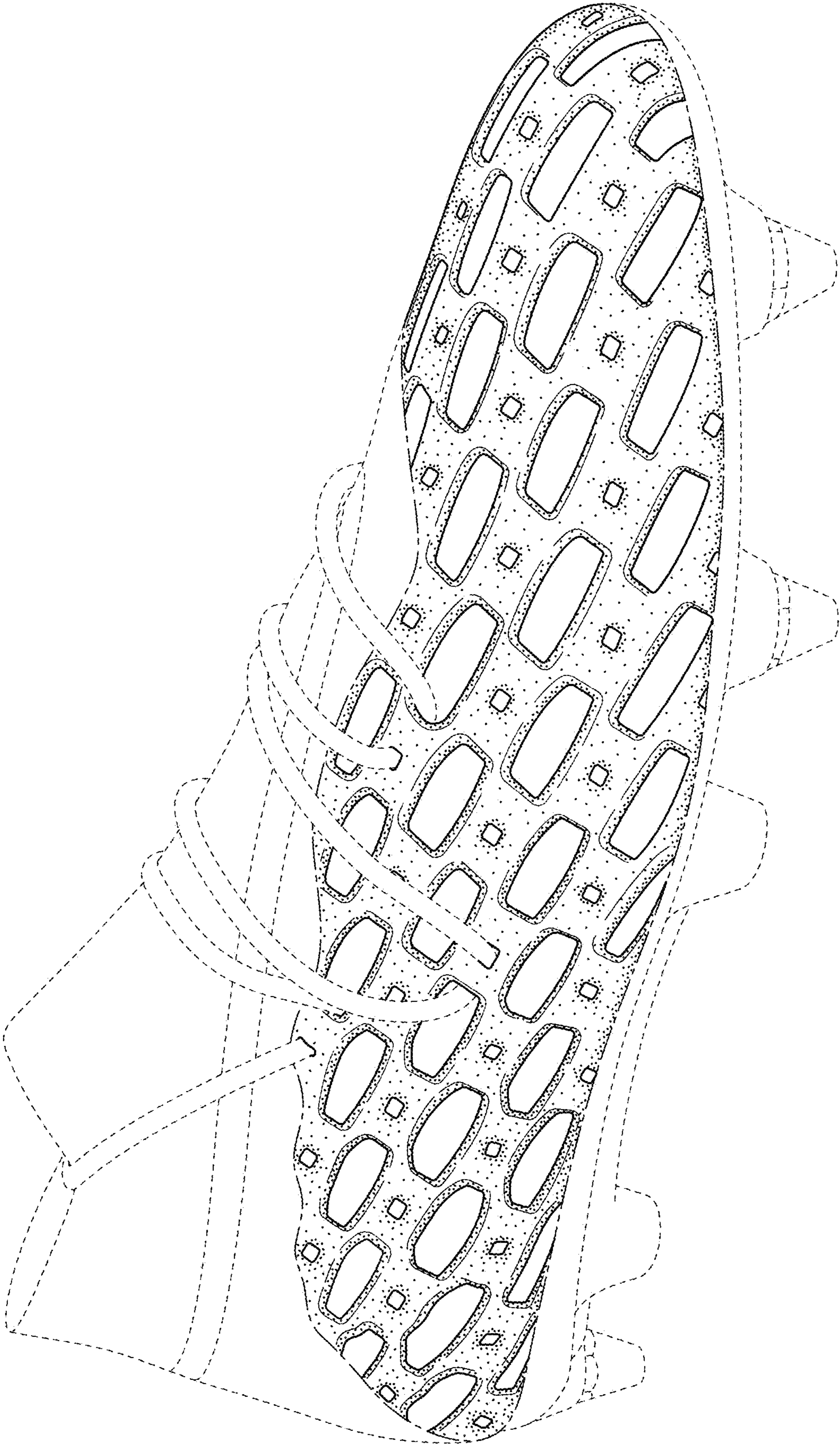


FIG. 1

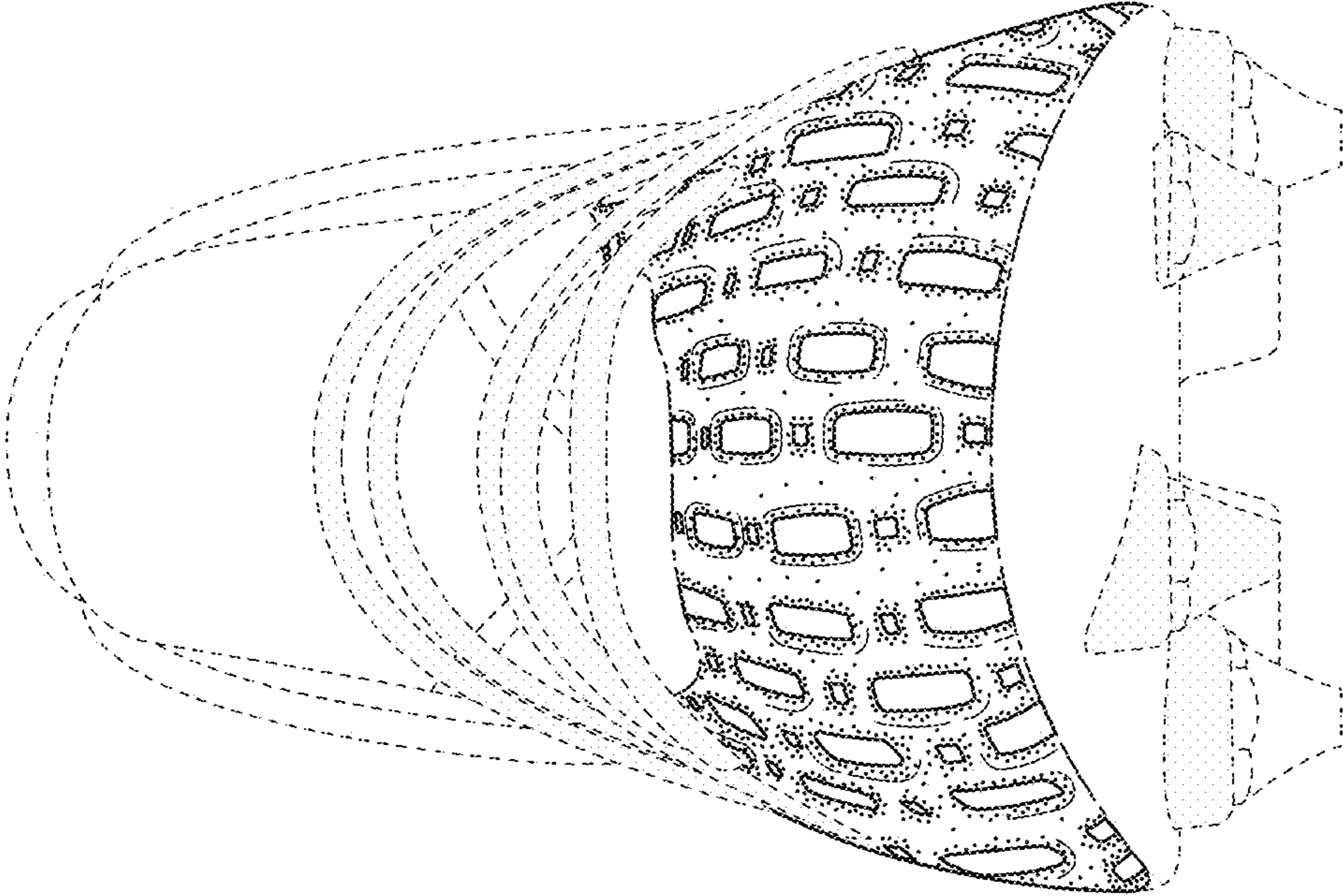


FIG. 2

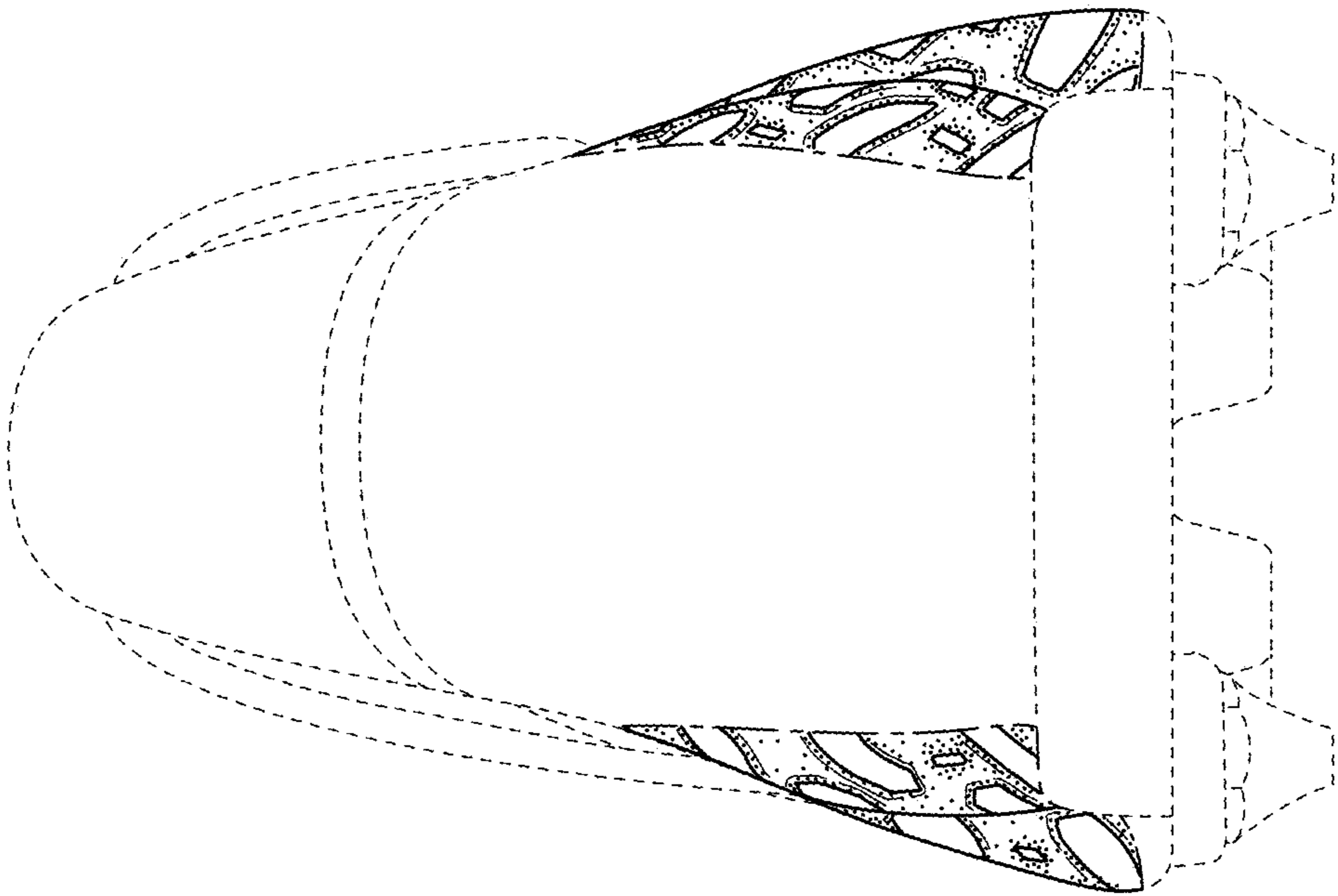


FIG. 3

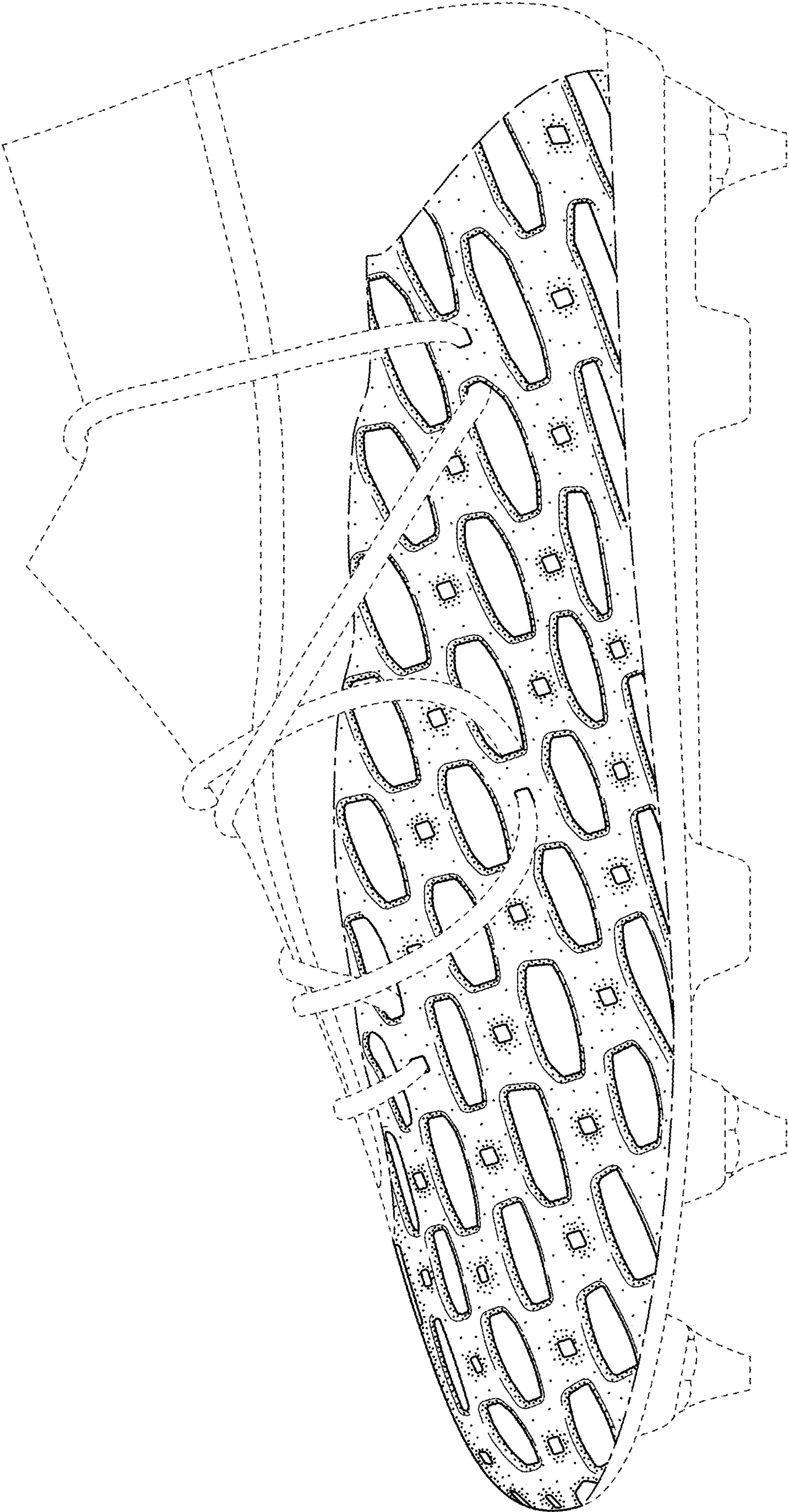


FIG. 4

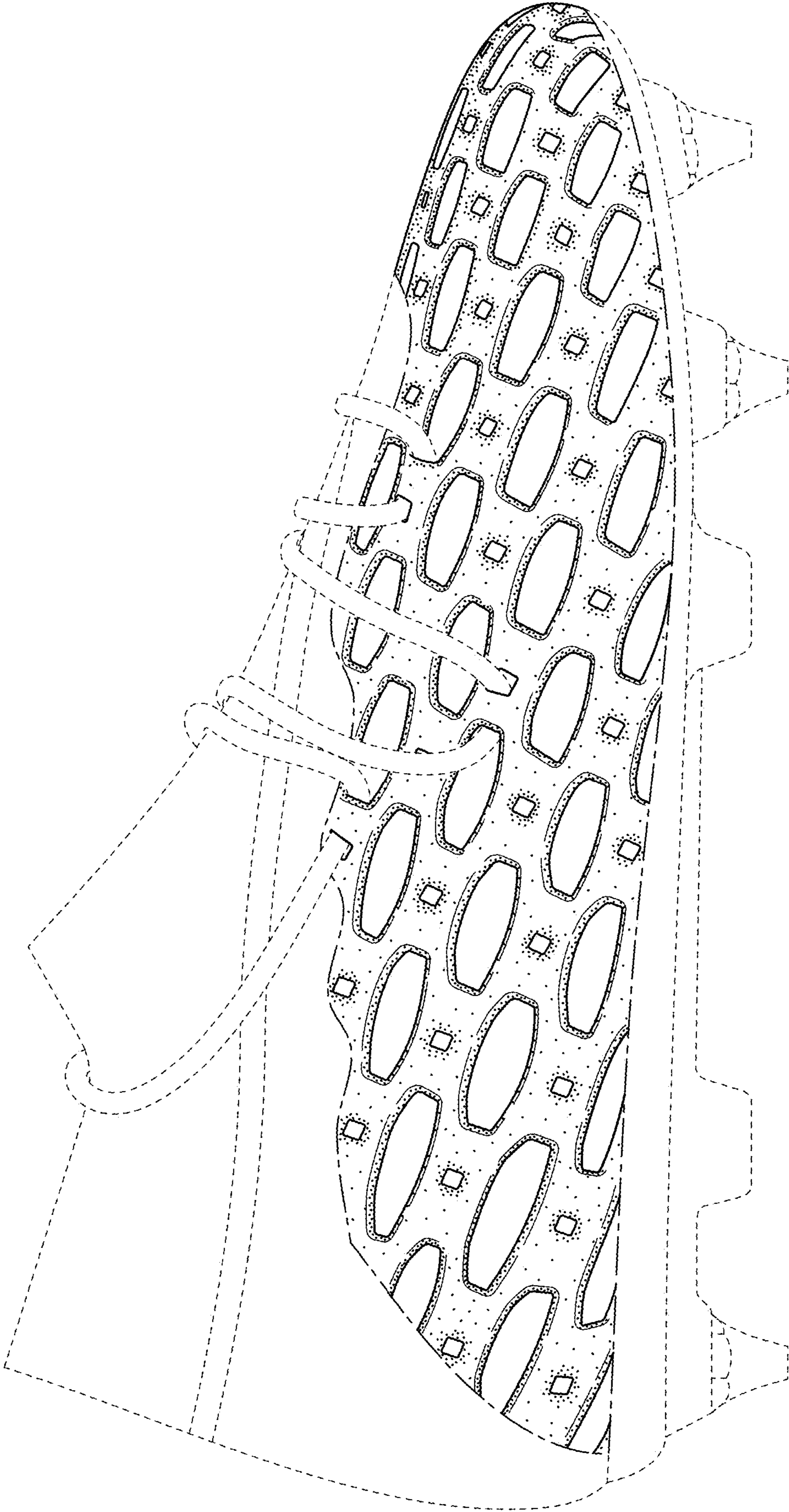


FIG. 5

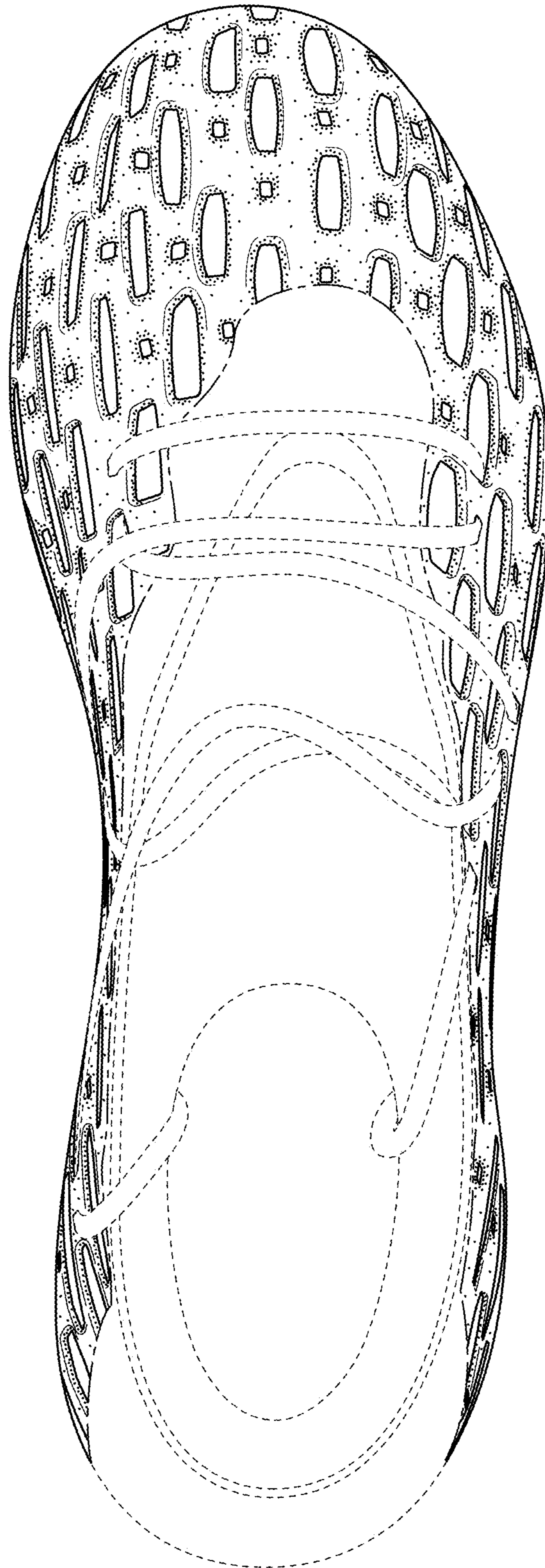


FIG. 6

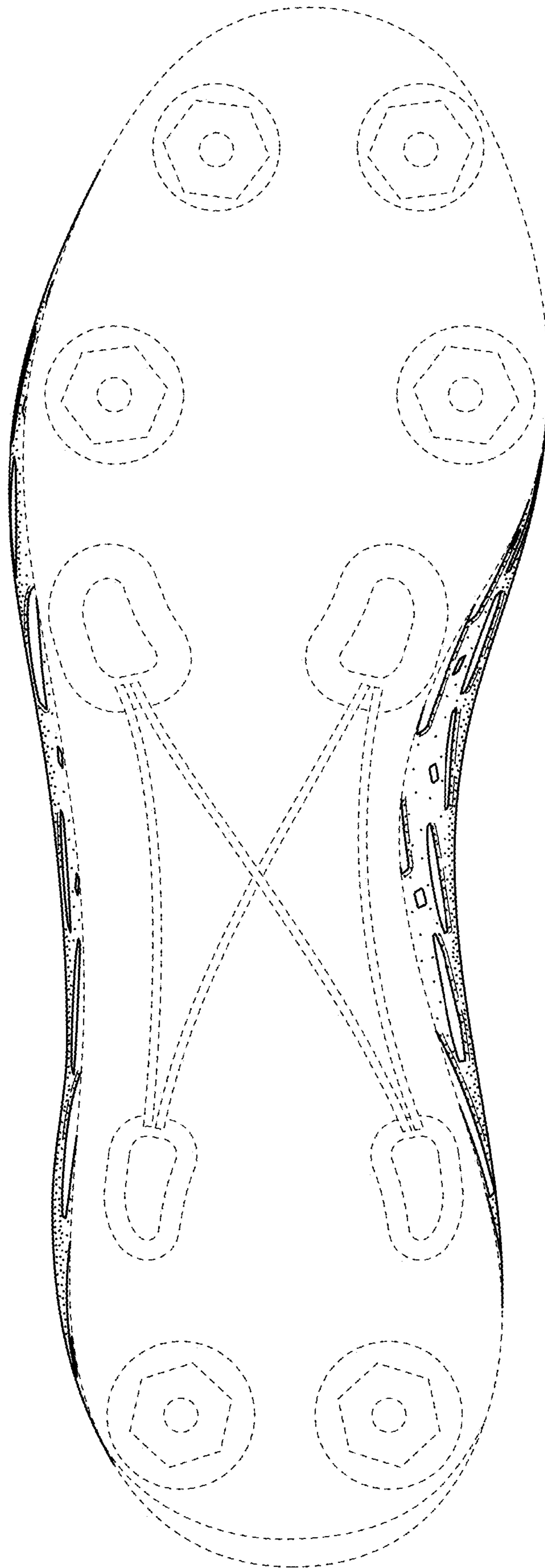


FIG. 7