



US00D959108S

(12) **United States Design Patent**  
**Jonsson et al.**

(10) **Patent No.:** **US D959,108 S**

(45) **Date of Patent:** **\*\* Aug. 2, 2022**

- (54) **FASTENING FOR SHOES**
- (71) Applicant: **M.I.Y.O. AB**, Jönköping (SE)
- (72) Inventors: **Jan Jonsson**, Jönköping (SE); **Louice Jonsson**, Reading (GB); **Christofer Jonsson**, Stockholm (SE)
- (\*\*) Term: **15 Years**
- (21) Appl. No.: **35/511,367**
- (22) Filed: **Nov. 27, 2020**
- (80) **Hague Agreement Data**  
 Int. Filing Date: **Nov. 27, 2020**  
 Int. Reg. No.: **DM/212510**  
 Int. Reg. Date: **Nov. 27, 2020**  
 Int. Reg. Pub. Date: **Feb. 12, 2021**
- (51) **LOC (13) Cl.** ..... **02-04**
- (52) **U.S. Cl.**  
USPC ..... **D2/946**
- (58) **Field of Classification Search**  
USPC ..... D2/911, 912, 943, 944, 946, 969, 970,  
D2/973, 978.979  
CPC ..... A43C 11/165; A43C 11/16; A43C 1/00;  
A43C 7/00; A43C 1/04; A43C 11/008;  
A43C 11/00; A43C 11/004; A43C  
11/1493; A43C 3/00  
See application file for complete search history.

- (56) **References Cited**  
U.S. PATENT DOCUMENTS  
 D210,649 S \* 4/1968 Getgey ..... D2/978  
 4,897,947 A \* 2/1990 Kass-Pious ..... A43B 3/0031  
 206/232  
 D359,839 S \* 7/1995 Silva ..... D2/946  
 D363,453 S \* 10/1995 Herdt ..... D11/78.1

- D366,138 S \* 1/1996 Solo ..... D2/946
- D366,954 S \* 2/1996 Solo ..... D2/946
- D367,755 S \* 3/1996 Jones ..... D2/978
- D382,691 S \* 8/1997 Fuller ..... D2/946
- 5,671,517 A \* 9/1997 Gourley ..... A43B 3/0078  
24/306
- D418,967 S \* 1/2000 Stengel ..... D2/946
- 6,119,318 A \* 9/2000 Maurer ..... A43C 3/00  
24/130
- D456,596 S \* 5/2002 Hannah ..... A43B 5/02  
D2/946
- D462,162 S \* 9/2002 Peng ..... D2/978
- 6,817,498 B1 \* 11/2004 Spratt ..... A43B 3/0031  
224/191
- D510,183 S \* 10/2005 Tresser ..... D2/946
- D647,293 S \* 10/2011 Ward ..... D2/976
- D767,269 S \* 9/2016 Lovett ..... D2/978
- D816,319 S \* 5/2018 Cooper ..... D2/978
- D832,042 S \* 10/2018 Jordan ..... D7/401.1
- D835,771 S \* 12/2018 Farrell ..... D23/366
- 10,897,951 B2 \* 1/2021 Covell ..... A43B 7/32
- D915,690 S \* 4/2021 Younani ..... D30/155
- D927,838 S \* 8/2021 Nakano ..... D2/946
- 2016/0331072 A1 \* 11/2016 Gould ..... A43C 13/14
- 2020/0113290 A1 \* 4/2020 Honda ..... A43C 7/005

\* cited by examiner

*Primary Examiner* — Jennifer L Watkins

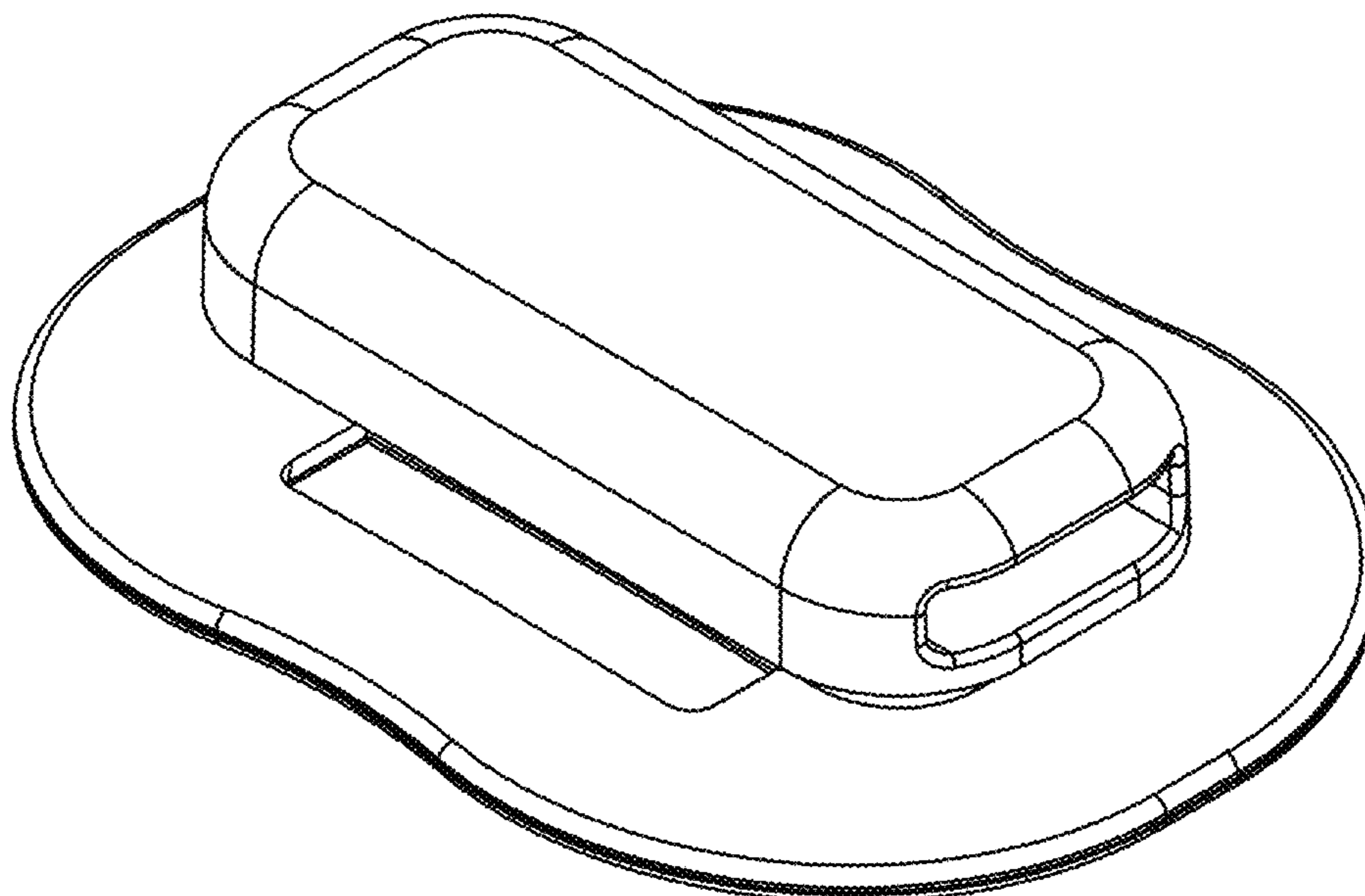
(57) **CLAIM**

The ornamental design for fastening for shoes, as shown and described.

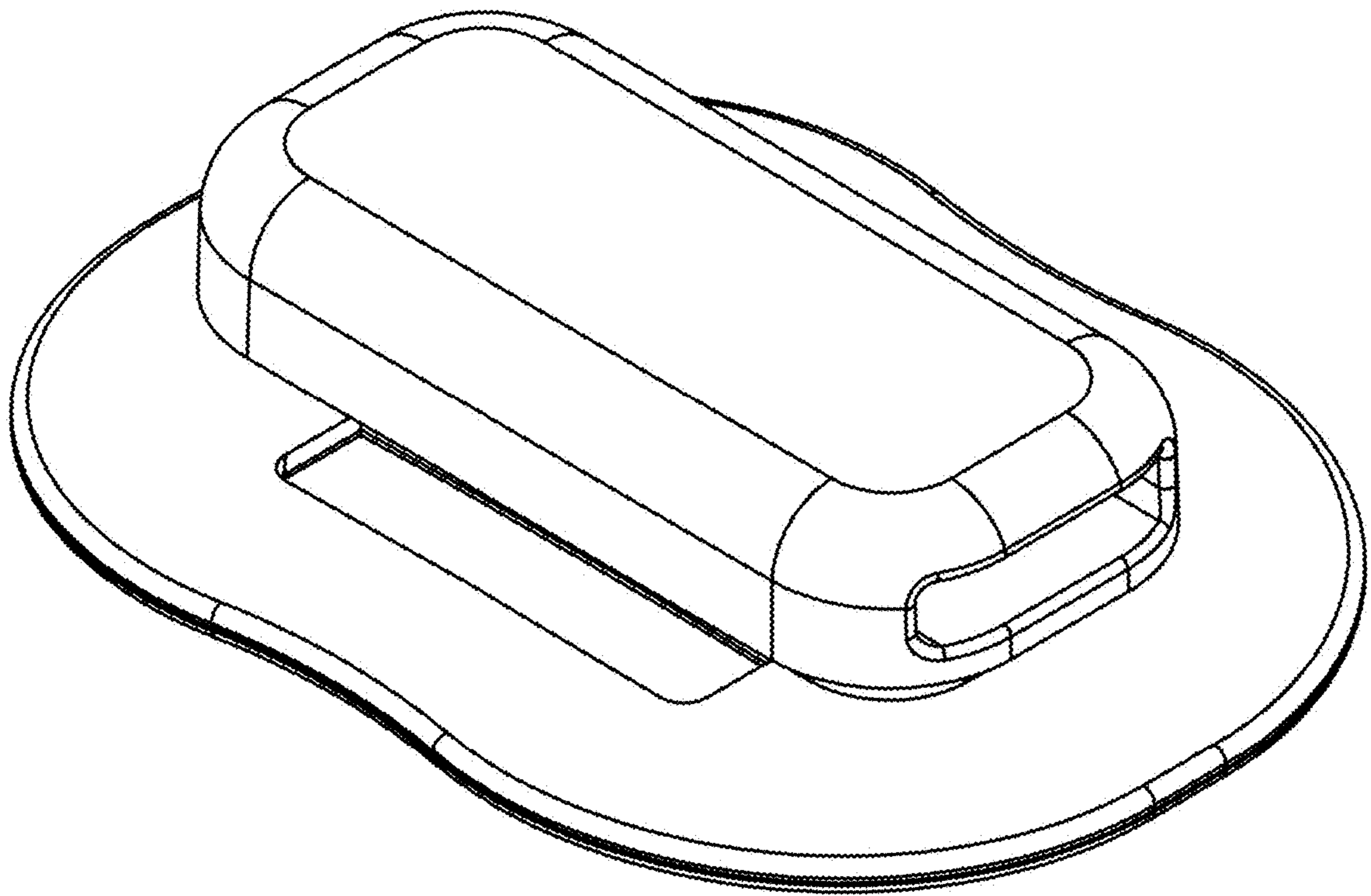
**DESCRIPTION**

- 1. Fastening for shoes
- 1.1 is a top perspective view of a fastening for shoes showing our new design;
- 1.2 is an alternative top perspective view thereof;
- 1.3 is a side view thereof;
- 1.4 is a top plan view thereof;
- 1.5 is a bottom perspective view thereof.

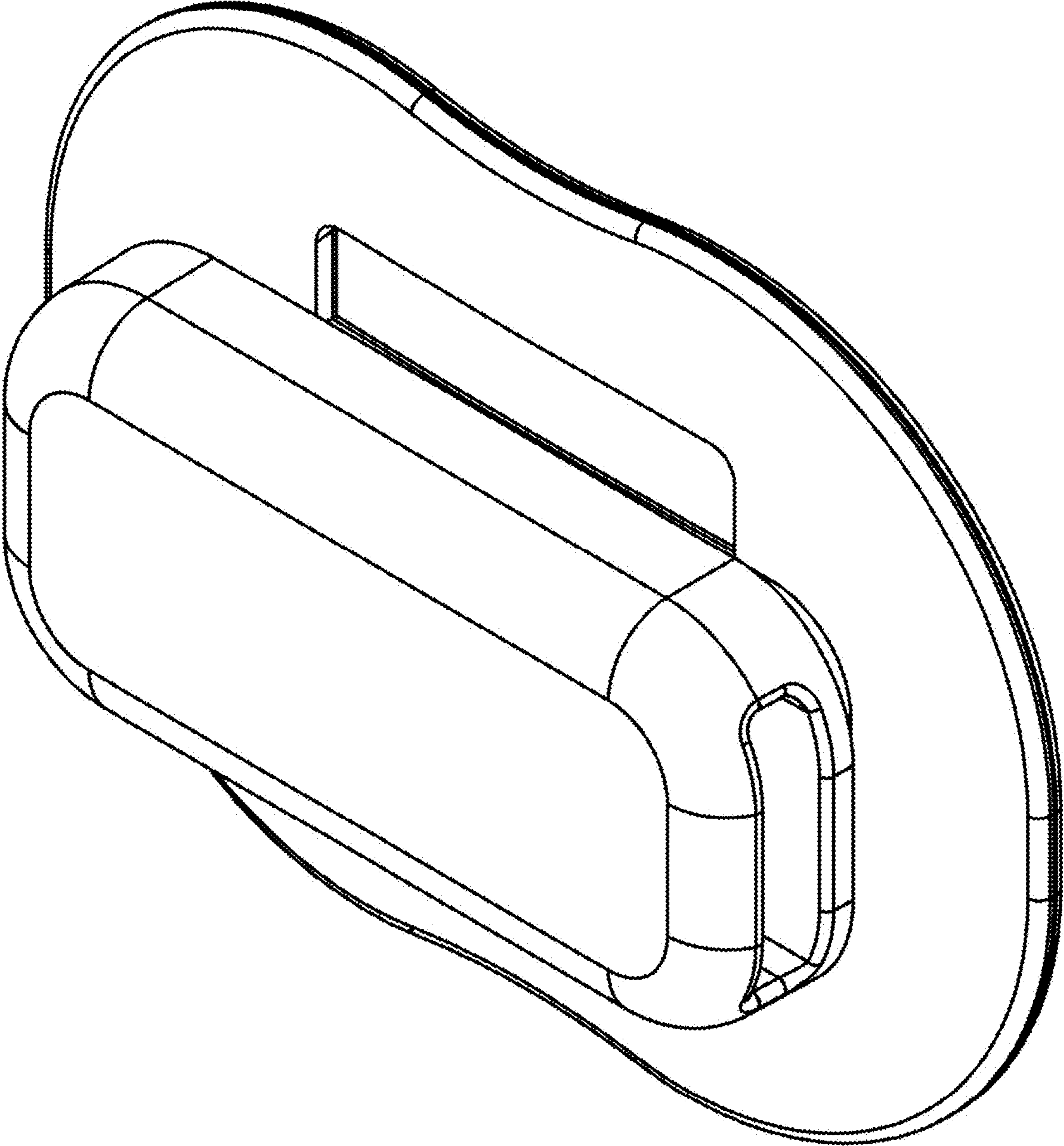
**1 Claim, 5 Drawing Sheets**



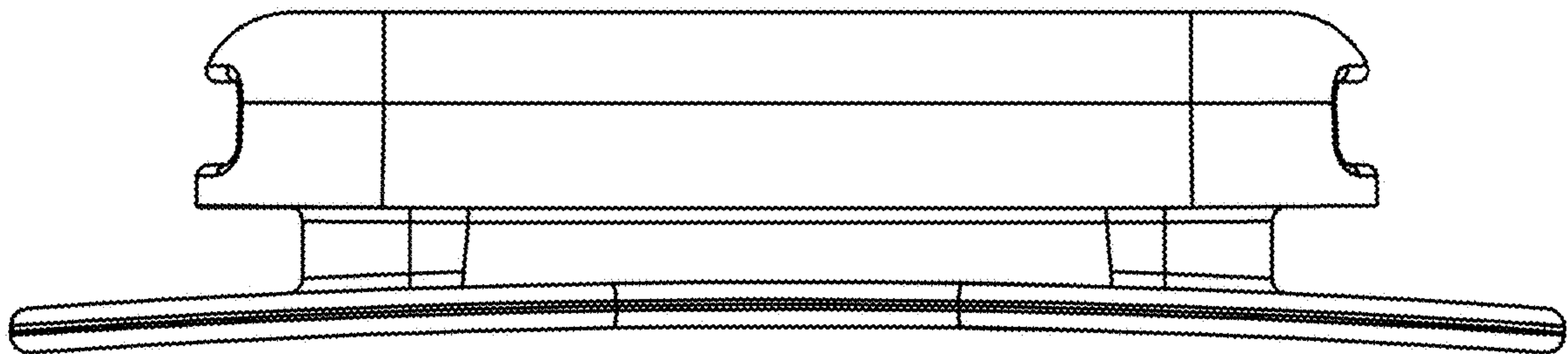
1.1



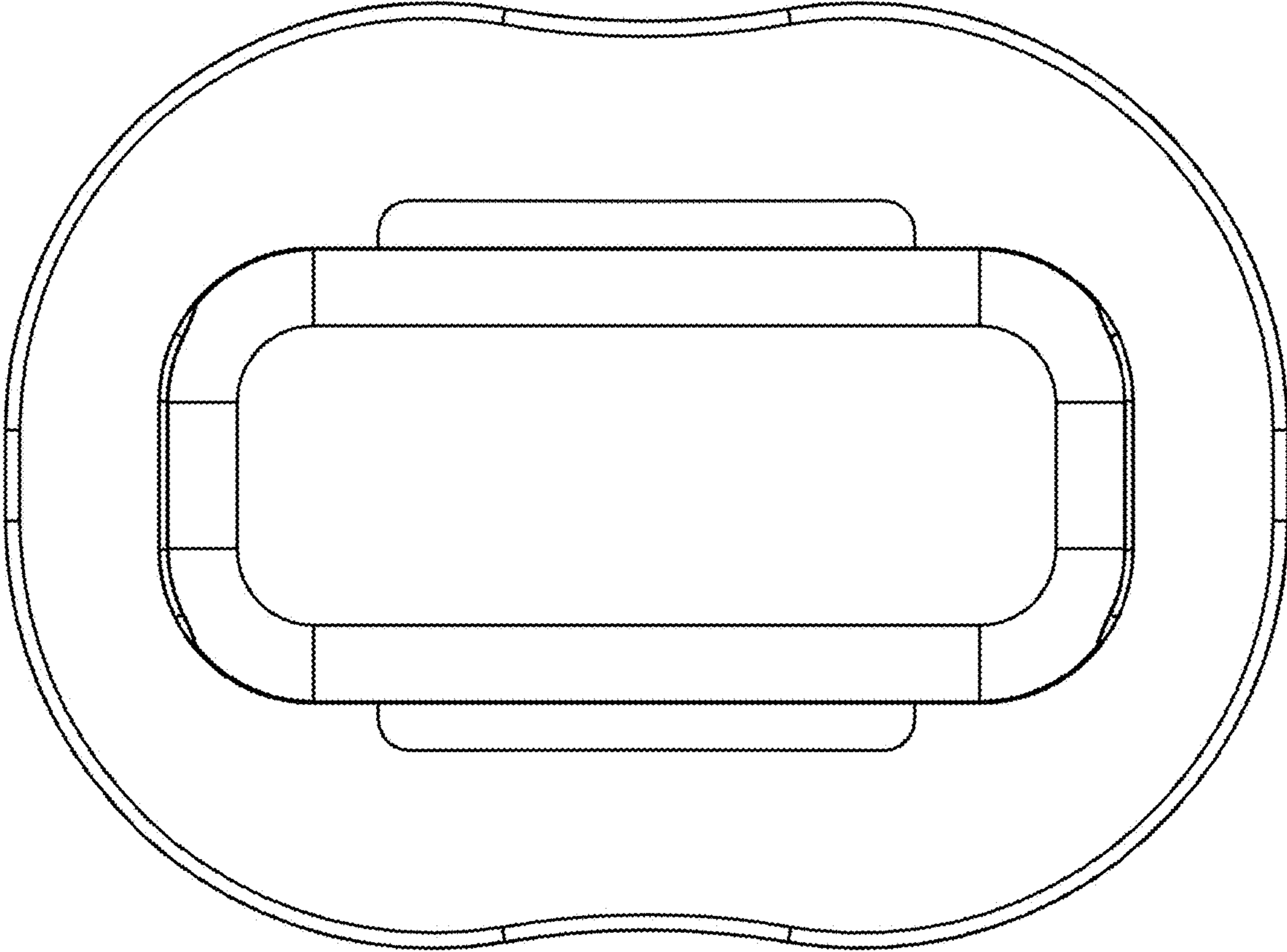
1.2



1.3



1.4



1.5

