



US00D959097S

(12) **United States Design Patent**  
**Holder**

(10) **Patent No.:** **US D959,097 S**

(45) **Date of Patent:** **\*\* Aug. 2, 2022**

(54) **COAT COLLAR**

(71) Applicant: **L1NE LTD**, Cheltenham (GB)

(72) Inventor: **James Holder**, Cheltenham (GB)

(73) Assignee: **L1NE LTD**

(\*\*) Term: **15 Years**

(21) Appl. No.: **29/699,423**

(22) Filed: **Jul. 25, 2019**

(30) **Foreign Application Priority Data**

Jan. 25, 2019 (GB) ..... 6053135

(51) **LOC (13) Cl.** ..... **02-02**

(52) **U.S. Cl.**  
USPC ..... **D2/828**

(58) **Field of Classification Search**

USPC ..... D2/828-831, 840, 717, 602, 828-829  
CPC ... A41D 1/02; A41D 3/00; A41D 3/04; A41D  
27/18; A41D 3/02

See application file for complete search history.

(56) **References Cited**

**U.S. PATENT DOCUMENTS**

D59,711 S \* 11/1921 Charles ..... D2/602  
1,509,841 A \* 9/1924 Miller ..... A41D 27/18  
2/98  
1,866,892 A \* 7/1932 Knox ..... A41D 3/04  
2/87

(Continued)

**OTHER PUBLICATIONS**

MDS/ The Global Fashion Business Journal, posted Mar. 9, 2020 [online], (retrieved Apr. 1, 2021). Retrieved from the internet, <https://www.themds.com/companies/superdry-co-founder-launches-new-brand.html> (Year: 2020).\*

(Continued)

*Primary Examiner* — Kevin K Rudzinski

*Assistant Examiner* — J. Thorn, Sr.

(74) *Attorney, Agent, or Firm* — Jacob M. Ward; Ward Law Office LLC

(57) **CLAIM**

The ornamental design for a coat collar, as shown and described.

**DESCRIPTION**

FIG. 1 is a front perspective view of a coat collar, and further depicting a collar in an upward position;

FIG. 2 is a top plan view of the coat collar shown in FIG. 1; FIG. 3 is a front elevational view of the coat collar shown in FIG. 1;

FIG. 4 is a left side elevational view of the coat collar shown in FIG. 1;

FIG. 5 is a rear elevational view of the coat collar shown in FIG. 1;

FIG. 6 is a right side elevational view of the coat collar shown in FIG. 1;

FIG. 7 is a front perspective view of the coat collar shown in FIG. 1, and further depicting the collar in a downward position;

FIG. 8 is a top plan view of the coat collar shown in FIG. 7; FIG. 9 is a front elevational view of the coat collar shown in FIG. 7;

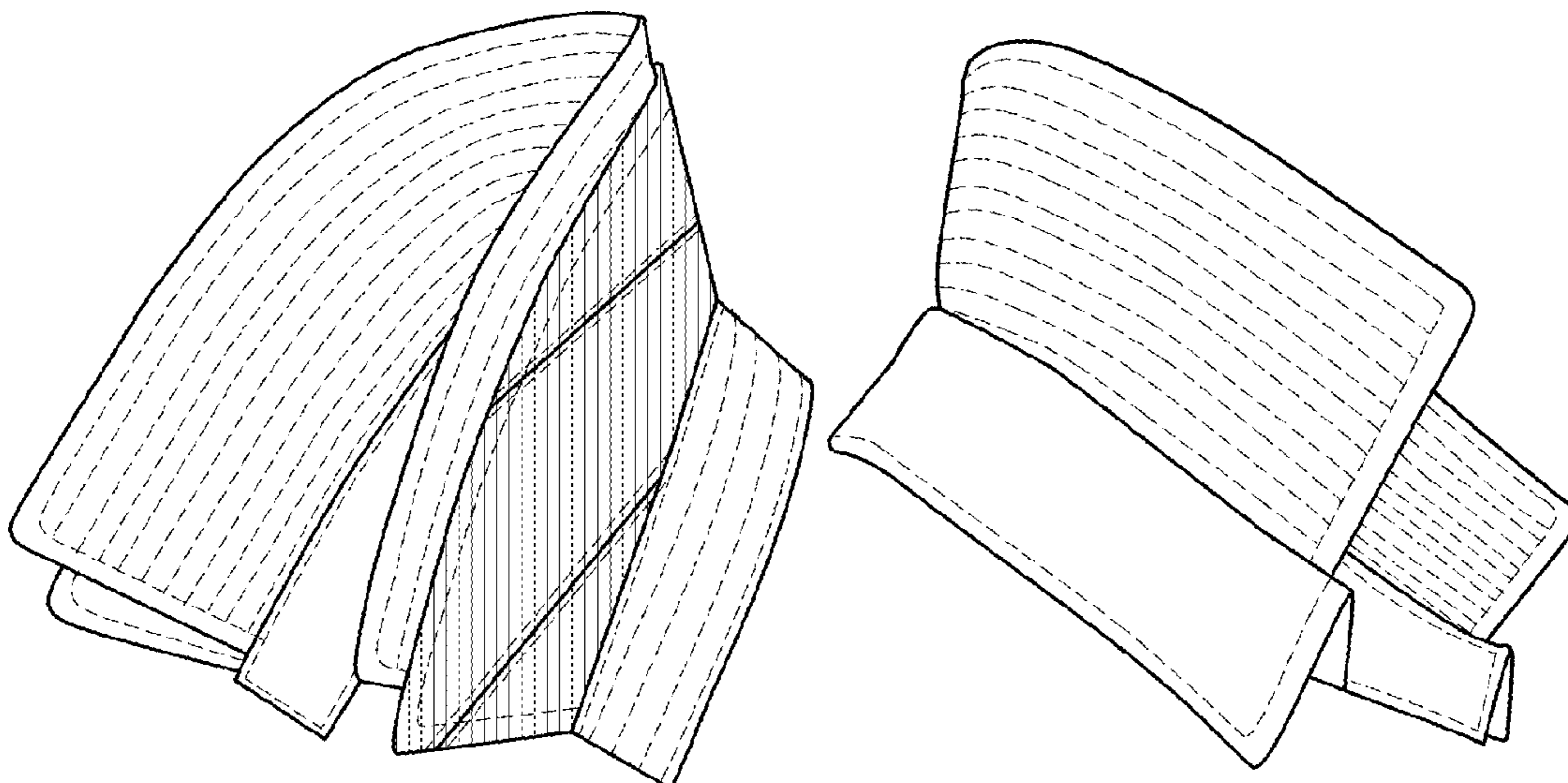
FIG. 10 is a left side elevational view of the coat collar shown in FIG. 7;

FIG. 11 is a rear elevational view of the coat collar shown in FIG. 7; and,

FIG. 12 is a right side elevational view of the coat collar shown in FIG. 7.

The broken lines depicted in the drawings represent stitching and form part of the claimed design.

**1 Claim, 3 Drawing Sheets**



(56)

**References Cited**

U.S. PATENT DOCUMENTS

3,488,775 A \* 1/1970 Dickenherr ..... A41D 27/18  
 2/98  
 4,578,824 A \* 4/1986 Waldron ..... A41D 3/04  
 2/221  
 D598,639 S \* 8/2009 Holder ..... D2/828  
 D609,882 S \* 2/2010 Holder ..... D2/828  
 D639,025 S \* 6/2011 Holder ..... D2/839  
 D662,285 S \* 6/2012 Rushworth ..... D2/833  
 D679,893 S \* 4/2013 Pickarski ..... D2/840  
 D829,405 S \* 10/2018 Gvasalia ..... D2/602  
 D906,636 S \* 1/2021 Zhang ..... D2/828  
 2017/0020216 A1 \* 1/2017 Yamada ..... A45C 15/00  
 2020/0367577 A1 \* 11/2020 Lai ..... A41D 27/10

OTHER PUBLICATIONS

FARVALUE Women's Double Breasted Belted Petite Lapel Trench Coat, posted Sep. 26, 2019 [online], (retrieved Apr. 1, 2021). Retrieved from the internet, [https://www.amazon.com/FARVALUE-Womens-Breasted-Classic-Overcoat/dp/B07VJ1QJYZ/ref=pd\\_sbs\\_9?pd\\_rd\\_w=hKkuX&pf\\_rd\\_p=2419a049-62%E2%80%A6%204](https://www.amazon.com/FARVALUE-Womens-Breasted-Classic-Overcoat/dp/B07VJ1QJYZ/ref=pd_sbs_9?pd_rd_w=hKkuX&pf_rd_p=2419a049-62%E2%80%A6%204) (Year: 2019).\*

SUPERDRY Hooded Technical Pop Zip SDWindcheater Jacket, reviewed early as Sep. 28, 2020 [online], (retrieved Mar. 15, 2022). Retrieved from the internet, <https://www.superdry.com/us/mens/windcheaters/details/147290/hooded-technical-pop-zip-sd-windcheater-jacket--orange> (Year: 2020).\*

\* cited by examiner

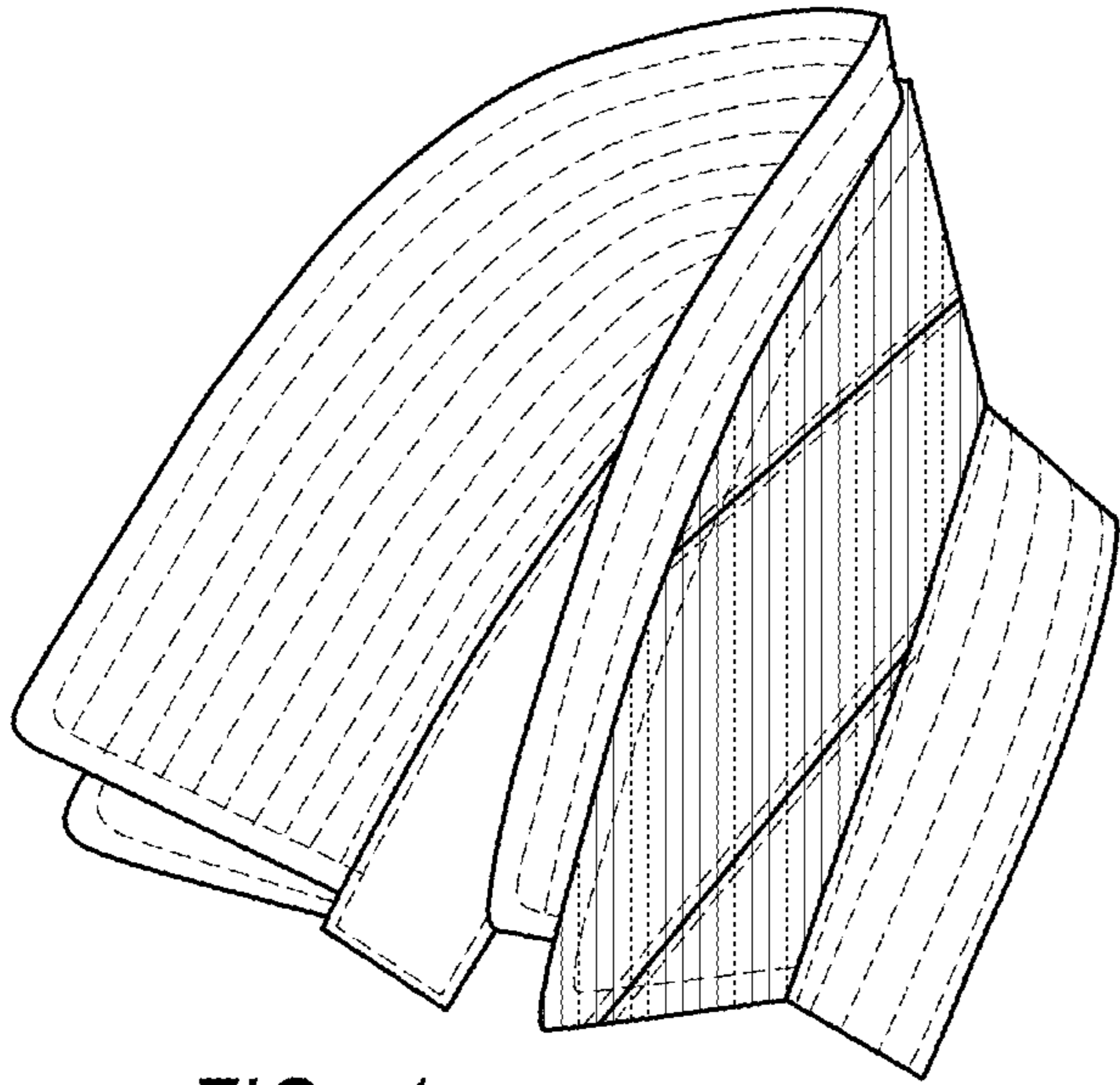


FIG - 1

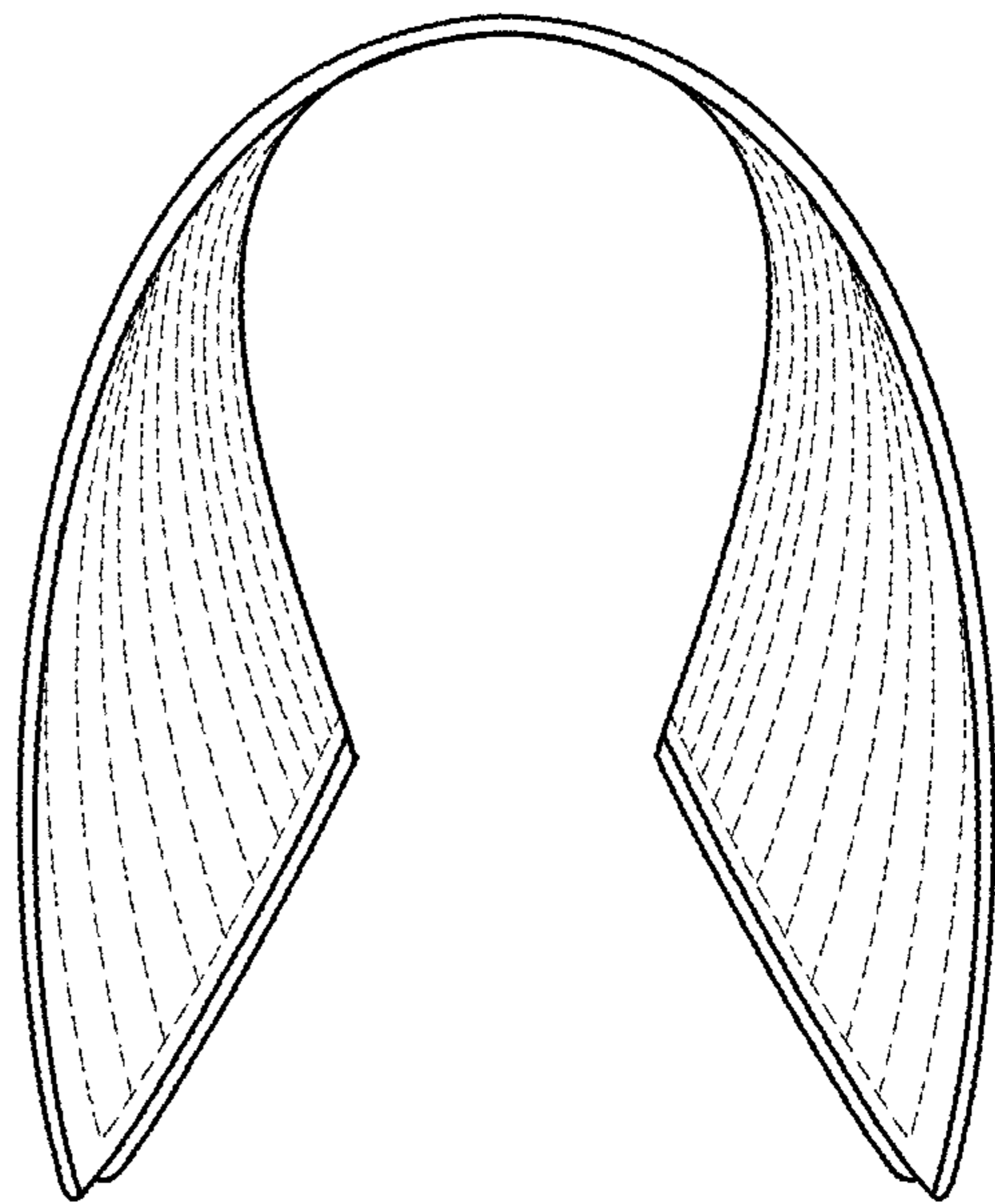


FIG - 2

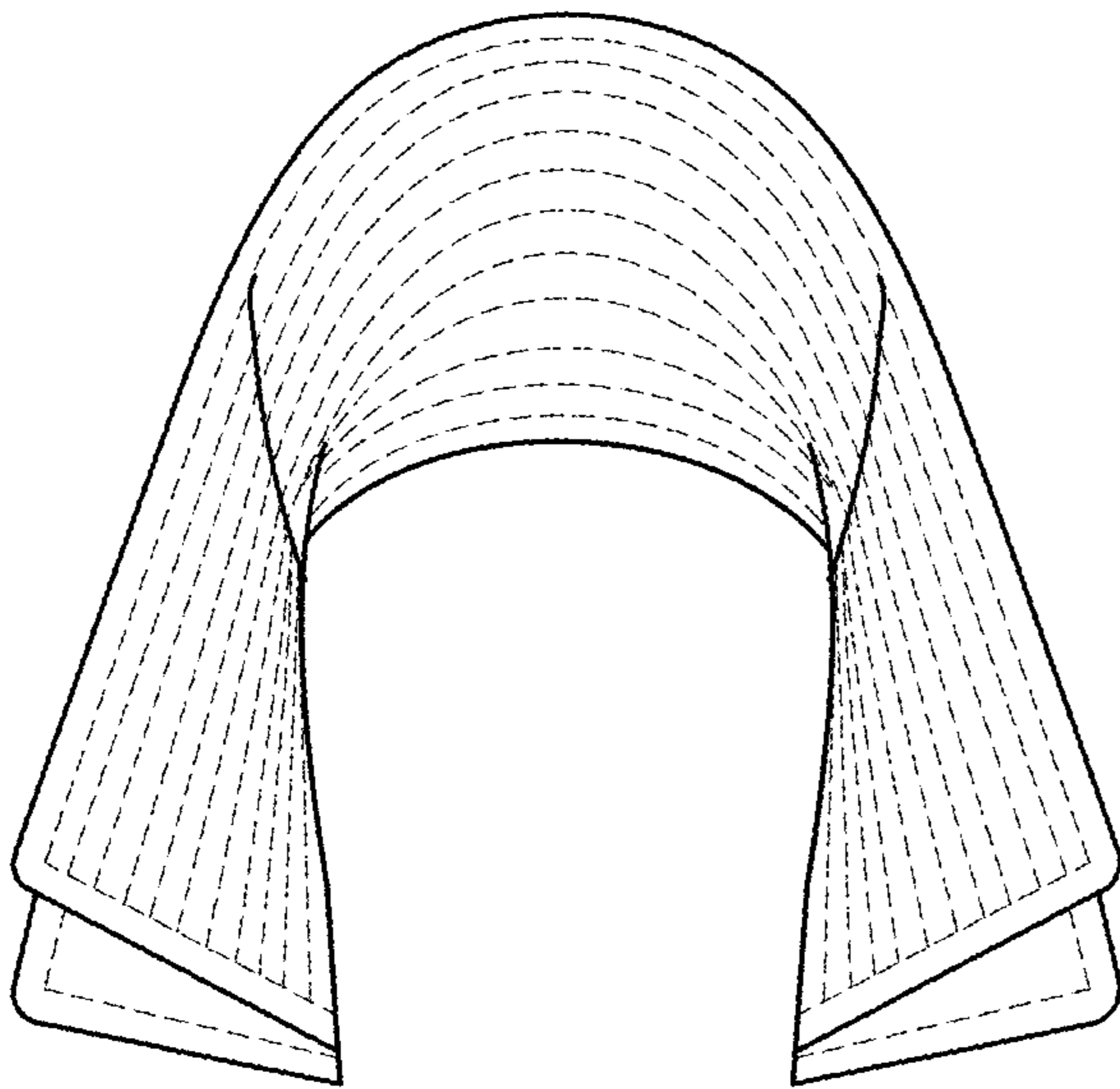


FIG - 3

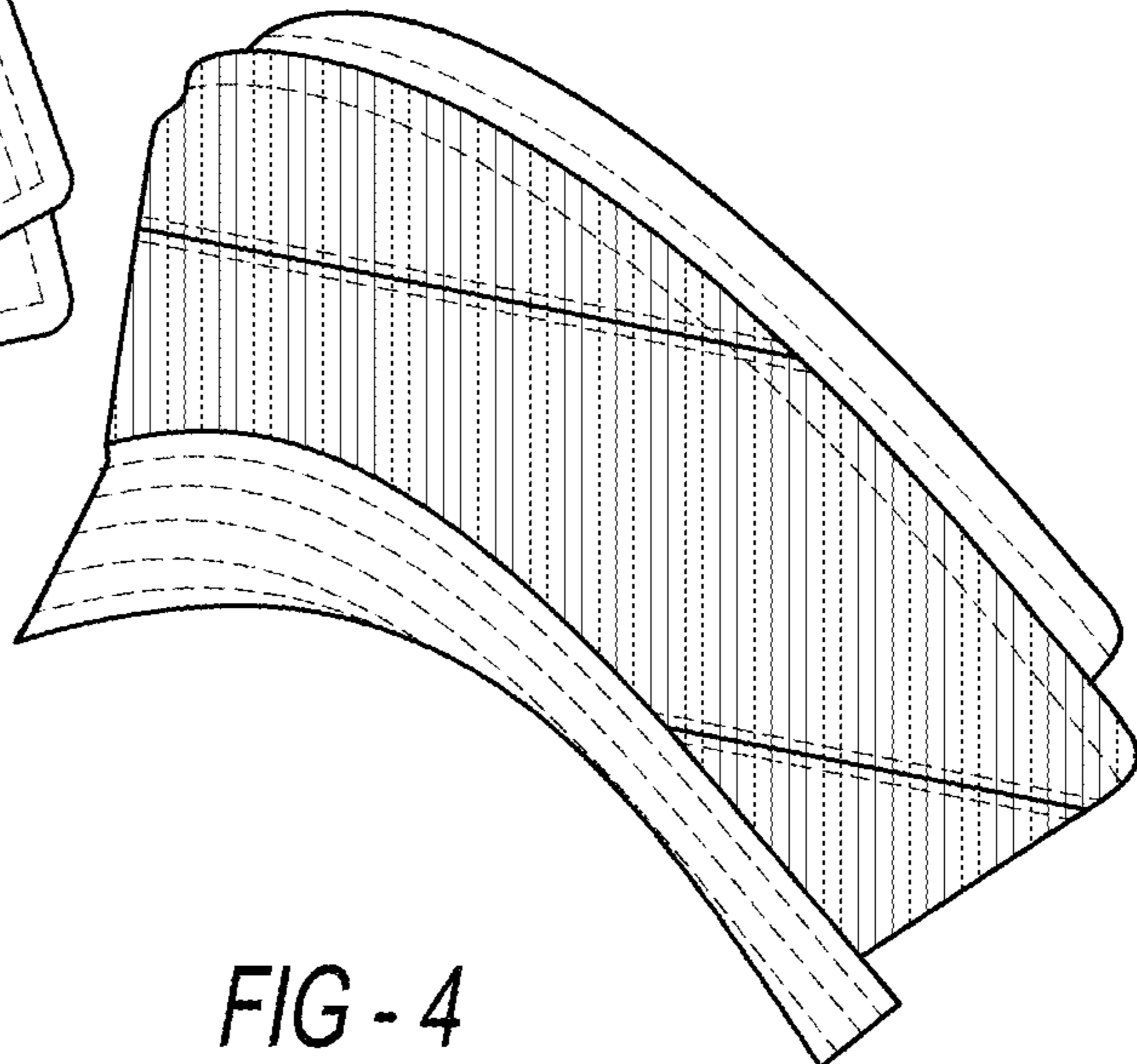


FIG - 4

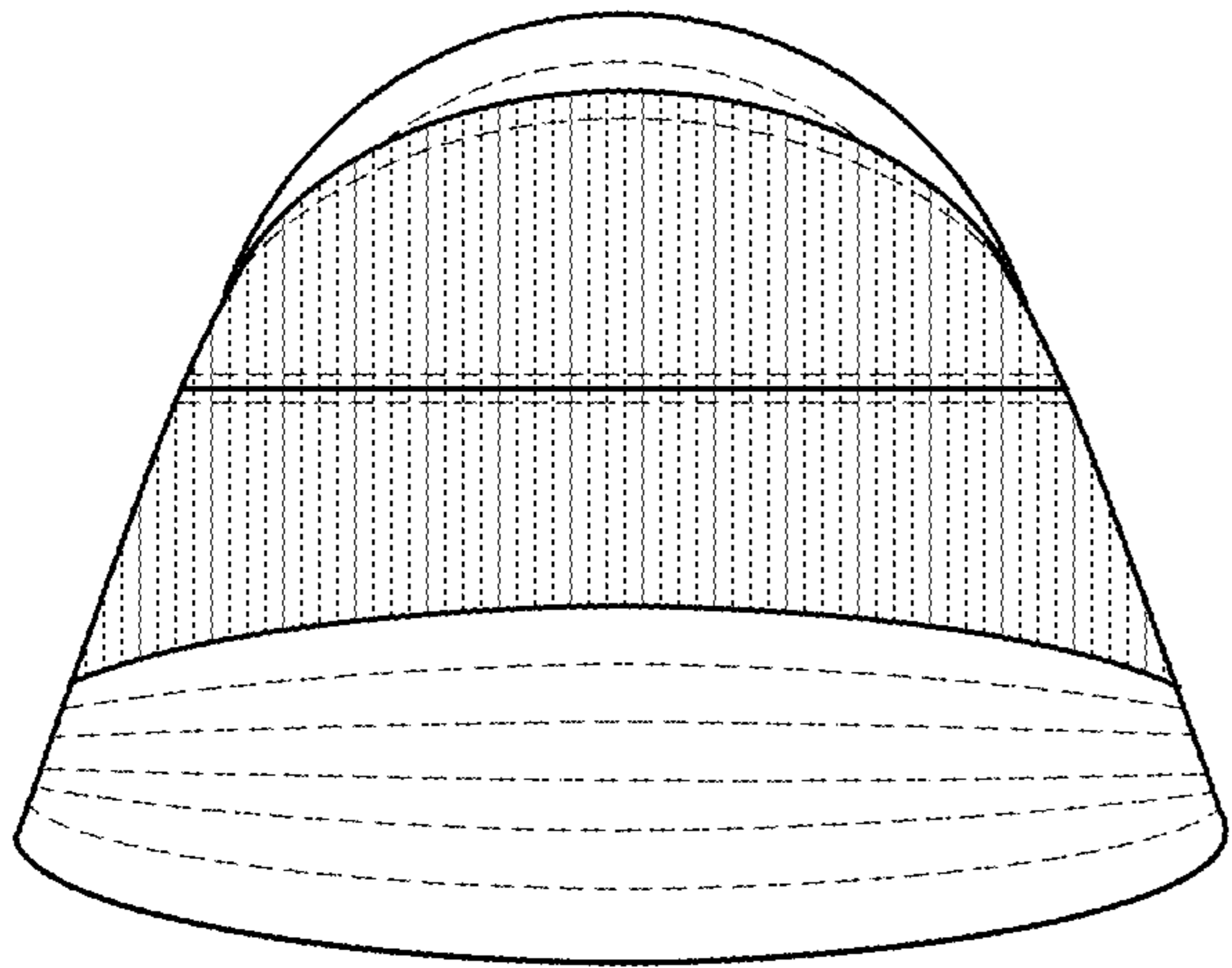


FIG - 5

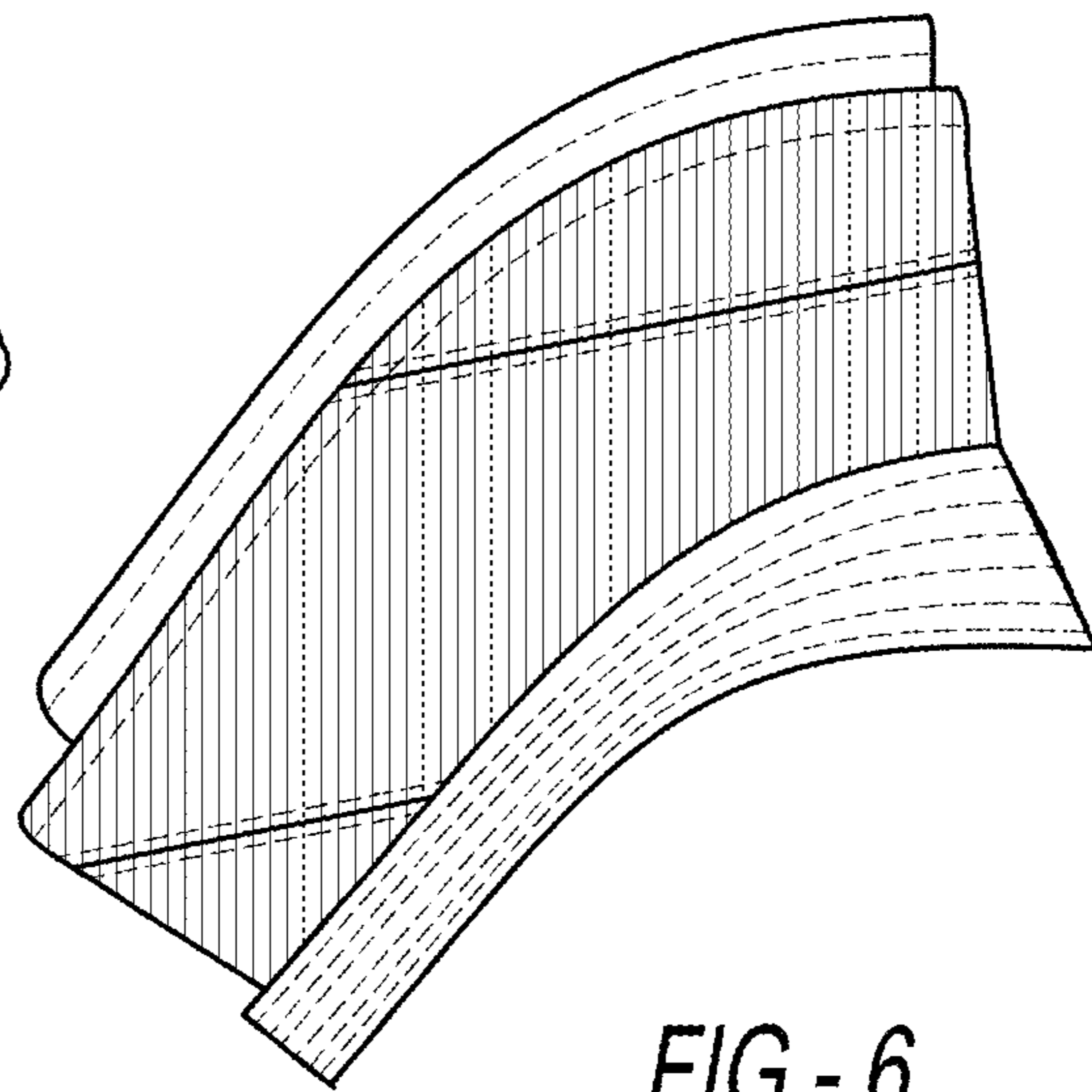


FIG - 6

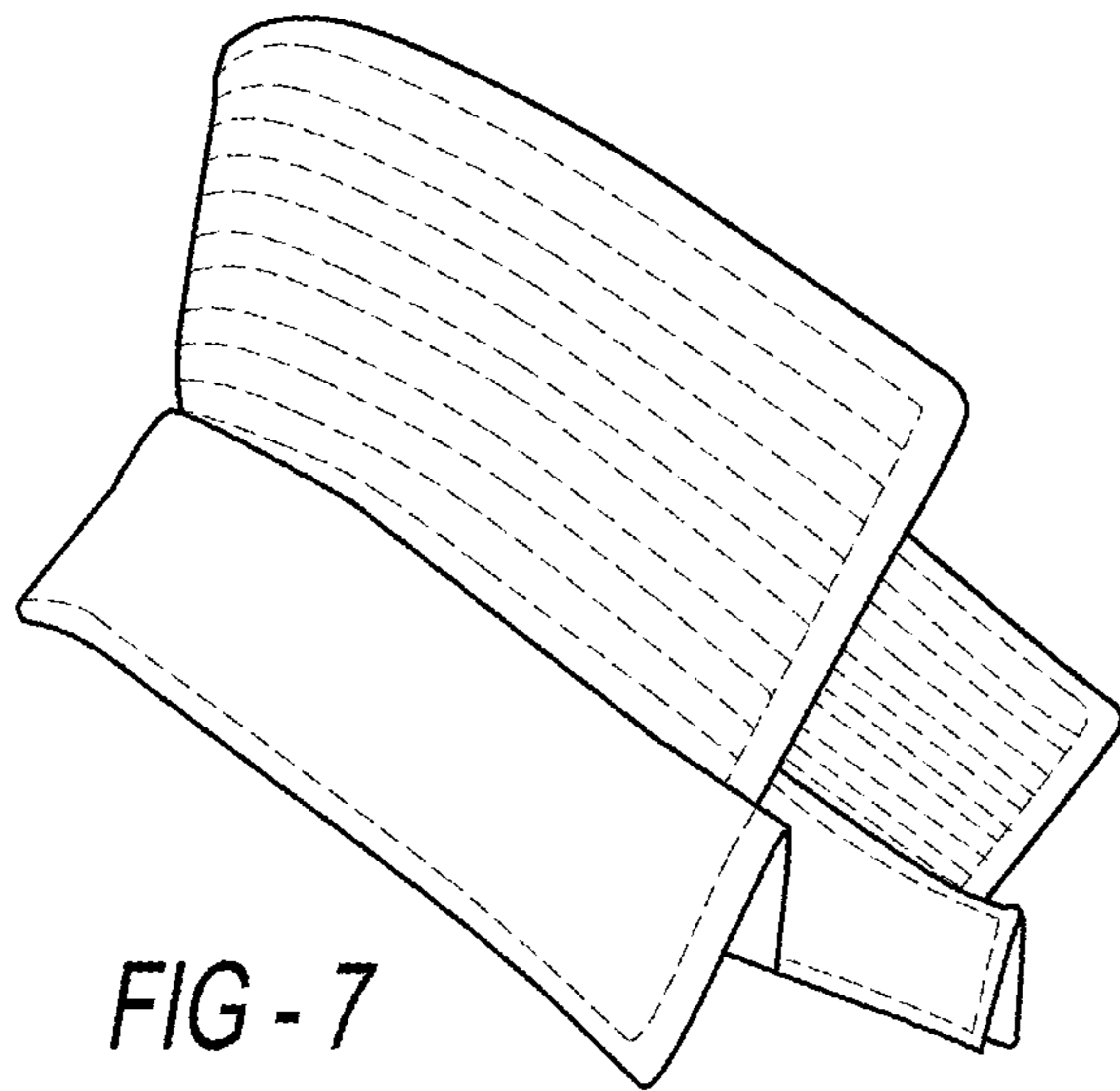


FIG - 7

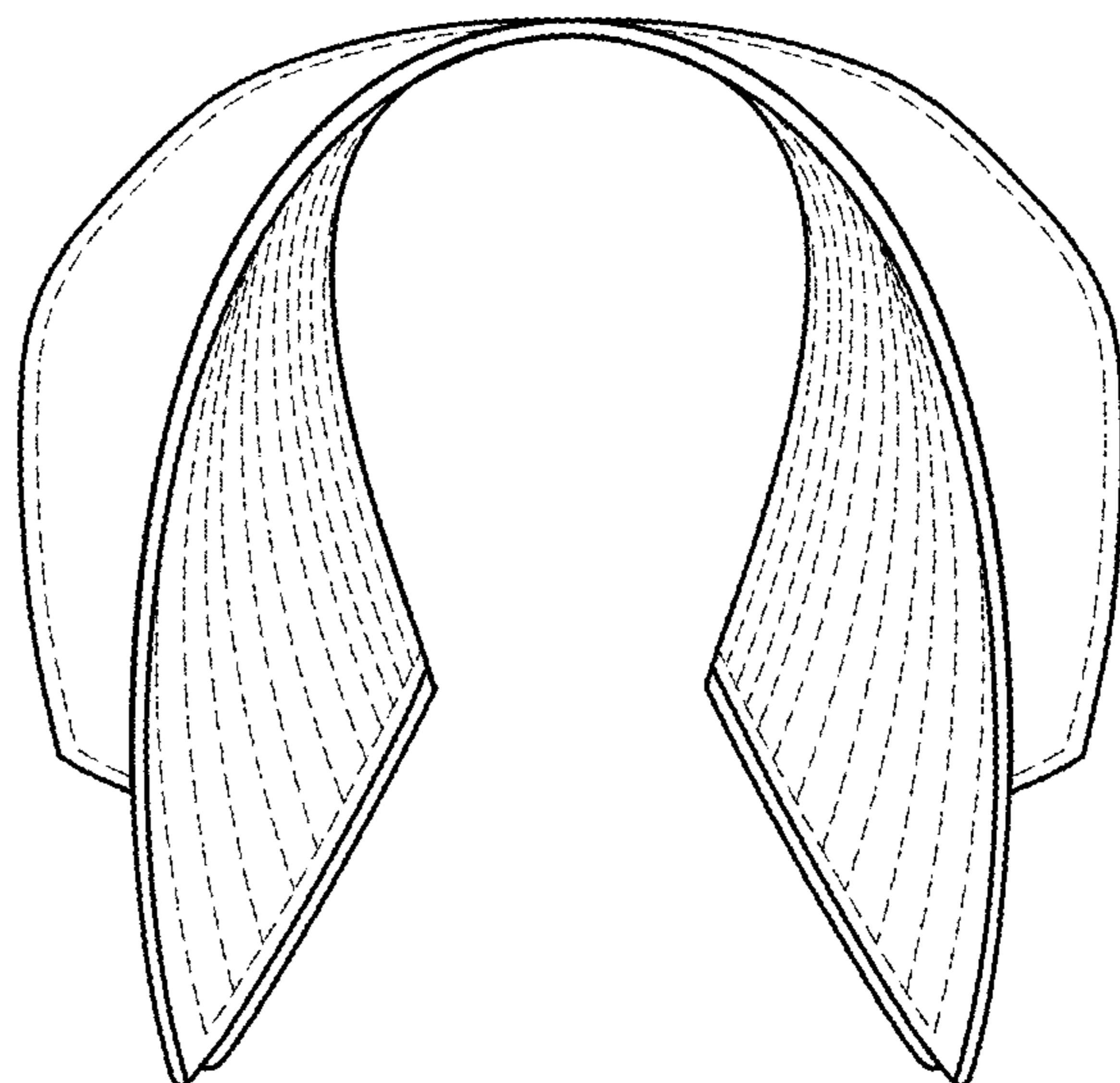
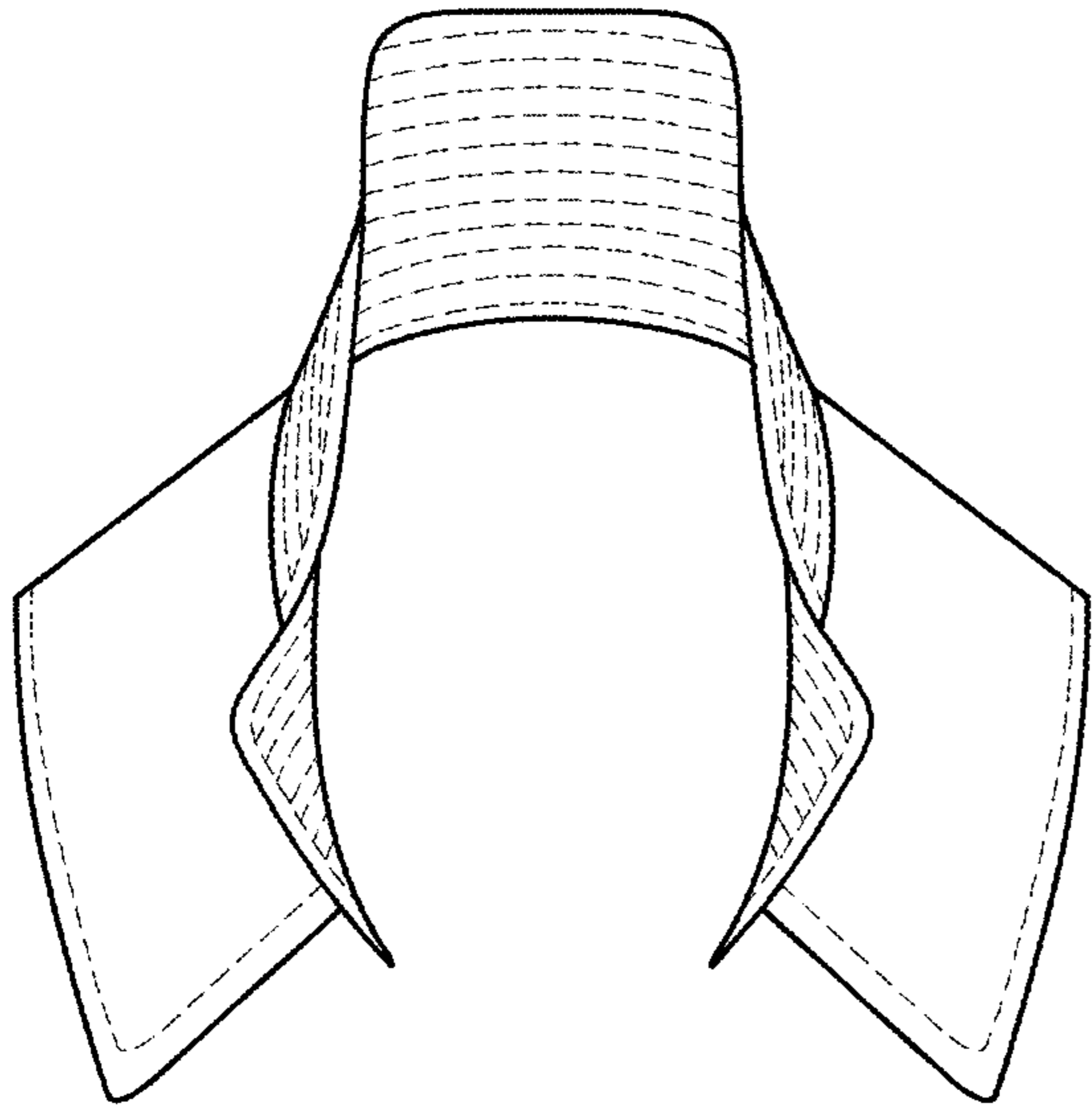
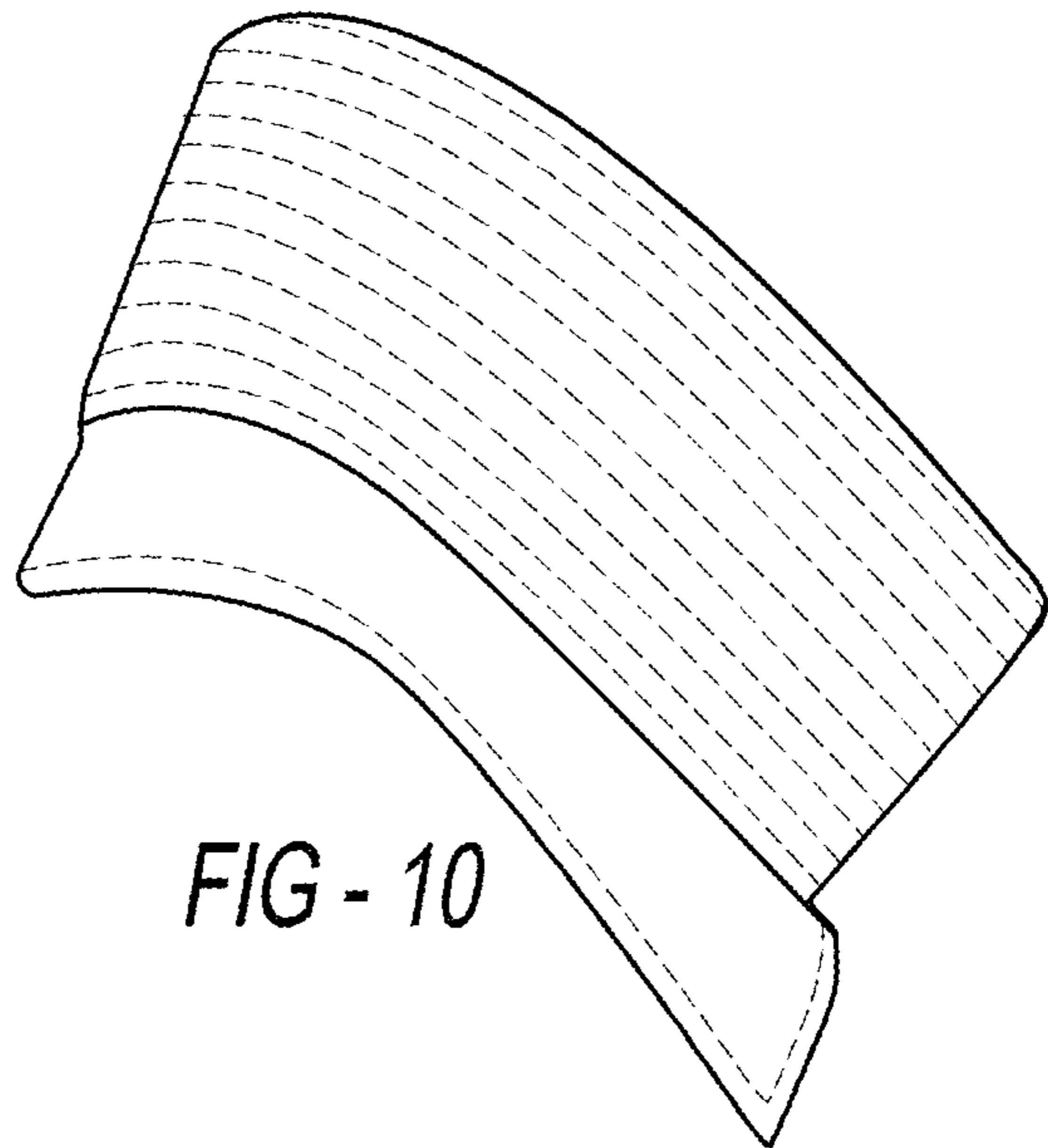


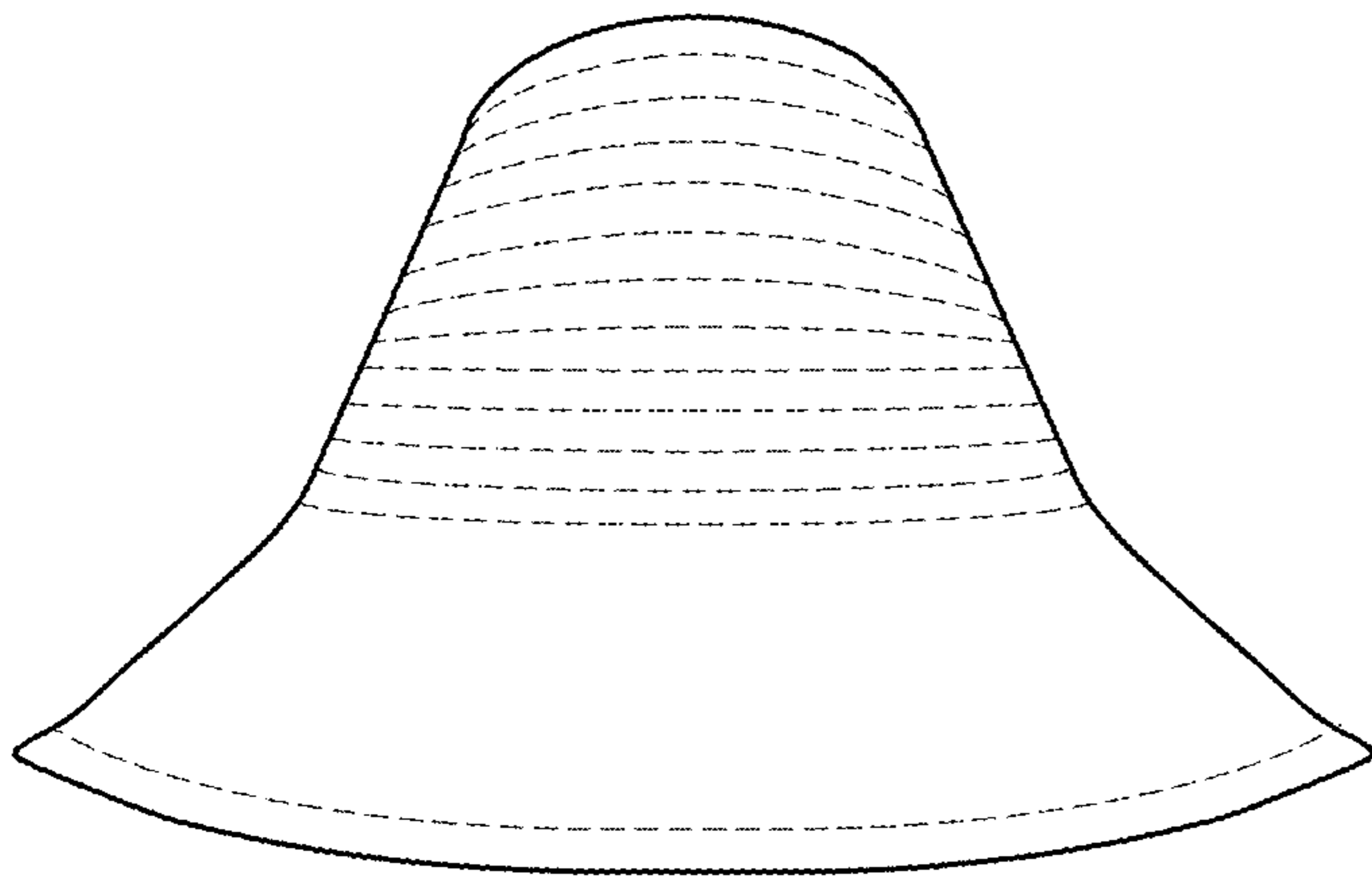
FIG - 8



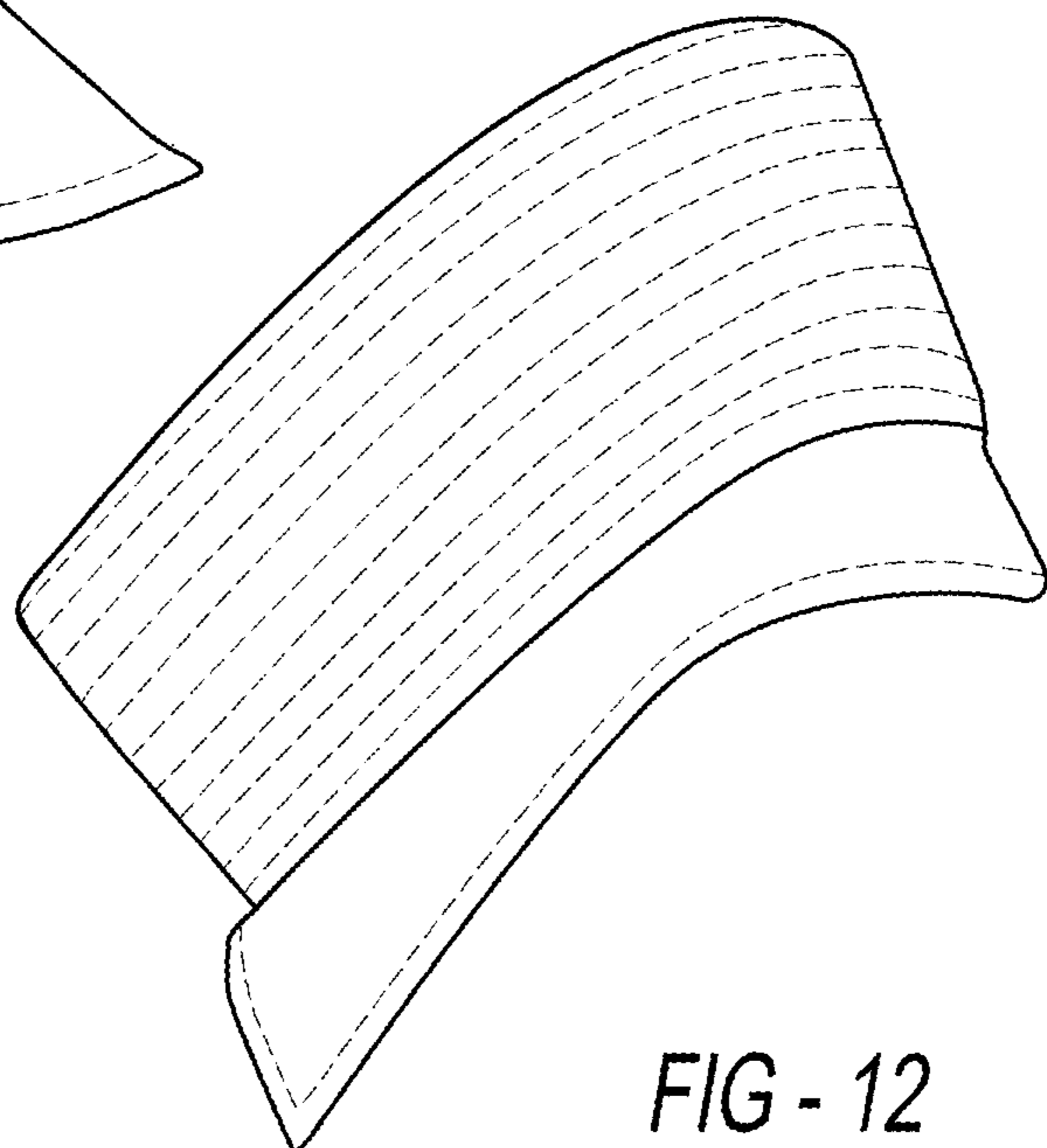
*FIG - 9*



*FIG - 10*



*FIG - 11*



*FIG - 12*