



US00D959089S

(12) **United States Design Patent** (10) **Patent No.:** **US D959,089 S**
Polak et al. (45) **Date of Patent:** **** Aug. 2, 2022**

(54) **CONFECTIONERY**
(71) Applicant: **INTERCONTINENTAL GREAT BRANDS LLC**, East Hanover, NJ (US)
(72) Inventors: **William M. Polak**, Budd Lake, NY (US); **Marissa Letinski**, Morristown, NJ (US); **Kevin Wallenstein**, Hillsborough, NJ (US)

D327,154 S 6/1992 Raimbert
D391,385 S 3/1998 Steele
D447,074 S * 8/2001 Chan D10/104.1
D490,587 S 6/2004 Hunt et al.
D498,032 S * 11/2004 Ames D30/160
D517,273 S 3/2006 Harrington et al.
D598,632 S 8/2009 Damron et al.
D670,959 S * 11/2012 Rudisill, Jr. D7/392.1
(Continued)

(73) Assignee: **INTERCONTINENTAL GREAT BRANDS LLC**, East Hanover, NJ (US)
(**) Term: **15 Years**
(21) Appl. No.: **29/816,431**
(22) Filed: **Nov. 22, 2021**

OTHER PUBLICATIONS

“Limited Edition Maynards Sour Patch Kids Head & Bodies.” Grocery Gems. Oct. 17, 2013. Web Jun. 2, 2021. <<http://grocerygems.blogspot.com/2013/10/limited-edition-maynards-sour-patch.html>> pp. 1-5.

(Continued)

Primary Examiner — Katie Jane Stofko
(74) *Attorney, Agent, or Firm* — Cantor Colburn LLP

Related U.S. Application Data

(60) Division of application No. 29/750,572, filed on Sep. 15, 2020, now Pat. No. Des. 939,184, which is a continuation of application No. 29/744,990, filed on Aug. 3, 2020, now Pat. No. Des. 939,183.

(57) **CLAIM**

We claim, the ornamental design for a confectionery, as shown and described.

(51) **LOC (13) Cl.** **01-01**
(52) **U.S. Cl.**
USPC **D1/127; D1/199**

DESCRIPTION

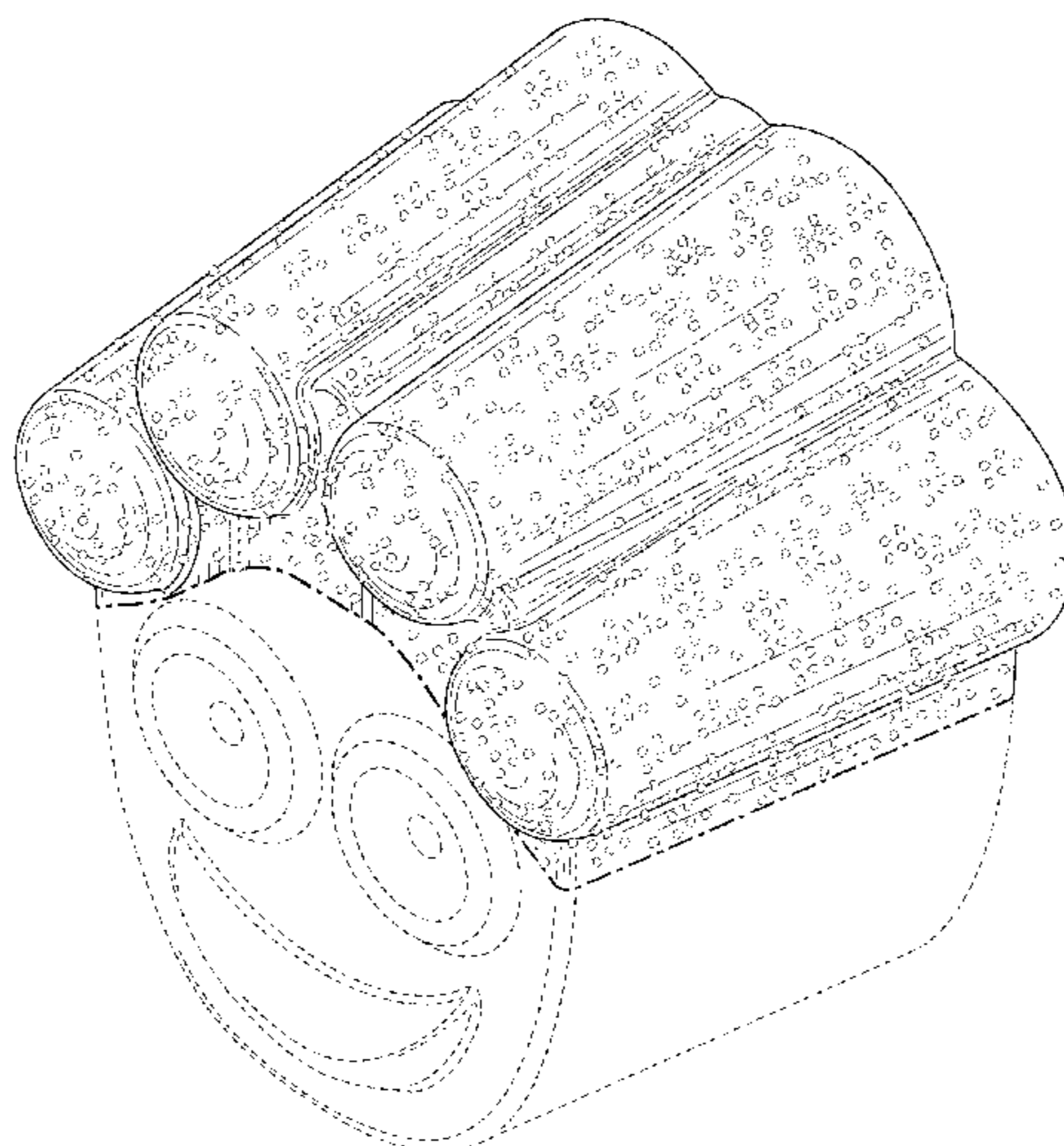
(58) **Field of Classification Search**
USPC D1/100–130, 199; 426/5, 104, 249, 275, 426/660, 549, 512; D24/101–104; 273/429; D9/707, 714; D28/8.1, 4; D14/433; D11/20, 31
CPC ... A23G 4/02; A23G 4/06; A23G 4/08; A23G 4/10; A23G 4/20; A23G 4/00; A23G 3/38; A23G 3/42; A23G 3/54; A23G 3/50; A23G 9/48; A23K 1/164; A23V 2002/00
See application file for complete search history.

FIG. 1 is a front, top and right side perspective view of a confectionery, showing our new design; FIG. 2 is a front elevation view thereof; FIG. 3 is a rear elevation view thereof; FIG. 4 is a right side elevation view thereof; FIG. 5 is a left side elevation view thereof; FIG. 6 is a top plan view thereof; and, FIG. 7 is a bottom plan view thereof. The evenly-spaced broken lines in FIGS. 1-7 illustrate portions of the confectionery that form no part of the claimed design. The dash-dot-dash broken lines in FIGS. 1, 2, 4, and 5 illustrate the boundary of the claimed design which forms no part thereof.

(56) **References Cited**
U.S. PATENT DOCUMENTS

D62,611 S 7/1923 Hochstraser
D224,549 S 8/1972 Kroll

1 Claim, 7 Drawing Sheets



(56)

References Cited

U.S. PATENT DOCUMENTS

D695,988 S 12/2013 Trammell et al.
D728,192 S * 5/2015 Neely D1/109
D759,339 S * 6/2016 Smith D99/5
D768,351 S * 10/2016 Sherman D1/108
D768,352 S 10/2016 Sherman et al.
D779,150 S 2/2017 Sherman et al.
D806,246 S * 12/2017 Schraga D24/146
D819,901 S * 6/2018 Bone D30/199
D929,672 S * 8/2021 Hoover D30/160
D936,332 S * 11/2021 O'Brien D1/109
D938,831 S * 12/2021 Picken D9/756
D939,183 S * 12/2021 Polak D1/127
D939,184 S * 12/2021 Polak D1/127
2008/0213436 A1 9/2008 Mansuino

OTHER PUBLICATIONS

U.S. Appl. No. 29/744,990, filed Aug. 3, 2020; Restriction Requirement dated Jun. 8, 2021; pp. 1-11.

U.S. Appl. No. 29/750,572, filed Sep. 15, 2020; Restriction Requirement dated Jun. 7, 2021; pp. 1-6.

* cited by examiner

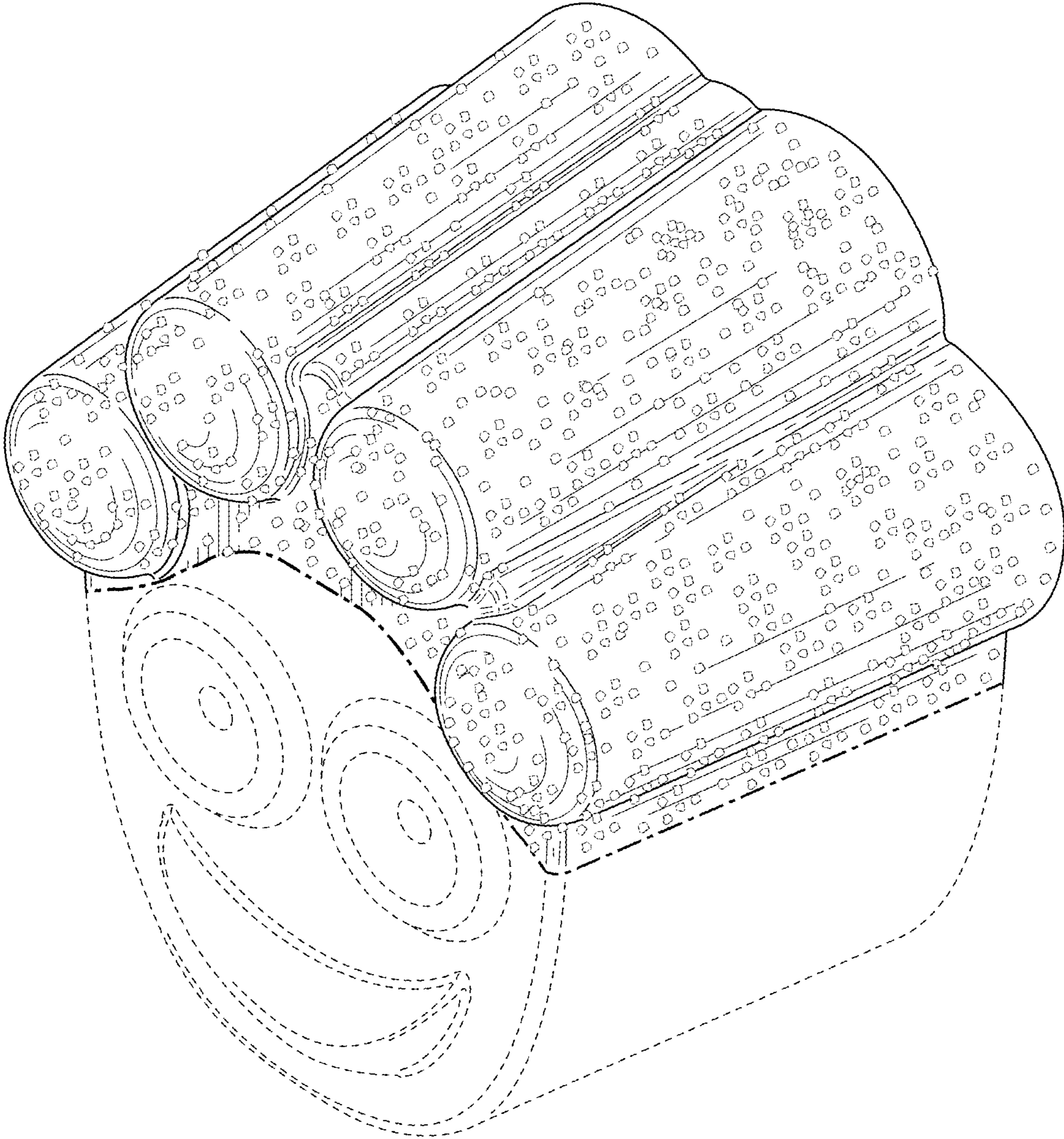


FIG. 1

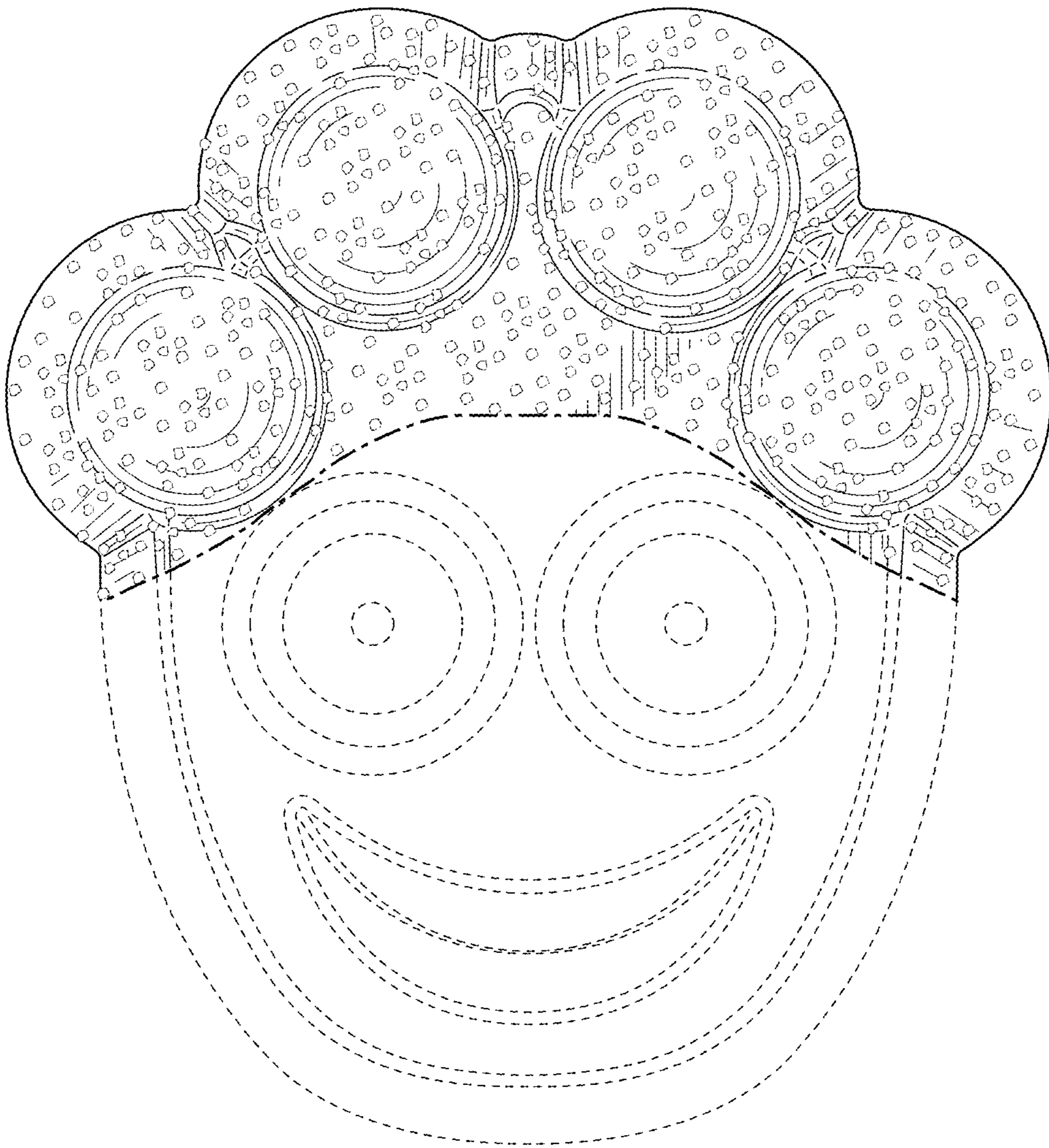


FIG. 2

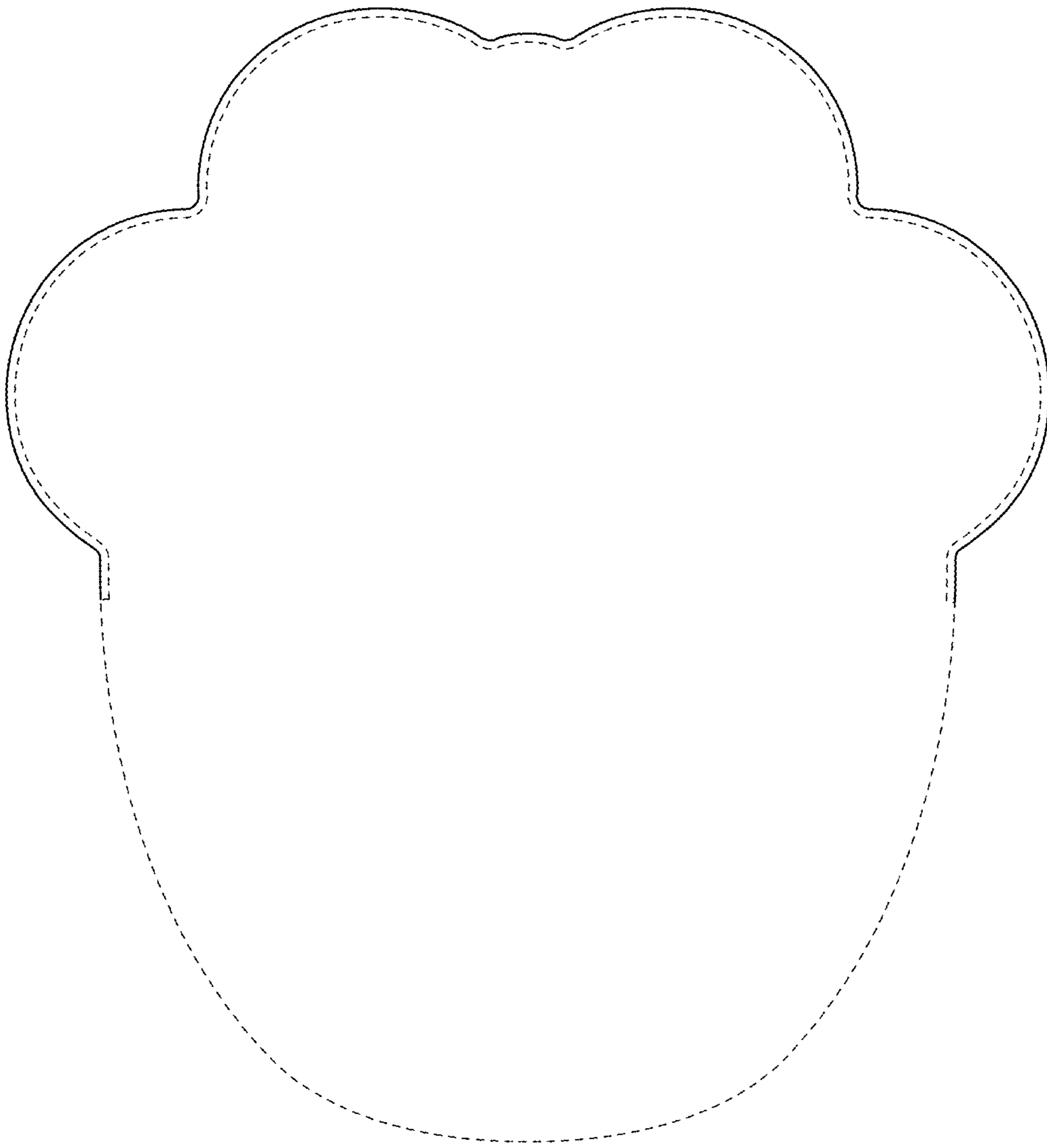


FIG. 3

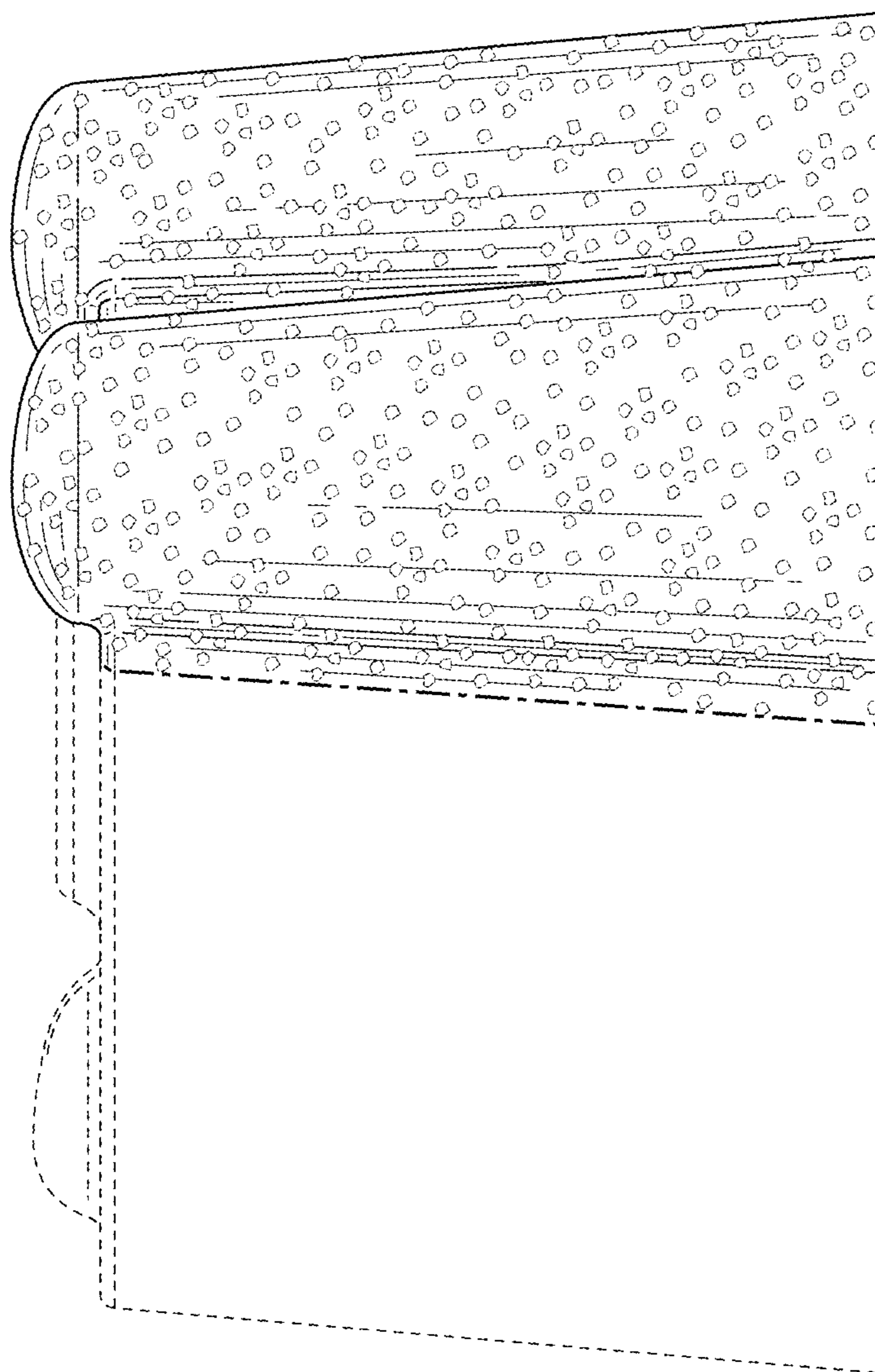


FIG. 4

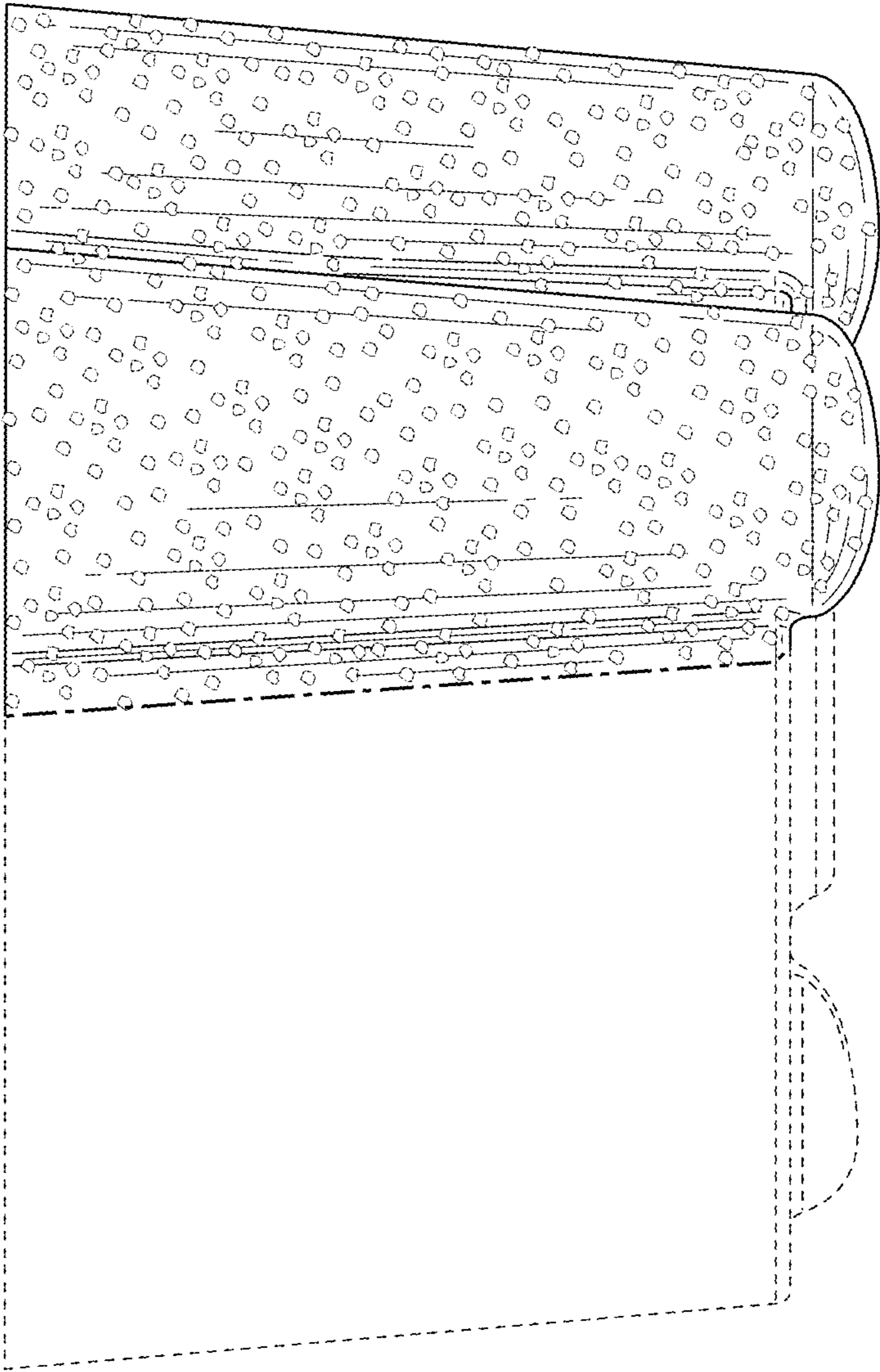


FIG. 5

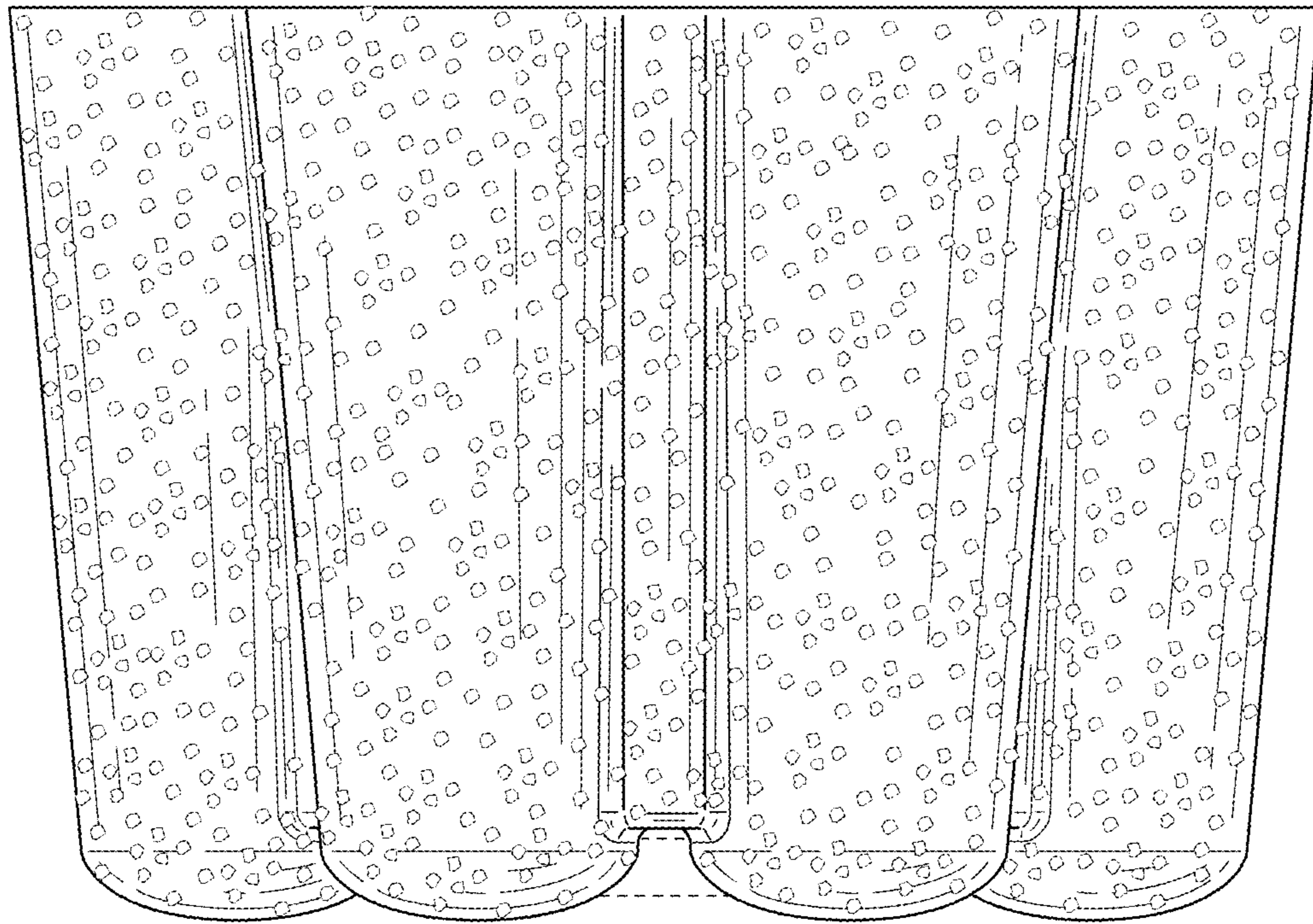


FIG. 6

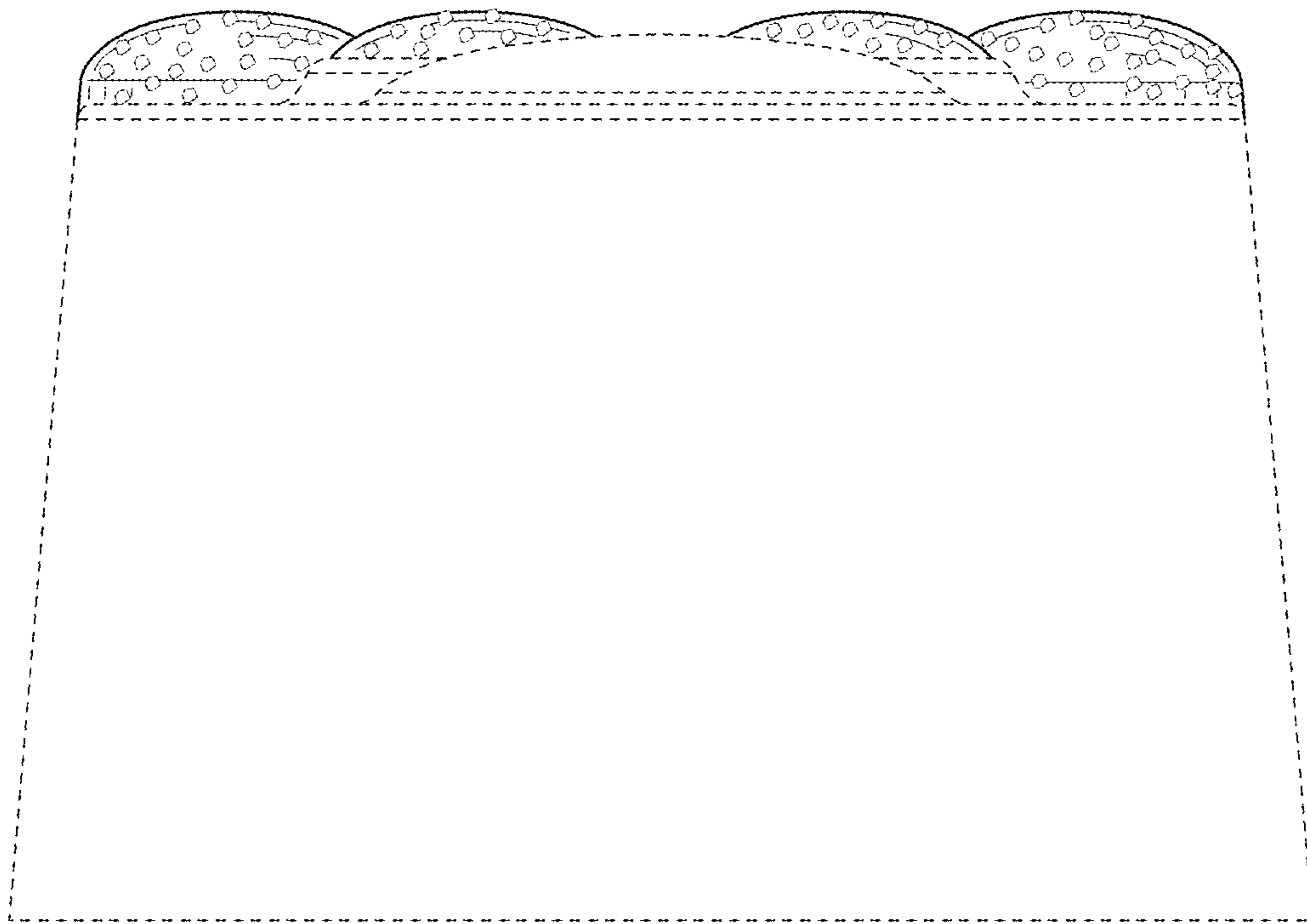


FIG. 7