



US00D959085S

(12) **United States Design Patent** (10) **Patent No.:** **US D959,085 S**  
**Hilmerson** (45) **Date of Patent:** **\*\* Jul. 26, 2022**

(54) **GUARDRAIL STORAGE PLATFORM**

(56) **References Cited**

(71) Applicant: **Debra Lee Hilmerson**, Savage, MN  
(US)

U.S. PATENT DOCUMENTS

D203,585 S 2/1966 Triggs  
3,479,010 A 11/1969 Harmon

(72) Inventor: **Debra Lee Hilmerson**, Savage, MN  
(US)

(Continued)

(\*\*) Term: **15 Years**

OTHER PUBLICATIONS

(21) Appl. No.: **29/822,405**

Garlock Safety Systems, Trailer Guardrail System, 2020, Grainger  
website: <https://www.grainger.com/product/GARLOCK-SAFETY-SYSTEMS-Trailer-Guardrail-System-493M95>.

(22) Filed: **Jan. 8, 2022**

(Continued)

**Related U.S. Application Data**

*Primary Examiner* — Cynthia Ramirez

(63) Continuation of application No. 29/764,324, filed on Dec. 29, 2020, now abandoned, and a continuation of application No. 29/732,387, filed on Apr. 23, 2020, now Pat. No. Des. 898,317, which is a continuation of application No. 16/828,904, filed on Mar. 24, 2020, now abandoned, which is a continuation of application No. 16/529,621, filed on Aug. 1, 2019, now Pat. No. 10,597,057, which is a continuation-in-part of application No. 16/024,418, filed on Jun. 29, 2018, now abandoned, which is a continuation-in-part of application No. 29/640,861, filed on Mar. 16, 2018, now Pat. No. Des. 907,253.

(74) *Attorney, Agent, or Firm* — Eduardo E. Drake;  
Fantastic IP Consulting

(60) Provisional application No. 16/024,418, filed on Nov. 21, 2017, provisional application No. 16/024,418, filed on Jun. 29, 2017.

(57) **CLAIM**

The ornamental design for a guardrail storage platform, as shown and described.

(51) **LOC (13) Cl.** ..... **12-02**

(52) **U.S. Cl.**  
USPC ..... **D34/17**

(58) **Field of Classification Search**  
USPC ..... D34/12, 14, 17, 26  
CPC .. B62B 1/186; B62B 1/22; B62B 1/24; B62B  
1/262; B62B 5/0086; E04G 5/004; E04G  
5/00

**DESCRIPTION**

A portion of this document contains material subject to copyright protection. The copyright owner has no objection to the facsimile reproduction by anyone of the patent document or the patent disclosure, as it appears in the Patent and Trademark Office patent files or records, but otherwise reserves all copyrights whatsoever. The following notice applies to this document: Copyright © 2020, Hilmerson Safety Services, Inc.

FIG. 1 is a perspective view of a guardrail storage platform incorporating the claimed design.

FIG. 2 is front view thereof.

FIG. 3 is back view thereof.

FIG. 4 is a left side view thereof.

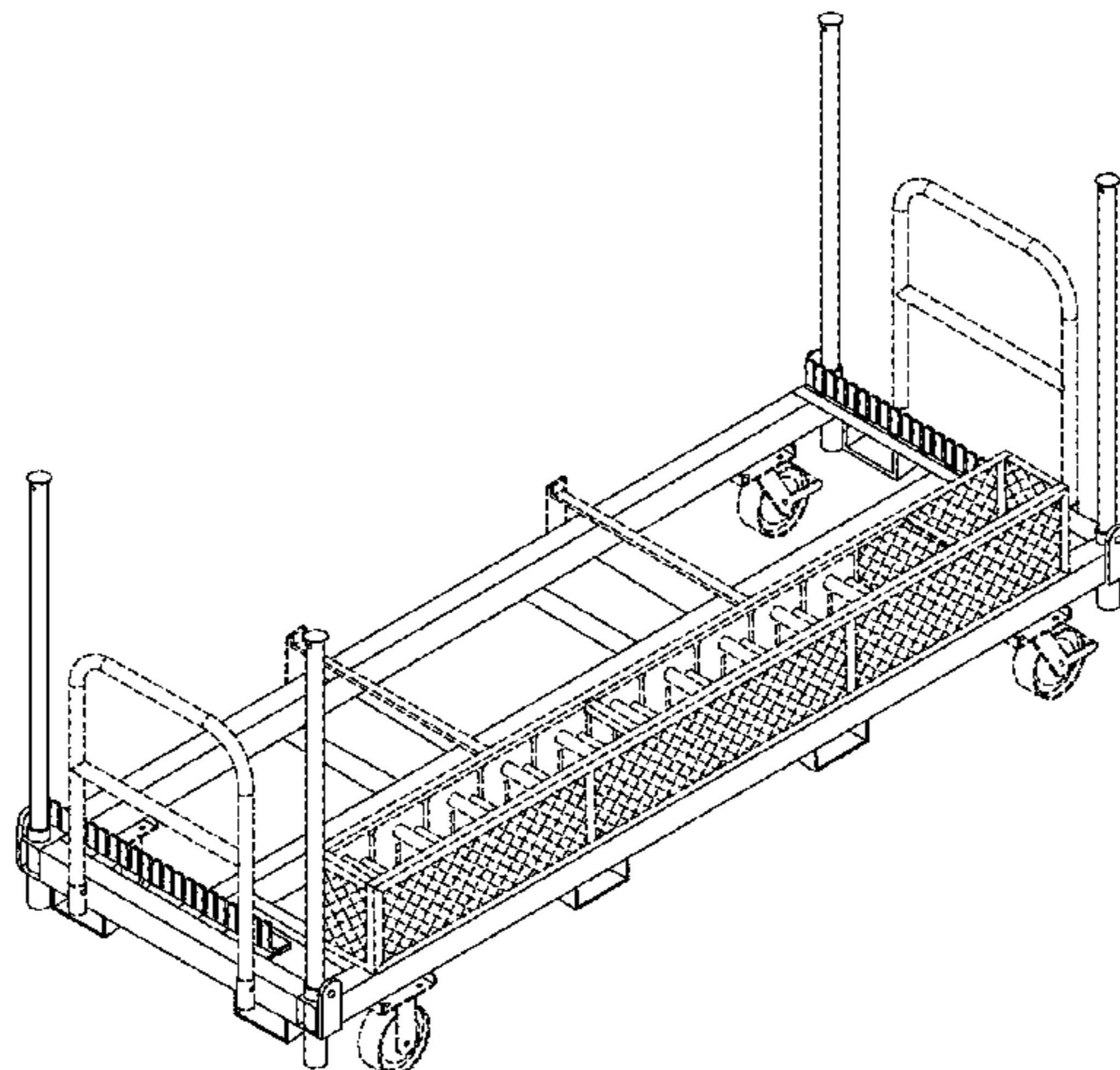
FIG. 5 is a right side view thereof.

FIG. 6 is top view thereof; and,

FIG. 7 is a bottom view thereof.

(Continued)

See application file for complete search history.



The broken lines in the drawings depict environment or structural features that form no part of the claimed design. The shade lines in the drawings show contour and not surface ornamentation.

**1 Claim, 7 Drawing Sheets**

(56)

**References Cited**

U.S. PATENT DOCUMENTS

4,901,650	A	2/1990	Armstead	
4,952,114	A	8/1990	Langer	
D313,099	S	12/1990	Tasley	
5,018,629	A	5/1991	Lamar	
D371,450	S	7/1996	Hodges	
D388,923	S	1/1998	Pacheco	
5,713,584	A	2/1998	Crane	
6,109,390	A	8/2000	Giannopoulos	
D439,719	S	3/2001	Kleinschmidt	
6,669,213	B2	12/2003	Woerner	
6,691,826	B1	2/2004	Dean	
6,955,384	B1	10/2005	Good	
7,392,993	B1	7/2008	Prohl	
7,878,338	B2	2/2011	Maxson	
D747,586	S	1/2016	Ludchen	
D757,388	S *	5/2016	Rocha	D34/26
9,826,710	B1	11/2017	McNew	
D810,377	S *	2/2018	Sukhov	D34/12
D810,379	S	2/2018	Sarian	
D810,381	S	2/2018	Prichard	
9,969,416	B2	5/2018	Tarrant	

D826,507	S	8/2018	Wernberg	
10,160,467	B2	12/2018	Josephsen	
D842,575	S	3/2019	Yu	
D855,921	S	8/2019	Yu	
D858,925	S *	9/2019	Sukhov	D34/12
D858,926	S *	9/2019	Sukhov	D34/12
10,464,750	B2	11/2019	Pruskauer	
10,507,992	B2	12/2019	Tackett	
10,597,057	B1	3/2020	Hilmerson	
D889,954	S *	7/2020	Lockwood	D8/499
D898,317	S *	10/2020	Hilmerson	E04G 5/001 D34/17

D931,569	S	9/2021	Huang	
2001/0045718	A1	11/2001	Boirum	
2014/0084036	A1	3/2014	Hemann	
2018/0154916	A1	6/2018	Yu	
2019/0301431	A1	10/2019	Uyunuk	

OTHER PUBLICATIONS

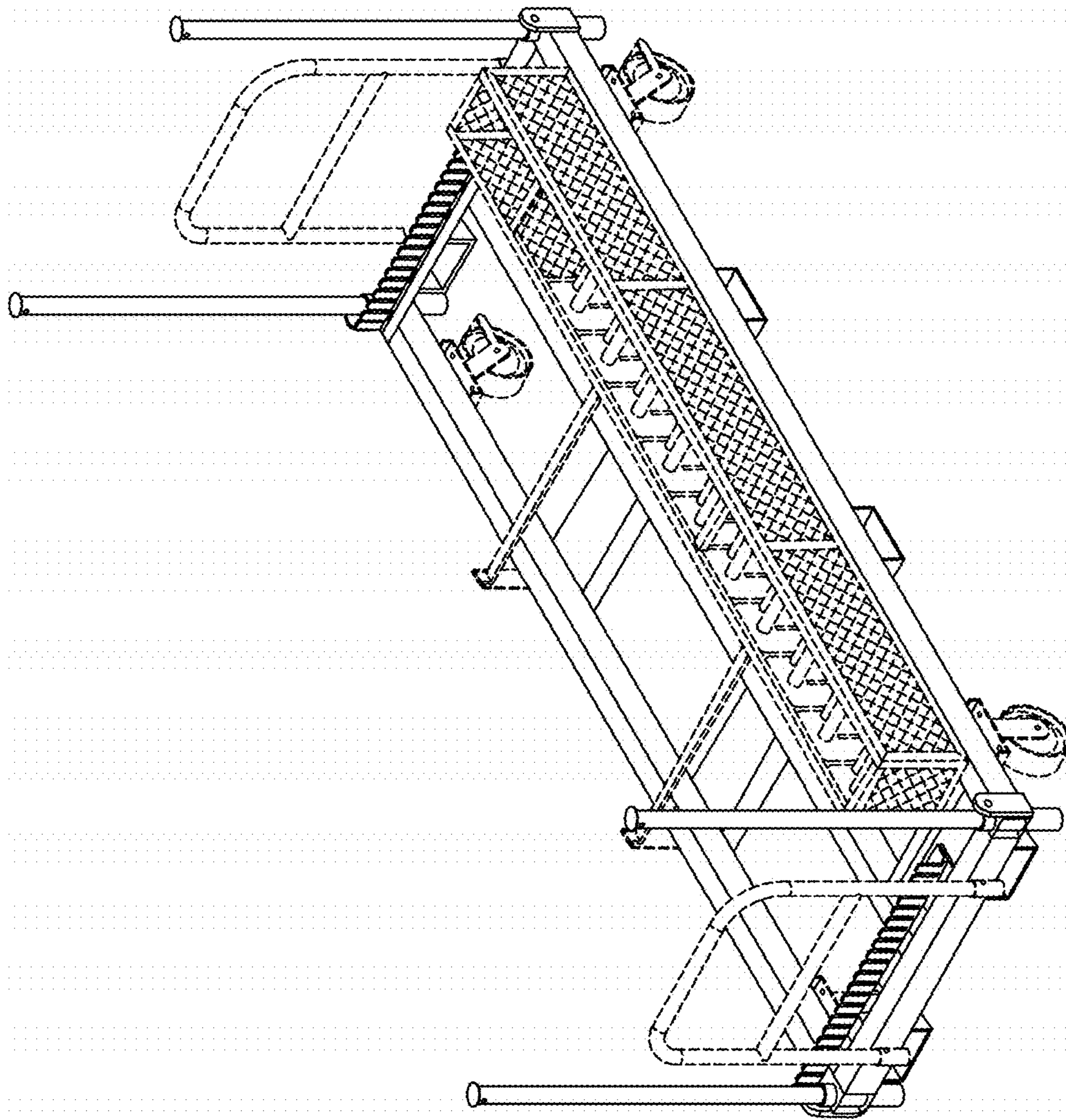
Garlock Safety Systems, Speedguard II Flatbed Fall Protection, Apr. 10, 2017; <https://web.archive.org/web/20170703010948/http://www.garlocksafety.com:80/speedguard-ii>.

Staging Concepts, Production & Rental Catalog, Copyright 2013, p. 15.

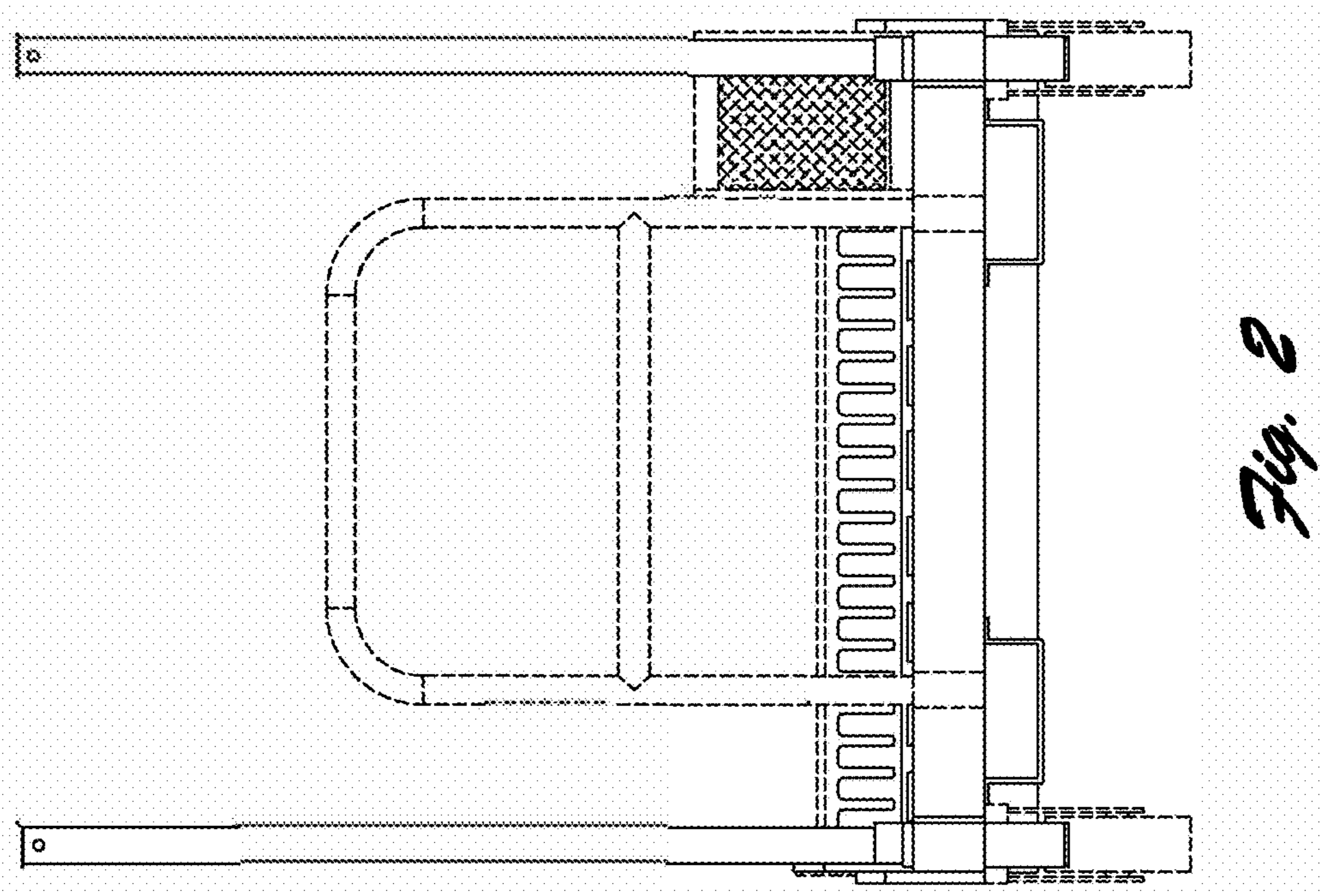
Staging Concepts, Guardrail Cart, Copyright Unlisted, Minneapolis, Minnesota, USA <https://www.stagingconcepts.com/products/storagetransport-carts/guardrail-cart/>.

Vestil Manufacturing, Heavy Duty Stackable Material Cart, Copyright Unlisted, Drawing Dated Jan. 4, 2019, <https://www.vestildocs.com/drawings/SPC-3668-2L.pdf>.

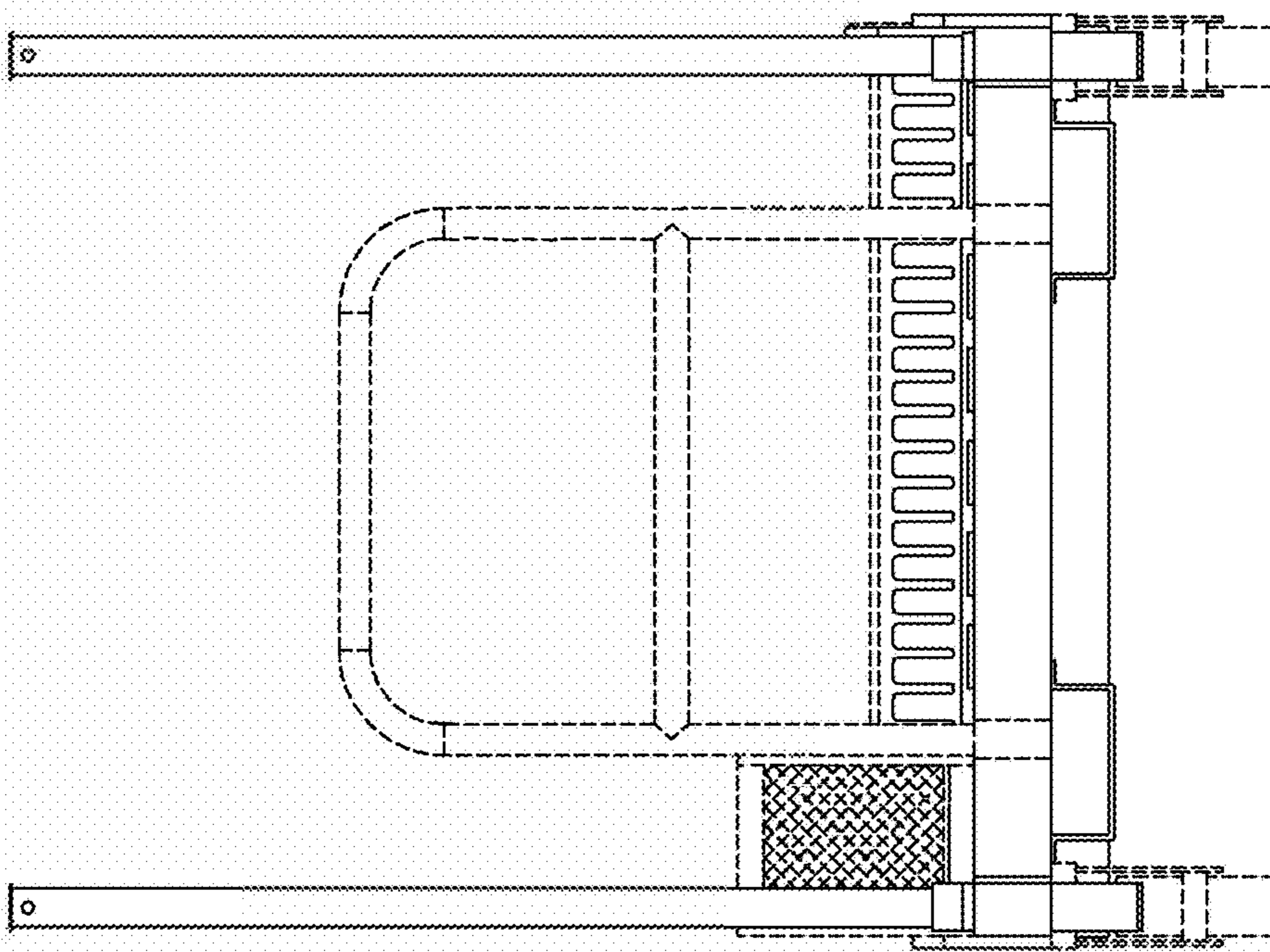
\* cited by examiner



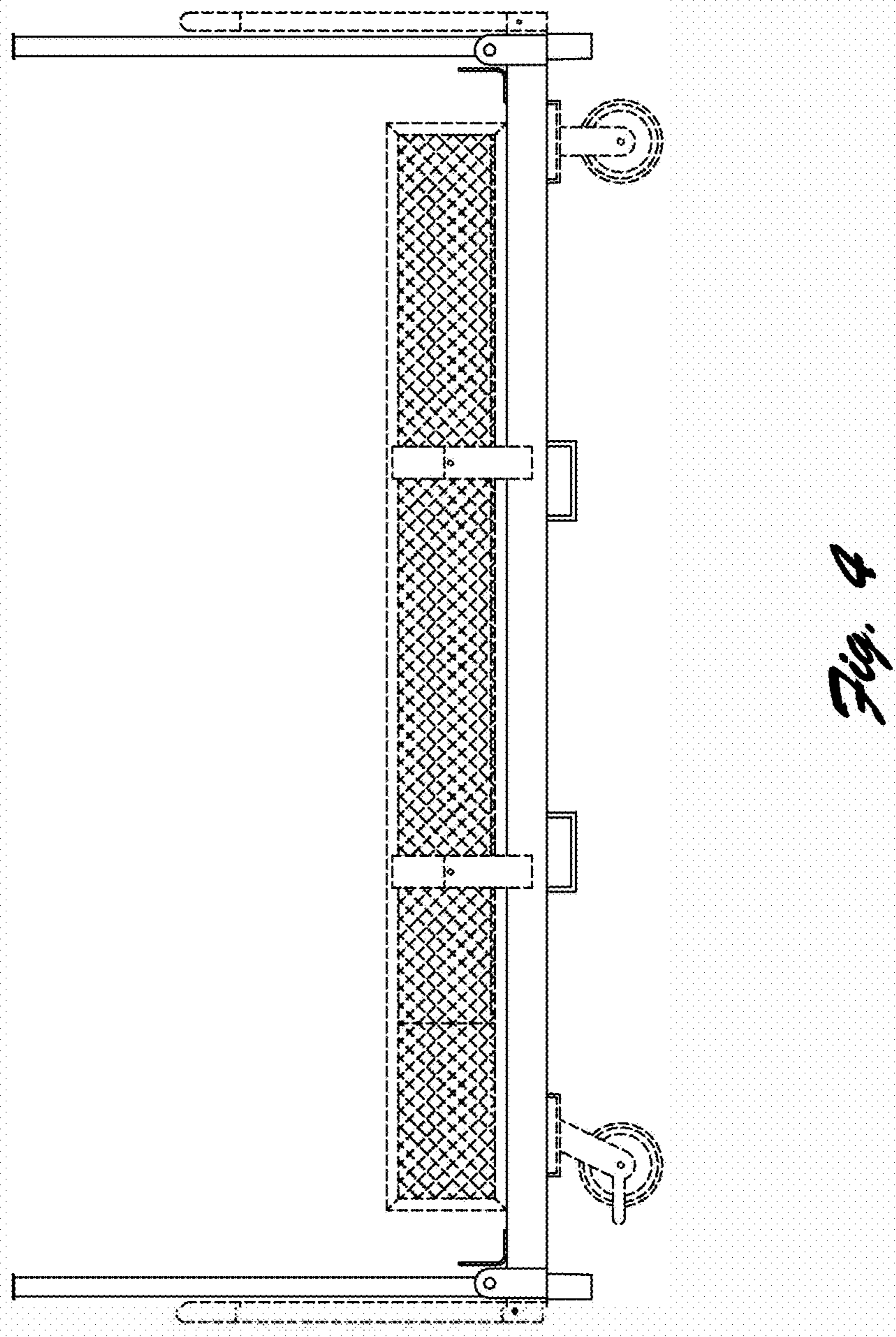
*Fig. 1*

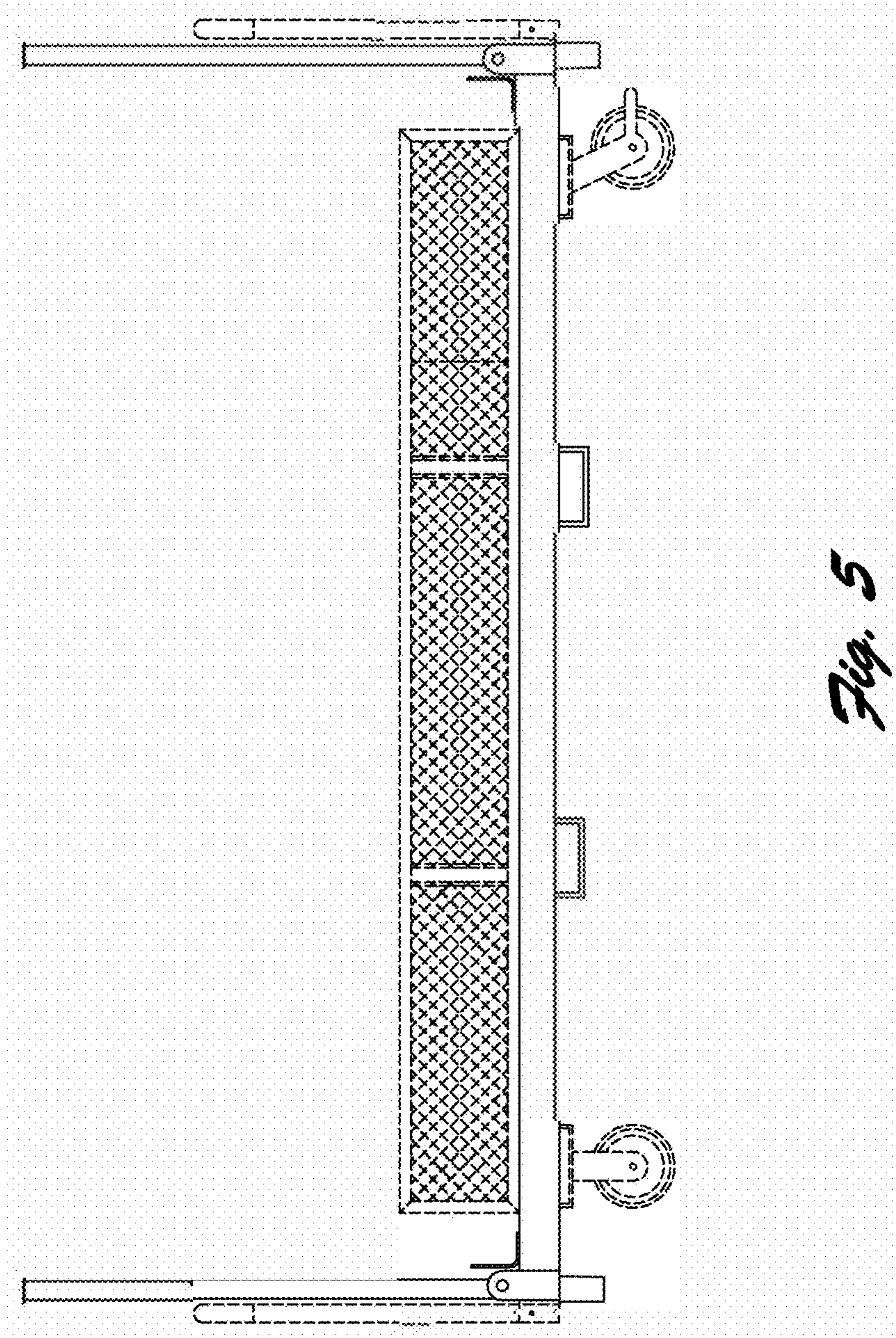


*Fig. 2*

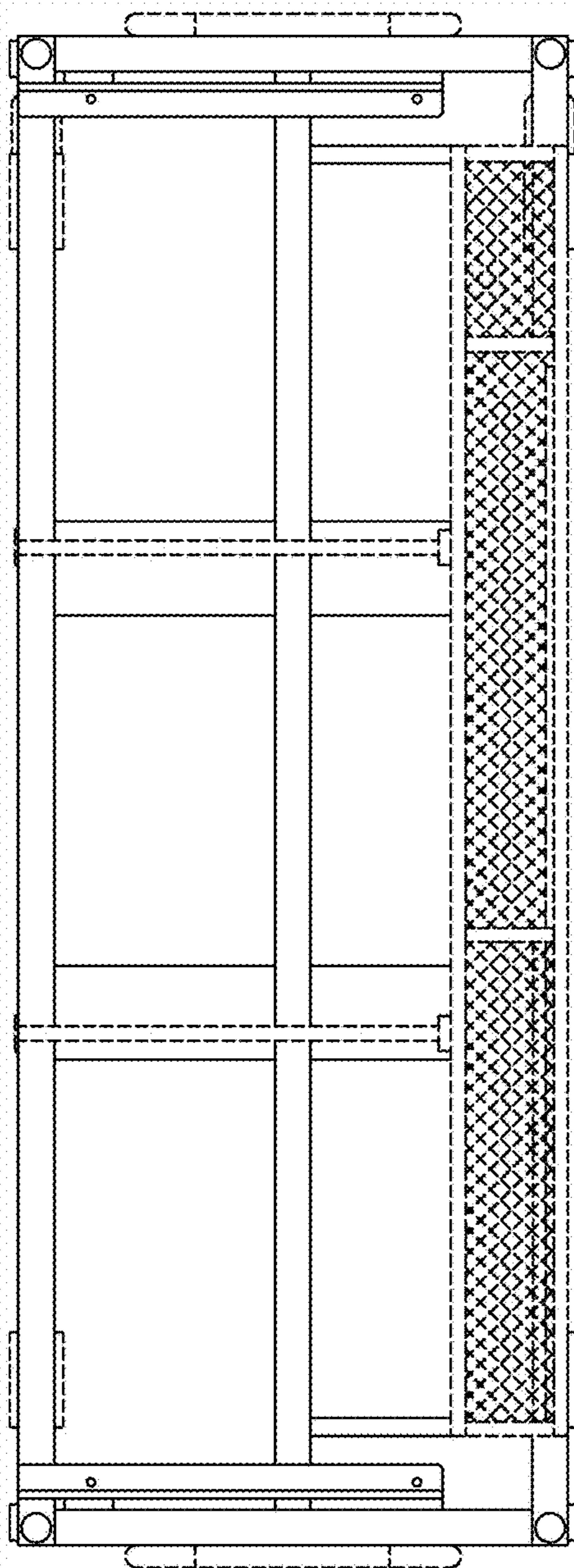


*Fig. 3*



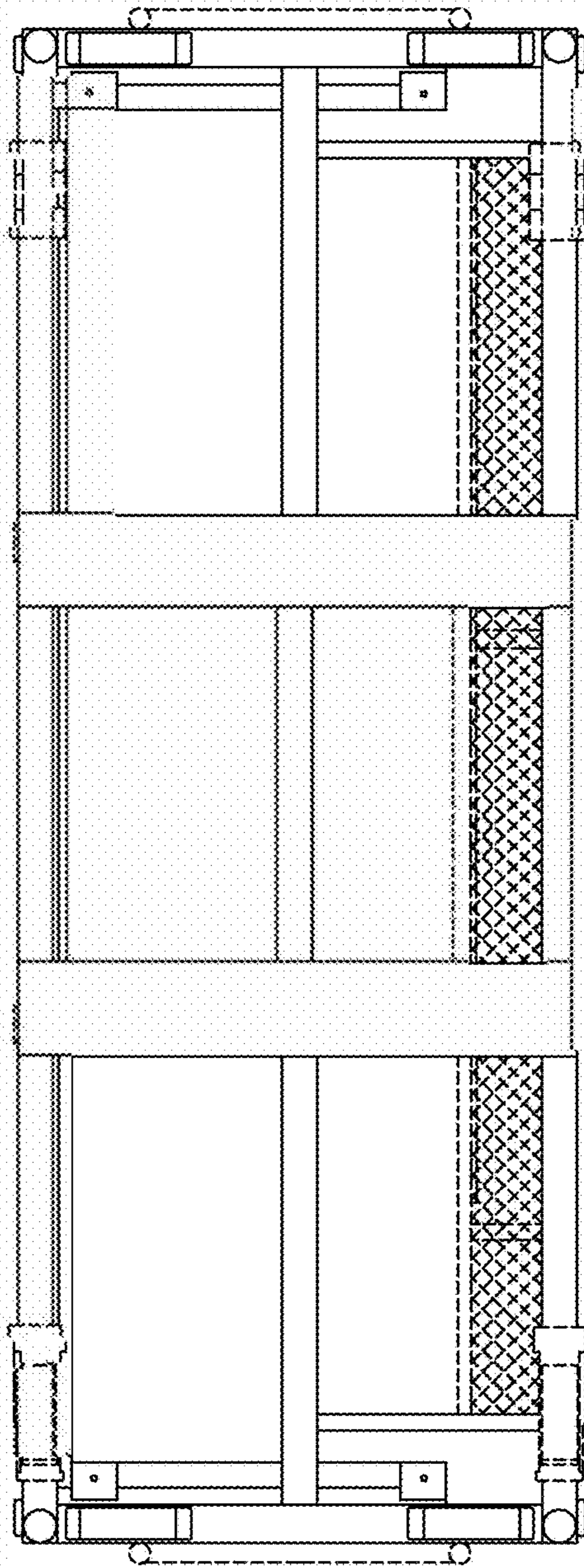


*Fig. 5*



*Fig. 6*





*Fig. 7*