



US00D959084S

(12) **United States Design Patent**  
**Nilaweera**

(10) **Patent No.:** **US D959,084 S**

(45) **Date of Patent:** **\*\* Jul. 26, 2022**

(54) **DRYING RACK**

FOREIGN PATENT DOCUMENTS

(71) Applicant: **Sudham Nilaweera**, Ridgefield, CT  
(US)

KR 301094620.0000 \* 2/2021

(72) Inventor: **Sudham Nilaweera**, Ridgefield, CT  
(US)

OTHER PUBLICATIONS

(\*\*) Term: **15 Years**

Amazon.com Self-Draining Silicone Dish Drying Mat [https://www.amazon.com/KDM-10CB-Self-Draining-Silicone-Kitchen-Universal/dp/B09NRXHQRR/ref=asc\\_df\\_B09NRXHQRR/](https://www.amazon.com/KDM-10CB-Self-Draining-Silicone-Kitchen-Universal/dp/B09NRXHQRR/ref=asc_df_B09NRXHQRR/) (Year: 2021).\*  
Amazon.com Self Draining Soap Holder ZW5jcnlwdGVkUXVhbGlmaWVyPUEyUkw2RFQ3UE1LVU4zJmVuY3J5cHRIZEIkPUEwNTYyODM4M0dRTTcwMjZaVVIHSCZlbnNyeXB0ZWZWRBZEIkPUEwMTA2NTQ4MIE4RzlhQzRGV0FaMSZ3aWRnZXROeWw1IPXNwX2RldGFpbDlmYW9uPWNsaWNrUmVkaXJlY3QmZG9Ob3RMb2dDbGljaz10cnVI (Year: 2021).\*

(21) Appl. No.: **29/748,766**

(22) Filed: **Sep. 1, 2020**

(51) **LOC (13) Cl.** ..... **07-05**

(52) **U.S. Cl.**  
USPC ..... **D32/55**

(58) **Field of Classification Search**  
USPC ..... D6/525; D30/133; D32/55-59  
CPC ..... A47L 19/00; A47L 19/02; A47L 17/00;  
A47L 17/04; A47J 47/20; A47J 2201/00;  
A47J 47/00; B65D 35/02  
See application file for complete search history.

\* cited by examiner

*Primary Examiner* — Michelle E. Wilson  
*Assistant Examiner* — Richard E Yenchesky  
(74) *Attorney, Agent, or Firm* — Andrew Morabito

(56) **References Cited**

(57) **CLAIM**

The ornamental design for a drying rack, as shown and described.

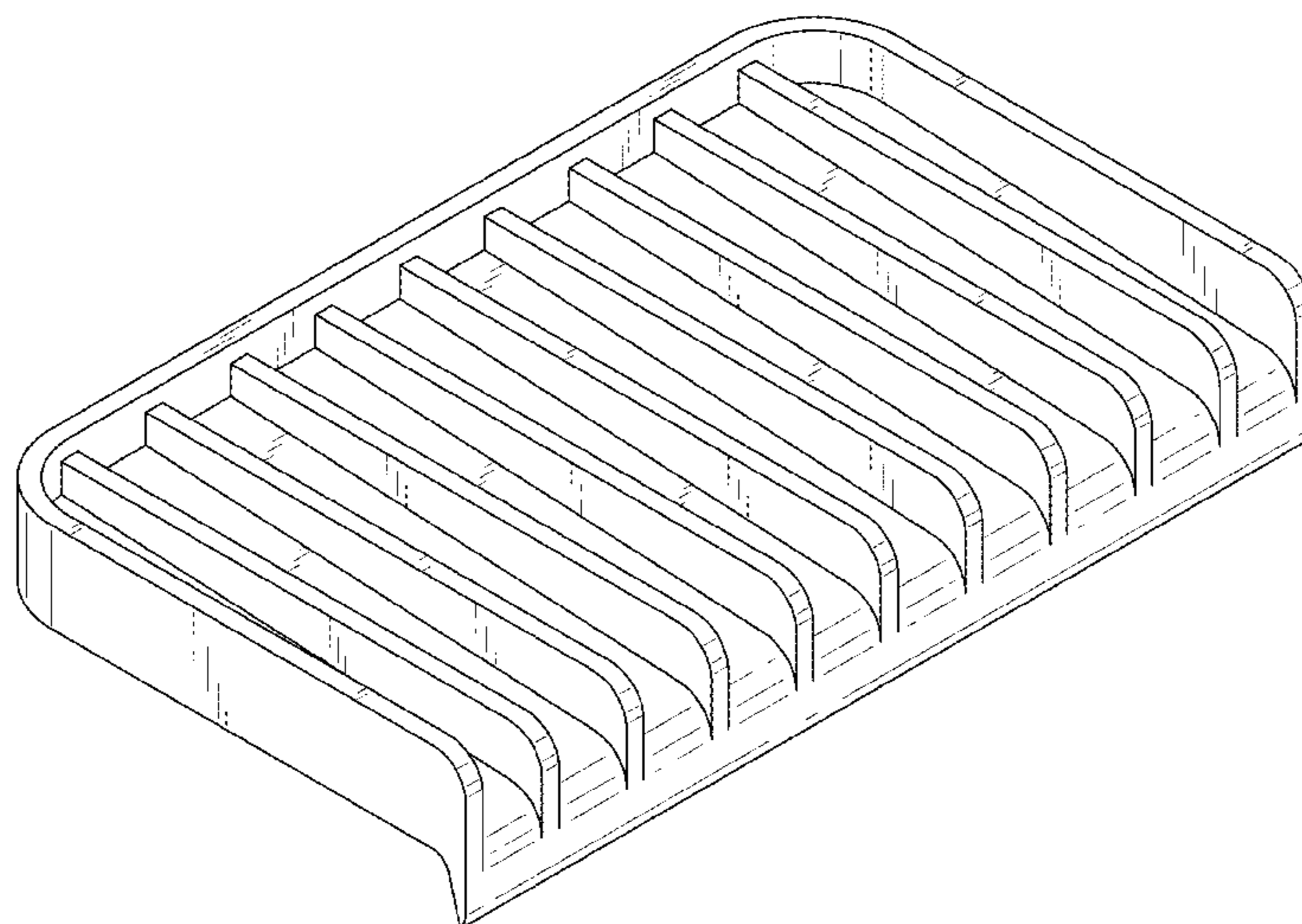
U.S. PATENT DOCUMENTS

D258,511 S *	3/1981	Ashton	.....	D21/392
D297,393 S *	8/1988	Picozza	.....	D7/359
D323,190 S *	1/1992	Evenson	.....	D19/86
D336,182 S *	6/1993	Machut	.....	D6/310
D344,828 S *	3/1994	Adams	.....	D32/56
D353,302 S *	12/1994	Fish	.....	D7/553.2
D433,251 S *	11/2000	Blazevich	.....	D6/629
D446,369 S *	8/2001	Smith	.....	D32/55
D610,405 S *	2/2010	McConnell	.....	D7/409
D647,881 S *	11/2011	Warner	.....	D14/238.1
D663,912 S *	7/2012	Le	.....	D32/55
D696,829 S *	12/2013	Huang	.....	D32/55
D706,008 S *	5/2014	Lerner	.....	D32/55
D720,109 S *	12/2014	Huang	.....	D32/55
D720,810 S *	1/2015	Chuang	.....	D19/90
9,468,334 B2 *	10/2016	Liu	.....	A47J 37/067
D821,120 S *	6/2018	Chang	.....	D6/675.4
D858,155 S *	9/2019	Xu	.....	D6/682.4
D873,520 S *	1/2020	Le	.....	D32/55
D916,412 S *	4/2021	Moody Fear	.....	D32/55
D938,122 S *	12/2021	Chen	.....	D32/55

**DESCRIPTION**

FIG. 1 is a front perspective view of a drying rack showing a new design;  
FIG. 2 is a rear perspective view thereof;  
FIG. 3 is a top view thereof;  
FIG. 4 is a bottom view thereof;  
FIG. 5 is a front view thereof;  
FIG. 6 is a rear view thereof;  
FIG. 7 is a side section view thereof;  
FIG. 8 is a side view thereof; and,  
FIG. 9 is a side view thereof.  
The broken lines immediately adjacent to the shaded area represent unclaimed boundaries of the design. The unshaded regions and regions demarcated by broken lines form no part of the claimed design.

**1 Claim, 6 Drawing Sheets**



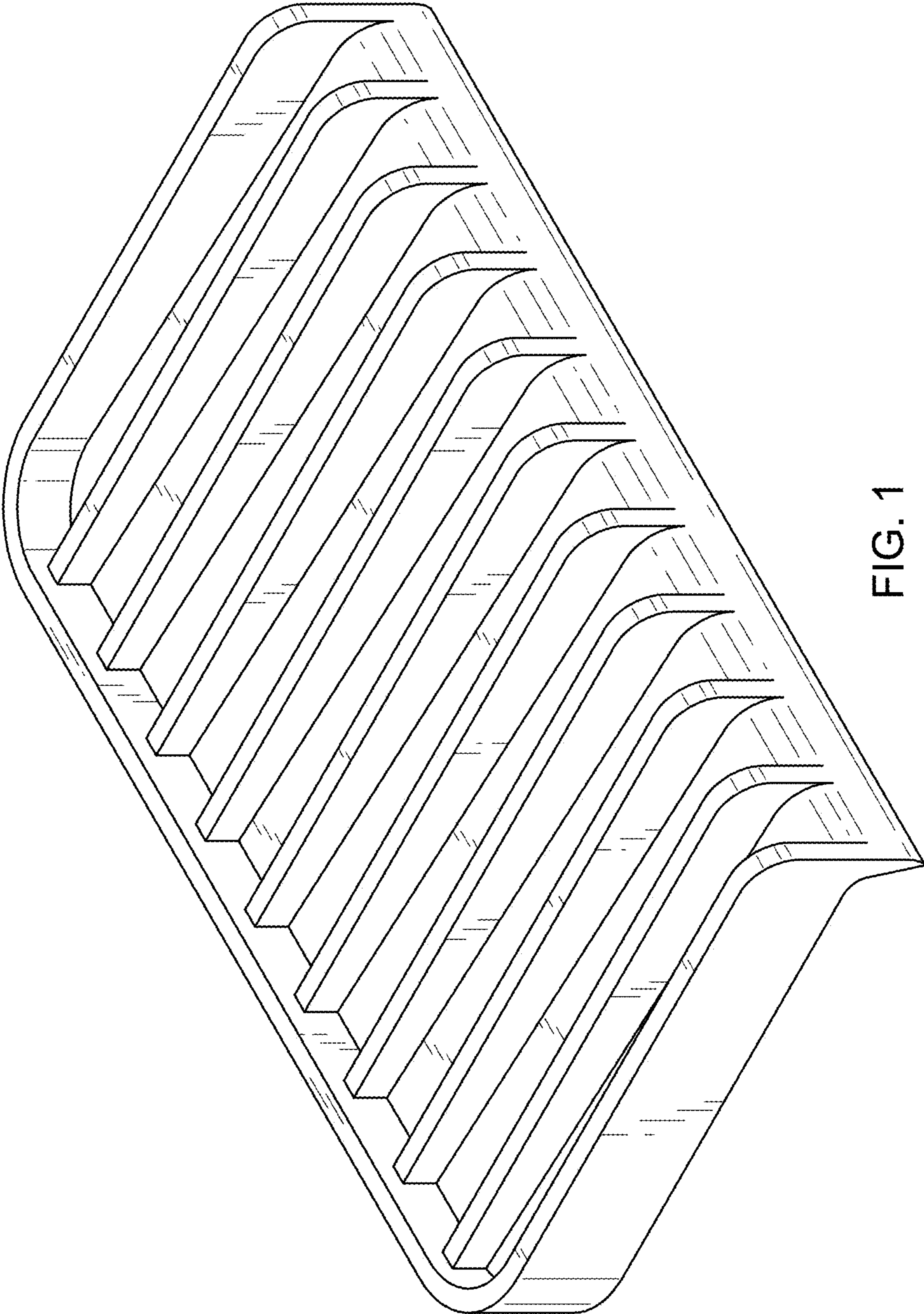


FIG. 1

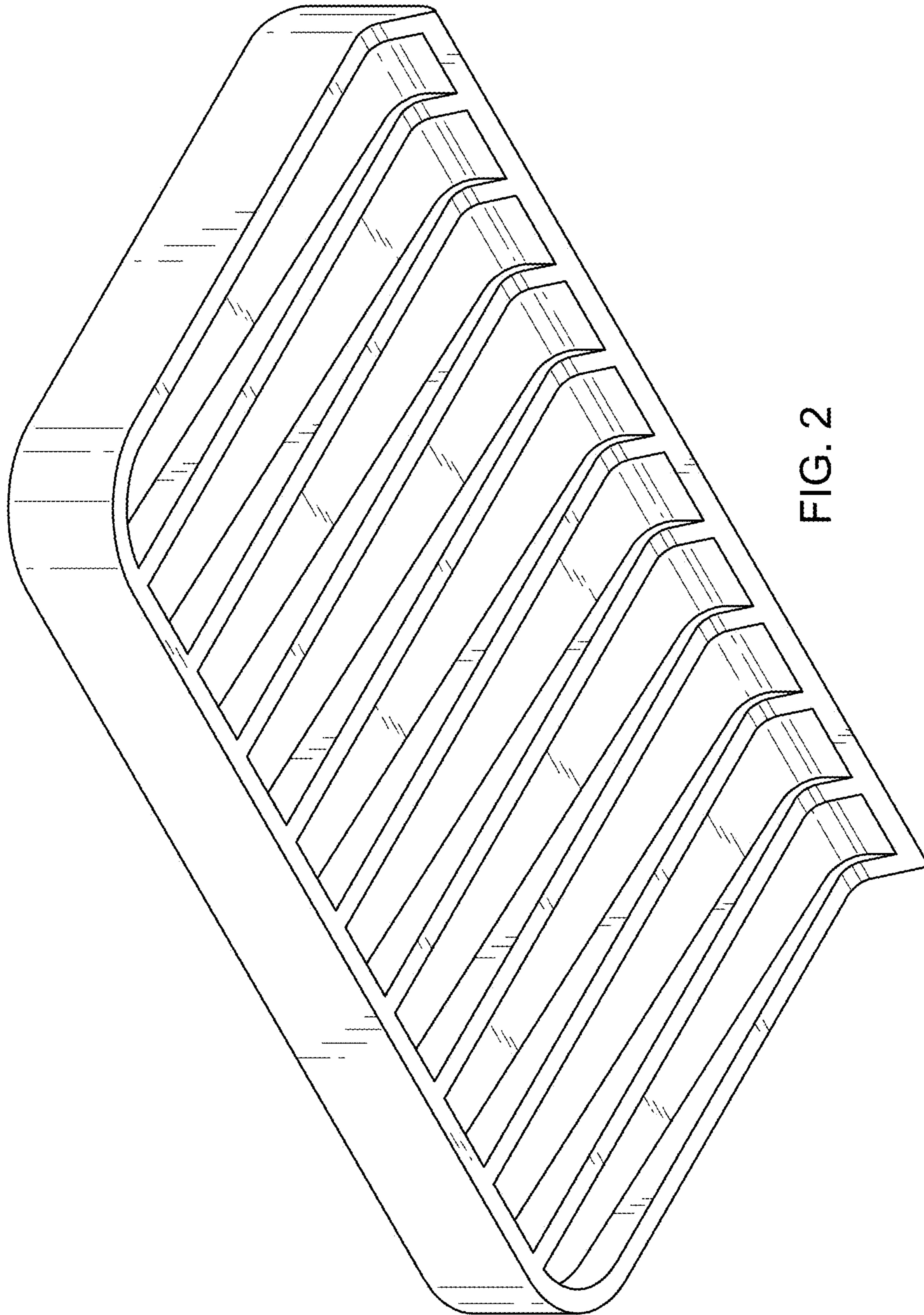


FIG. 2

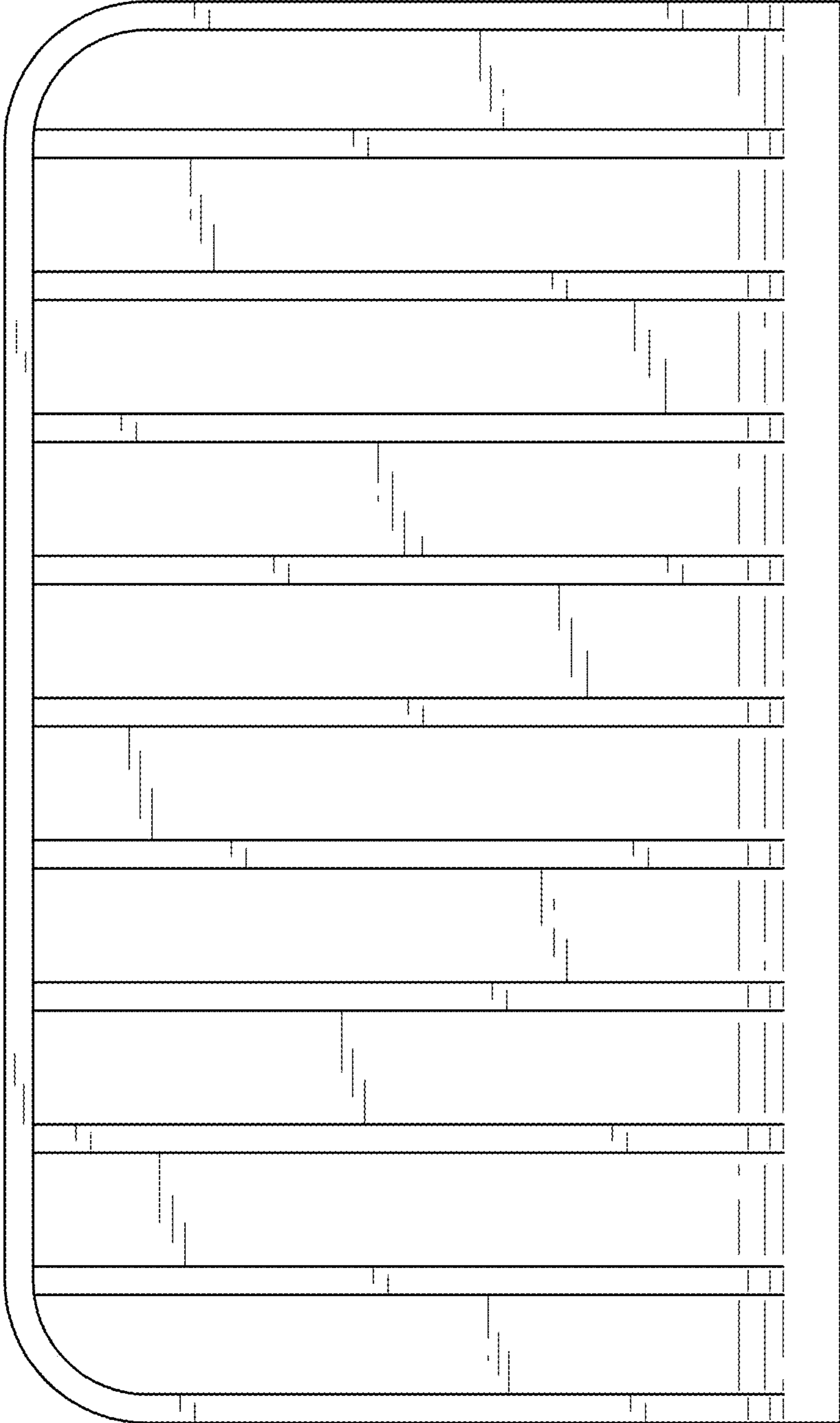


FIG. 3

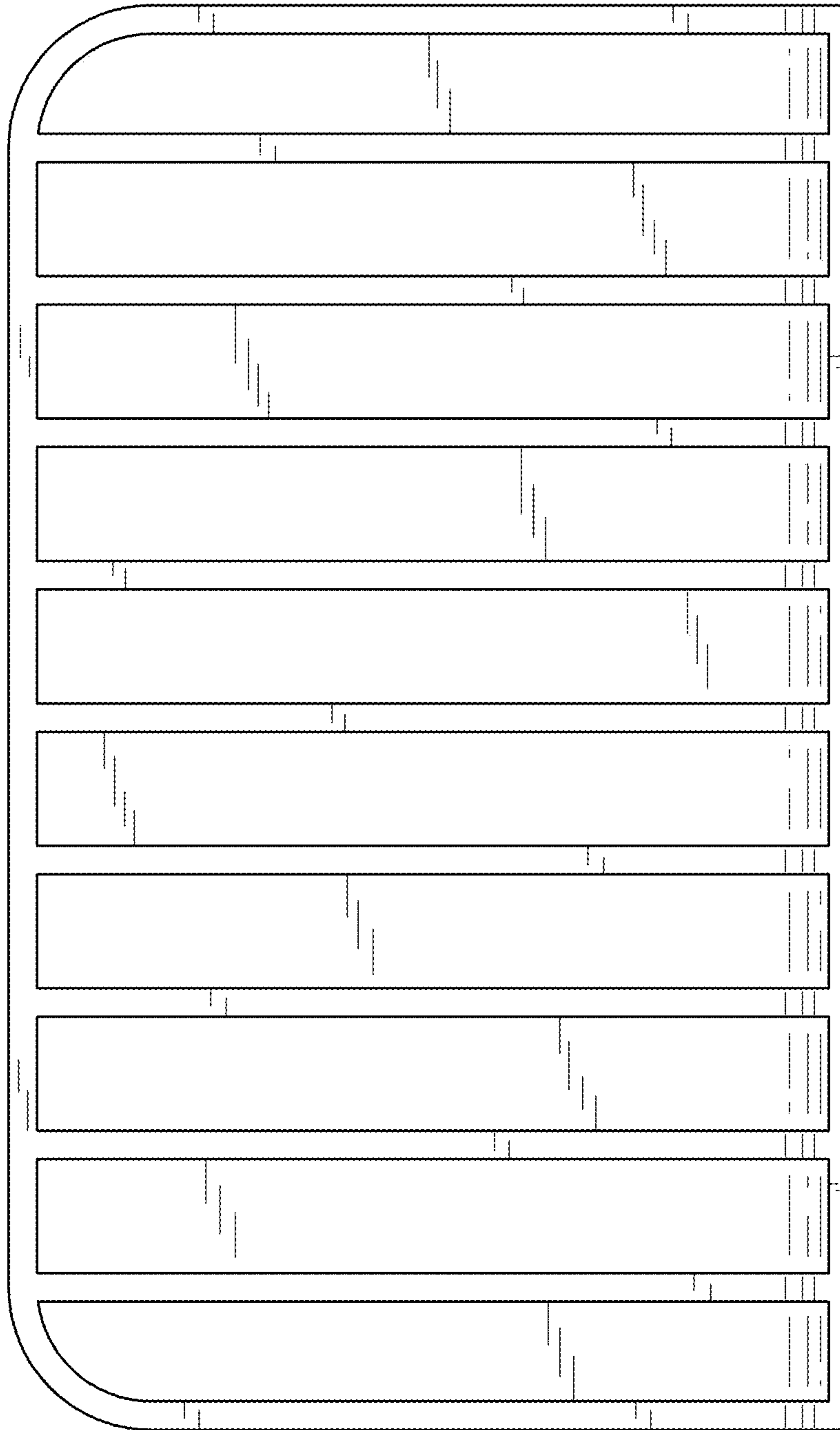


FIG. 4

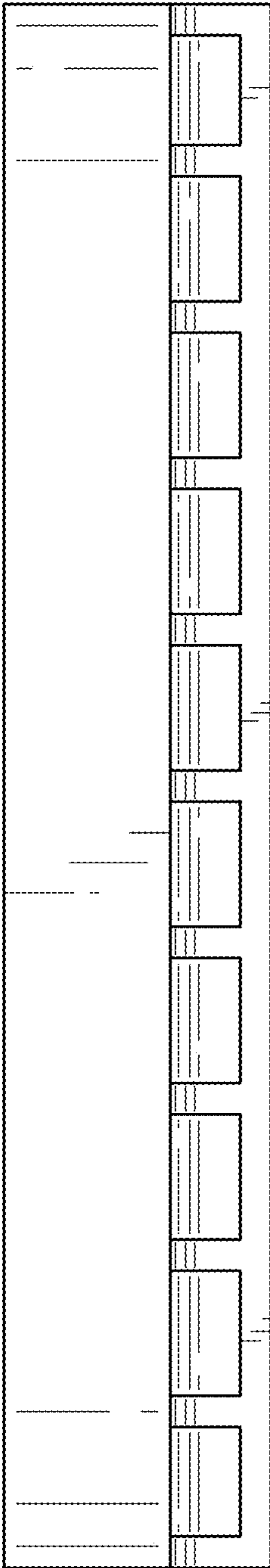


FIG. 5

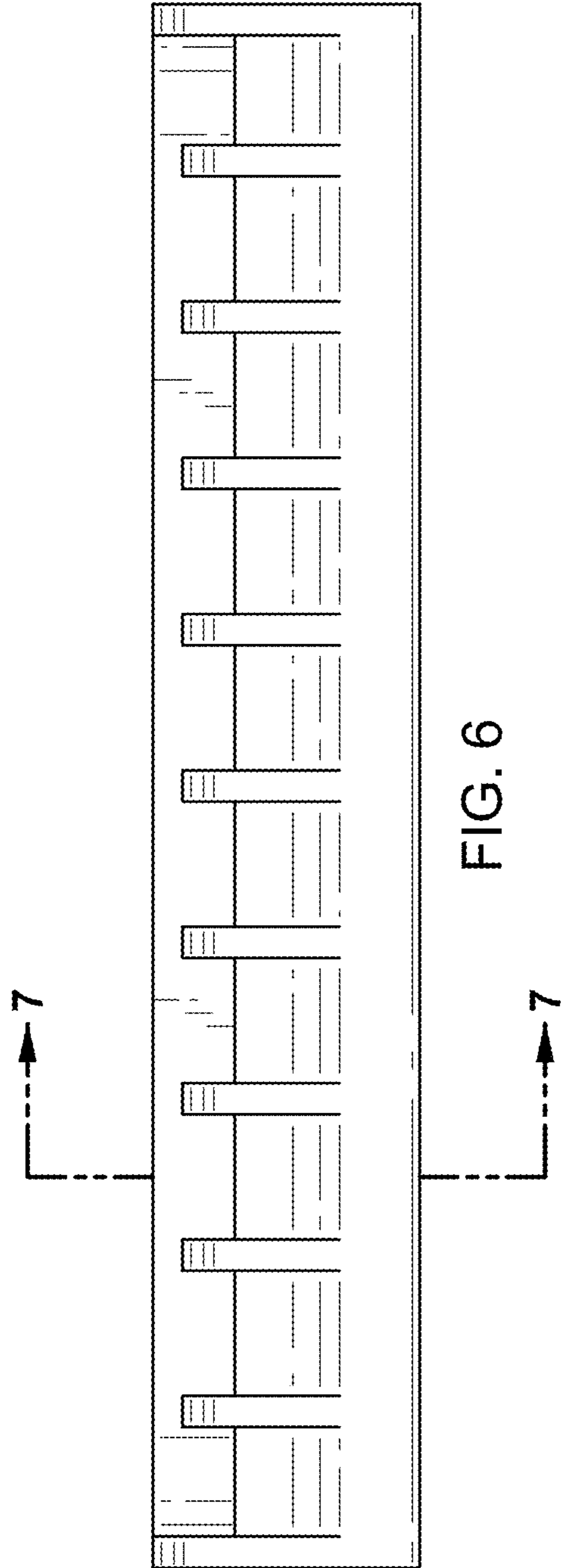


FIG. 6

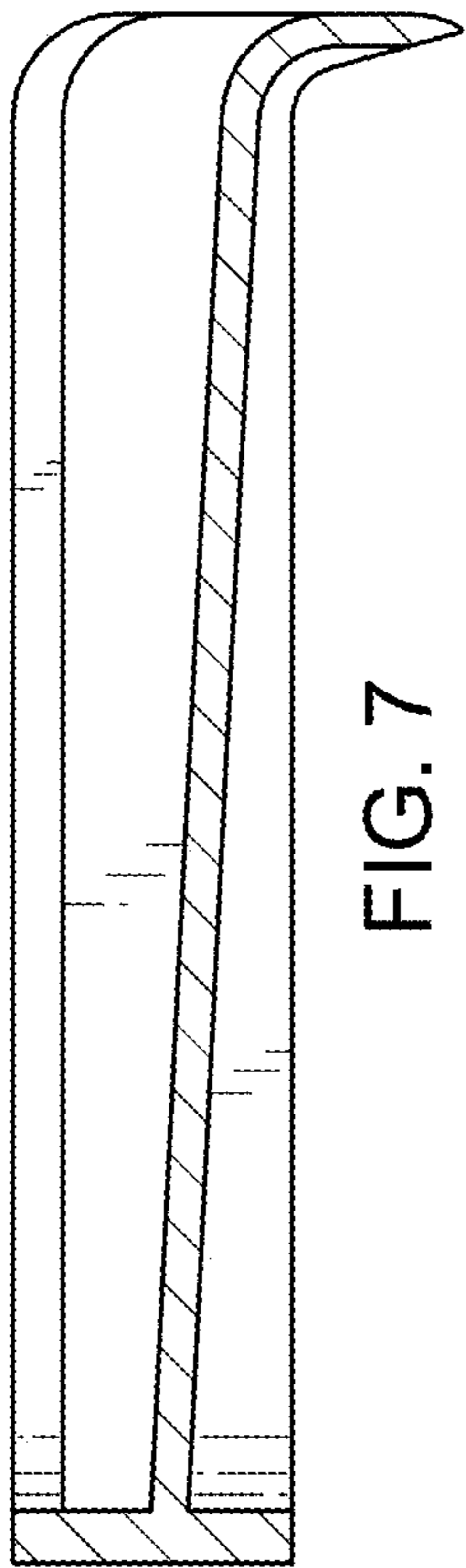


FIG. 7

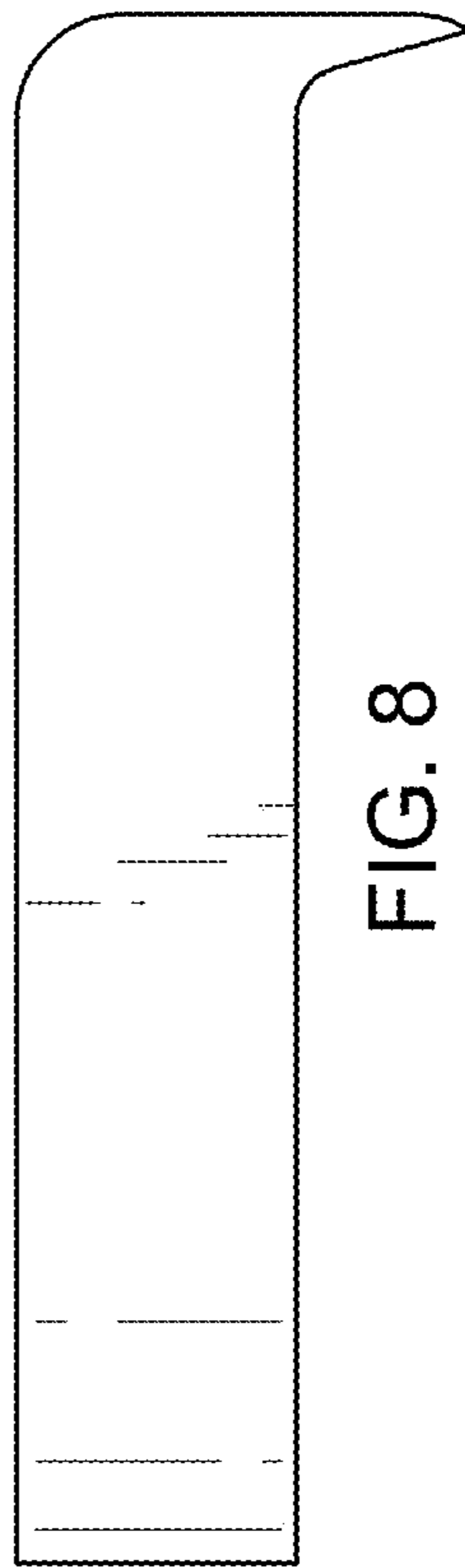


FIG. 8

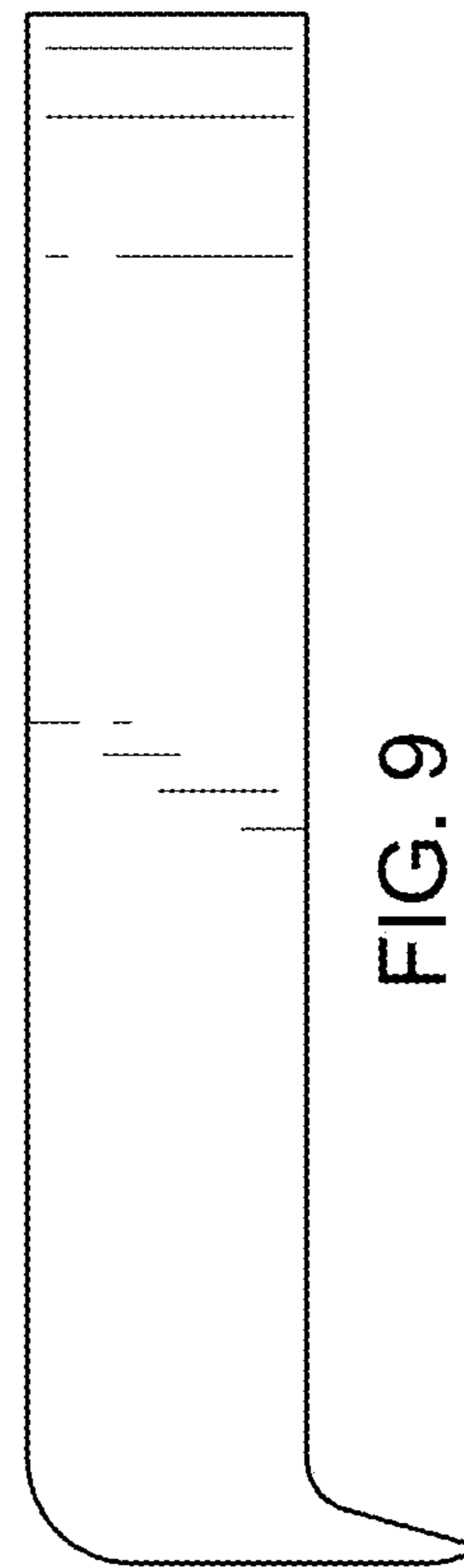


FIG. 9