



US00D959082S

(12) **United States Design Patent** (10) **Patent No.:** **US D959,082 S**
Lambertson, Jr. et al. (45) **Date of Patent:** **** Jul. 26, 2022**

(54) **COATING MATERIAL CONTAINER**

FOREIGN PATENT DOCUMENTS

(71) Applicant: **SWIMC LLC**, Cleveland, OH (US)

CA 2422885 C 9/2001
CA 2522230 C 10/2005

(72) Inventors: **Michael C. Lambertson, Jr.**, Aurora, OH (US); **Joshua R. Robertson**, North Ridgeville, OH (US); **Yubing Lu**, Ningbo (CN)

(Continued)

(73) Assignee: **SWIMC LLC**, Cleveland, OH (US)

OTHER PUBLICATIONS

(**) Term: **15 Years**

“Disposable Liner”, https://www.amazon.com/Werner-AC27-L-Lock-Paint-Liner/dp/B003Z6QBPY/ref=asc_df_B003Z6QBPY/, (2014).

(21) Appl. No.: **29/786,523**

Primary Examiner — Michelle E. Wilson

(22) Filed: **Jun. 1, 2021**

Assistant Examiner — Richard E Yenchsky

(74) *Attorney, Agent, or Firm* — Tucker Ellis LLP

Related U.S. Application Data

(63) Continuation of application No. 29/726,239, filed on Mar. 2, 2020.

(51) **LOC (13) Cl.** **07-05**

(52) **U.S. Cl.**
USPC **D32/53**

(58) **Field of Classification Search**
USPC D3/304, 307, 315, 905; D7/603;
D21/532; D23/284, 288, 293; D32/37,
D32/53, 53.1, 54
CPC B44D 3/123; B44D 3/128; B44D 3/12;
B44D 3/126; B44D 3/127; B65D
2543/00092

See application file for complete search history.

(56) **References Cited**

U.S. PATENT DOCUMENTS

2,277,739 A * 3/1942 Worthington A45C 13/26
16/405
D245,450 S 8/1977 Donlon
4,101,046 A 7/1978 Puntillo
D270,961 S * 10/1983 Hawkins D32/53
D305,467 S * 1/1990 Dagge D32/53
D353,241 S * 12/1994 Breen D32/53
5,400,916 A * 3/1995 Weber B44D 3/126
15/257.05

(Continued)

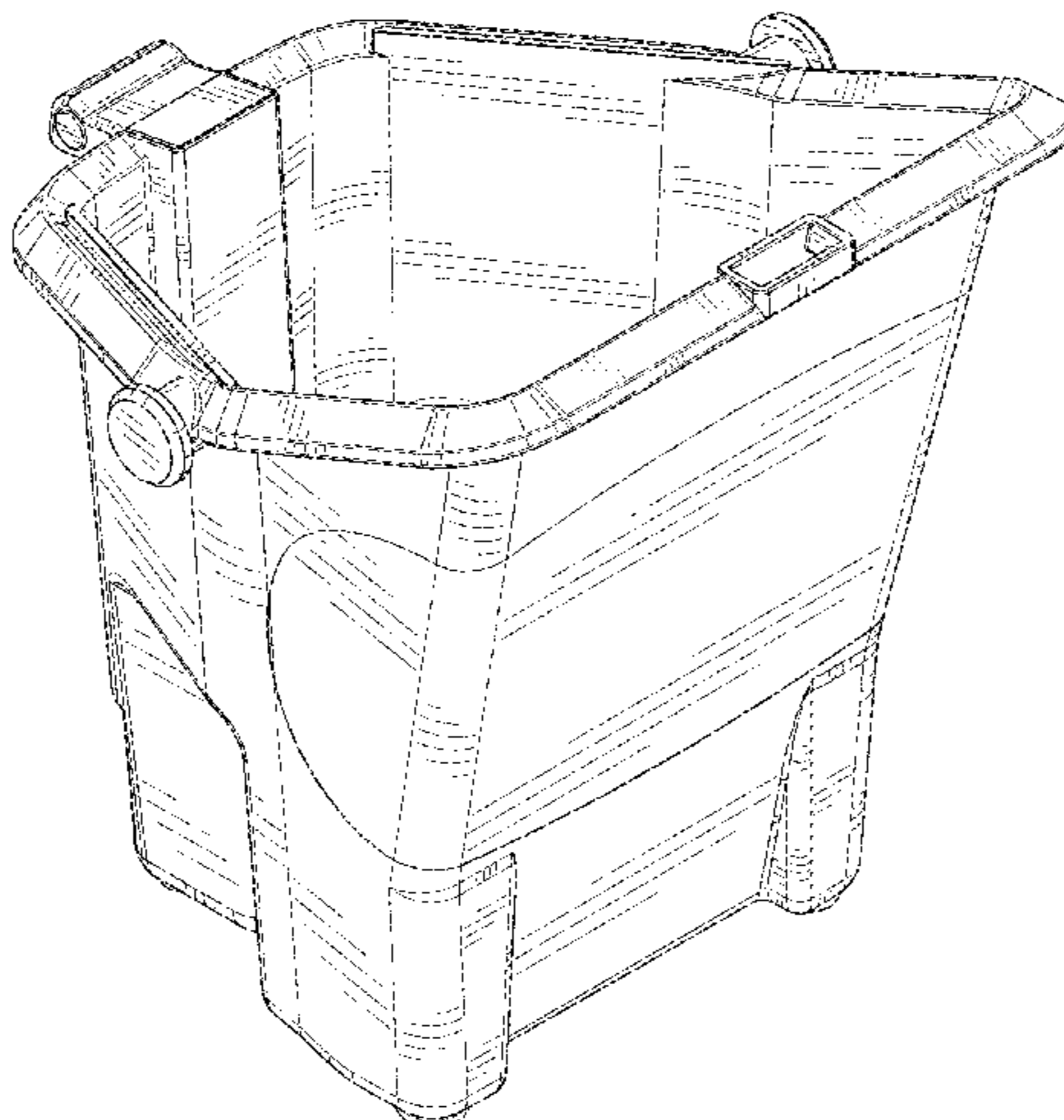
(57) **CLAIM**

The ornamental design for a coating material container, as shown and described.

DESCRIPTION

FIG. 1 is a top perspective view of an embodiment of a coating material container showing a new design; FIG. 2 is a bottom perspective view of the coating material container illustrated in FIG. 1. FIG. 3 is a front view of the coating material container illustrated in FIG. 1; FIG. 4 is a rear view of the coating material container illustrated in FIG. 1; FIG. 5 is a left side view of the coating material container illustrated in FIG. 1; FIG. 6 is a right side view of the coating material container illustrated in FIG. 1; FIG. 7 is a top view of the coating material container illustrated in FIG. 1; and, FIG. 8 is a bottom view of the coating material container illustrated in FIG. 1.

1 Claim, 8 Drawing Sheets



(56)

References Cited

U.S. PATENT DOCUMENTS

D364,017 S 11/1995 Moffitt
 5,549,216 A 8/1996 Scholl
 D395,531 S * 6/1998 Mandell D32/53
 RE35,933 E 10/1998 Scholl
 6,102,458 A 8/2000 Scace
 6,138,963 A 10/2000 Malvasio
 6,220,491 B1 4/2001 Wu
 D444,929 S 7/2001 Cox
 6,394,304 B1 5/2002 Bohne et al.
 D458,723 S 6/2002 Malvasio
 D460,845 S 7/2002 Bergman
 6,419,106 B1 7/2002 Bebak
 D461,608 S 8/2002 Davenport et al.
 6,530,496 B2 3/2003 Moran
 D472,684 S 4/2003 Bebak
 D477,702 S * 7/2003 Kohn D32/53.1
 6,708,838 B2 3/2004 Bergman et al.
 6,729,665 B1 5/2004 Posey et al.
 D493,035 S 7/2004 Bergman
 6,991,829 B2 1/2006 Bergman
 D527,153 S * 8/2006 Morad D32/53
 D528,706 S * 9/2006 Jefferson D30/108
 7,191,913 B2 3/2007 Byrne
 D544,669 S * 6/2007 Casteel D32/53
 D546,514 S * 7/2007 Byrne D32/53
 D549,913 S * 8/2007 Bergman D32/53
 7,387,323 B1 6/2008 Minnette et al.
 D581,118 S 11/2008 Bergman
 D581,119 S * 11/2008 Bergman D32/53.1
 7,527,164 B1 5/2009 Reichborn
 D604,471 S 11/2009 Bergman
 D607,624 S 1/2010 Bergman
 7,644,835 B2 1/2010 Bergman
 D617,517 S 6/2010 Bergman
 D627,119 S 11/2010 Bergman
 D634,907 S 3/2011 Bergman
 7,959,030 B2 6/2011 Bergman
 D643,983 S 8/2011 Lockwood et al.
 8,087,554 B2 1/2012 Gringer et al.
 D661,855 S 6/2012 Bergman et al.
 8,286,825 B2 10/2012 Billado, Jr.
 8,308,341 B2 11/2012 Garcia
 8,333,300 B2 12/2012 Diaz
 D678,638 S 3/2013 Bergman et al.
 8,505,788 B2 8/2013 Thibault
 D690,482 S 9/2013 Bergman et al.
 D692,198 S * 10/2013 Bergman D32/54
 8,550,285 B2 10/2013 Bergman et al.
 8,556,116 B2 10/2013 Bergman et al.
 8,608,019 B2 12/2013 Wren
 D697,281 S 1/2014 Bergman et al.
 8,636,171 B1 1/2014 Dattilo
 D702,907 S 4/2014 Bergman et al.
 8,919,604 B2 12/2014 Bergman et al.
 D723,235 S 2/2015 Bergman et al.
 D728,884 S 5/2015 Waffensmith et al.
 9,022,253 B2 5/2015 Oster et al.
 D738,057 S 9/2015 Arvinte et al.
 D744,186 S 11/2015 Gringer et al.
 D744,711 S 12/2015 Gringer et al.
 D756,049 S 5/2016 Arvinte et al.
 D756,583 S 5/2016 Arvinte et al.
 D761,511 S 7/2016 Malvasio
 D762,033 S * 7/2016 Gooden D32/53
 9,409,200 B2 8/2016 Bergman et al.
 9,415,901 B2 8/2016 Beckman et al.
 D783,917 S 4/2017 Gringer et al.
 D785,268 S 4/2017 Gringer et al.
 D794,892 S * 8/2017 Bergman D32/53.1

D796,140 S * 8/2017 Bergman D32/53.1
 D799,371 S * 10/2017 Chan D11/216
 D804,124 S 11/2017 Sagastume
 D832,544 S 10/2018 Bergman et al.
 D836,876 S * 12/2018 Bergman D32/53.1
 D838,072 S 1/2019 Bergman et al.
 D845,572 S 4/2019 Pollard
 10,266,306 B2 4/2019 Bergman
 D861,274 S 9/2019 Mitchell
 D866,900 S 11/2019 Bergman et al.
 D867,708 S * 11/2019 Bergman D32/53.1
 10,501,989 B1 12/2019 McDonough et al.
 D877,438 S 3/2020 Holding et al.
 D887,097 S 6/2020 Holding et al.
 D887,660 S * 6/2020 Bergman D32/54
 D908,999 S * 1/2021 Lambertson, Jr. D32/53.1
 D916,411 S * 4/2021 Læenner D32/53
 D927,815 S * 8/2021 Lambertson, Jr. D32/53
 D933,921 S * 10/2021 Nelson D32/53
 2002/0036206 A1 * 3/2002 Bergman B05C 11/10
 220/754
 2003/0184103 A1 10/2003 Cauchy
 2004/0206761 A1 10/2004 Frantz
 2006/0065668 A1 3/2006 Whitaker et al.
 2006/0175362 A1 8/2006 Gringer et al.
 2006/0201951 A1 9/2006 Cingel
 2006/0226154 A1 10/2006 Lundy et al.
 2006/0243732 A1 * 11/2006 Bergman B44D 3/126
 220/757
 2007/0012705 A1 1/2007 Bergman
 2007/0295768 A1 12/2007 Gringer et al.
 2008/0223810 A1 9/2008 Garcia
 2008/0251525 A1 10/2008 Fontaine et al.
 2010/0140275 A1 6/2010 Billado, Jr.
 2011/0163104 A1 7/2011 Hagen
 2011/0315700 A1 12/2011 Macdonald et al.
 2013/0119064 A1 5/2013 MacKay et al.
 2013/0175281 A1 7/2013 Dattilo
 2013/0341341 A1 12/2013 Giedroyce
 2014/0043732 A1 2/2014 McKay et al.
 2015/0217595 A1 8/2015 Piatek et al.
 2015/0298496 A1 10/2015 Payne
 2016/0229591 A1 8/2016 Bajuyo
 2017/0057697 A1 3/2017 Fee et al.
 2017/0113838 A1 4/2017 Bergman
 2017/0129277 A1 5/2017 Rogowski et al.
 2017/0253380 A1 9/2017 Boyer et al.
 2018/0043731 A1 2/2018 Cheng
 2018/0043732 A1 2/2018 Gringer et al.
 2019/0217991 A1 7/2019 Bergman et al.
 2020/0276859 A1 9/2020 Lambertson, Jr. et al.

FOREIGN PATENT DOCUMENTS

CA 2800172 C 10/2005
 CA 2800164 C 4/2006
 CA 2508552 A1 10/2006
 CA 2959636 A1 3/2017
 DE 60127156 T2 11/2007
 EP 1792834 A2 6/2007
 EP 1332095 B1 7/2007
 EP 2565049 A1 6/2013
 EP 3213655 A1 6/2017
 GB 881203 11/1961
 GB 1190428 5/1970
 GB 2404608 A 9/2005
 WO 9118810 A1 12/1991
 WO 0027719 A1 5/2000
 WO 0224537 A1 3/2002
 WO 2010036606 A1 4/2010

* cited by examiner

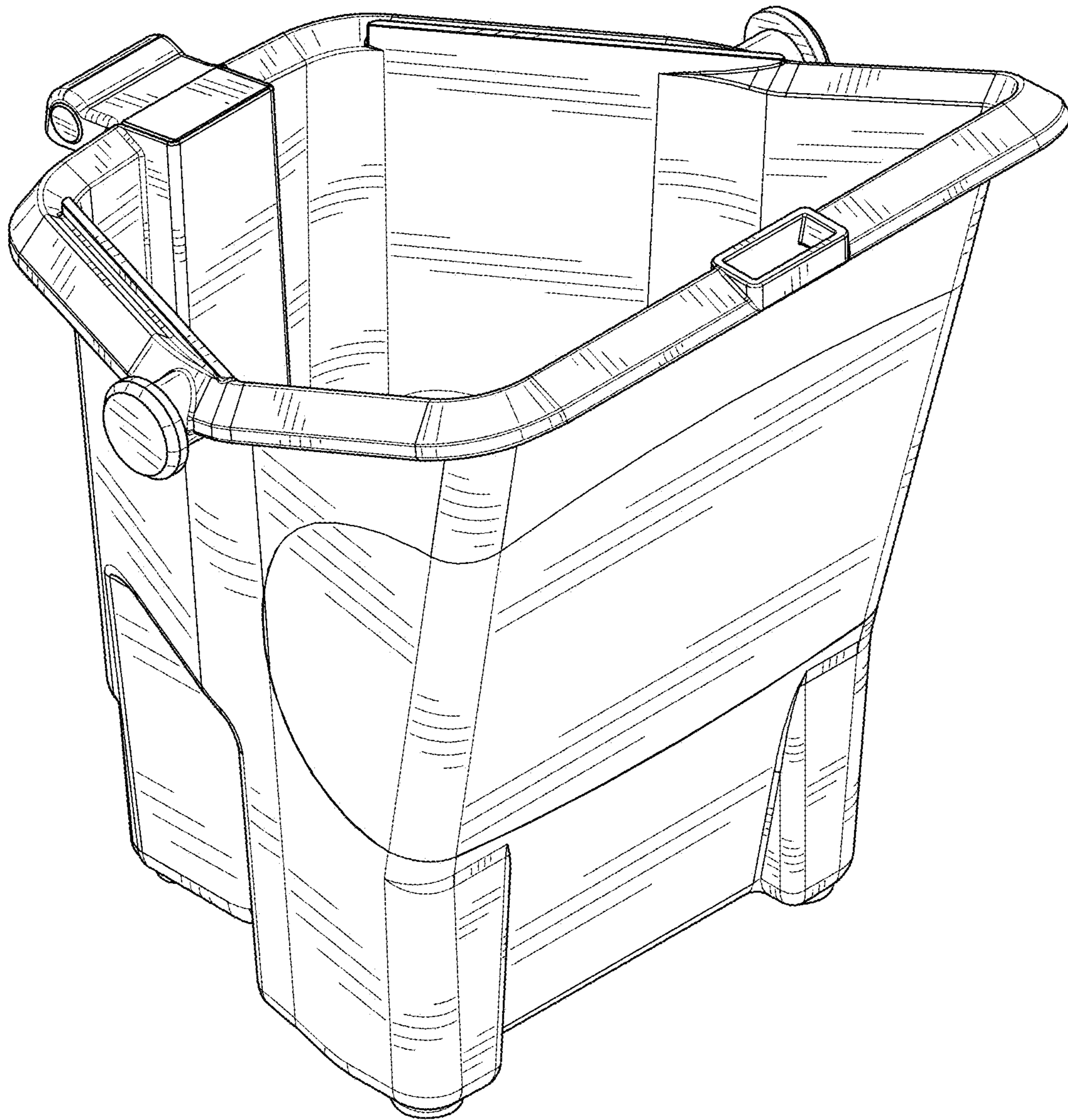


FIG. 1

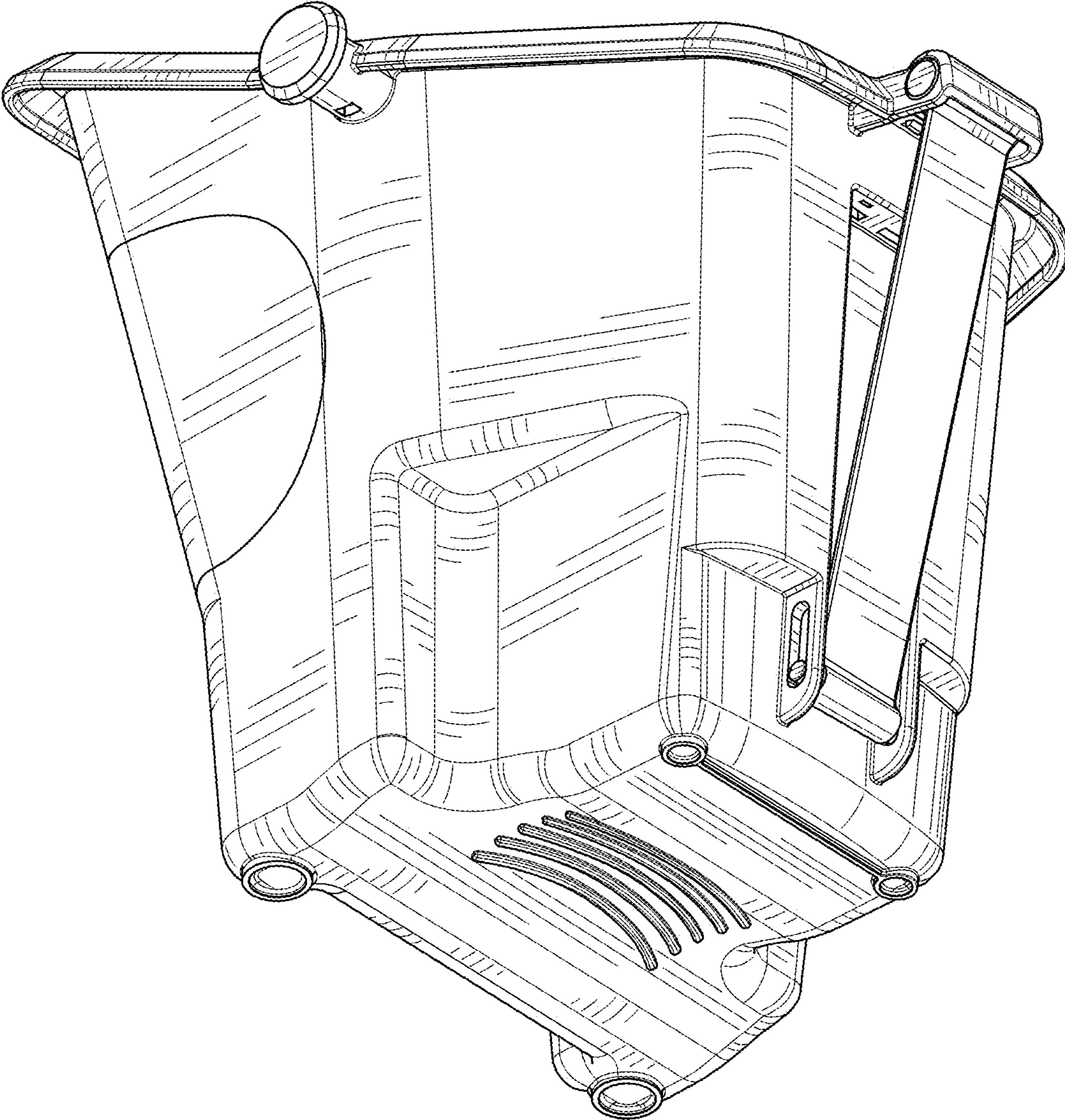


FIG. 2

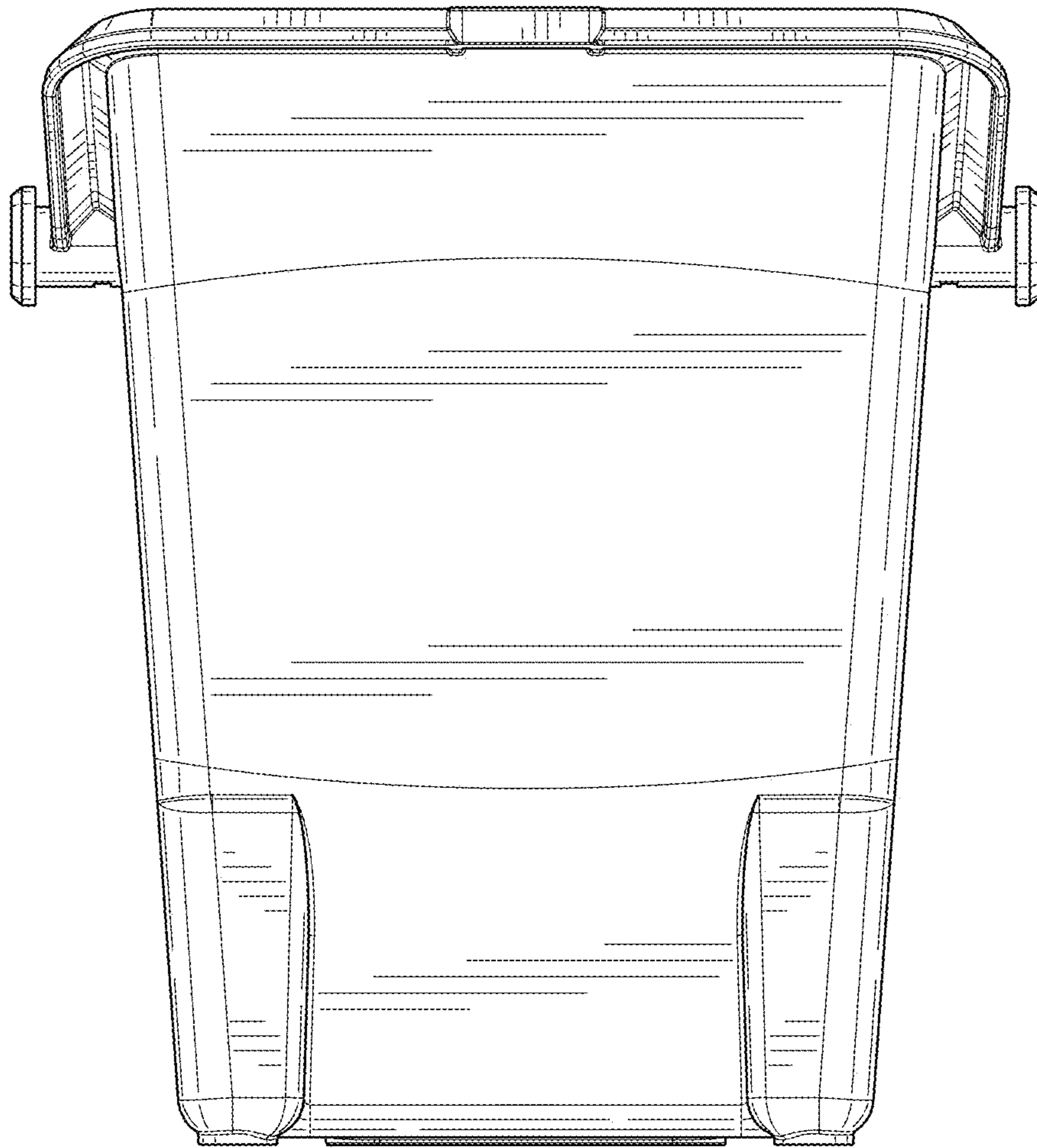


FIG. 3

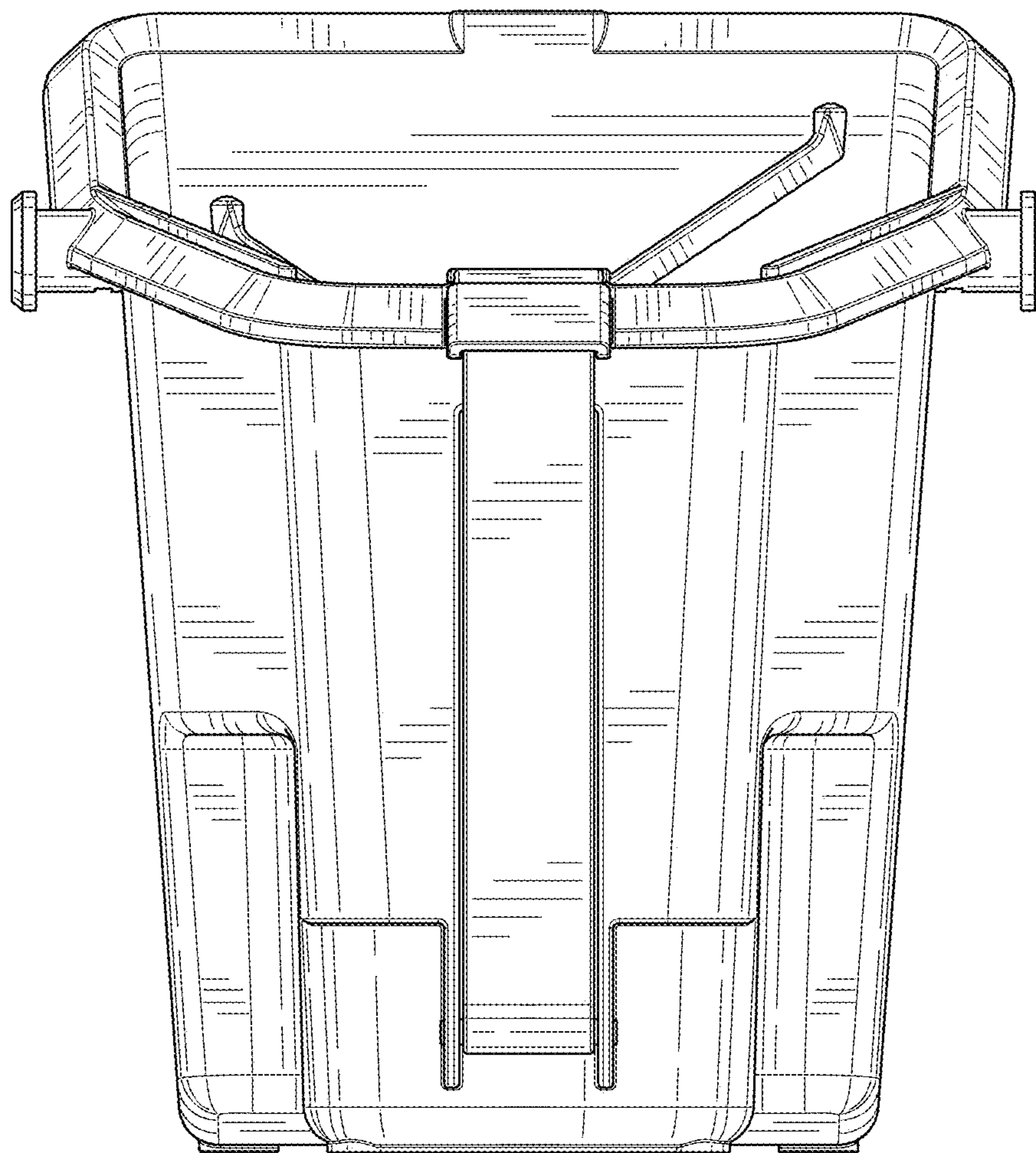


FIG. 4

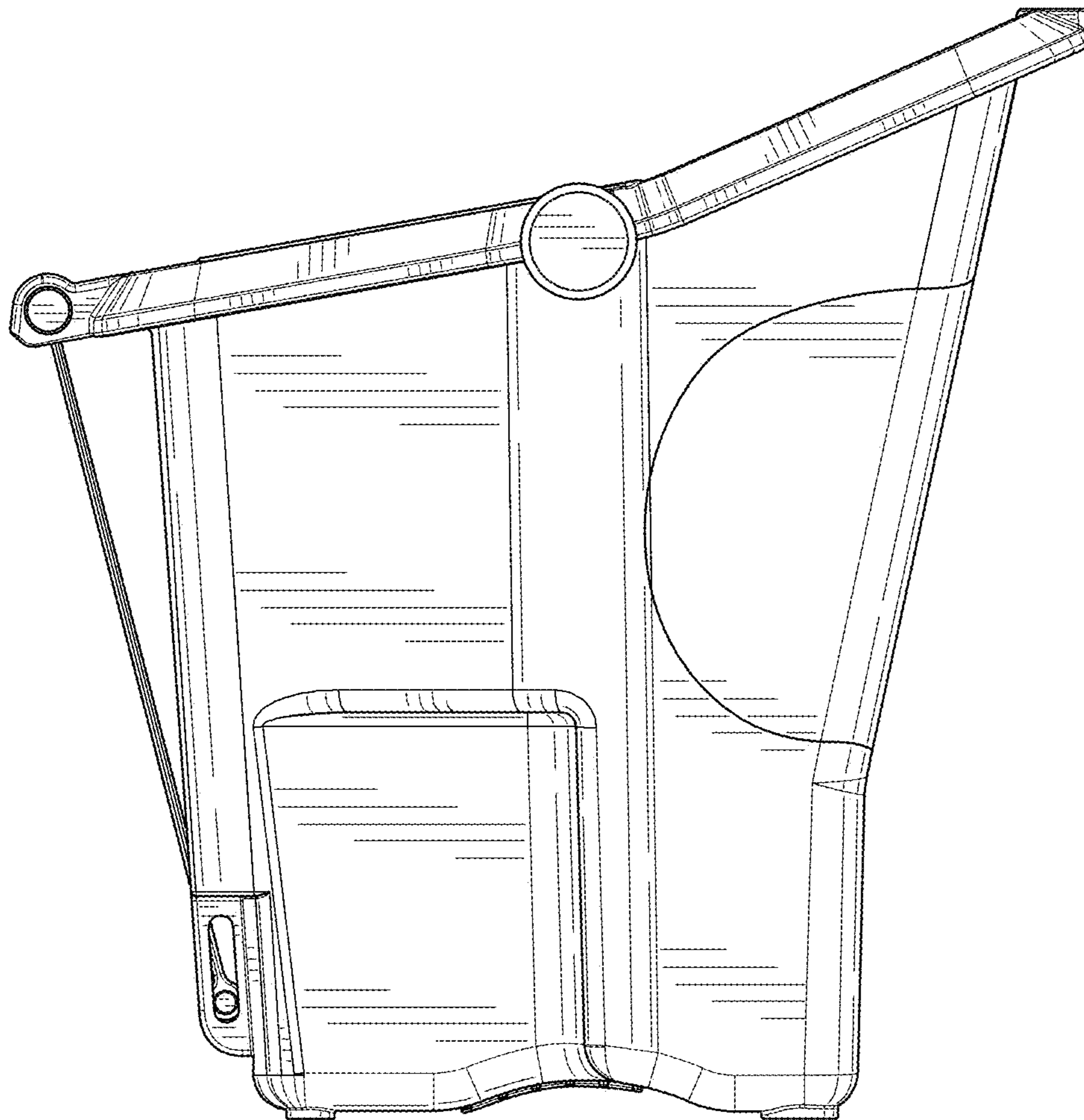


FIG. 5

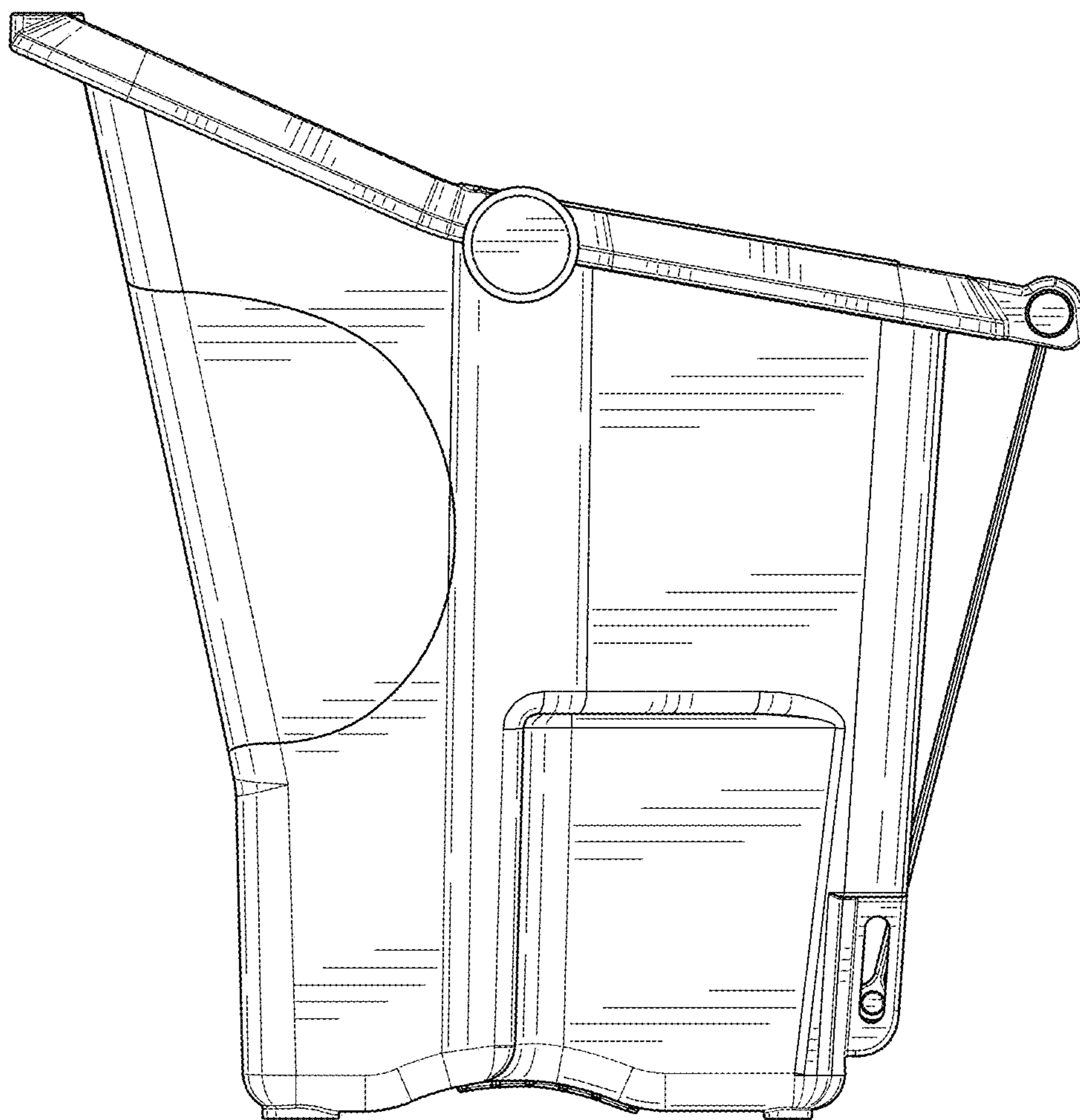


FIG. 6

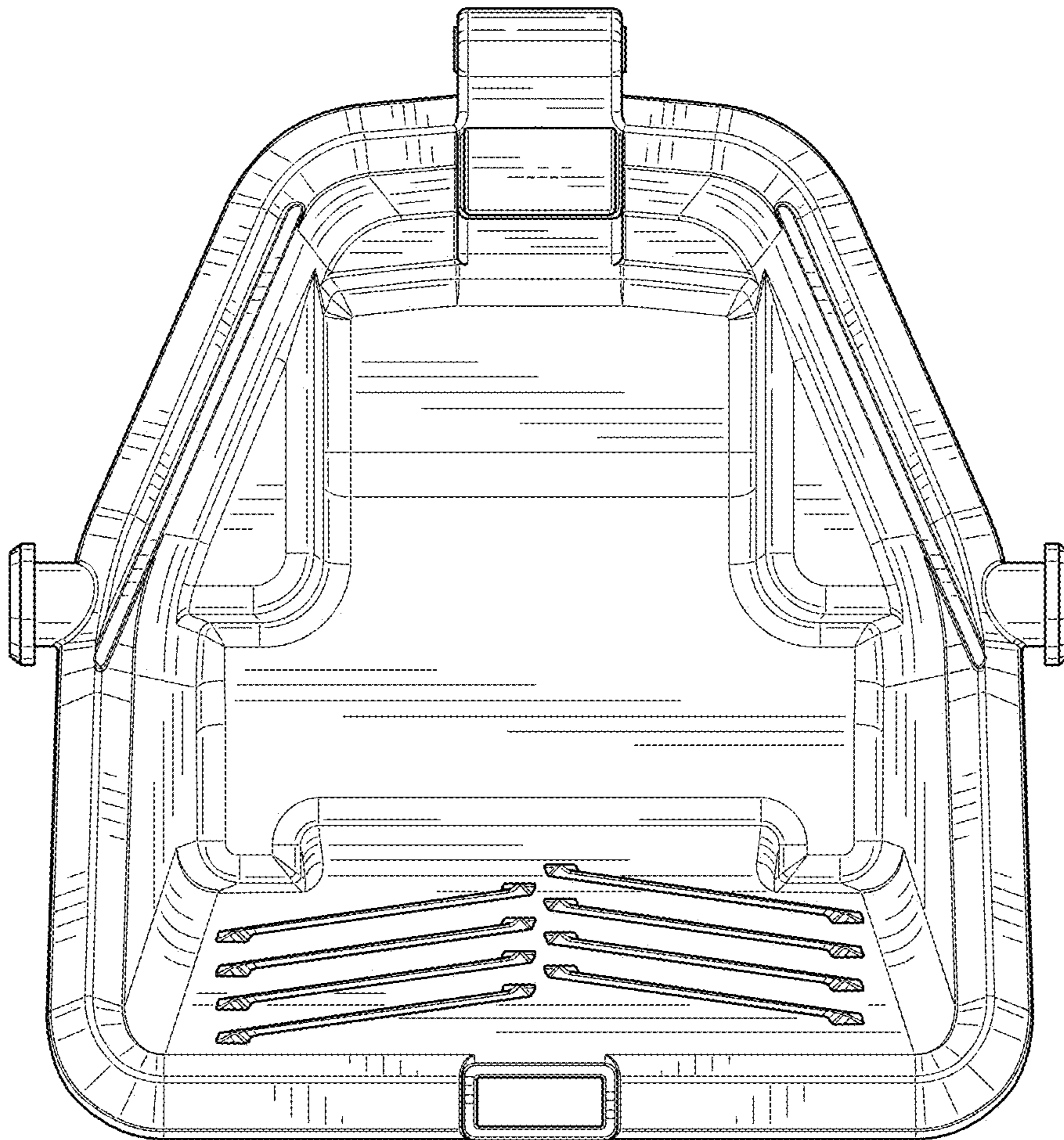


FIG. 7

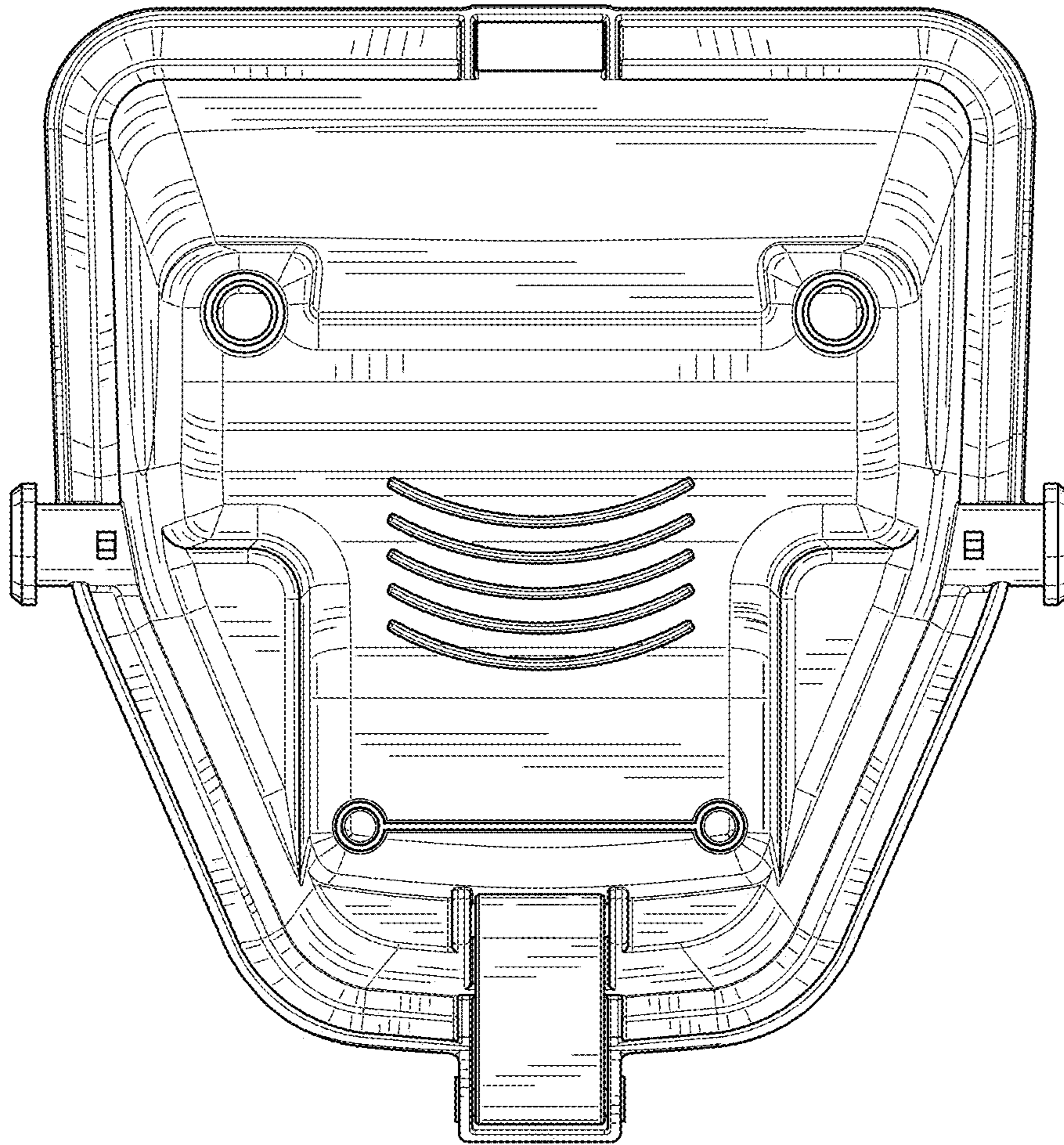


FIG. 8